

US00D690038S

(12) **United States Design Patent**  
**Colbert, Jr.**

(10) **Patent No.:** **US D690,038 S**  
(45) **Date of Patent:** **\*\* Sep. 17, 2013**

(54) **LIGHTED TREE WRAP**

D603,535 S \* 11/2009 Sterijevski ..... D26/25  
D616,577 S \* 5/2010 Gierveld ..... D26/25  
2004/0136191 A1 7/2004 Bluford

(76) Inventor: **James Colbert, Jr.**, Montgomery, IL  
(US)

**OTHER PUBLICATIONS**

Tree Trunk Wrap Set—150 Lights 2'x8' LED Pure White/Green Wire  
Wid ..... [http://www.google.com/products/catalog?q=lighted+tree+trunk+wrap&hl=en&prmd=imvns&bav=on.2,or.r\\_gc.r\\_pw.,cf.osb&biw=1280&bih=699&um=1&ie=UTF-8&tbn=shop&cid=12123183841546244077&sa=X&ei=fD3pTu3ZKpC\\_gAfs7OHUCA&ved=0CHkQ8wlwAQ](http://www.google.com/products/catalog?q=lighted+tree+trunk+wrap&hl=en&prmd=imvns&bav=on.2,or.r_gc.r_pw.,cf.osb&biw=1280&bih=699&um=1&ie=UTF-8&tbn=shop&cid=12123183841546244077&sa=X&ei=fD3pTu3ZKpC_gAfs7OHUCA&ved=0CHkQ8wlwAQ).  
2'x8' Warm Clear LED Net Style Tree Trunk Wrap Christmas Light.  
[http://www.google.com/products/catalog?q=lighted+tree+trunk+wrap&hl=en&prmd=imvns&bav=on.2,or.r\\_gc.r\\_pw.,cf.osb&biw=1280&bih=699&um=1&ie=UTF-8&tbn=shop&cid=4423828204879327826&sa=X&ei=fD3pTu3ZKpC\\_gAfs7OHUCA&ved=0CHQQ8wlwAA](http://www.google.com/products/catalog?q=lighted+tree+trunk+wrap&hl=en&prmd=imvns&bav=on.2,or.r_gc.r_pw.,cf.osb&biw=1280&bih=699&um=1&ie=UTF-8&tbn=shop&cid=4423828204879327826&sa=X&ei=fD3pTu3ZKpC_gAfs7OHUCA&ved=0CHQQ8wlwAA).

(\*\*) Term: **14 Years**

(21) Appl. No.: **29/428,328**

(22) Filed: **Jul. 30, 2012**

(51) **LOC (9) Cl.** ..... **26-03**

(52) **U.S. Cl.**  
USPC ..... **D26/25**

(58) **Field of Classification Search**  
USPC ..... D26/24, 25, 27, 57, 94, 101, 7, 73,  
D26/125, 127; D11/117, 118, 121, 124,  
D11/125, 108, 70; D20/10; 362/605, 551,  
362/554, 556, 559, 564, 565, 566, 567, 568,  
362/121, 122, 123, 249.14, 249.15, 249.16,  
362/249.17, 249.18, 249.19, 806, 807, 812,  
362/145

See application file for complete search history.

\* cited by examiner

*Primary Examiner* — Brian N Vinson  
(74) *Attorney, Agent, or Firm* — Montgomery Patent &  
Design; Robert C. Montgomery

(57) **CLAIM**

The ornamental design for a lighted tree wrap, as shown and described.

**DESCRIPTION**

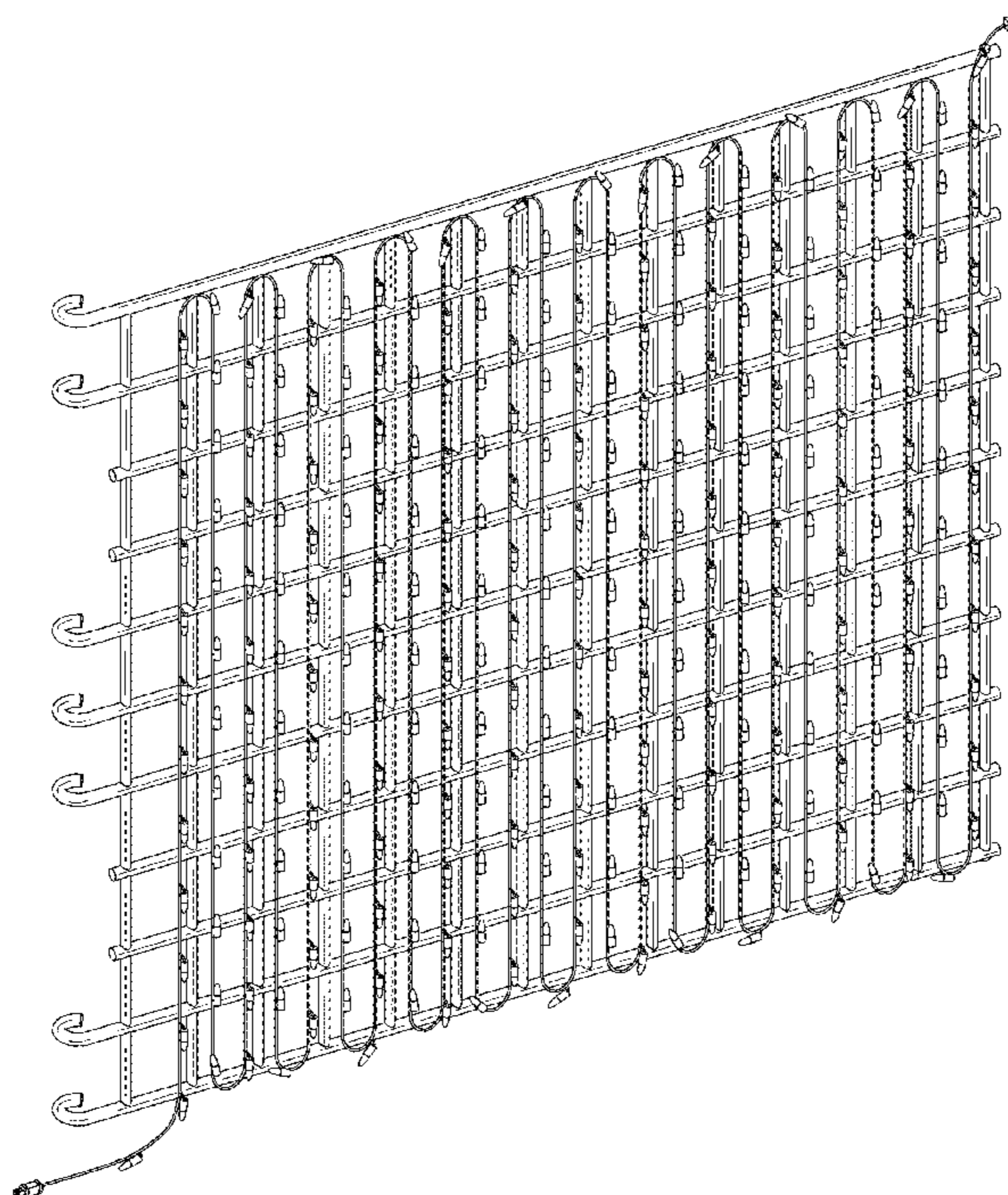
FIG. 1 is a perspective front view of a lighted tree wrap, showing my new design;  
FIG. 2 is a front view thereof;  
FIG. 3 is a rear view thereof;  
FIG. 4 is a left side view thereof;  
FIG. 5 is a right side view thereof;  
FIG. 6 is a top view thereof; and,  
FIG. 7 is a bottom view thereof.

(56) **References Cited**

**U.S. PATENT DOCUMENTS**

3,096,943	A	7/1963	Ferrer	
5,213,409	A	5/1993	Fisher	
5,601,361	A	2/1997	Lawrence	
5,662,409	A	9/1997	Huang	
D450,400	S *	11/2001	Chang	D26/25
6,402,336	B1	6/2002	Reese	
D477,426	S *	7/2003	Koval	D26/25
D482,806	S *	11/2003	Lofton	D26/25
D536,803	S *	2/2007	Welhouse	D26/25

**1 Claim, 5 Drawing Sheets**



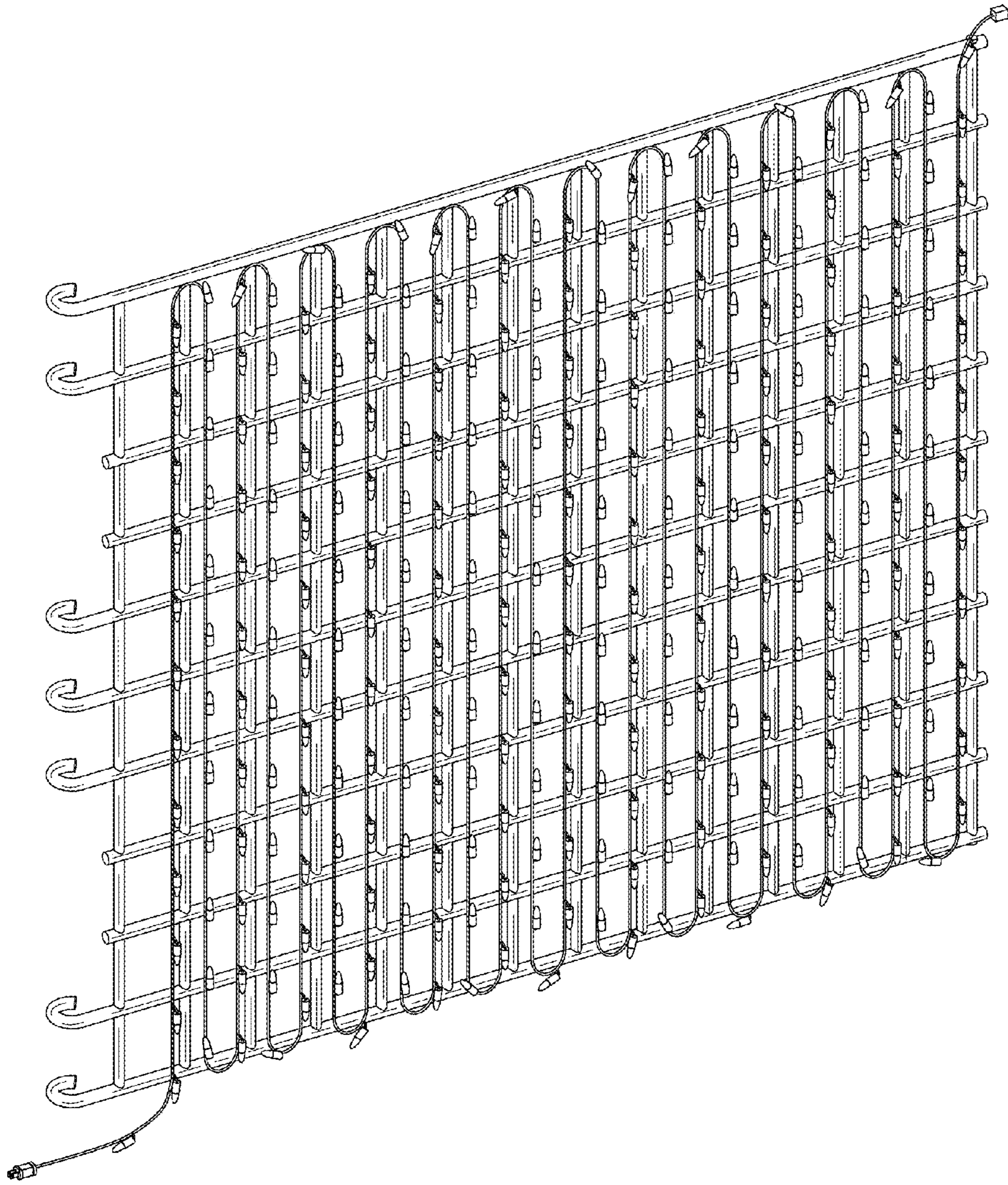


Fig. 1

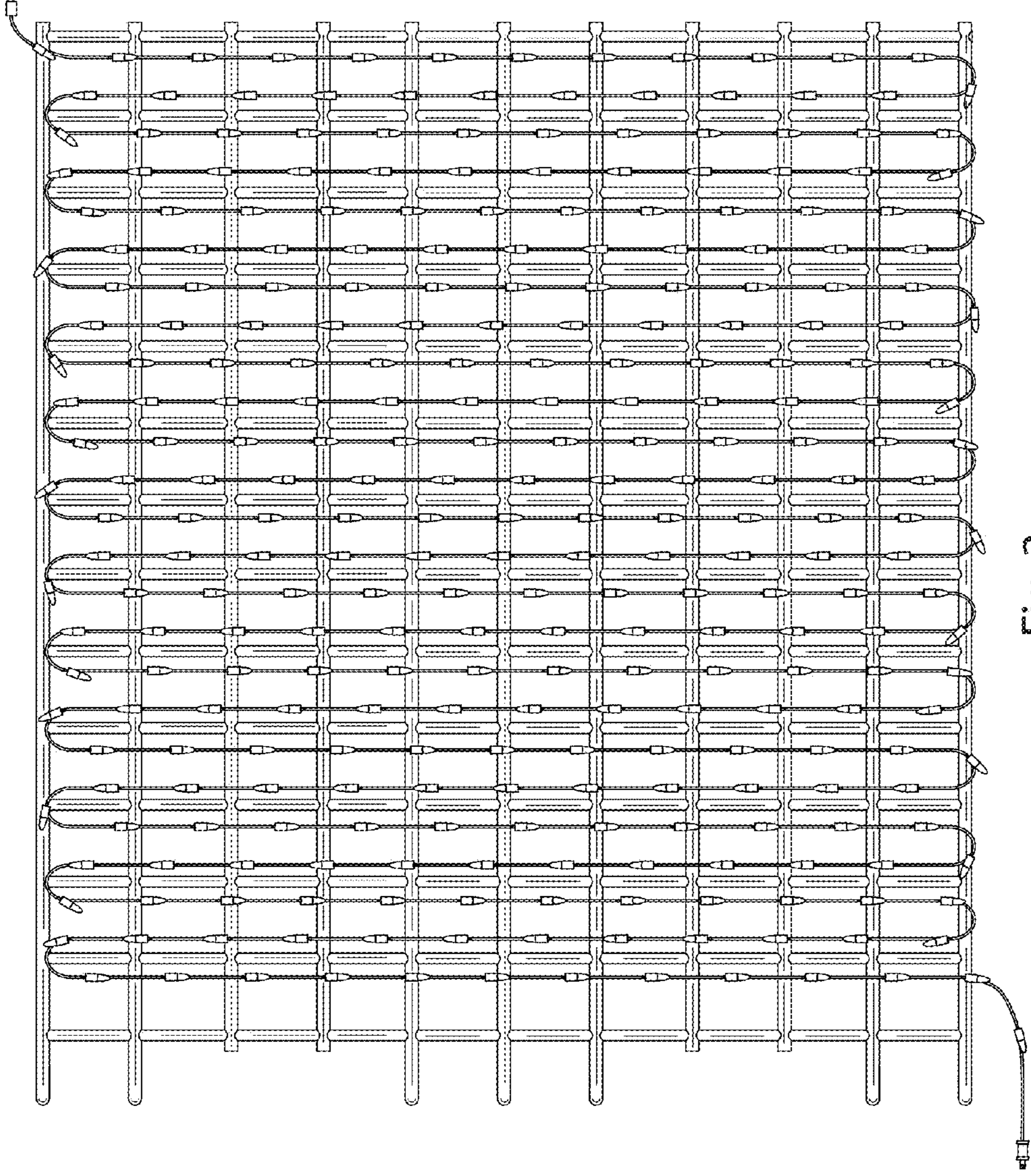


Fig. 2

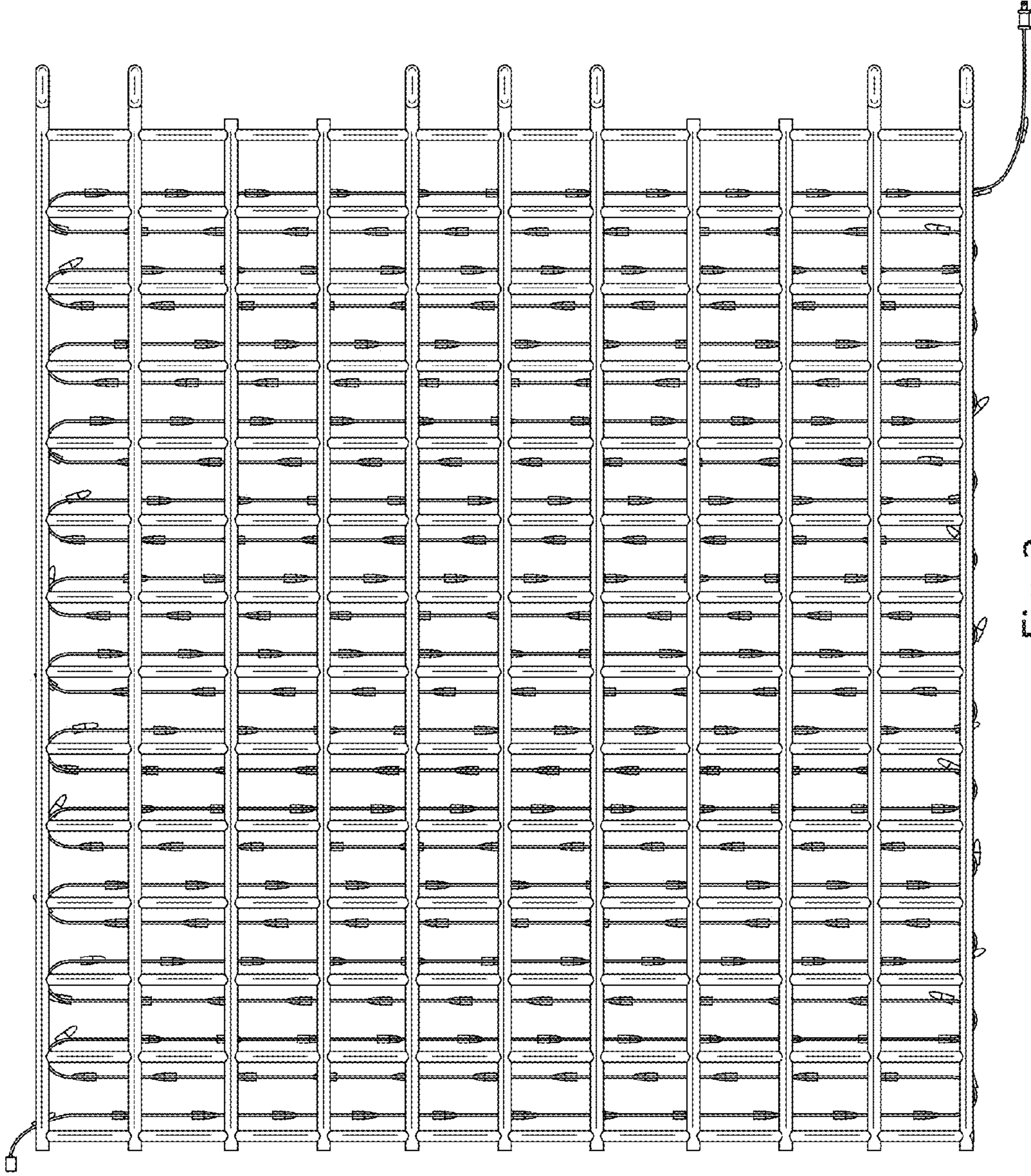


Fig. 3

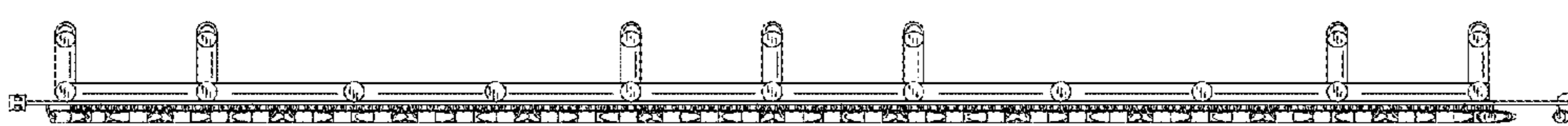


Fig. 5

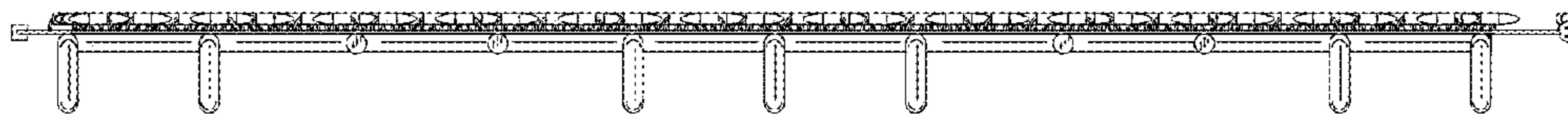


Fig. 4

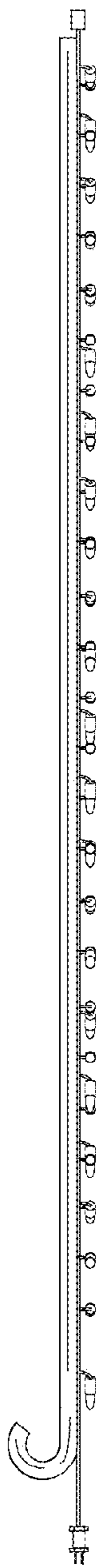


Fig. 6

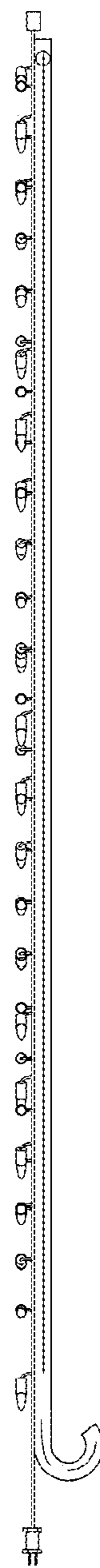


Fig. 7