

US00D690028S

(12) **United States Design Patent**
Tsukiji

(10) **Patent No.:** **US D690,028 S**

(45) **Date of Patent:** **** Sep. 17, 2013**

(54) **TRAY FOR CONVEYING MEDICAL VIALS**

(71) Applicant: **Daikyo Seiko, Ltd.**, Tokyo (JP)

(72) Inventor: **Daisuke Tsukiji**, Tokyo (JP)

(73) Assignee: **Daikyo Seiko, Ltd.**, Sumida-Ku, Tokyo (JP)

(**) Term: **14 Years**

(21) Appl. No.: **29/437,896**

(22) Filed: **Nov. 21, 2012**

(30) **Foreign Application Priority Data**

May 23, 2012 (JP) 2012-012081

(51) **LOC (9) Cl.** **24-02**

(52) **U.S. Cl.**
USPC **D24/227**

(58) **Field of Classification Search**

USPC D24/108, 127-130, 216, 224, 227-232;
206/446, 443; 211/74, 70.1, 72; 220/519;
356/246, 244; 422/102, 104, 63-64, 250,
422/266, 297, 300, 476, 527, 552-553;
73/864.91; 435/288.4; D19/37

See application file for complete search history.

(56) **References Cited**

U.S. PATENT DOCUMENTS

D265,126	S	*	6/1982	Beall	D24/230
D284,700	S	*	7/1986	Mehra et al.	D24/229
4,684,250	A	*	8/1987	Kukka et al.	356/246
5,048,957	A	*	9/1991	Berthold et al.	356/246
5,417,923	A	*	5/1995	Bojanic et al.	422/527
5,487,872	A	*	1/1996	Hafeman et al.	422/553
5,710,381	A	*	1/1998	Atwood et al.	73/864.91
5,916,526	A	*	6/1999	Robbins	422/552
D414,271	S	*	9/1999	Mendoza	D24/224
5,972,694	A	*	10/1999	Mathus	435/288.4

D420,743	S	*	2/2000	Monks	D24/224
D448,854	S	*	10/2001	Kuiper et al.	D24/230
D461,554	S	*	8/2002	Lafond et al.	D24/230
D466,219	S	*	11/2002	Wynschenk et al.	D24/227
D469,544	S	*	1/2003	Lafond et al.	D24/224
6,558,631	B1	*	5/2003	Day	422/552
6,884,615	B2	*	4/2005	Suzuki et al.	435/288.4
D506,833	S	*	6/2005	Wescott, III	D24/230
D533,948	S	*	12/2006	Schaub et al.	D24/229

(Continued)

Primary Examiner — T. Chase Nelson

Assistant Examiner — Mark Cavanna

(74) *Attorney, Agent, or Firm* — Chapman and Cutler LLP

(57) **CLAIM**

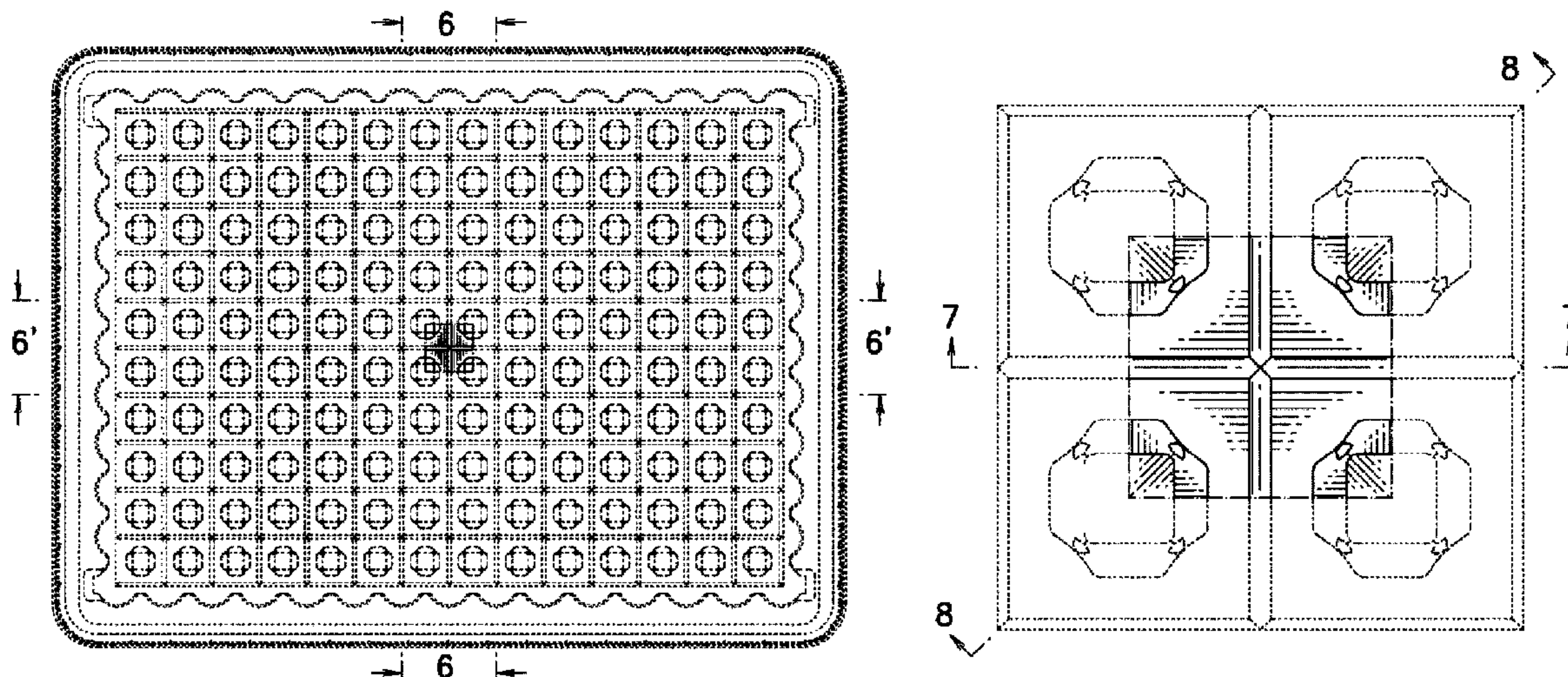
The ornamental design for a tray for conveying medical vials, as shown and described.

DESCRIPTION

FIG. 1 is a front elevational view of the tray for conveying medical vials of the present invention; FIG. 2 is a rear elevational view thereof; FIG. 3 is a top plan view thereof, the bottom plan view being identical thereto; FIG. 4 is a right side view thereof, the left side view being identical thereto; FIG. 5 is a front perspective view thereof; FIG. 6 is an enlarged view of the portion thereof defined by lines 6-6 and 6'-6' in FIG. 1; FIG. 7 is a sectional view taken along line 7-7 in FIG. 6; FIG. 8 is a perspective sectional view taken along line 8-8 in FIG. 6; and, FIG. 9 is an elevational sectional view taken along line 8-8 in FIG. 6.

The broken lines are for the purpose of illustrating environmental structure only and form no part of the claimed design. The broken lines show the claimed design in an environmental structure in FIGS. 1-9, and in a state of use in FIG. 9.

1 Claim, 9 Drawing Sheets



(56)

References Cited

U.S. PATENT DOCUMENTS

7,347,977 B2 * 3/2008 Guelzow et al. 422/553
D574,506 S * 8/2008 Monks D24/224
D576,208 S * 9/2008 Quercetti D19/37
D598,128 S * 8/2009 Pihl et al. D24/227
D601,713 S * 10/2009 Lohn et al. D24/226
D601,714 S * 10/2009 Lohn et al. D24/226
D605,303 S * 12/2009 Monks D24/224
D608,013 S * 1/2010 Coulling et al. D24/224
D620,605 S * 7/2010 Reitze D24/227

D622,860 S * 8/2010 Karpiloff D24/230
D632,404 S * 2/2011 Karpiloff D24/230
D638,138 S * 5/2011 Wong D24/227
D639,447 S * 6/2011 Karpiloff D24/230
D645,156 S * 9/2011 Reitze D24/227
D673,294 S * 12/2012 Motadel D24/227
2006/0016156 A1 1/2006 Bush et al.
2007/0157564 A1 7/2007 Vander Bush et al.
2009/0100802 A1 4/2009 Bush et al.
2009/0288977 A1 11/2009 Vanderbush et al.

* cited by examiner

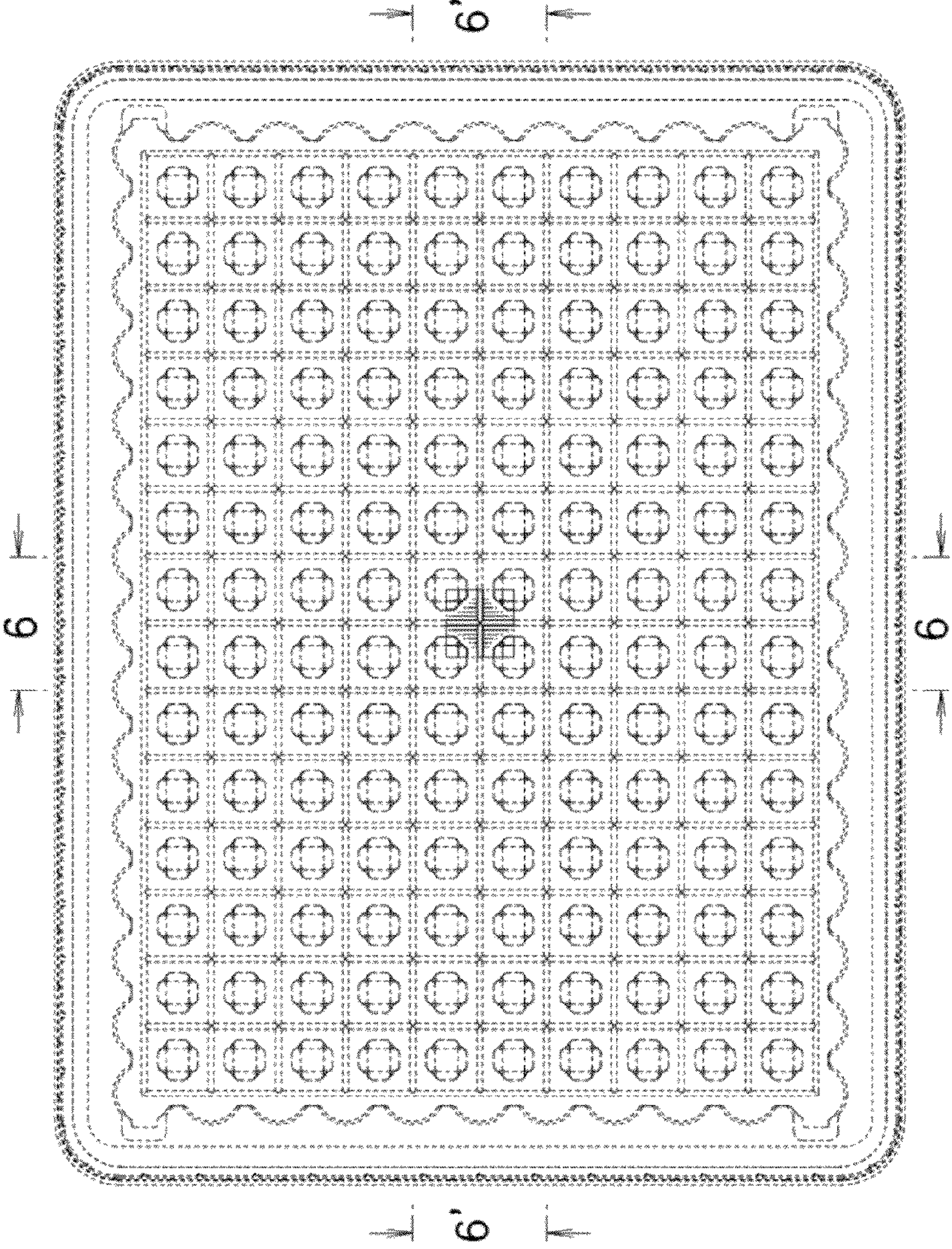


FIG. 1

FIG. 2

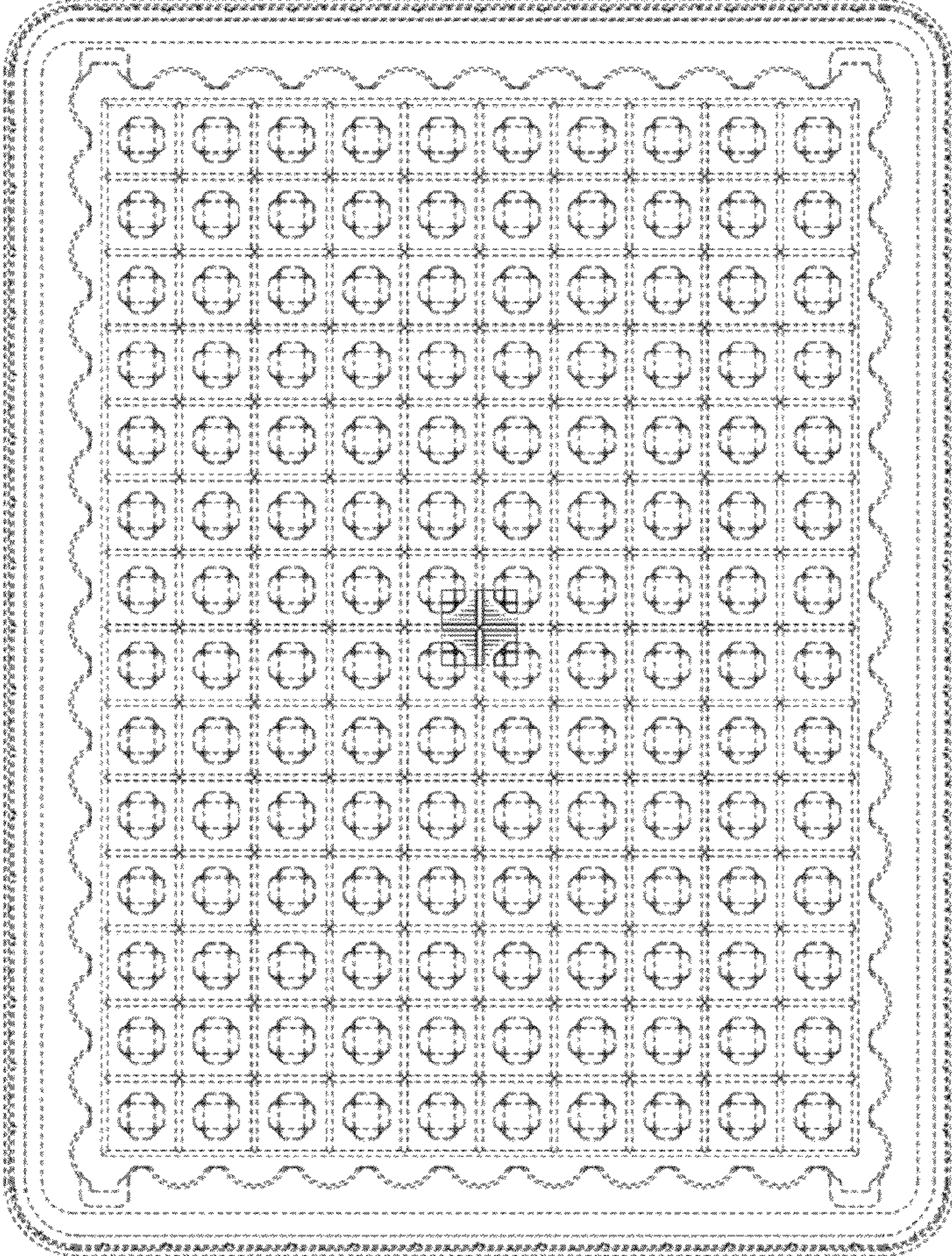
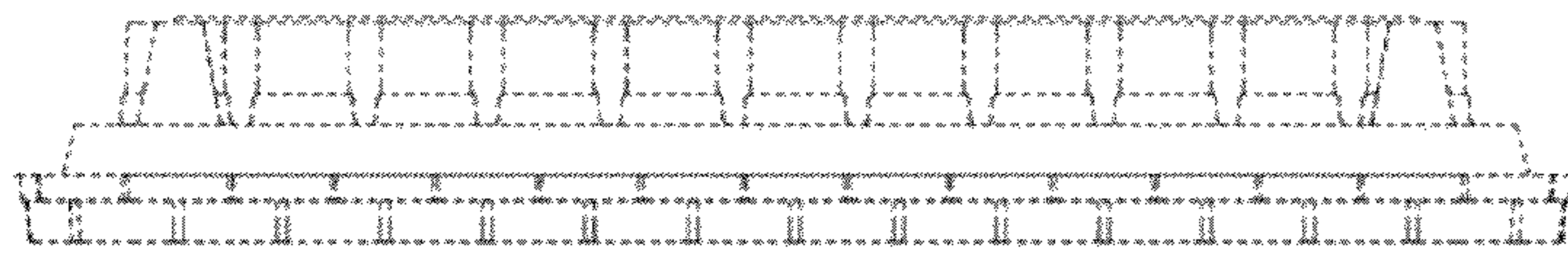


FIG. 3



FIG. 4



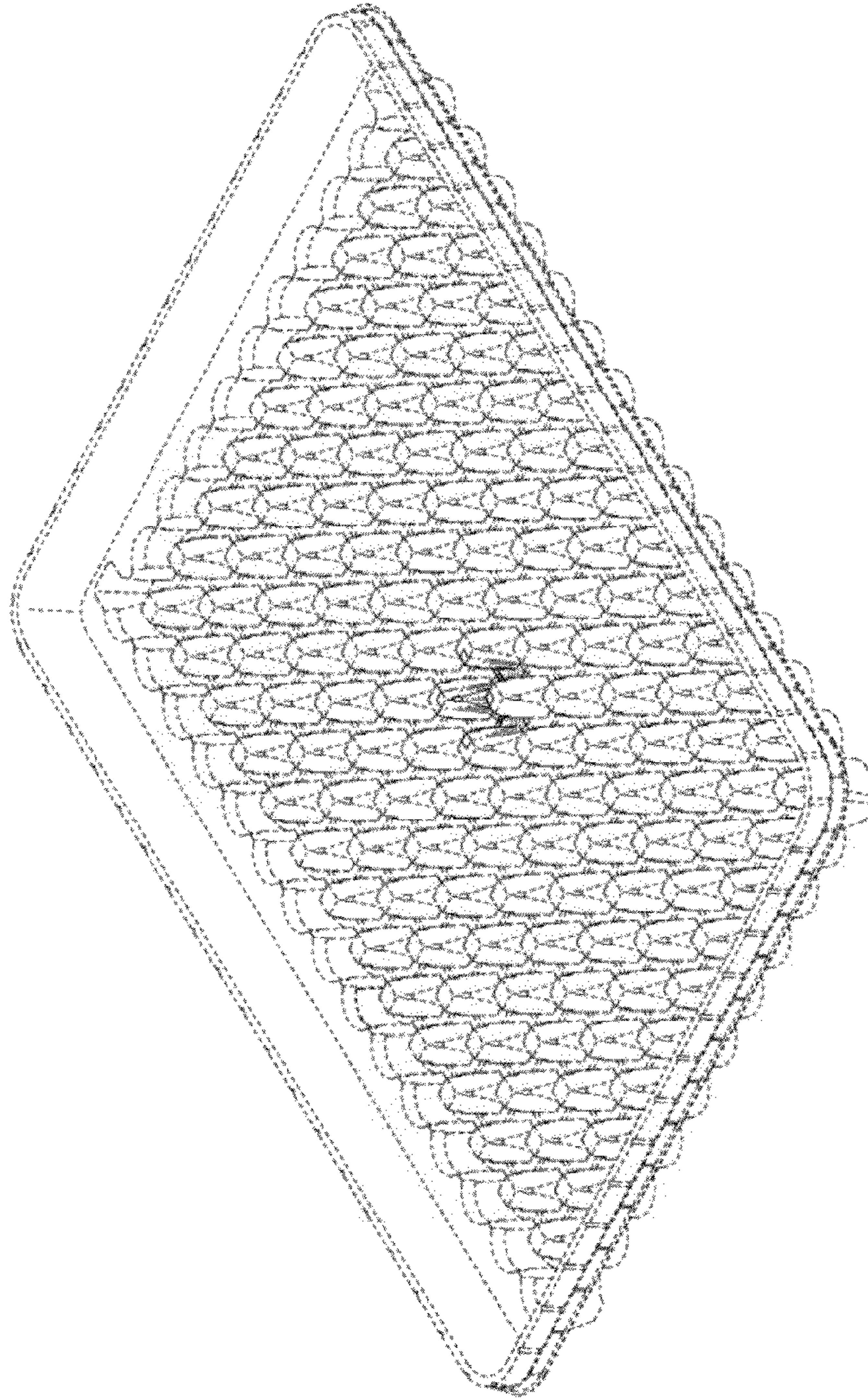


FIG. 5

FIG. 6

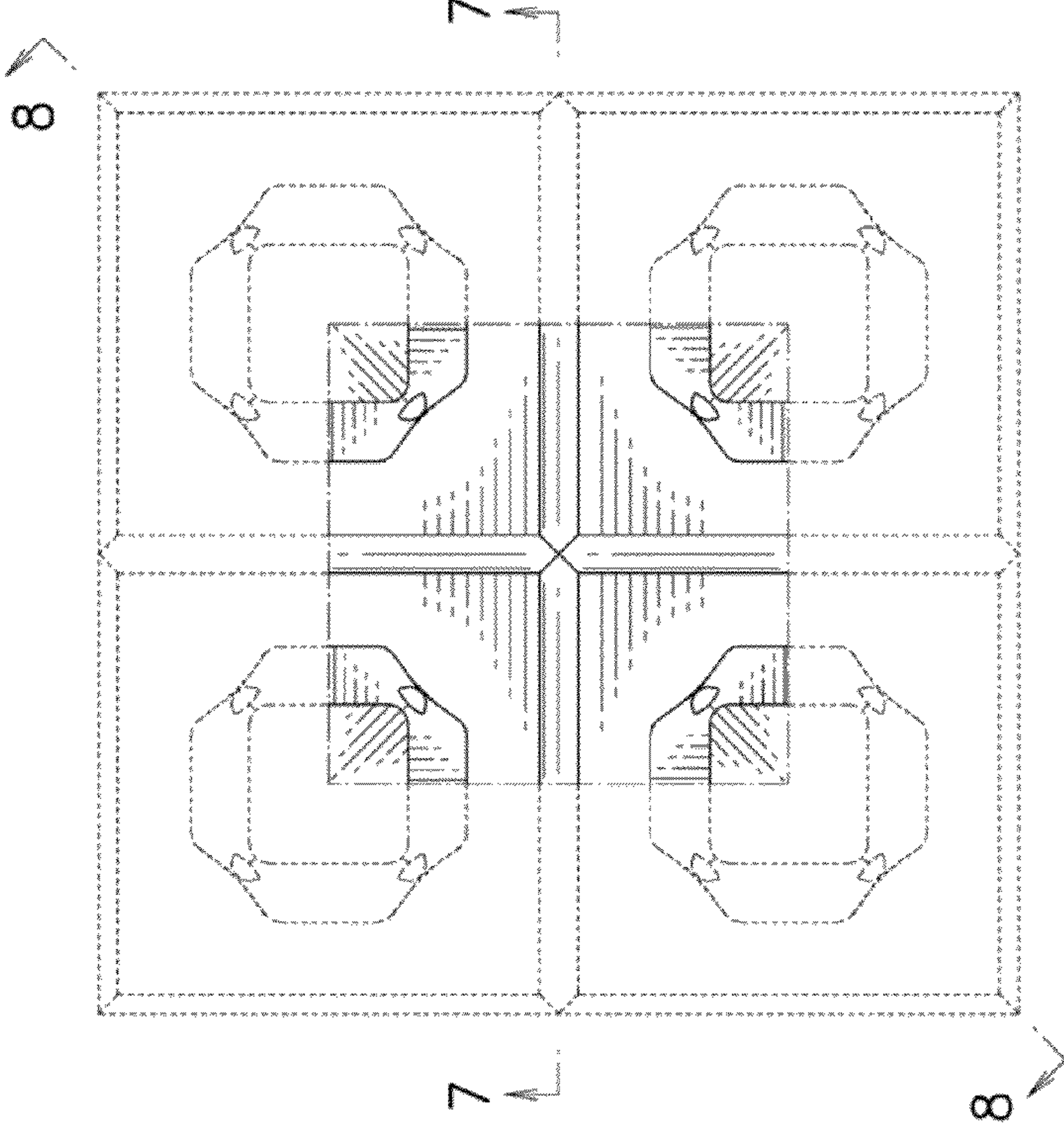


FIG. 7

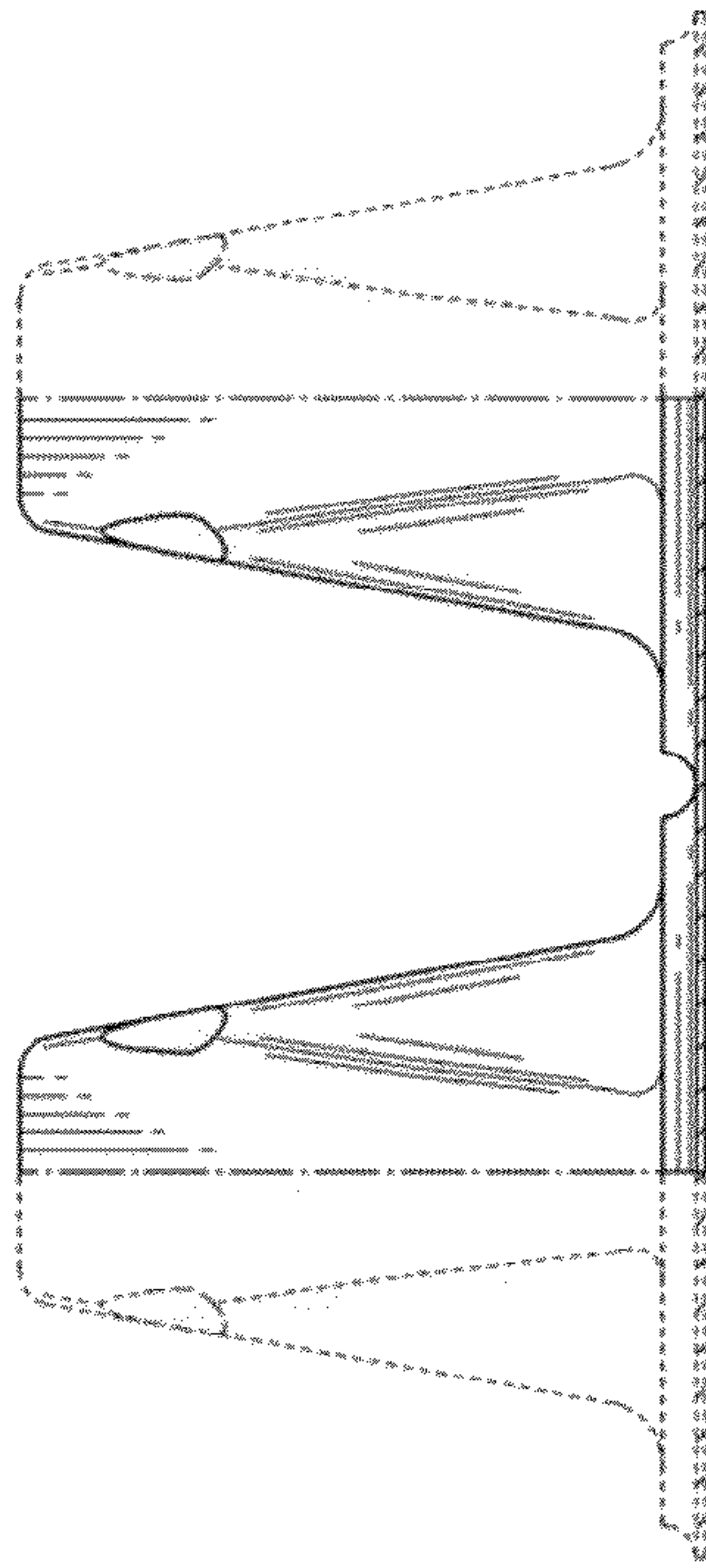


FIG. 8

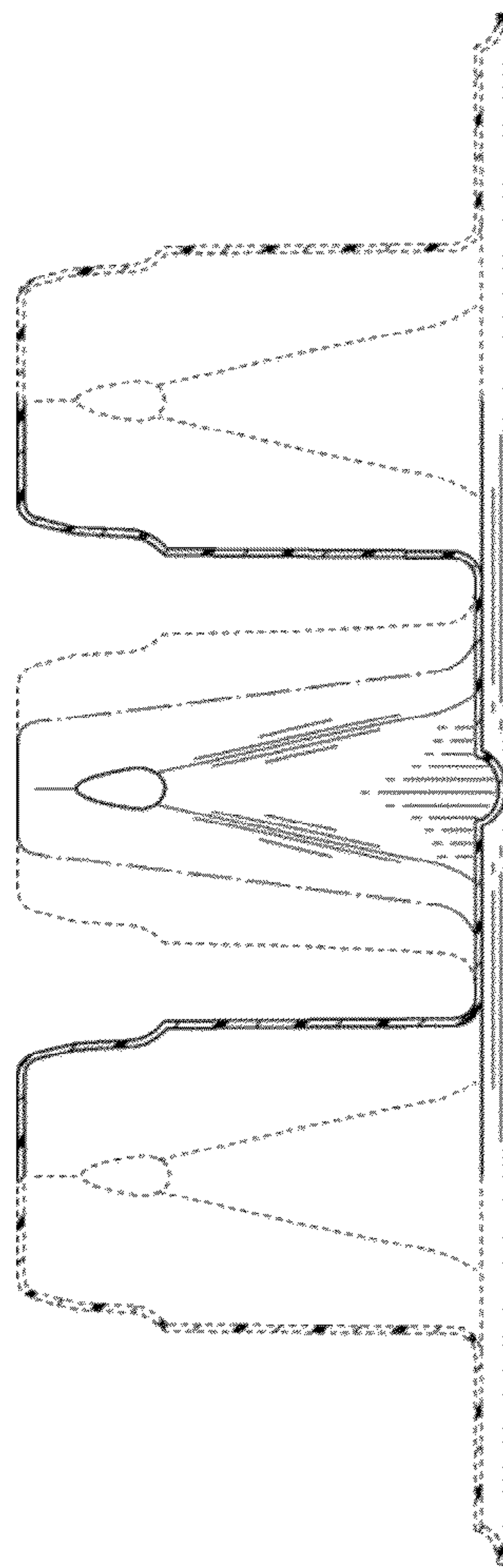


FIG. 9

