



US00D690027S

(12) **United States Design Patent**  
**Motadel**

(10) **Patent No.:** **US D690,027 S**

(45) **Date of Patent:** **\*\* Sep. 17, 2013**

(54) **PIPETTE TIP HANDLING DEVICE**

D441,091 S \* 4/2001 Day ..... D24/224  
D466,219 S \* 11/2002 Wynschek et al. .... D24/227  
D469,544 S \* 1/2003 Lafond et al. .... D24/224

(71) Applicant: **Biotix, Inc.**, San Diego, CA (US)

(Continued)

(72) Inventor: **Arta Motadel**, San Diego, CA (US)

**FOREIGN PATENT DOCUMENTS**

(73) Assignee: **Biotix, Inc.**, San Diego, CA (US)

JP 08-503911 4/1996  
JP 2000-084419 3/2000

(\*\*) Term: **14 Years**

(Continued)

(21) Appl. No.: **29/437,631**

**OTHER PUBLICATIONS**

(22) Filed: **Nov. 19, 2012**

Office Action mailed on: May 9, 2013 in U.S. Appl. No. 29/335,252,  
filed Apr. 11, 2009.

(Continued)

**Related U.S. Application Data**

(63) Continuation-in-part of application No. 29/345,142,  
filed on Oct. 9, 2009, now Pat. No. Des. 673,295,  
which is a continuation-in-part of application No.  
12/422,250, filed on Apr. 11, 2009, and a  
continuation-in-part of application No. 29/335,253,  
filed on Apr. 11, 2009.

*Primary Examiner* — T. Chase Nelson

*Assistant Examiner* — Mark Cavanna

(74) *Attorney, Agent, or Firm* — Grant Anderson LLP

(51) **LOC (9) Cl.** ..... **24-02**

(57) **CLAIM**

The ornamental design for a pipette tip handling device, as  
shown and described.

(52) **U.S. Cl.**

**DESCRIPTION**

USPC ..... **D24/227**

(58) **Field of Classification Search**

USPC ..... D24/108, 127–130, 216, 222, 224–232;  
422/63, 99–104, 250, 266, 297, 300, 476,  
422/553, 526, 562; 211/69, 71–72, 74, 71.01  
See application file for complete search history.

FIG. 1 shows a top perspective view of a pipette tip handling  
device;

FIG. 2 shows a bottom perspective view thereof showing tails  
of three different lengths;

FIG. 3 shows a width side view thereof;

FIG. 4 shows a top view thereof;

FIG. 5 shows a length side view thereof showing tails of three  
different lengths;

FIG. 6 shows a bottom view thereof;

FIG. 7 is a sectional view of FIG. 6 taken along line 7-7;

FIG. 8 is a sectional view of FIG. 6 taken along line 8-8; and,

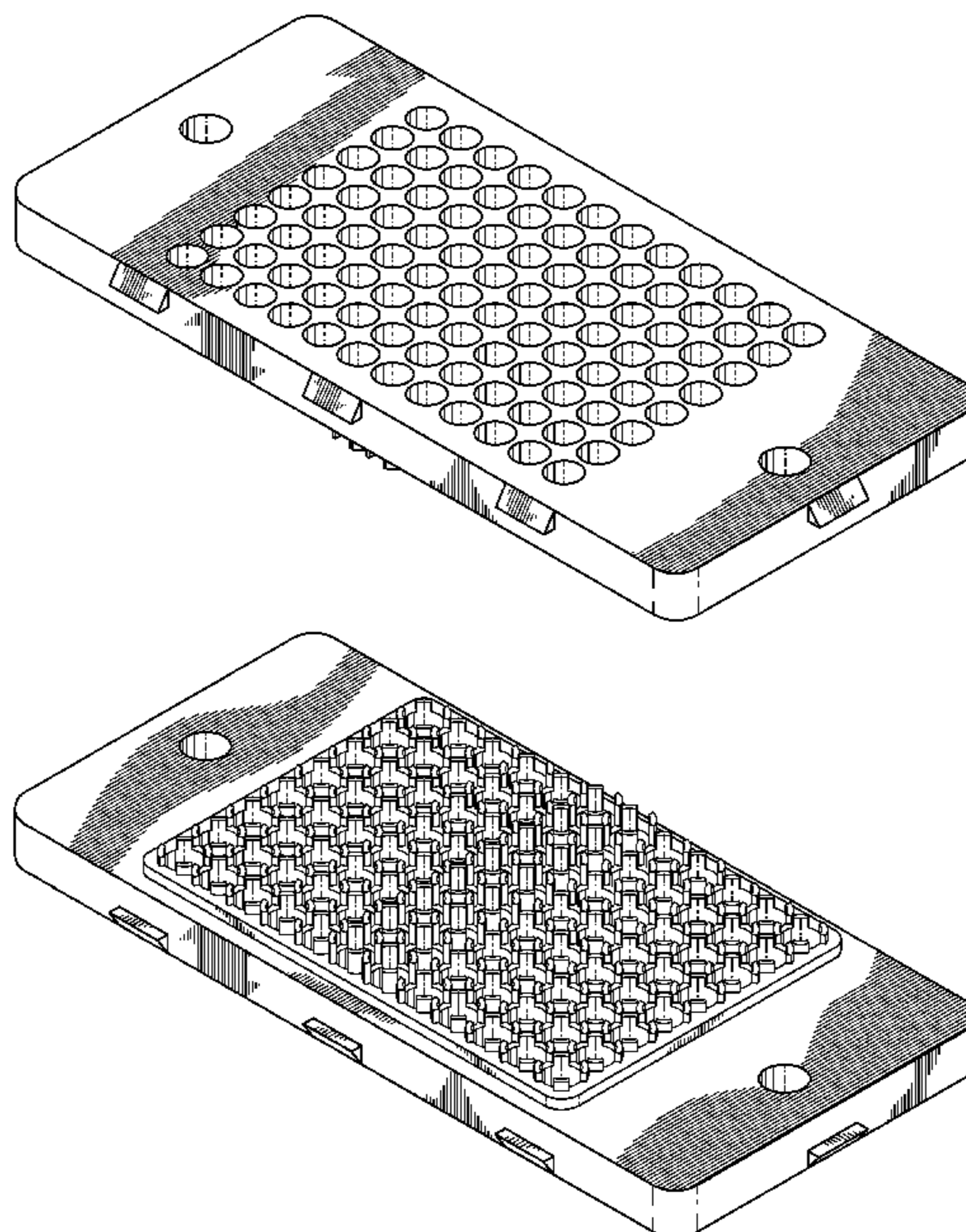
FIG. 9 is a sectional view of FIG. 6 taken along line 9-9.

(56) **References Cited**

**U.S. PATENT DOCUMENTS**

D323,400 S \* 1/1992 Frenkel et al. .... D24/230  
D337,165 S \* 7/1993 Malinoff ..... D24/222  
D414,271 S \* 9/1999 Mendoza ..... D24/224  
D420,743 S \* 2/2000 Monks ..... D24/226  
6,116,099 A \* 9/2000 Carl ..... 73/864.14

**1 Claim, 5 Drawing Sheets**



(56)

**References Cited**

U.S. PATENT DOCUMENTS

D562,463 S \* 2/2008 Berndt et al. .... D24/226  
D574,506 S \* 8/2008 Monks ..... D24/224  
D598,128 S \* 8/2009 Pihl et al. .... D24/227  
D601,713 S \* 10/2009 Lohn et al. .... D24/226  
D601,714 S \* 10/2009 Lohn et al. .... D24/226  
D628,306 S \* 11/2010 Blanc et al. .... D24/230  
D632,803 S \* 2/2011 Motadel et al. .... D24/229  
2004/0170534 A1 \* 9/2004 Brophy et al. .... 422/100  
2010/0080734 A1 \* 4/2010 Brophy et al. .... 422/100  
2010/0266457 A1 \* 10/2010 Rethwisch et al. .... 422/104

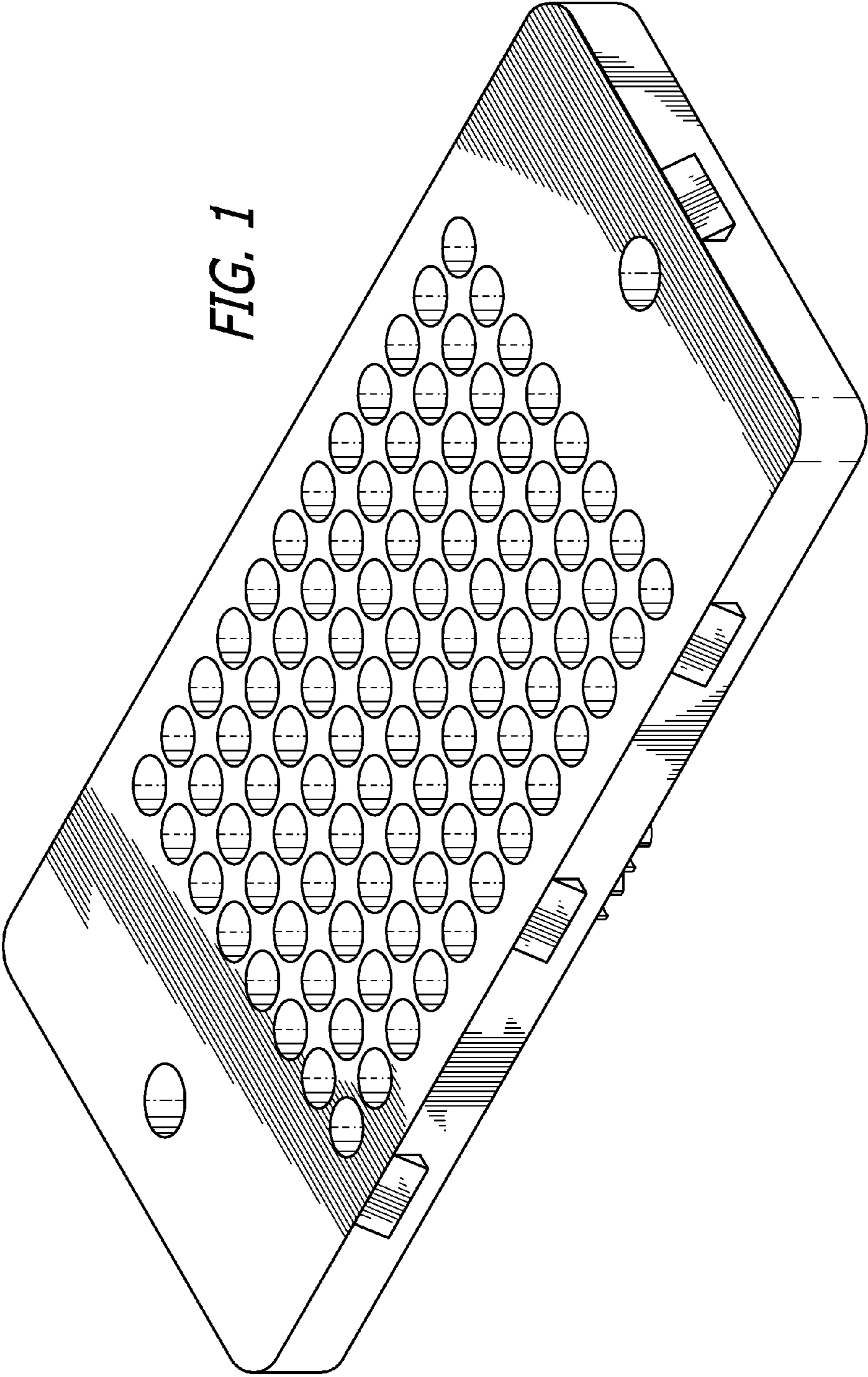
FOREIGN PATENT DOCUMENTS

JP 2000-506064 5/2000  
JP 2002-526242 8/2002  
JP 2002-537966 11/2002  
JP 2005-515942 2/2005

OTHER PUBLICATIONS

Office Action mailed on: May 10, 2013 in U.S. Appl. No. 29/335,253,  
filed Apr. 11, 2009.

\* cited by examiner



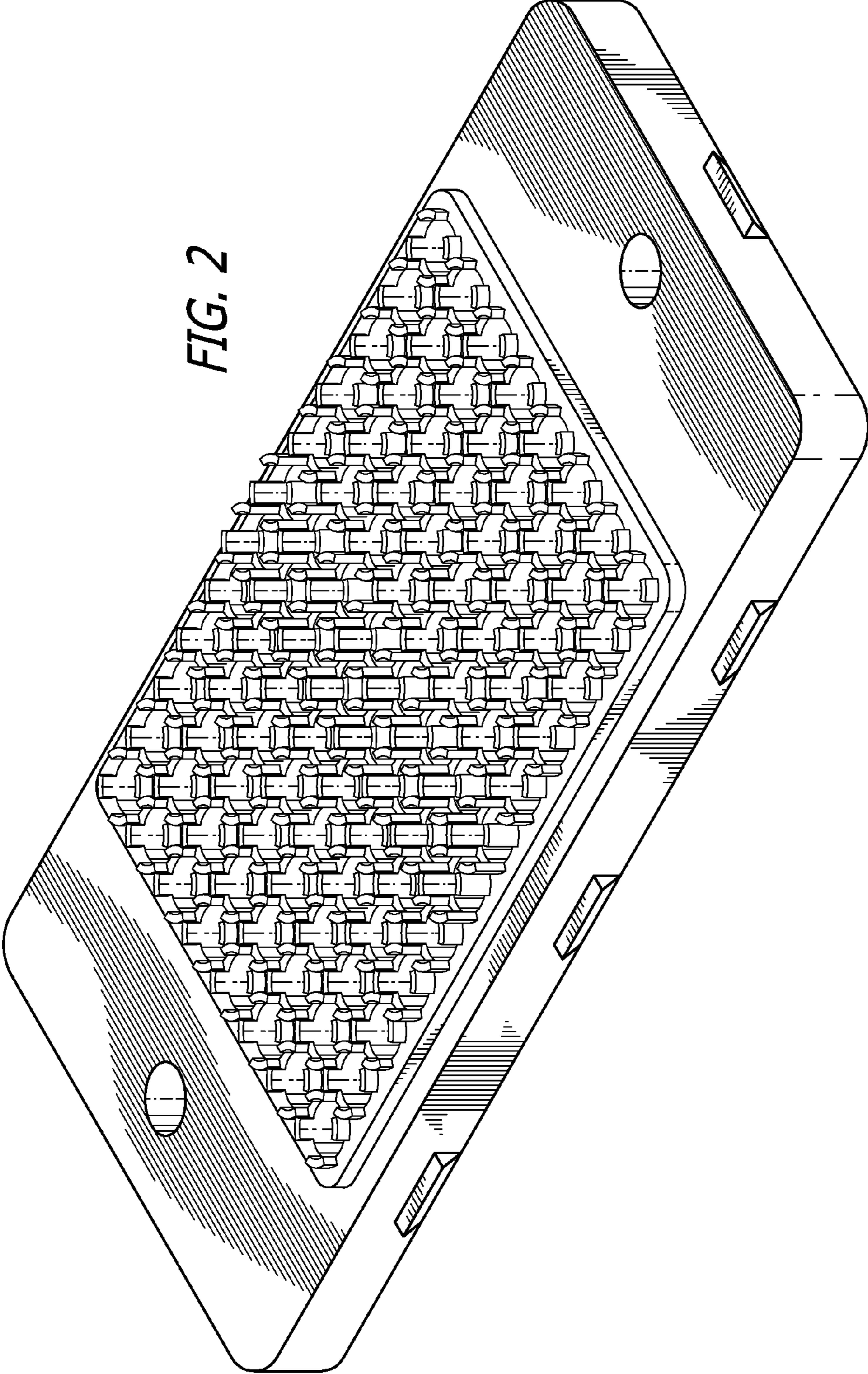


FIG. 2

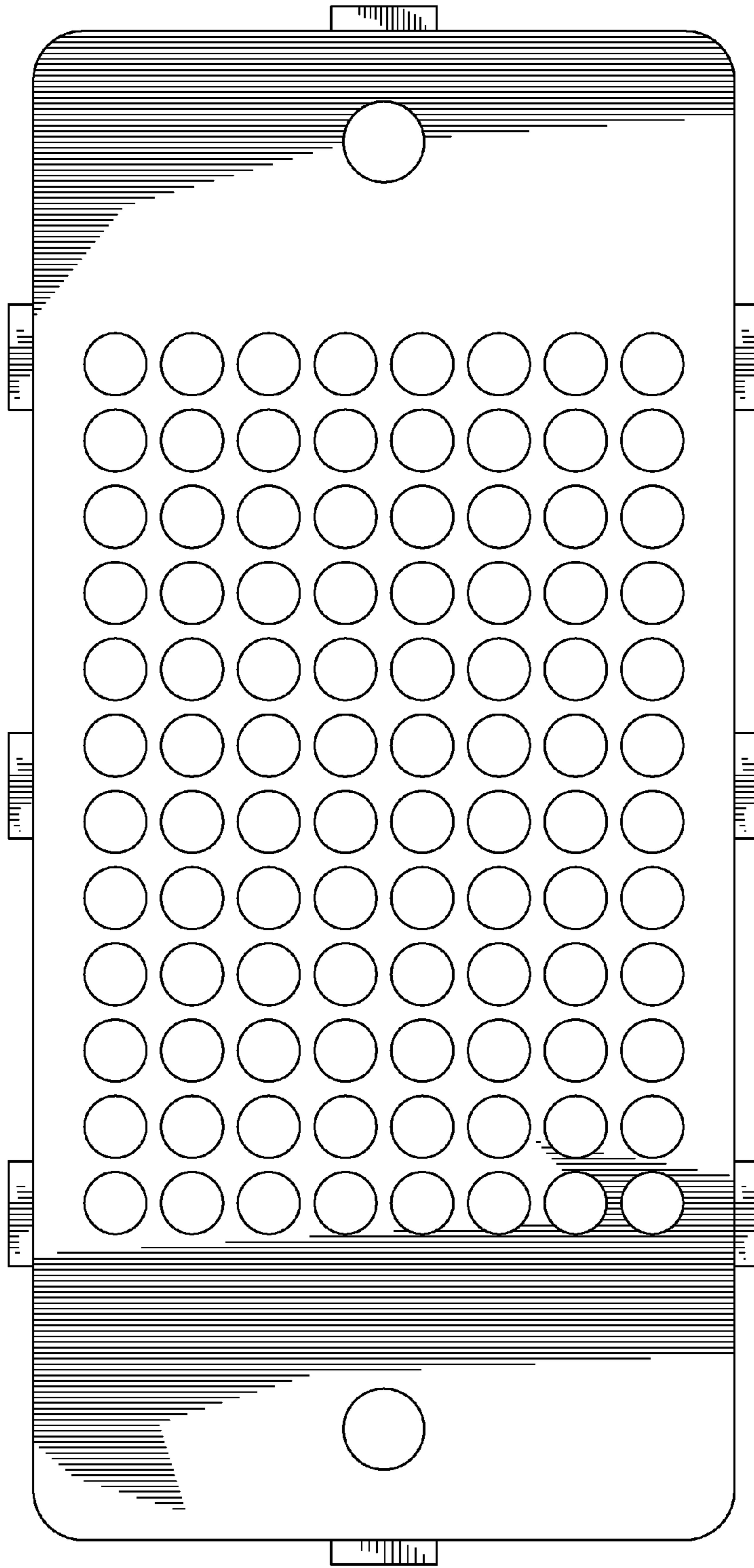
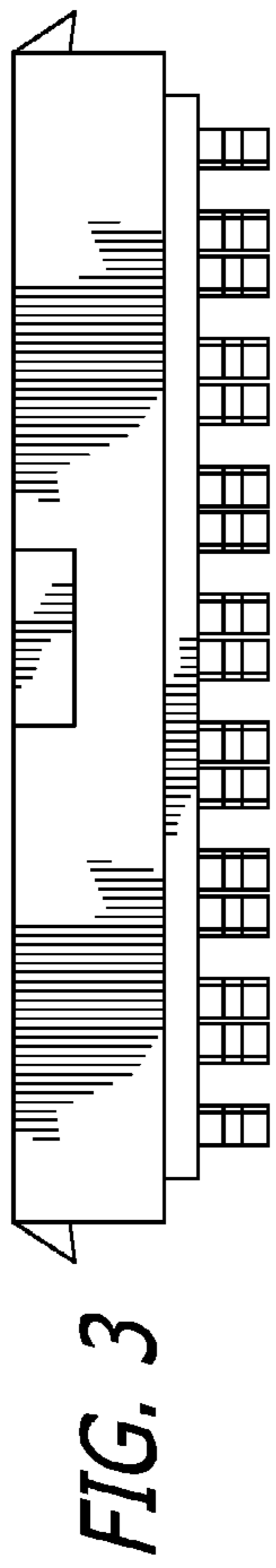


FIG. 4

FIG. 5

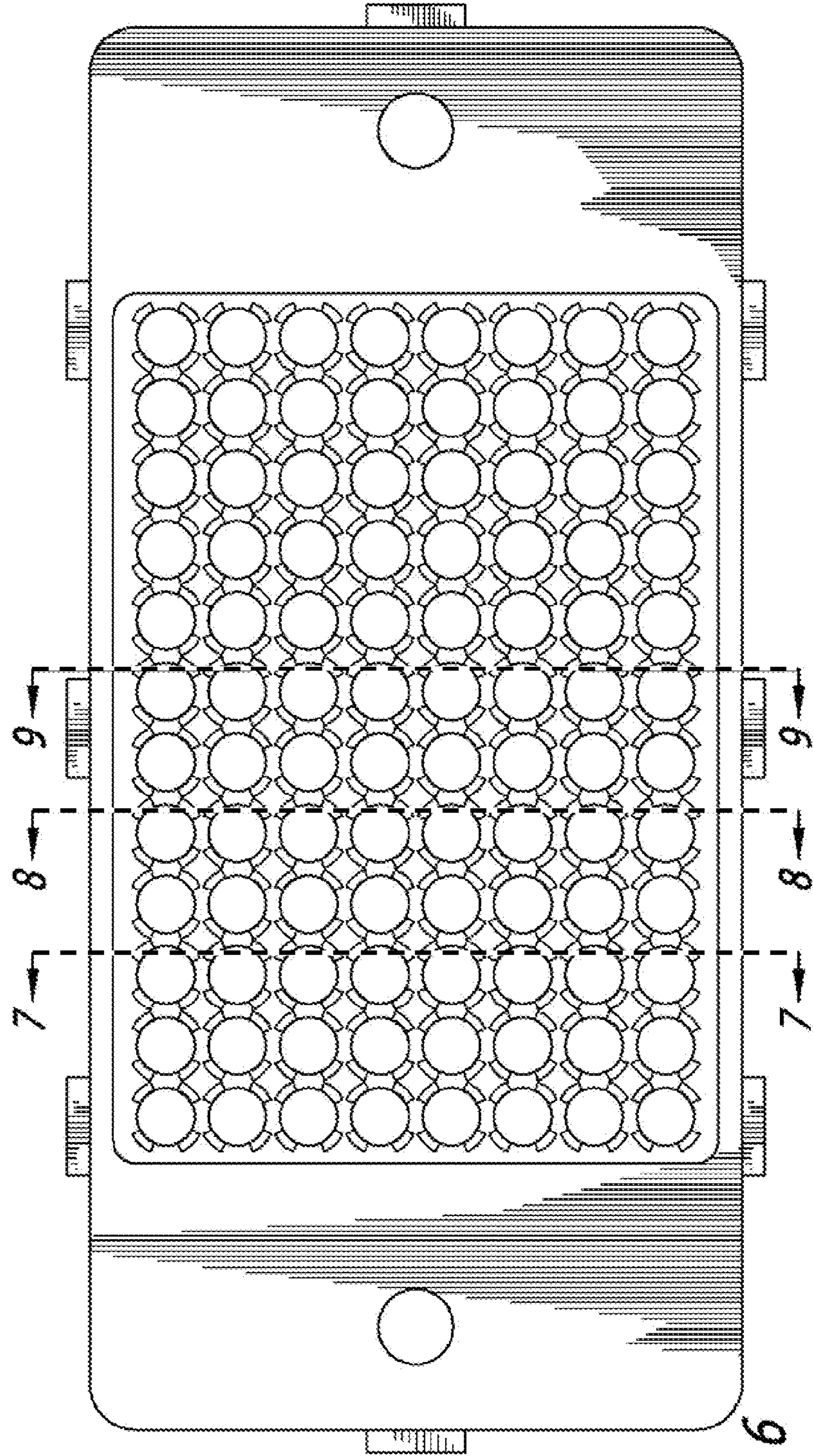
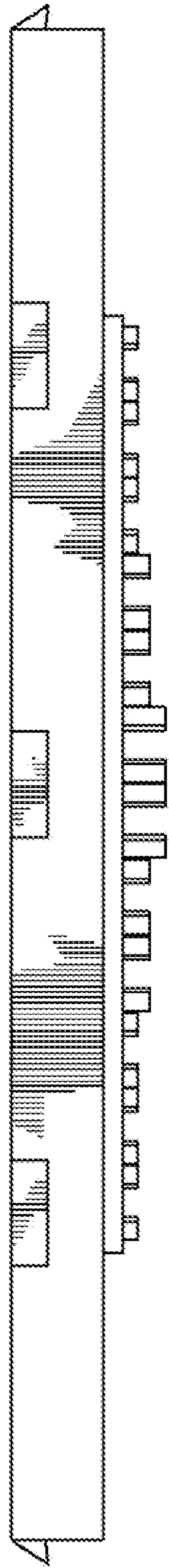


FIG. 6

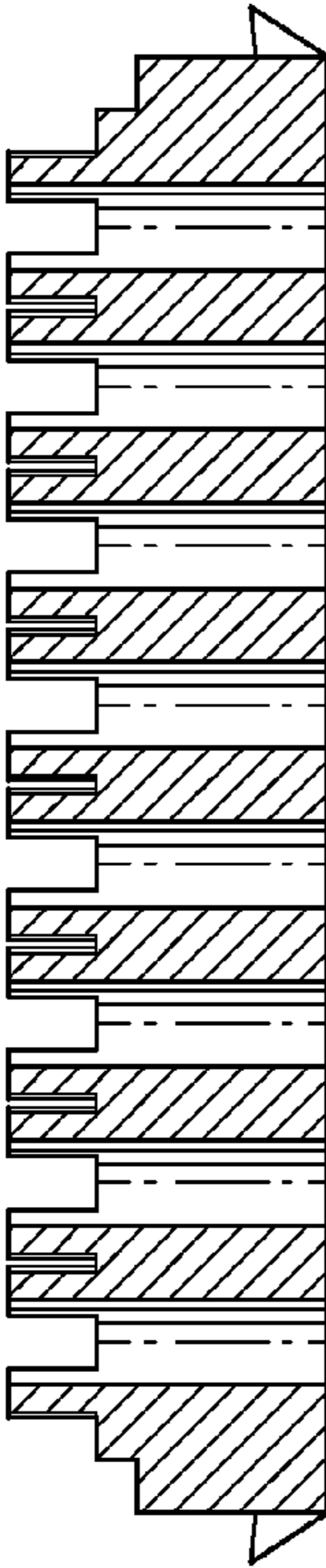


FIG. 9

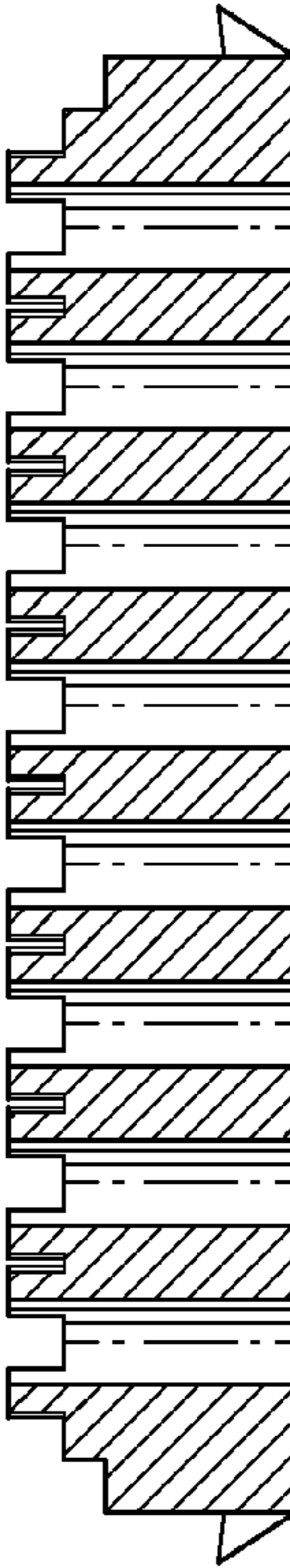


FIG. 8

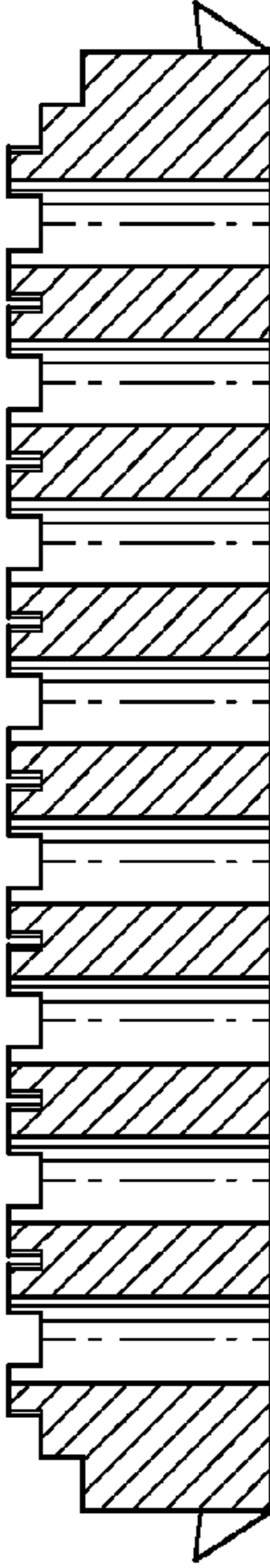


FIG. 7