



US00D690026S

(12) **United States Design Patent**
Brown et al.

(10) **Patent No.:** **US D690,026 S**
(45) **Date of Patent:** **** Sep. 17, 2013**

- (54) **PORTION CUP**
- (71) Applicant: **RhinoSystems Inc.**, Cleveland, OH (US)
- (72) Inventors: **Patrick W. Brown**, Auburn, OH (US);
Jeffrey S. Taggart, McLean, VA (US);
Robert D. Schilling, Olmsted Township,
OH (US)
- (73) Assignee: **RhinoSystems, Inc.**, Cleveland, OH
(US)
- (**) Term: **14 Years**
- (21) Appl. No.: **29/452,292**
- (22) Filed: **Apr. 15, 2013**

- D360,698 S 7/1995 Stevens et al.
- D385,756 S * 11/1997 Licari D7/667
- 5,720,391 A 2/1998 Dohm et al.
- D411,014 S 6/1999 Berger et al.
- D419,067 S * 1/2000 Guillin D9/430
- D430,959 S 9/2000 Sheely
- D432,280 S 10/2000 Quinlan et al.
- D453,822 S 2/2002 Meeks et al.
- D460,167 S 7/2002 Murray et al.
- D503,785 S 4/2005 Otaki
- D522,114 S 5/2006 Otaki
- D536,432 S 2/2007 Jackovitch et al.
- 7,246,715 B2 7/2007 Smith et al.
- D556,250 S 11/2007 Kent et al.
- D566,256 S 4/2008 Abate et al.
- D573,412 S * 7/2008 Ablo D7/566
- D578,628 S 10/2008 Yoo et al.
- D597,203 S 7/2009 Tauer
- D597,642 S 8/2009 Kaiser et al.
- D605,754 S 12/2009 Nelson et al.

Related U.S. Application Data

- (60) Continuation of application No. 29/422,432, filed on
May 21, 2012, now Pat. No. Des. 680,229, which is a
division of application No. 29/360,918, filed on May 3,
2010, now Pat. No. Des. 662,217.
- (51) **LOC (9) Cl.** **24-01**
- (52) **U.S. Cl.**
USPC **D24/224**
- (58) **Field of Classification Search**
USPC D24/216-232, 186, 121; D7/543,
D7/545, 565, 584, 587; D9/425, 428, 429,
D9/430; 206/219, 220; 220/574, 608;
422/500, 547
See application file for complete search history.

References Cited

U.S. PATENT DOCUMENTS

- 4,697,703 A 10/1987 Will
- D316,447 S 4/1991 Woodson et al.
- D330,418 S 10/1992 Carter
- D342,965 S 1/1994 Duke et al.
- D352,350 S 11/1994 Rambo et al.

(Continued)

Primary Examiner — Anhdao Doan

(74) *Attorney, Agent, or Firm* — Fay Sharpe LLP

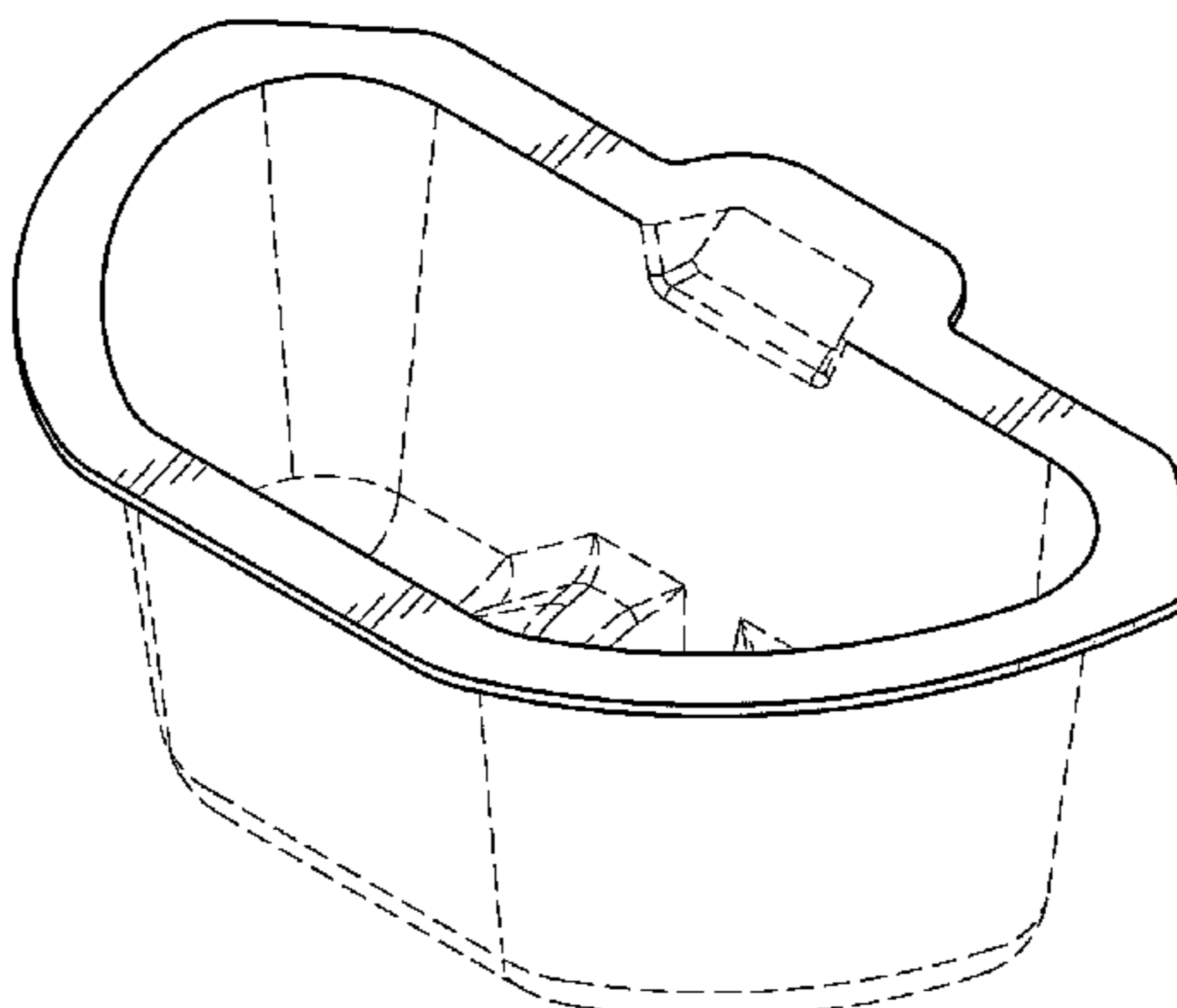
(57) **CLAIM**

The ornamental design for a portion cup, as shown and
described.

DESCRIPTION

FIG. 1 is a top perspective view of a portion cup showing our
new design;
FIG. 2 is a front view thereof;
FIG. 3 is a left side view thereof;
FIG. 4 is a rear view thereof;
FIG. 5 is a right side view thereof;
FIG. 6 is a top view thereof;
FIG. 7 is a bottom view thereof; and,
FIG. 8 is a bottom perspective view thereof.
The parts illustrated in dashed lines form no part of the
claimed design.

1 Claim, 3 Drawing Sheets



(56)

References Cited

U.S. PATENT DOCUMENTS

D611,768 S 3/2010 Muhl et al.
D615,179 S 5/2010 Borgi
D625,956 S 10/2010 Goddard-Clark et al.
D625,961 S 10/2010 Kent

D629,119 S 12/2010 Motadel
7,850,006 B2 12/2010 Uchiyama
D662,219 S 6/2012 Perrin et al.
2005/0042145 A1 2/2005 Ueda et al.
2005/0183971 A1 8/2005 Petricca

* cited by examiner

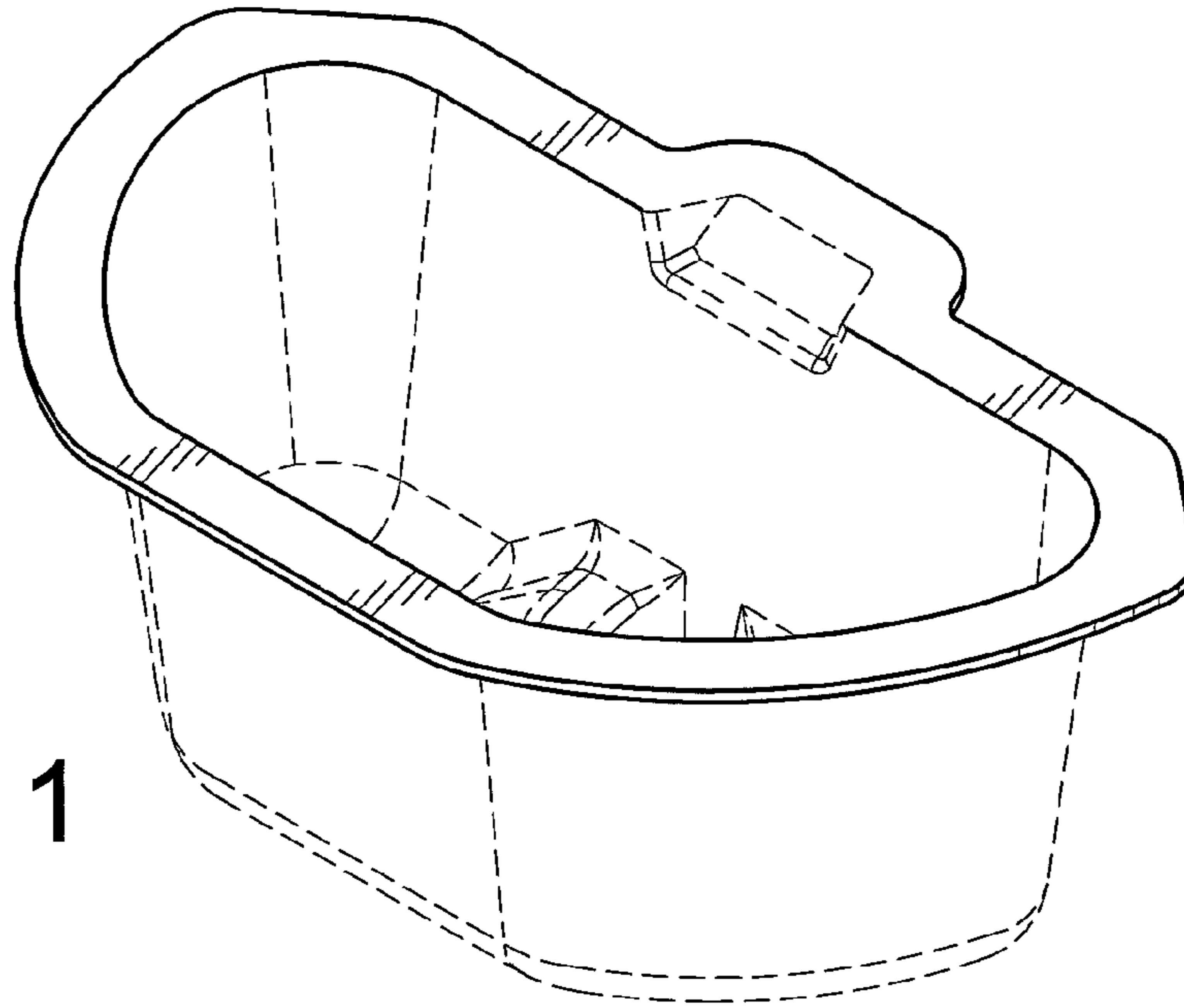


FIG. 1

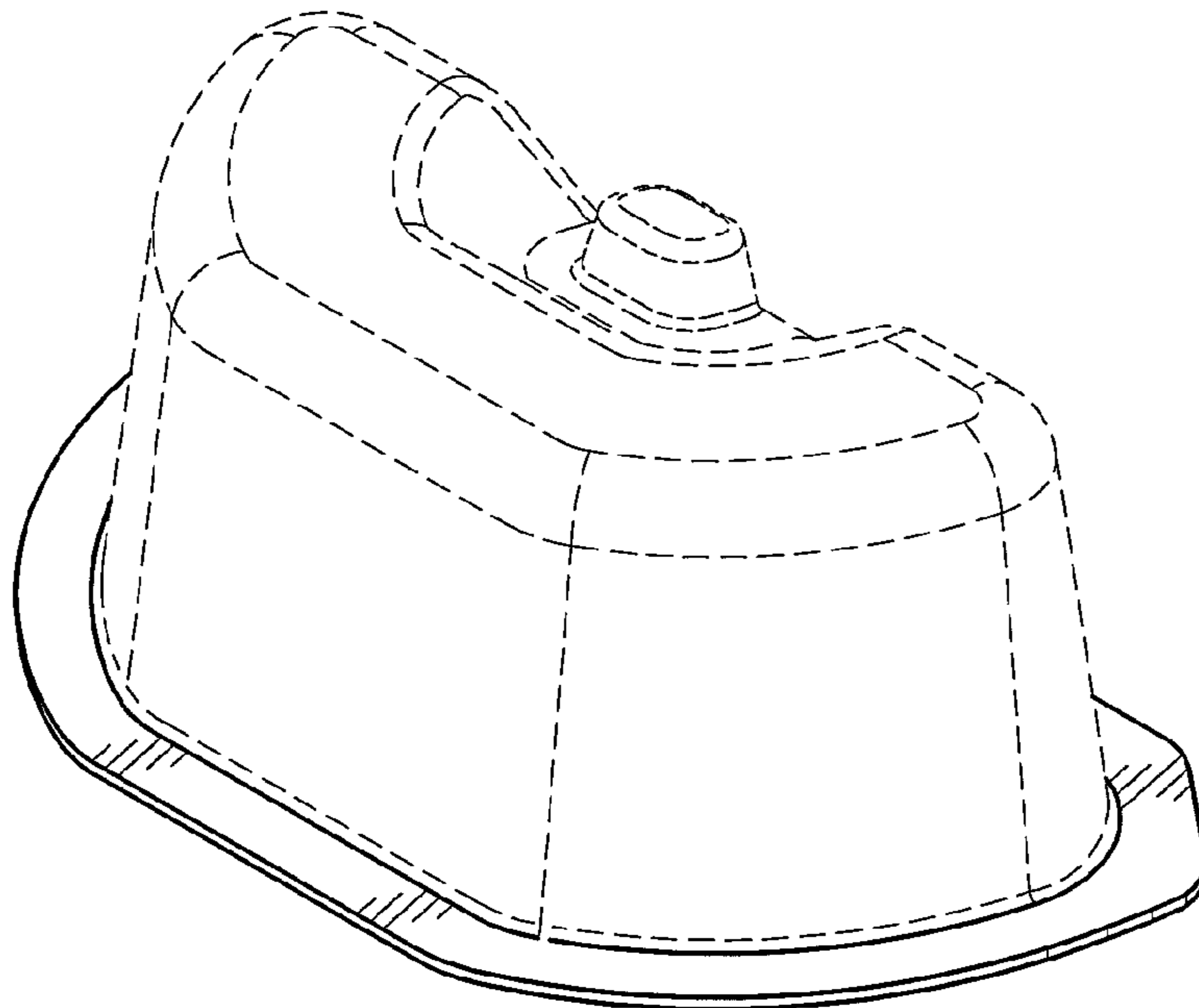


FIG. 8

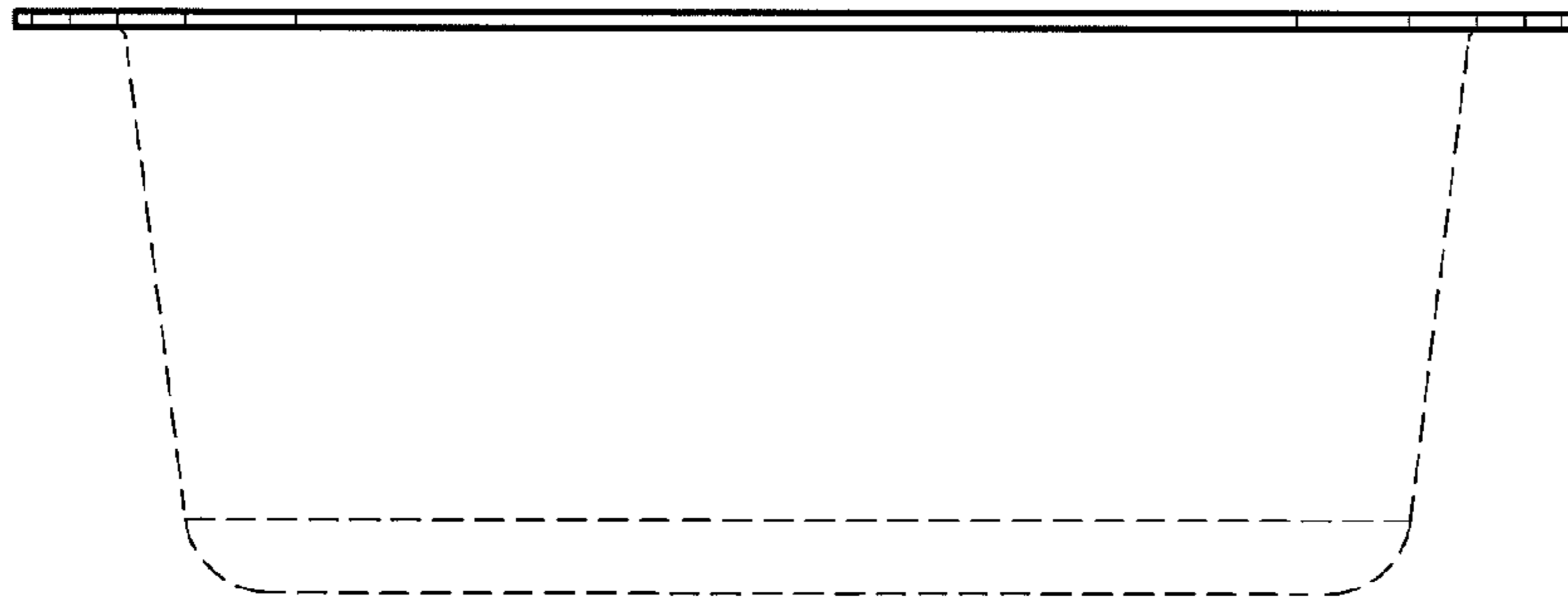


FIG. 2

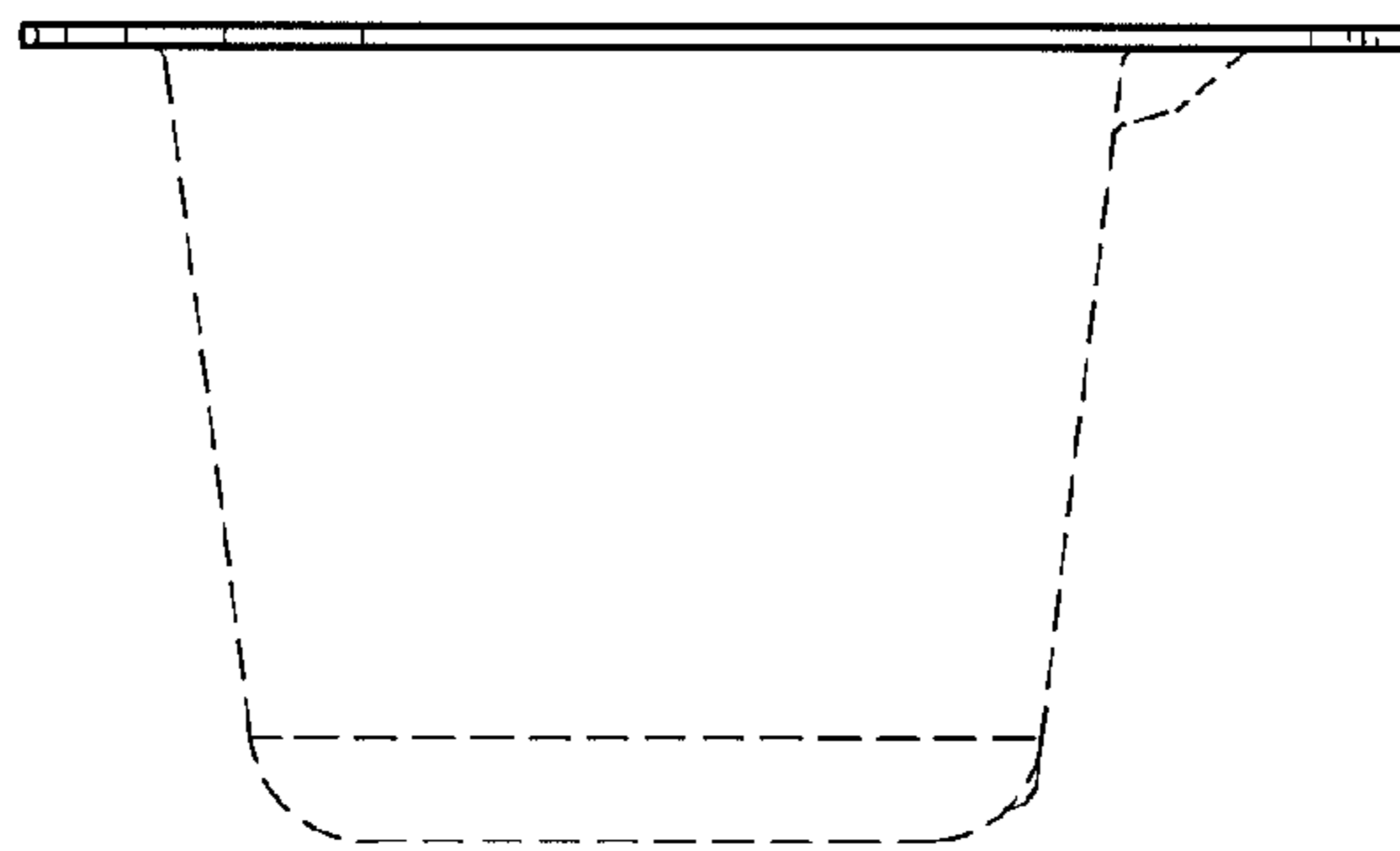


FIG. 3

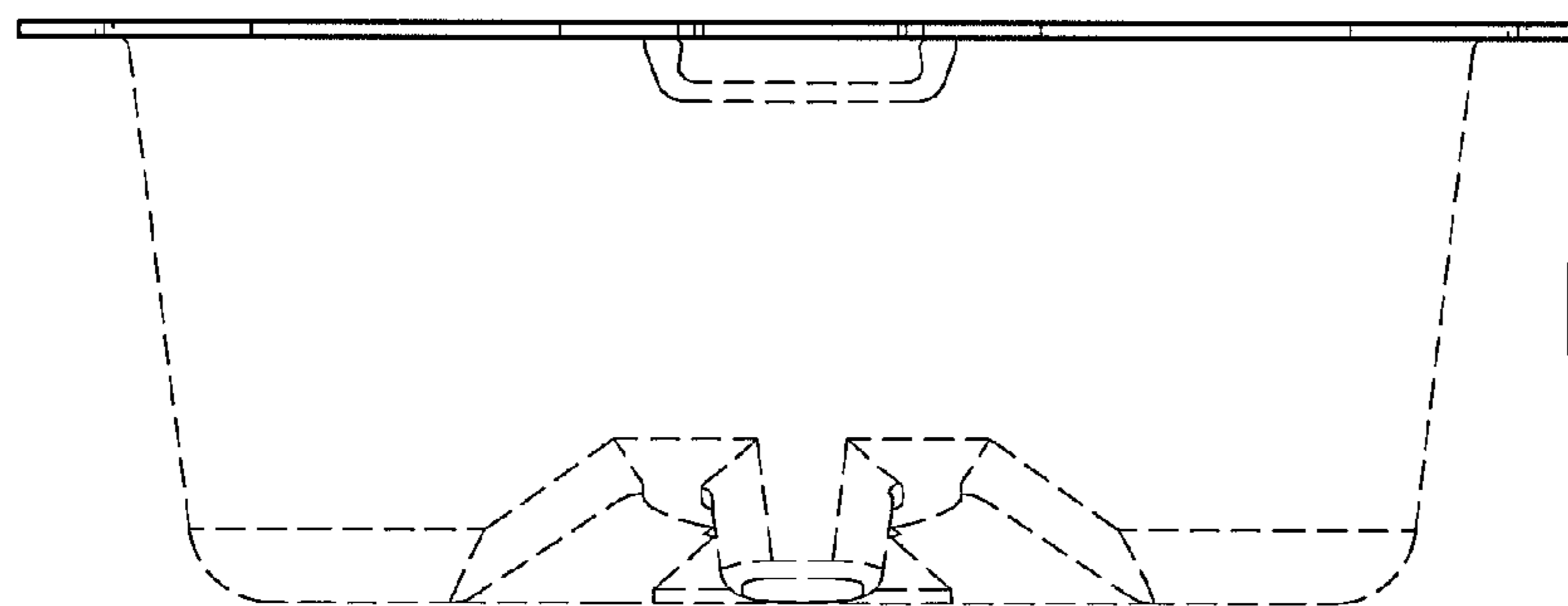


FIG. 4

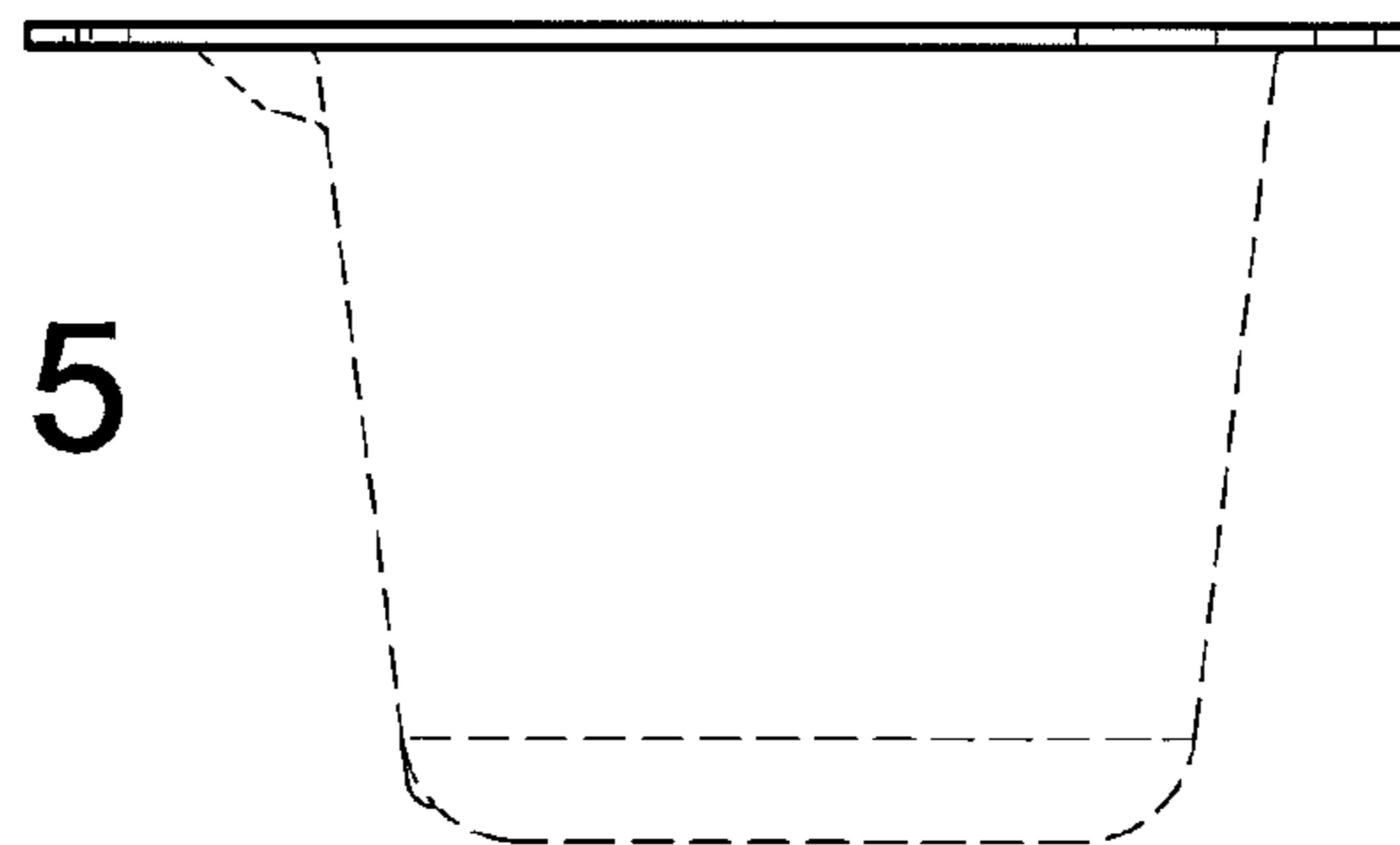


FIG. 5

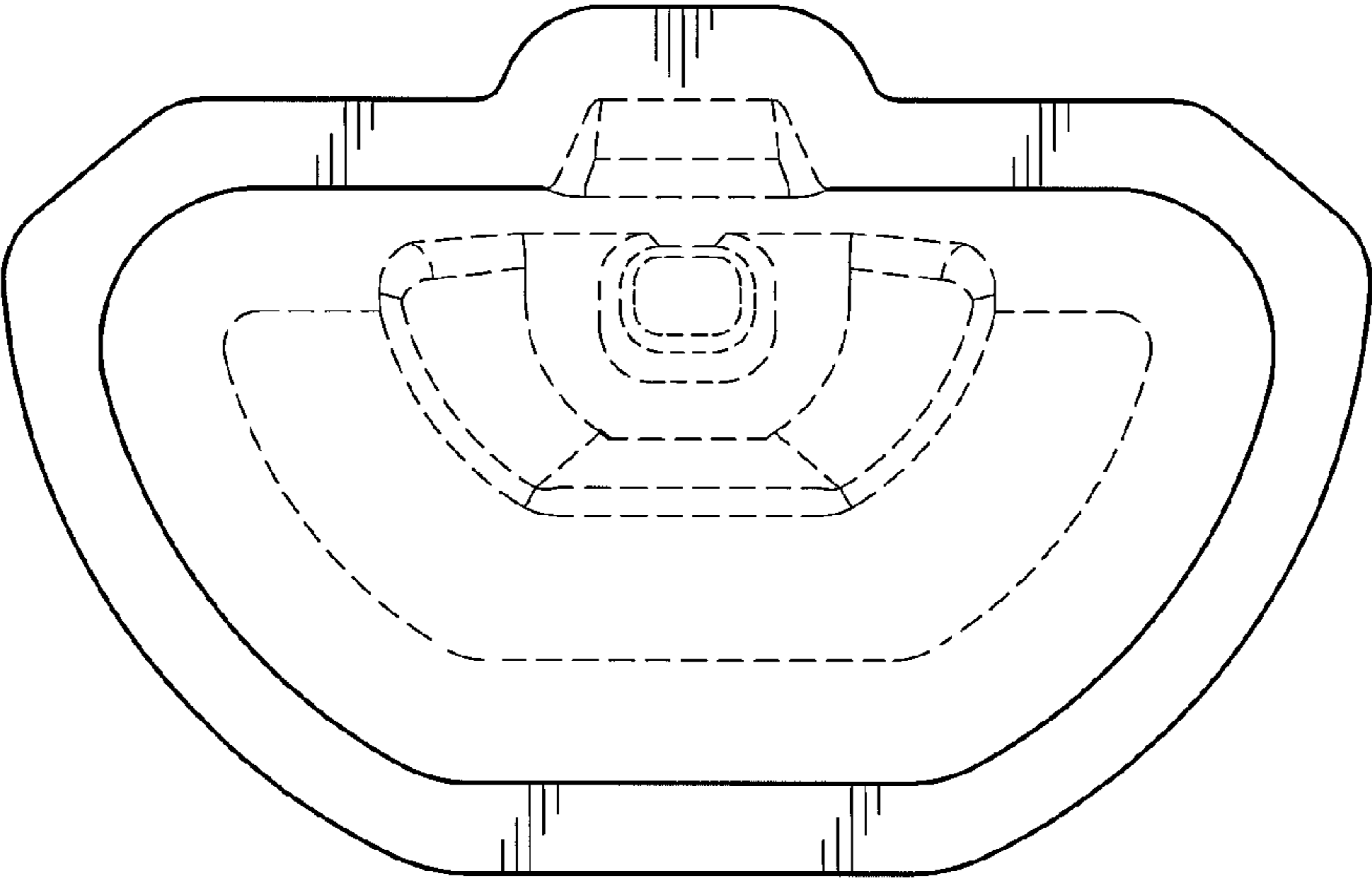


FIG. 6

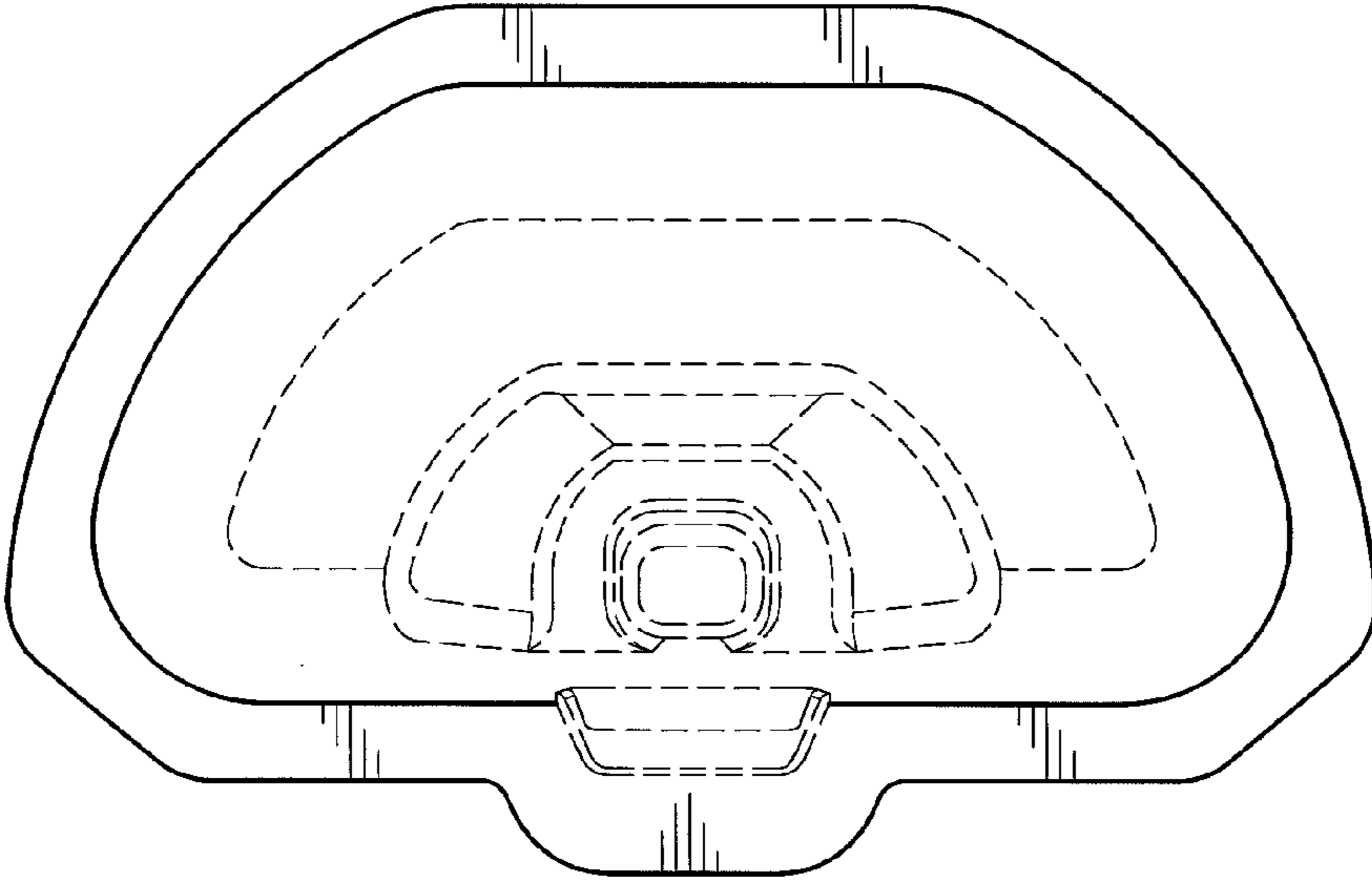


FIG. 7

UNITED STATES PATENT AND TRADEMARK OFFICE
CERTIFICATE OF CORRECTION

PATENT NO. : D690,026 S
APPLICATION NO. : 29/452292
DATED : September 17, 2013
INVENTOR(S) : Patrick W. Brown et al.

Page 1 of 1

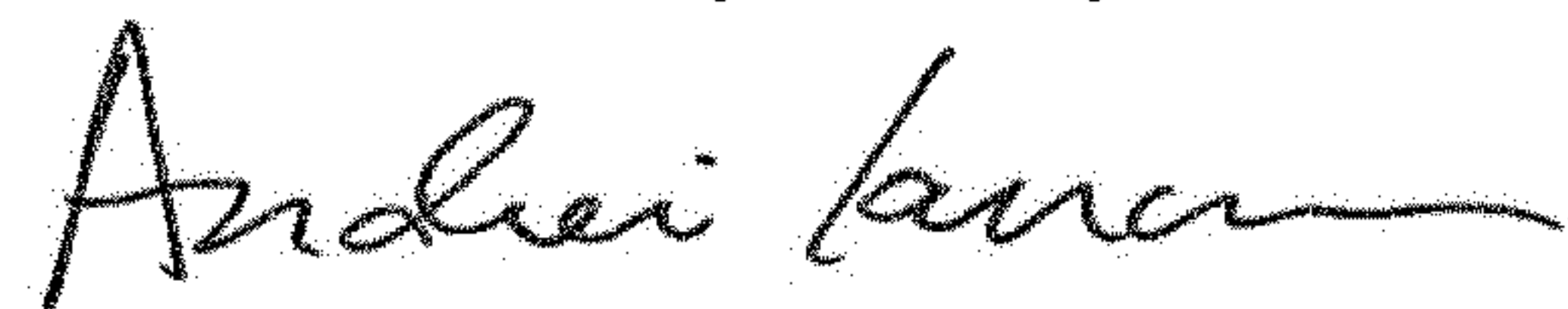
It is certified that error appears in the above-identified patent and that said Letters Patent is hereby corrected as shown below:

On the Title Page

Item (72) should read:

Inventors: Patrick W. Brown, Auburn, OH (US);
Jeffrey S. Taggart, McLean, VA (US);
Robert D. Schilling, Olmsted Township, OH (US);
Martin R. Hoke, Lakewood, OH (US)

Signed and Sealed this
Twelfth Day of May, 2020



Andrei Iancu
Director of the United States Patent and Trademark Office