

US00D690025S

(12) **United States Design Patent**  
**TerMaat et al.**

(10) **Patent No.:** **US D690,025 S**

(45) **Date of Patent:** **\*\* Sep. 17, 2013**

(54) **SAMPLE TUBE**

(75) Inventors: **Joel R. TerMaat**, Lincoln, NE (US);  
**Matthew R. Kreifels**, Omaha, NE (US);  
**Scott E. Whitney**, Lincoln, NE (US);  
**Troy M. Just**, Lincoln, NE (US); **Jamee**  
**Thieman**, Lincoln, NE (US)

(73) Assignee: **Streck, Inc.**, LaVista, NE (US)

(\*\*) Term: **14 Years**

(21) Appl. No.: **29/424,290**

(22) Filed: **Jun. 11, 2012**

(51) **LOC (9) Cl.** ..... **24-01**

(52) **U.S. Cl.**  
USPC ..... **D24/224**

(58) **Field of Classification Search**  
USPC ..... D24/216–217, 219, 223–226, 227,  
D24/229–231, 232, 107, 121–123; D10/81;  
422/547–554, 556, 558, 559, 500; 435/288.1,  
435/288.2, 288.3, 288.4, 294.1, 304.1, 304.3,  
435/305.1–305.4; D9/504, 519, 529  
See application file for complete search history.

(56) **References Cited**

**U.S. PATENT DOCUMENTS**

D225,526	S	*	12/1972	Baum et al.	.....	D24/224
D256,053	S	*	7/1980	Steigerwald	.....	D24/224
D337,261	S	*	7/1993	Sherman	.....	D24/224
5,225,165	A		7/1993	Perlman		
5,234,667	A	*	8/1993	Radtke et al.	.....	422/548
5,353,186	A		10/1994	Ruoss et al.		
5,571,479	A		11/1996	Koch		
5,604,101	A		2/1997	Hanley et al.		
5,721,136	A		2/1998	Finney et al.		
5,753,186	A	*	5/1998	Hanley et al.	.....	422/550
5,863,791	A		1/1999	Baldszun		
5,958,349	A		9/1999	Petersen et al.		
6,015,534	A		1/2000	Atwood		
6,159,727	A		12/2000	Bochkariov		

6,312,886	B1		11/2001	Lee et al.		
6,634,243	B1	*	10/2003	Wickstead et al.	.....	73/863.23
6,783,025	B2		8/2004	Lohn		
7,255,833	B2		8/2007	Chang et al.		
7,749,452	B2		7/2010	Brem et al.		
D640,795	S	*	6/2011	Jackson et al.	.....	D24/216
D659,848	S	*	5/2012	TerMaat et al.	.....	D24/224
2002/0086417	A1	*	7/2002	Chen	.....	435/287.3
2009/0155838	A1		6/2009	Hale		

**FOREIGN PATENT DOCUMENTS**

EP	2193845	6/2010
WO	2006/024879	3/2006
WO	2011086497	7/2011

**OTHER PUBLICATIONS**

International Search Report & Written Opinion dated Aug. 16, 2012;  
Application No. PCT/US2012/034506.

\* cited by examiner

*Primary Examiner* — Anhdao Doan

(74) *Attorney, Agent, or Firm* — The Dobrusin Law Firm,  
PC

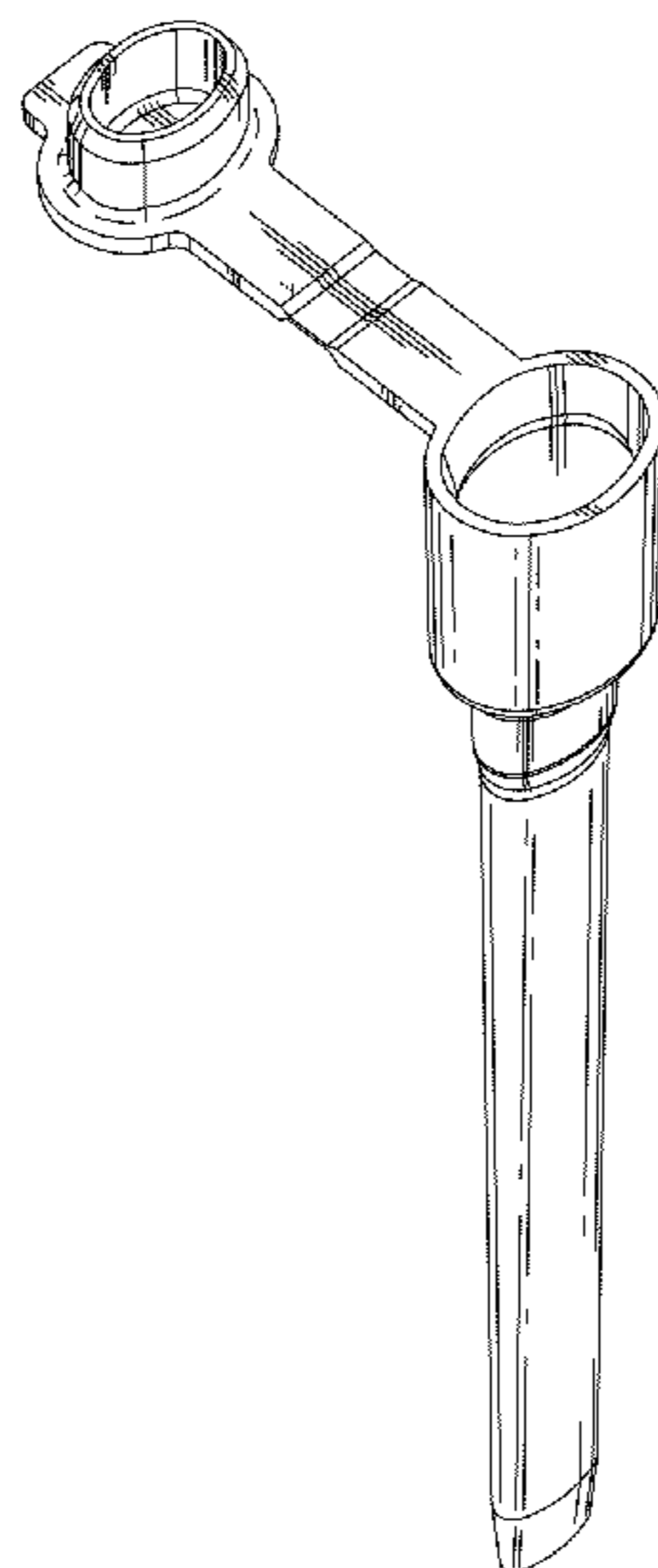
(57) **CLAIM**

The ornamental design for a sample tube, as shown and  
described.

**DESCRIPTION**

FIG. 1 is a perspective view of a sample tube showing our new  
design;  
FIG. 2 is another perspective view thereof;  
FIG. 3 is a front elevational view thereof;  
FIG. 4 is a rear elevational view thereof;  
FIG. 5 is a side elevational view thereof;  
FIG. 6 is a top plan view thereof; and,  
FIG. 7 is a bottom plan view thereof.  
Portion of the sample tube shown in broken lines in FIGS. 6  
and 7 forms no part of the claimed design.

**1 Claim, 3 Drawing Sheets**



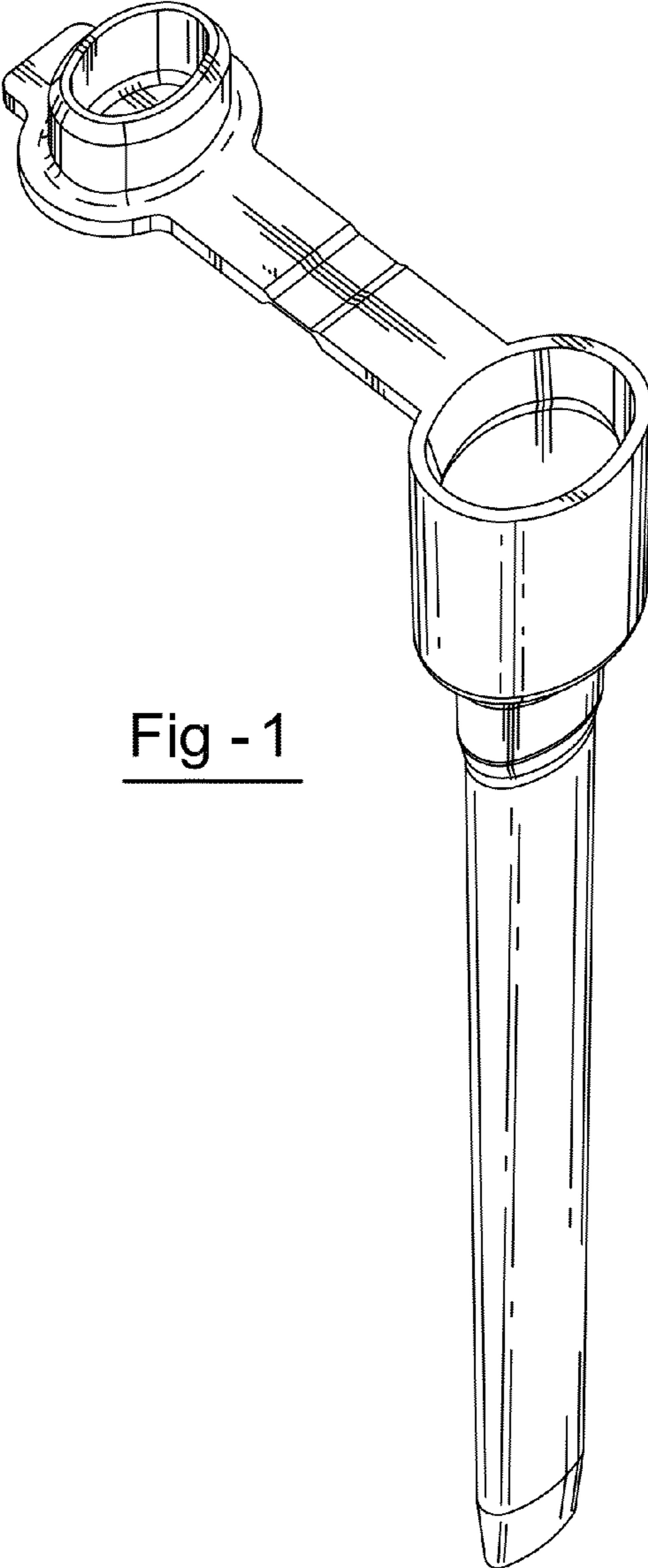


Fig - 1

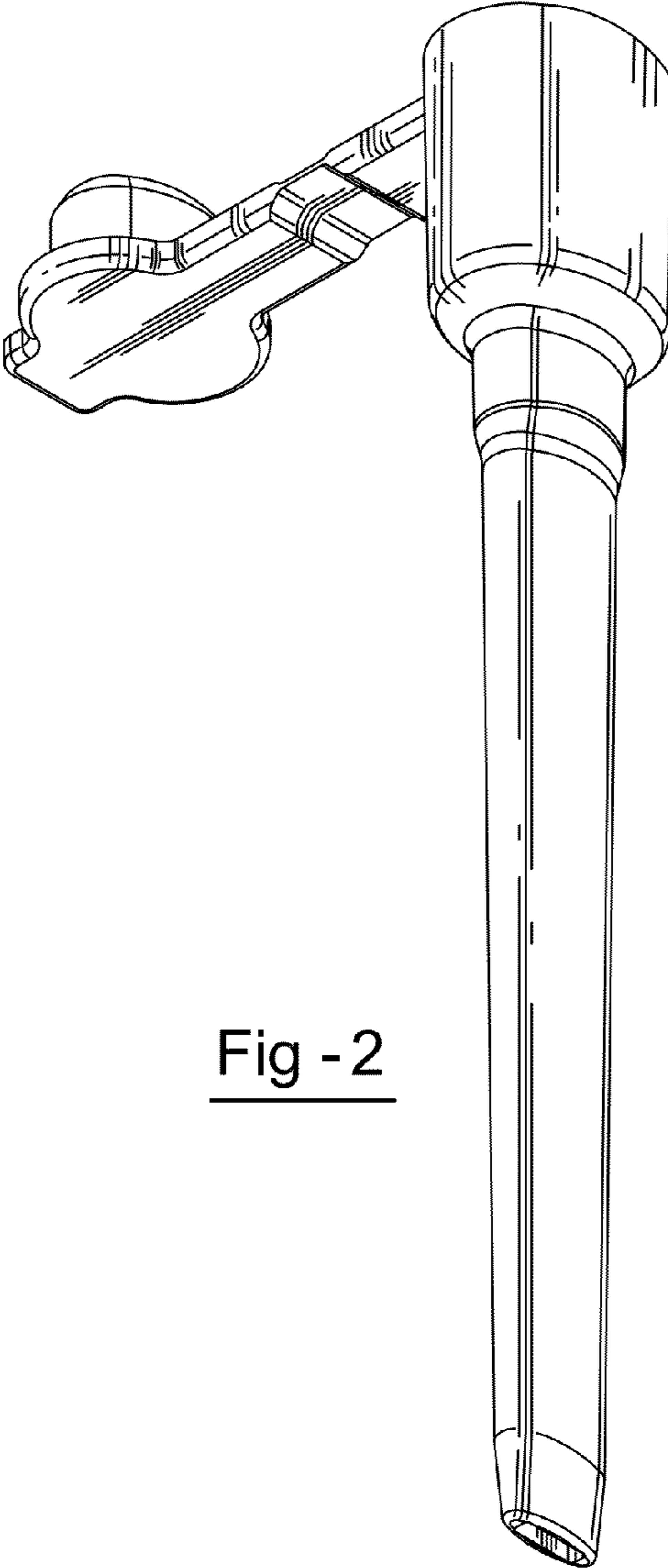


Fig - 2

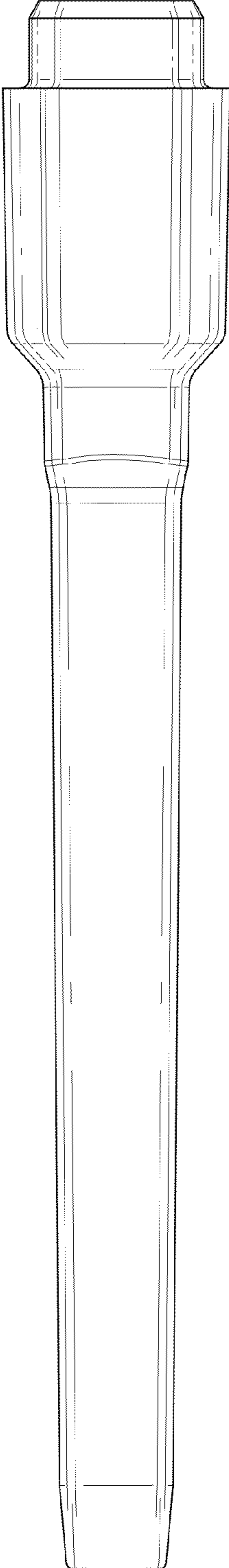


Fig - 3

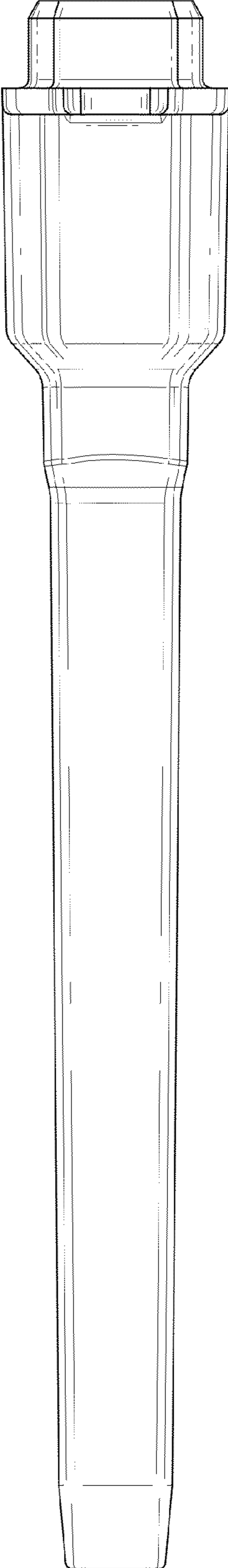


Fig - 4

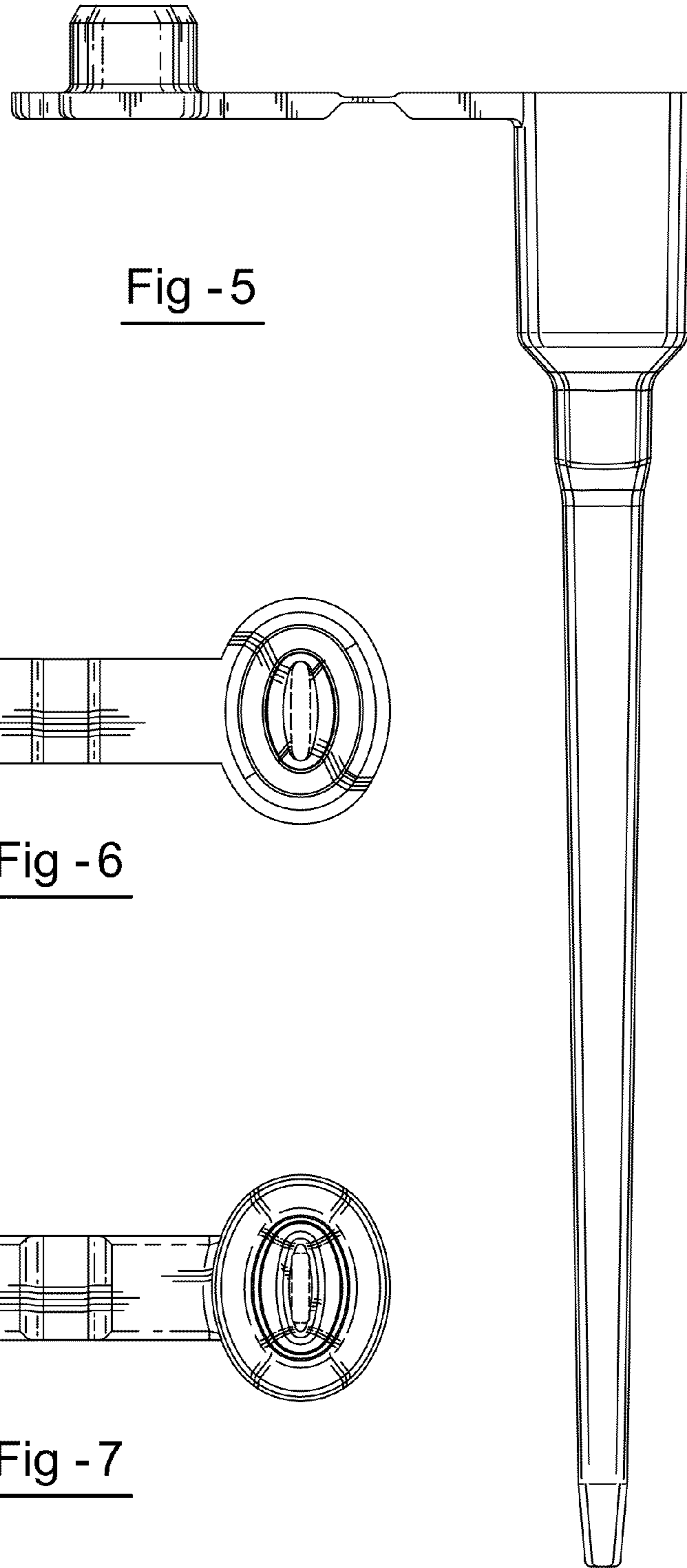


Fig - 5

Fig - 6

Fig - 7