

US00D690022S

(12) **United States Design Patent**
Sonoda

(10) **Patent No.:** **US D690,022 S**

(45) **Date of Patent:** **** Sep. 17, 2013**

(54) **PERSONAL WARMING APPARATUS**

(75) Inventor: **Goro Sonoda**, Osaka (JP)

(73) Assignee: **Kobayashi Pharmaceutical Co., Ltd.**
(JP)

(**) Term: **14 Years**

(21) Appl. No.: **29/420,146**

(22) Filed: **May 4, 2012**

(30) **Foreign Application Priority Data**

Nov. 4, 2011 (JP) 2011-025522

(51) **LOC (9) Cl.** **24-04**

(52) **U.S. Cl.**
USPC **D24/206**

(58) **Field of Classification Search**

USPC D24/206–208, 189–192, 118; 602/1–7,
602/17–27, 61–66, 74, 30; 128/112.1, 117.1,
128/95.1, 96.1, 97.1, 100.1, 101.1, 876;
606/204, 27; 607/96, 108, 109, 111, 112;
D29/121.2, 122, 101.2, 101.5, 120.1, 121.1,
D29/108; D3/327; D9/707; 601/15, DIG. 1;
126/204

See application file for complete search history.

(56) **References Cited**

U.S. PATENT DOCUMENTS

5,274,865	A *	1/1994	Takehashi	607/109
5,441,534	A *	8/1995	MacWinnie et al.	607/108
5,800,492	A *	9/1998	Manker	607/111
D442,285	S *	5/2001	Perry	D24/206
D473,939	S *	4/2003	Hantke et al.	D24/124
D503,982	S *	4/2005	Liedtke et al.	D24/189
D511,005	S *	10/2005	Liedtke et al.	D24/189
D516,729	S *	3/2006	Liedtke et al.	D24/189
7,652,228	B2 *	1/2010	Igaki et al.	219/401
D629,911	S *	12/2010	Ha et al.	D24/189
D636,498	S *	4/2011	Smith	D24/206
D657,063	S *	4/2012	Chiang	D24/190
D657,064	S *	4/2012	Nace et al.	D24/190

FOREIGN PATENT DOCUMENTS

JP	1237159	4/2005
JP	1237838	4/2005

OTHER PUBLICATIONS

U.S. Appl. No. 29/420,149, filed May 4, 2012, entitled "Personal Warming Apparatus", and as amended Jul. 5, 2012.

* cited by examiner

Primary Examiner — David Muller

(74) *Attorney, Agent, or Firm* — SAIDMAN DesignLaw Group

(57) **CLAIM**

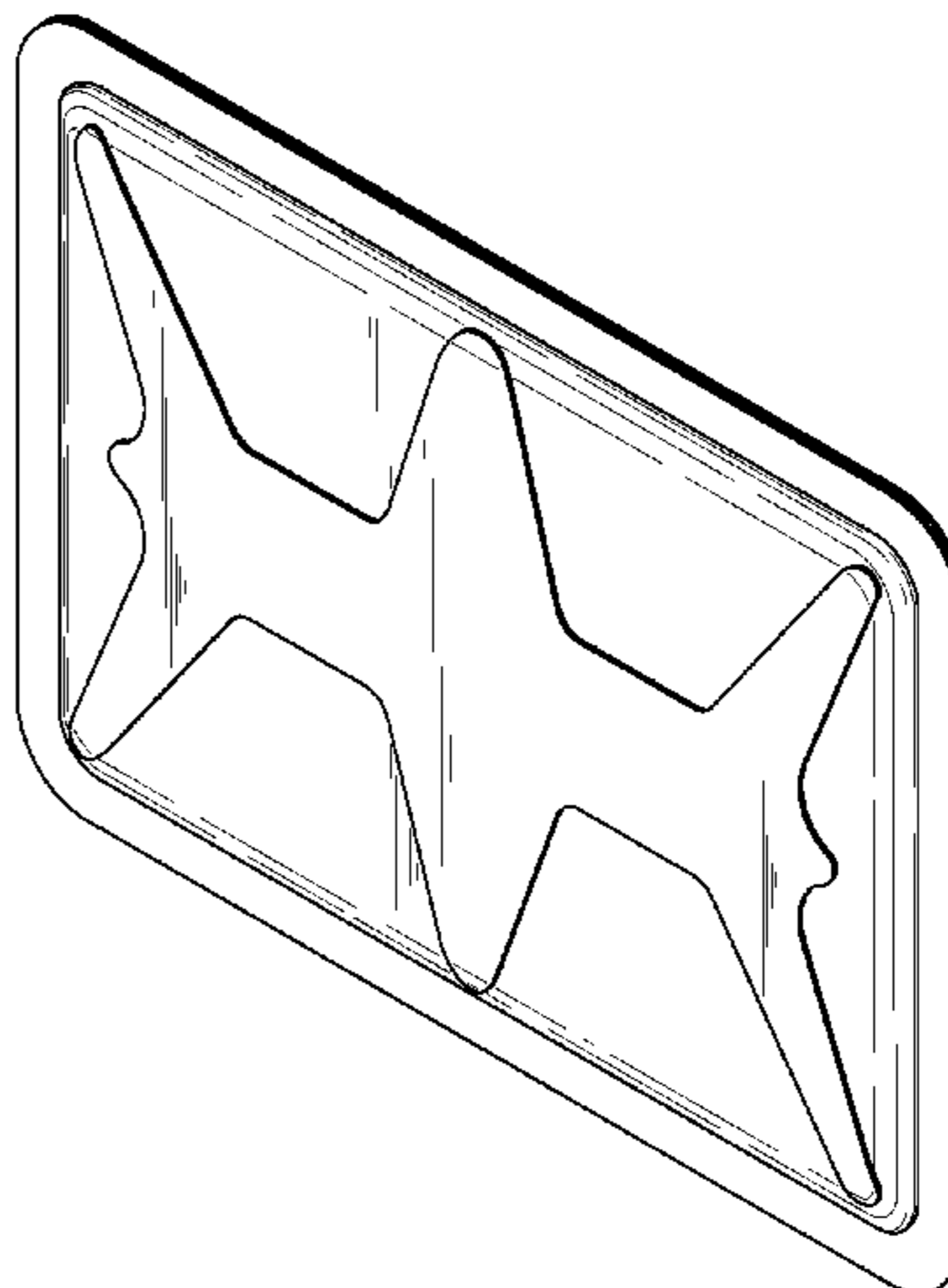
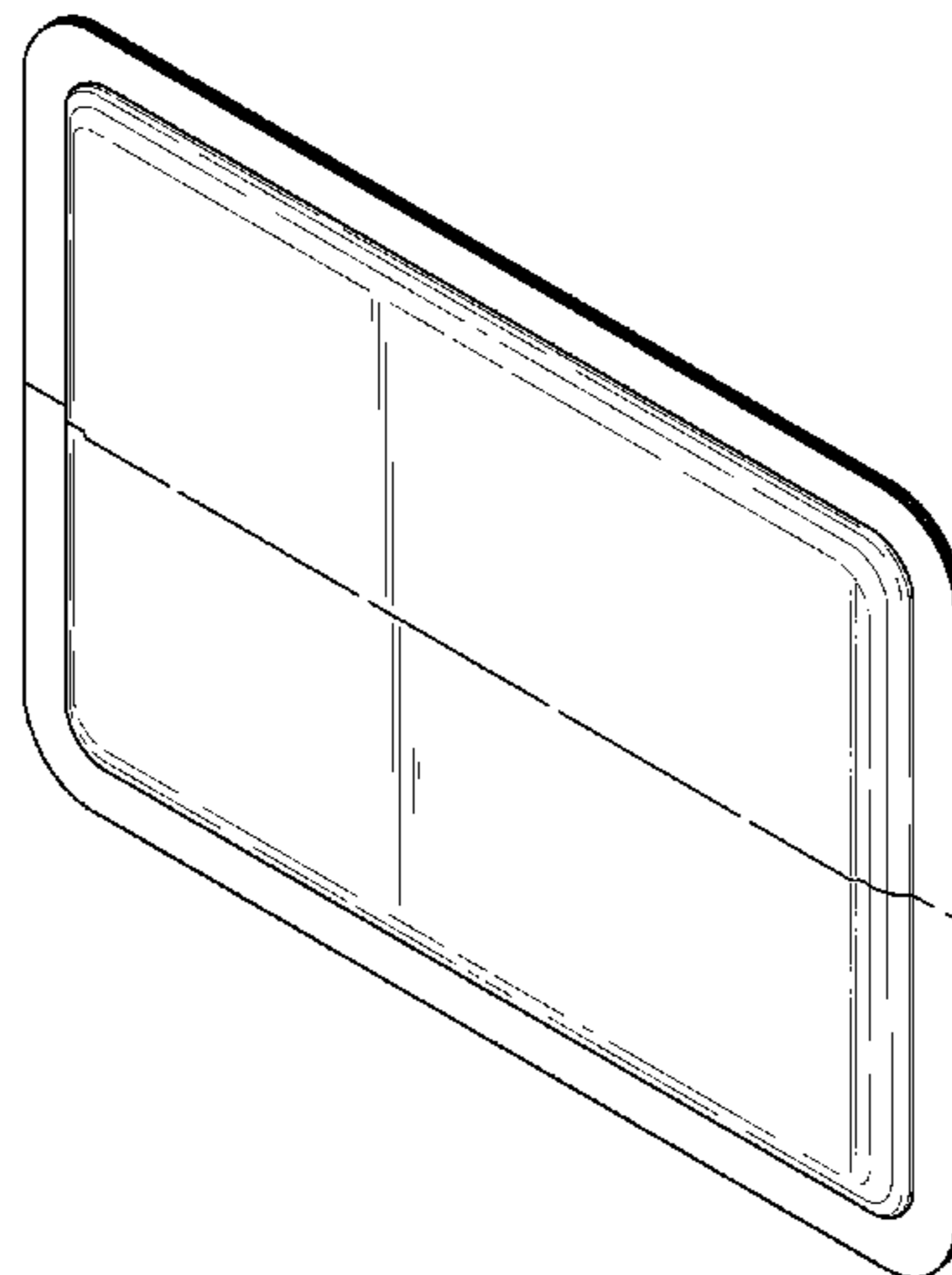
The ornamental design for a personal warming apparatus, as shown and described.

DESCRIPTION

FIG. 1 is a perspective view of a personal warming apparatus showing my new design having an outer release layer;
 FIG. 2 is a front view thereof;
 FIG. 3 is a rear view thereof;
 FIG. 4 is a left side view thereof;
 FIG. 5 is a right side view thereof;
 FIG. 6 is a top view thereof;
 FIG. 7 is a bottom view thereof;
 FIG. 8 is a perspective view thereof, showing the outer release layer of FIGS. 1 and 2 removed, exposing an inner release layer;
 FIG. 9 is a front view thereof;
 FIG. 10 is a rear view thereof;
 FIG. 11 is a left side view thereof;
 FIG. 12 is a right side view thereof;
 FIG. 13 is a top view thereof; and,
 FIG. 14 is a bottom view thereof.

The relatively light shade lines on the surface portions indicate contour and not surface decoration. The dark horizontal lines on the front surface of FIGS. 1, 2, 4 & 5 indicate slits and not surface decoration.

1 Claim, 8 Drawing Sheets



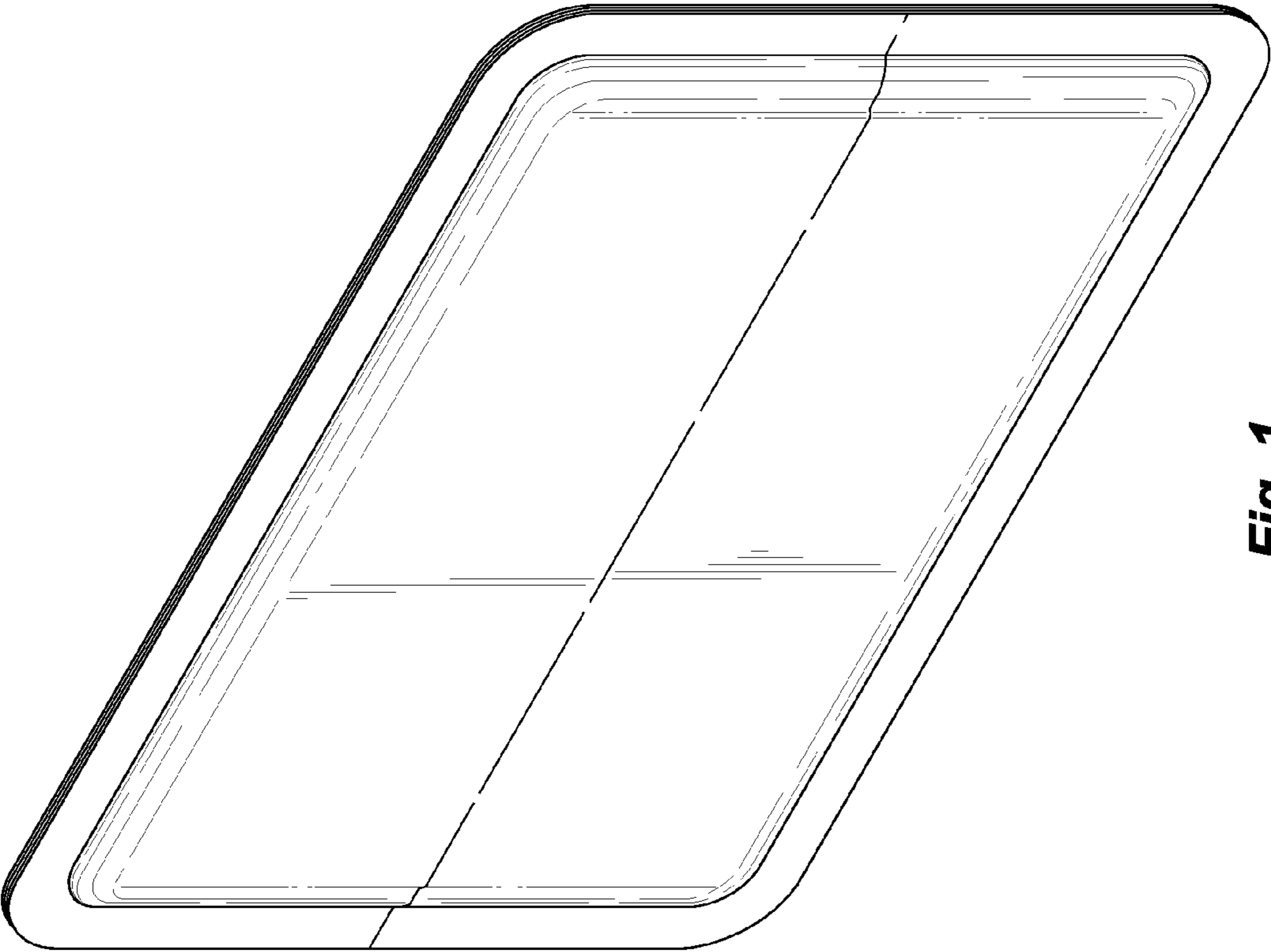


Fig. 1

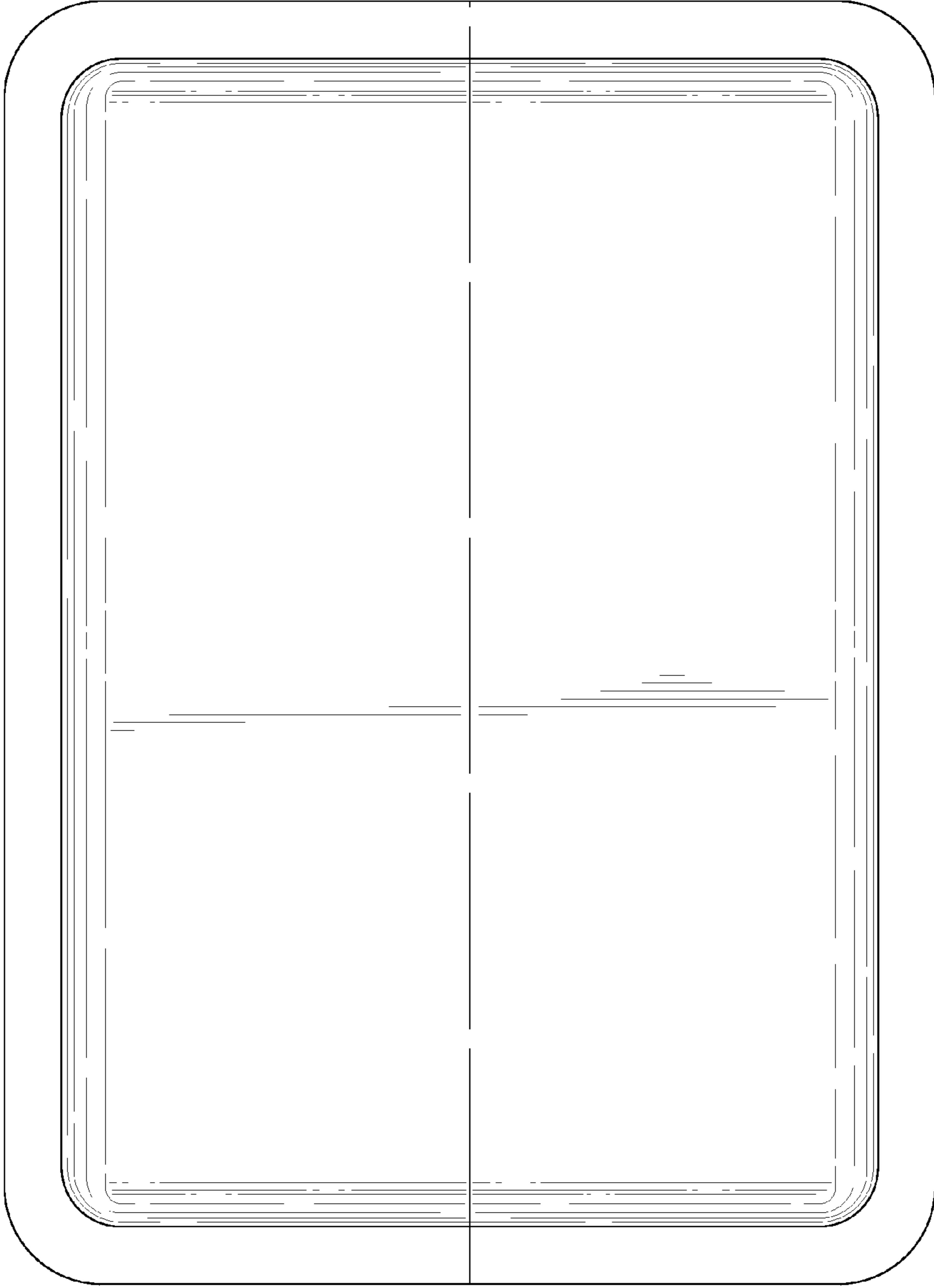


Fig. 2

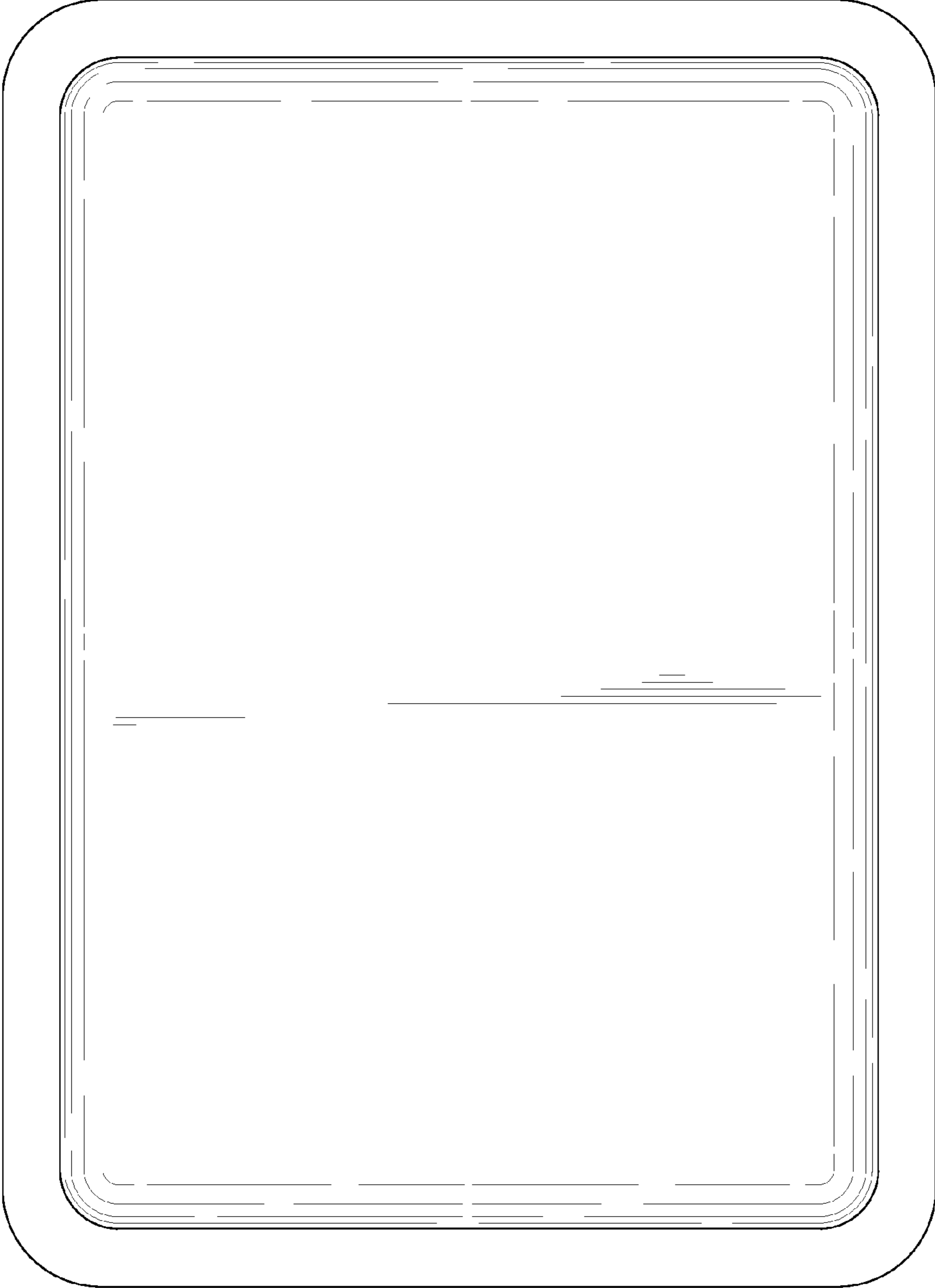


Fig. 3



Fig. 4



Fig. 5

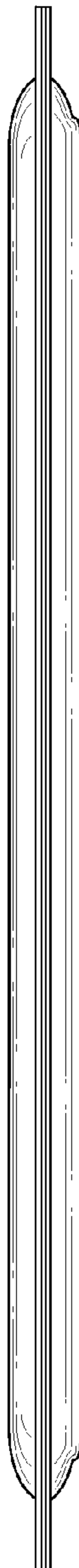


Fig. 6



Fig. 7

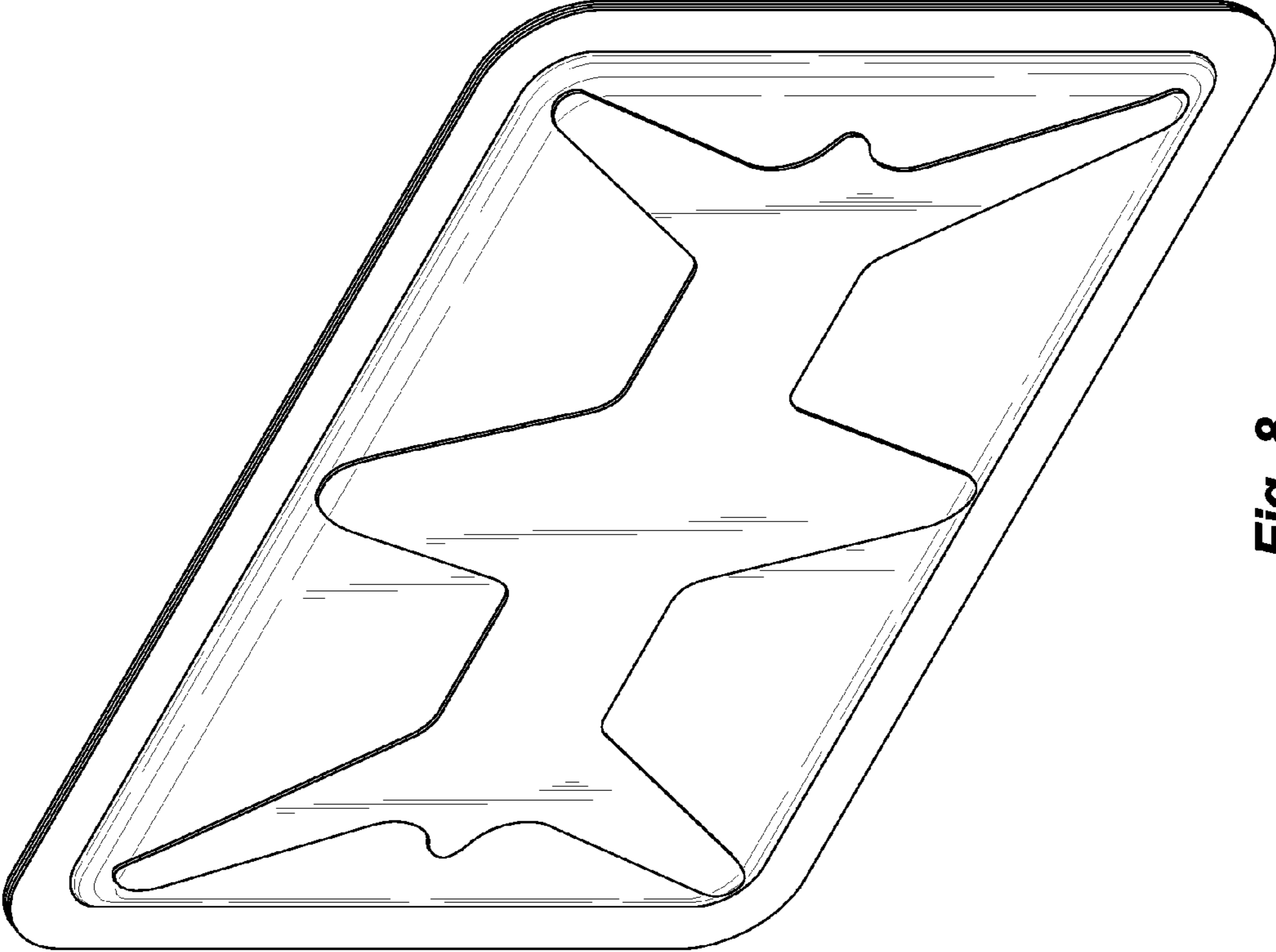


Fig. 8

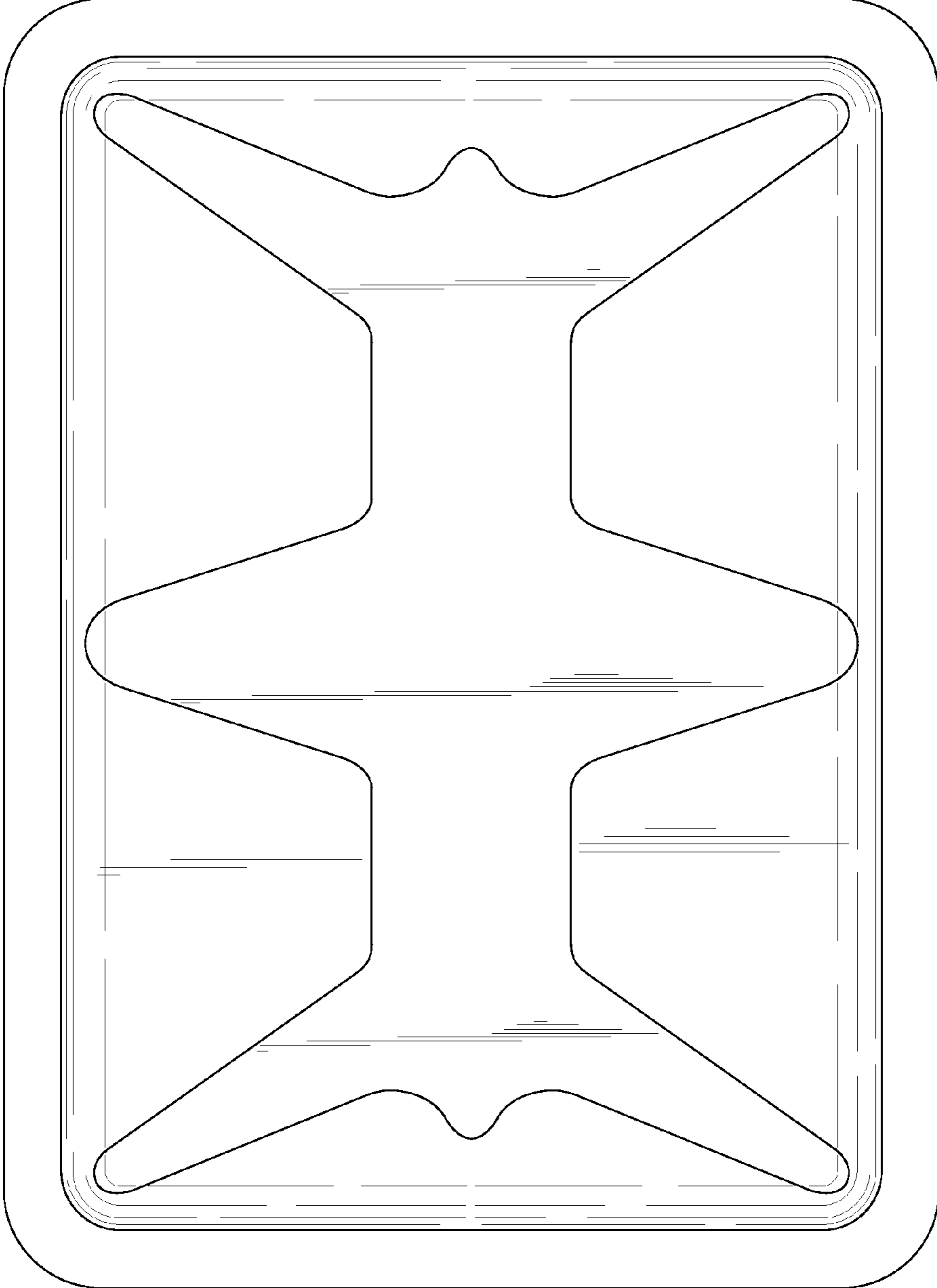


Fig. 9

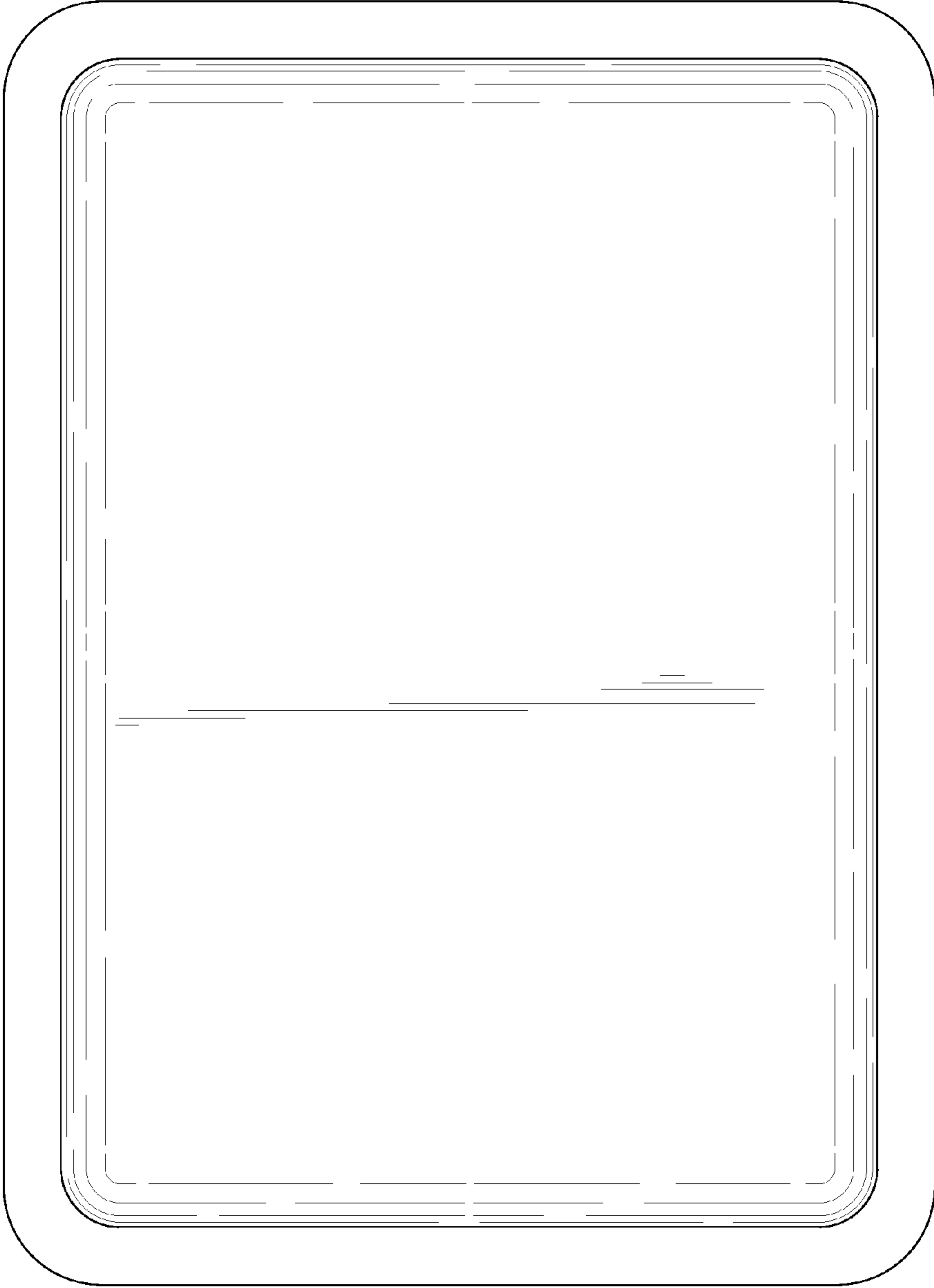


Fig. 10

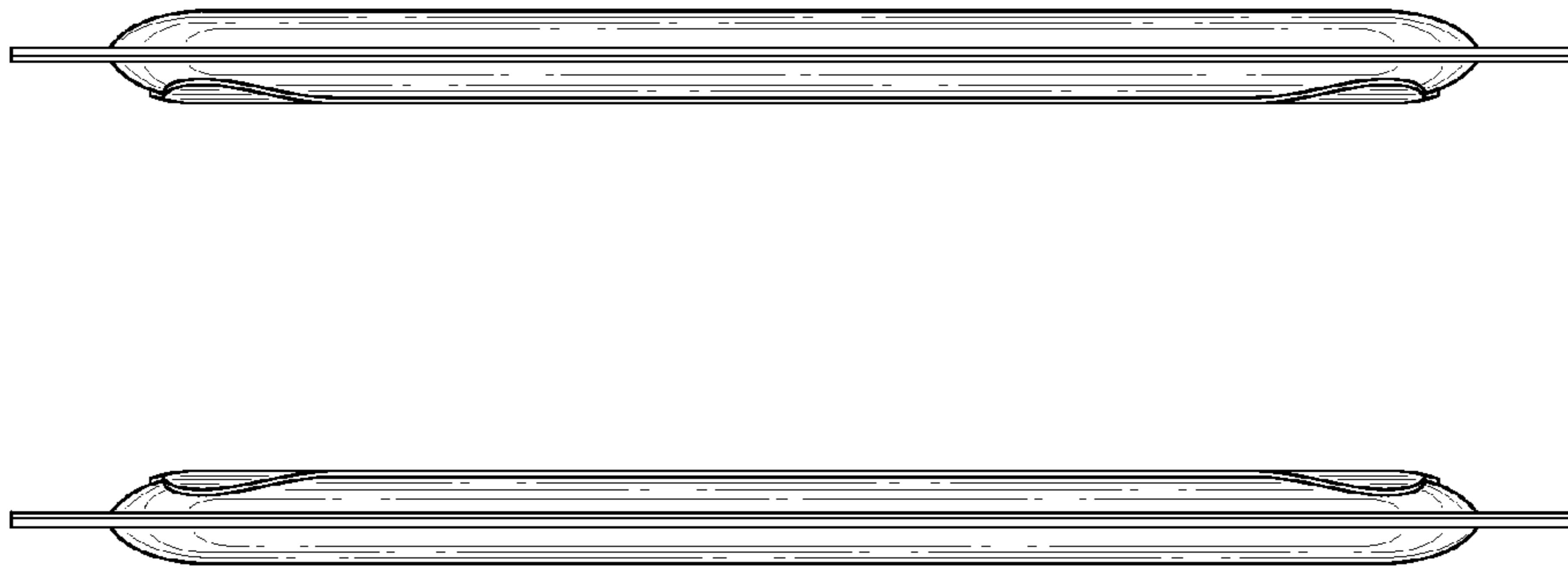


Fig. 11

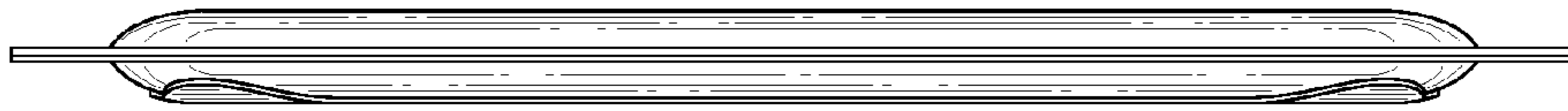


Fig. 12



Fig. 13

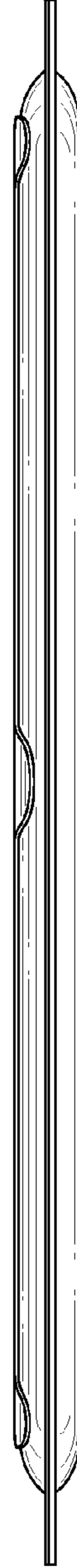


Fig. 14