



US00D690017S

(12) **United States Design Patent**
Tartaglia et al.

(10) **Patent No.:** **US D690,017 S**

(45) **Date of Patent:** **** Sep. 17, 2013**

(54) **APPARATUS FOR DOCTORS, HOSPITALS,
AND LABORATORIES**

(75) Inventors: **Giovanni Tartaglia**, Varese (IT);
Andrea Mazzucchelli, Daverio (IT);
Pietro Bernardini, Crosio Della Valle
(IT)

(73) Assignee: **Tecniplast S.p.A.**, Buguggiate (IT)

(**) Term: **14 Years**

(21) Appl. No.: **29/380,814**

(22) Filed: **Dec. 10, 2010**

(30) **Foreign Application Priority Data**

Jun. 10, 2010 (EM) 001219232-0002

(51) **LOC (9) Cl.** **24-00**

(52) **U.S. Cl.**
USPC **D24/185**

(58) **Field of Classification Search**

USPC 600/21, 22; 392/418; 435/303.2,
435/801, 809; 119/311, 416-421, 433, 435,
119/448, 453, 462, 463, 467, 470, 472, 474,
119/485, 493, 491, 498, 500, 651, 671, 677,
119/733, 741, 749, 751, 752, 798, 808;
D24/158, 163, 165, 185, 202, 205, 208, 216,
D24/223, 234; D14/250

See application file for complete search history.

(56) **References Cited**

U.S. PATENT DOCUMENTS

5,899,846 A * 5/1999 Sternberg et al. 600/21
5,915,072 A * 6/1999 Campbell et al. 392/418

(Continued)

FOREIGN PATENT DOCUMENTS

WO WO 2011/154502 A1 * 12/2011

Primary Examiner — Robert M Spear

Assistant Examiner — Rhea Shields

(74) *Attorney, Agent, or Firm* — LeClairRyan, a
Professional Corporation

(57) **CLAIM**

The ornamental design for an apparatus for doctors, hospitals,
and laboratories, as shown and described.

DESCRIPTION

FIG. 1 is a top front perspective view of the apparatus for
doctors, hospitals, and laboratories, including a top unit, a
base unit and a work plane positioned at a heightened or high
position.

FIG. 2 is a front elevation view of the apparatus for doctors,
hospitals, and laboratories, illustrated in FIG. 1.

FIG. 3 is a side elevation view of the apparatus for doctors,
hospitals, and laboratories, illustrated in FIG. 1.

FIG. 4 is a top perspective view of the base unit of the
apparatus for doctors, hospitals, and laboratories, illustrated
in FIG. 1; shown independent of the top unit, and with the
work plane in a recessed or low position.

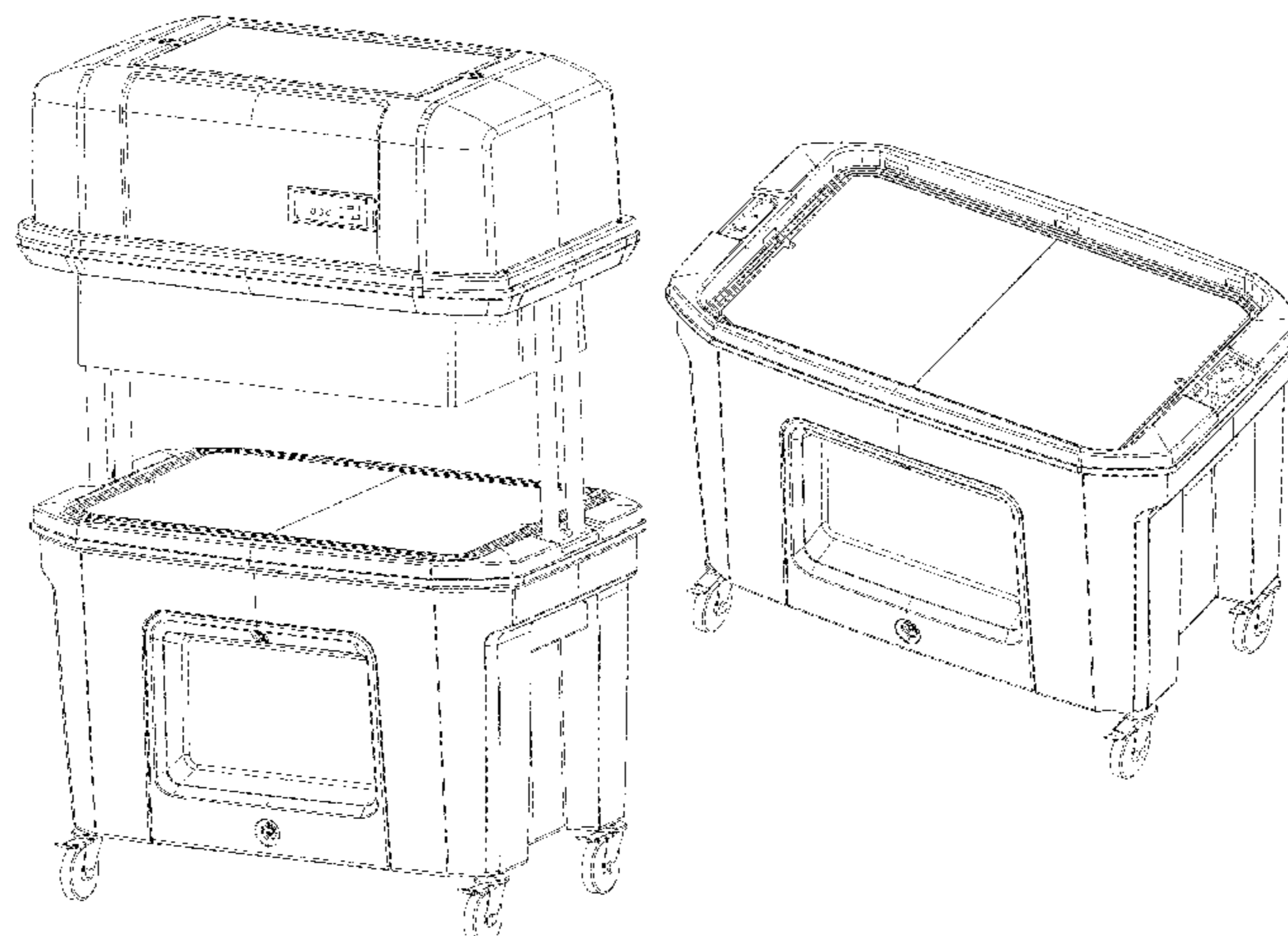
FIG. 5 is a top perspective view of the base unit of the
apparatus for doctors, hospitals, and laboratories, illustrated
in FIG. 1; shown independent of the top unit, and with the
work plane removed from the base; and,

FIG. 6 is a top perspective view of the base unit of the
apparatus for doctors, hospitals, and laboratories, illustrated
in FIG. 1; shown independent of the top unit, and with the
work plane positioned at a heightened or high position.

The designations of the views below as top, side, and front are
for ease of discussion only and are not intended to limit the
apparatus for doctors, hospitals, and laboratories to one par-
ticular orientation. The apparatus for doctors, hospitals, and
laboratories can be oriented in other directions which would
alter these designations. The drawings illustrated in FIGS. 1-6
are not necessarily drawn to the same scale, and any change in
scale between different views is not intended limit the appa-
ratus for doctors, hospitals, and laboratories to a particular
size.

The exemplary apparatus for doctors, hospitals, and labora-
tories is formed of or comprises a plastic material.

1 Claim, 6 Drawing Sheets



US D690,017 S

Page 2

(56)

References Cited

U.S. PATENT DOCUMENTS

6,465,244 B1 * 10/2002 Annable et al. 435/303.2
6,588,373 B1 * 7/2003 Strzempko et al. 119/496
6,969,346 B2 * 11/2005 Perlatti 600/21

D601,704 S * 10/2009 Chilton et al. D24/163
D604,416 S * 11/2009 Chilton et al. D24/163
D651,714 S * 1/2012 Dougherty D24/164
2002/0045796 A1 * 4/2002 O'Connor et al. 600/21

* cited by examiner

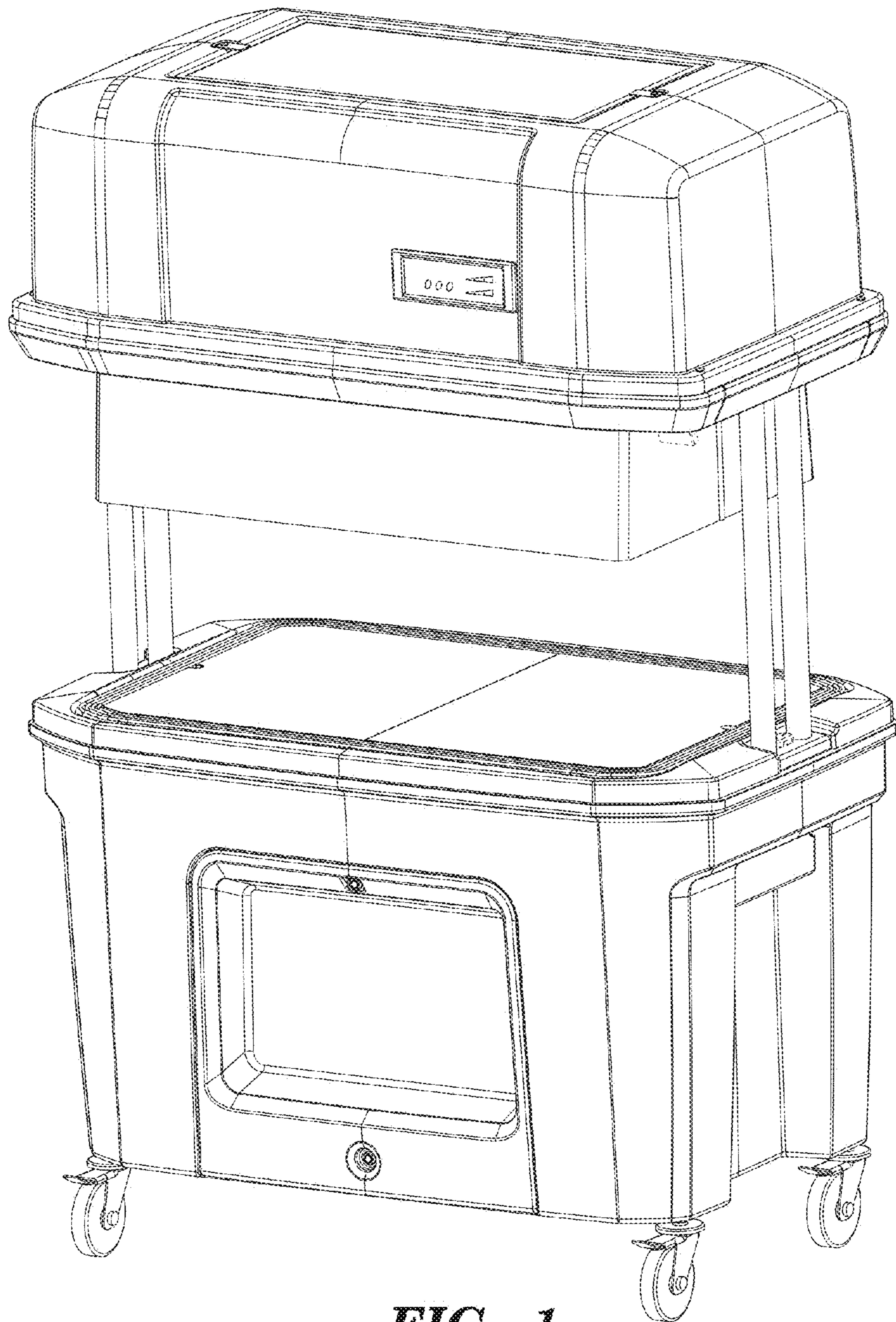


FIG. 1

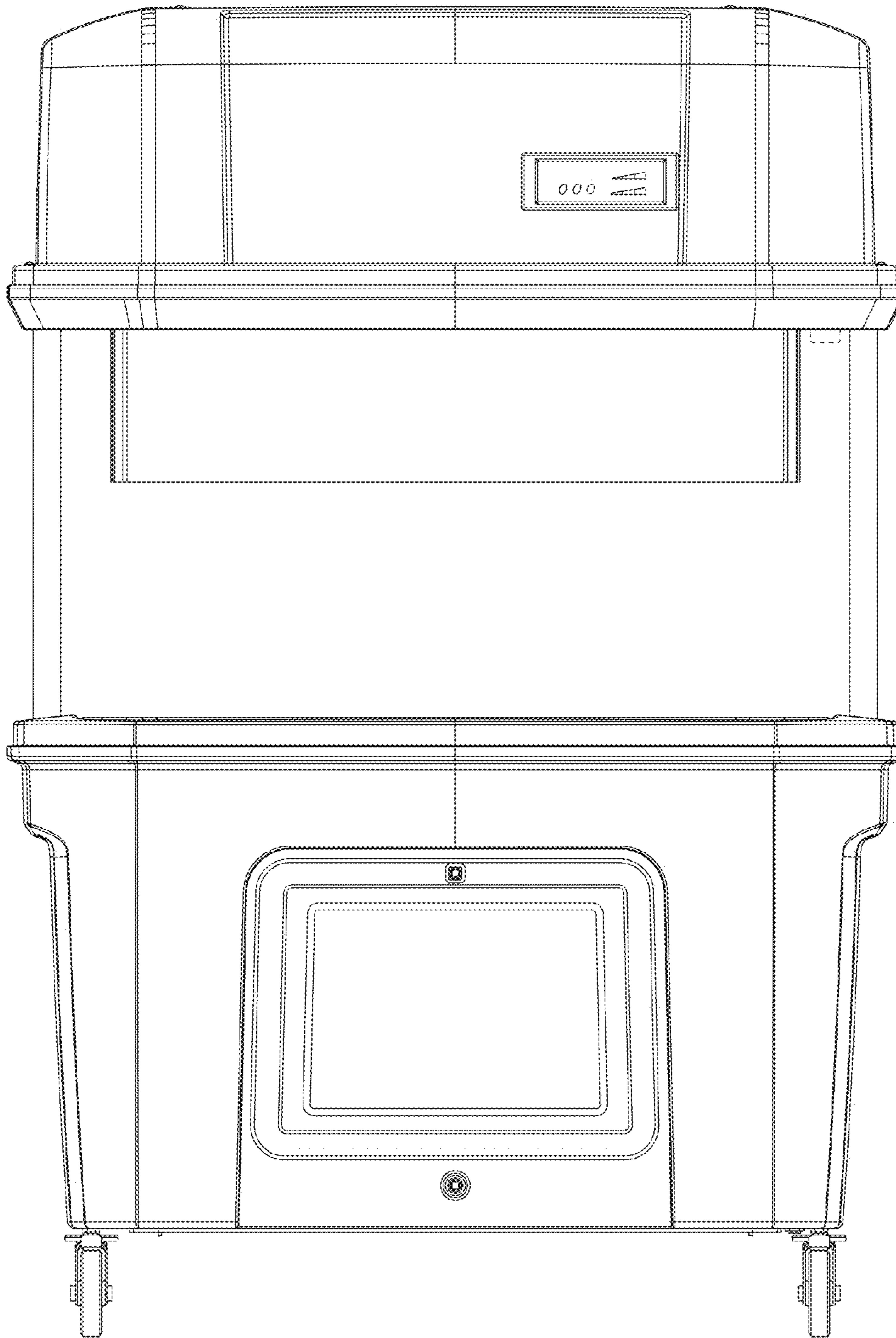


FIG. 2

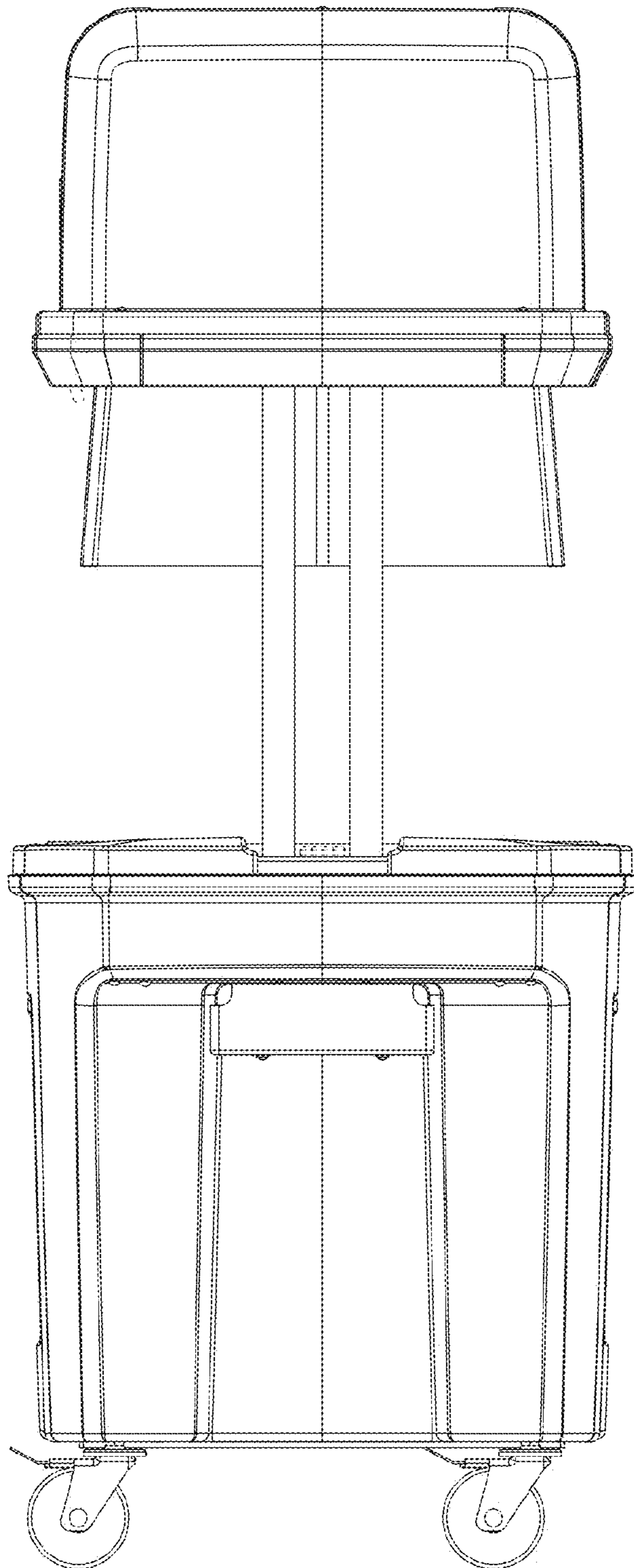


FIG. 3

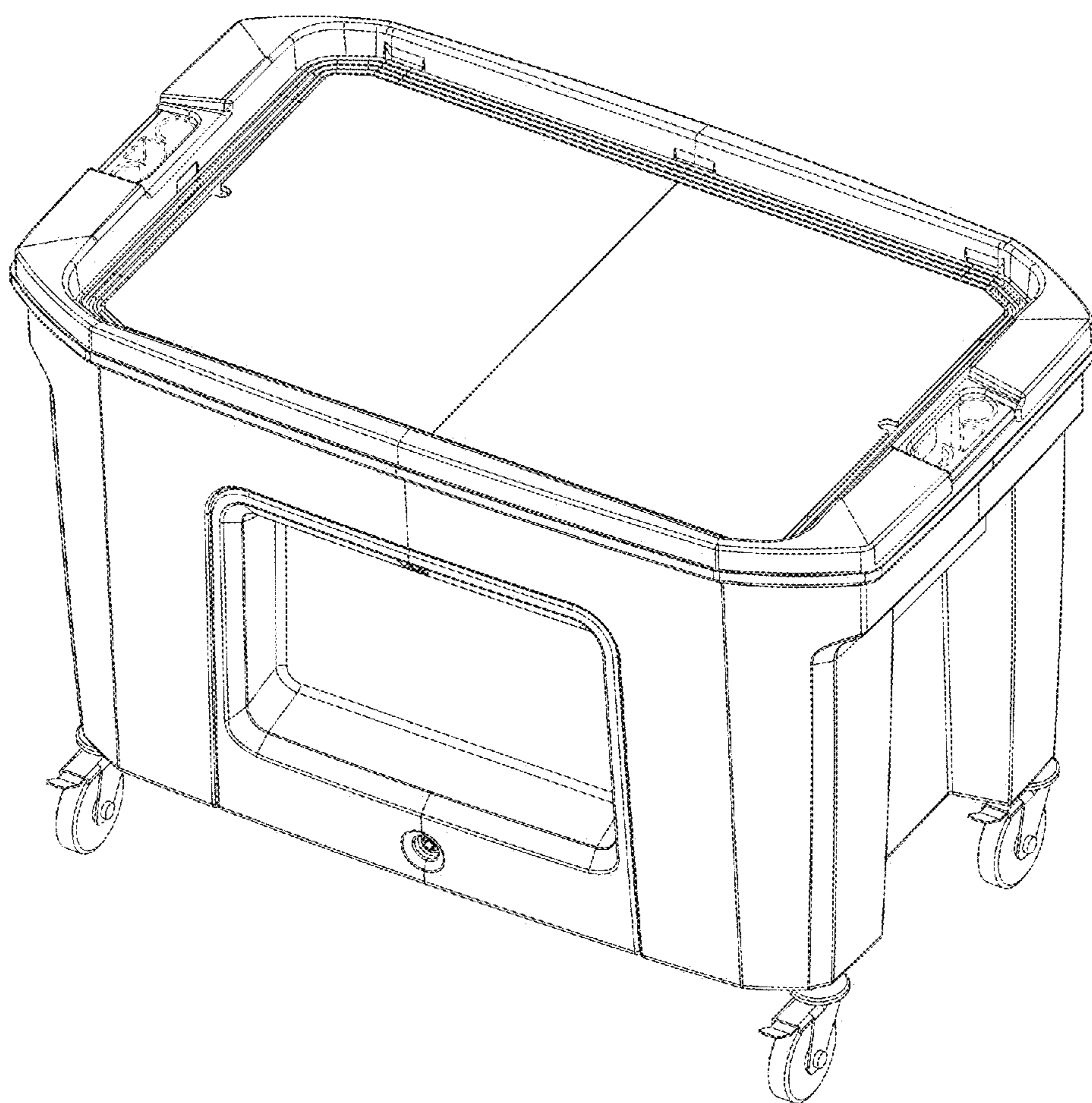


FIG. 4

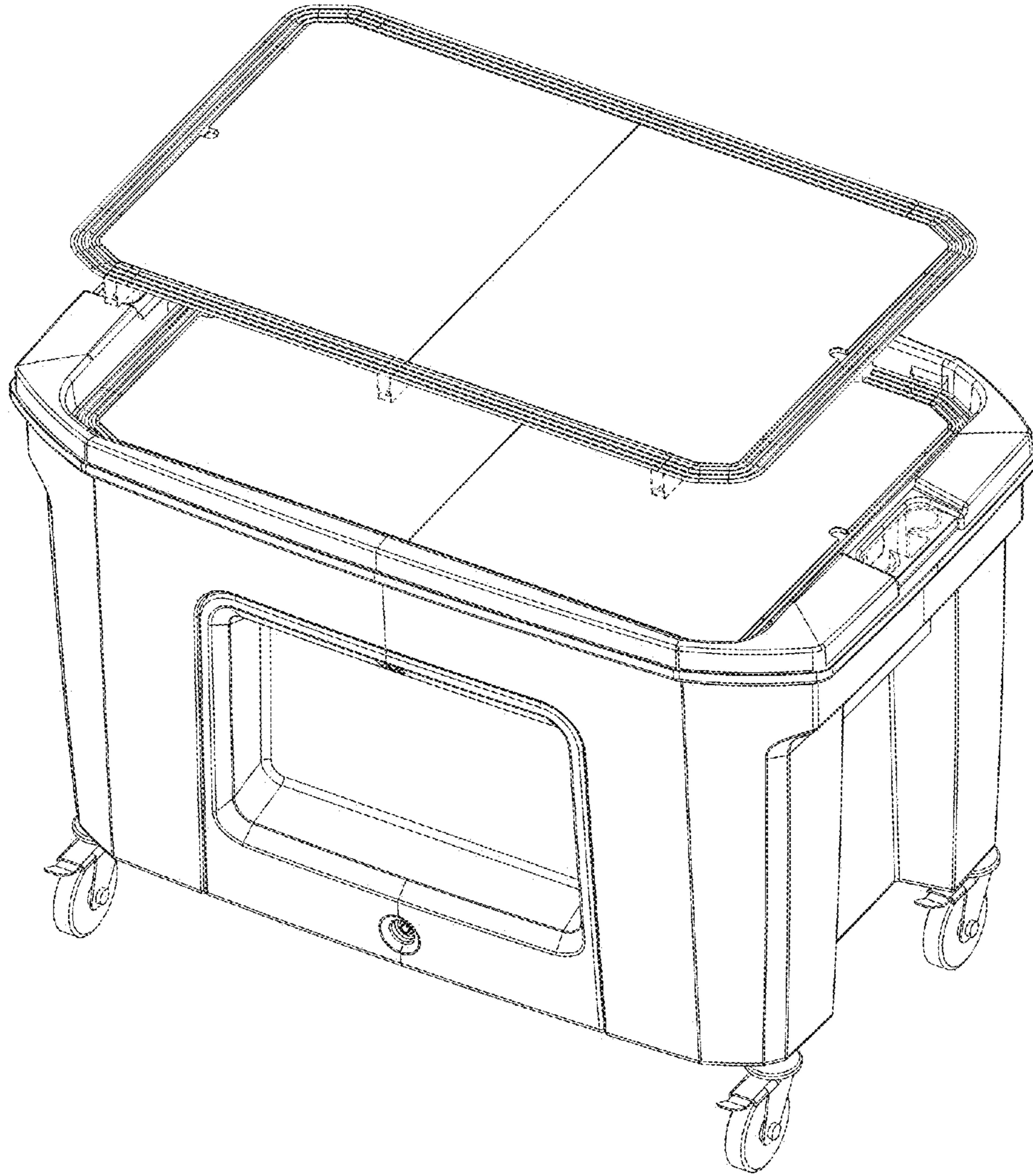


FIG. 5

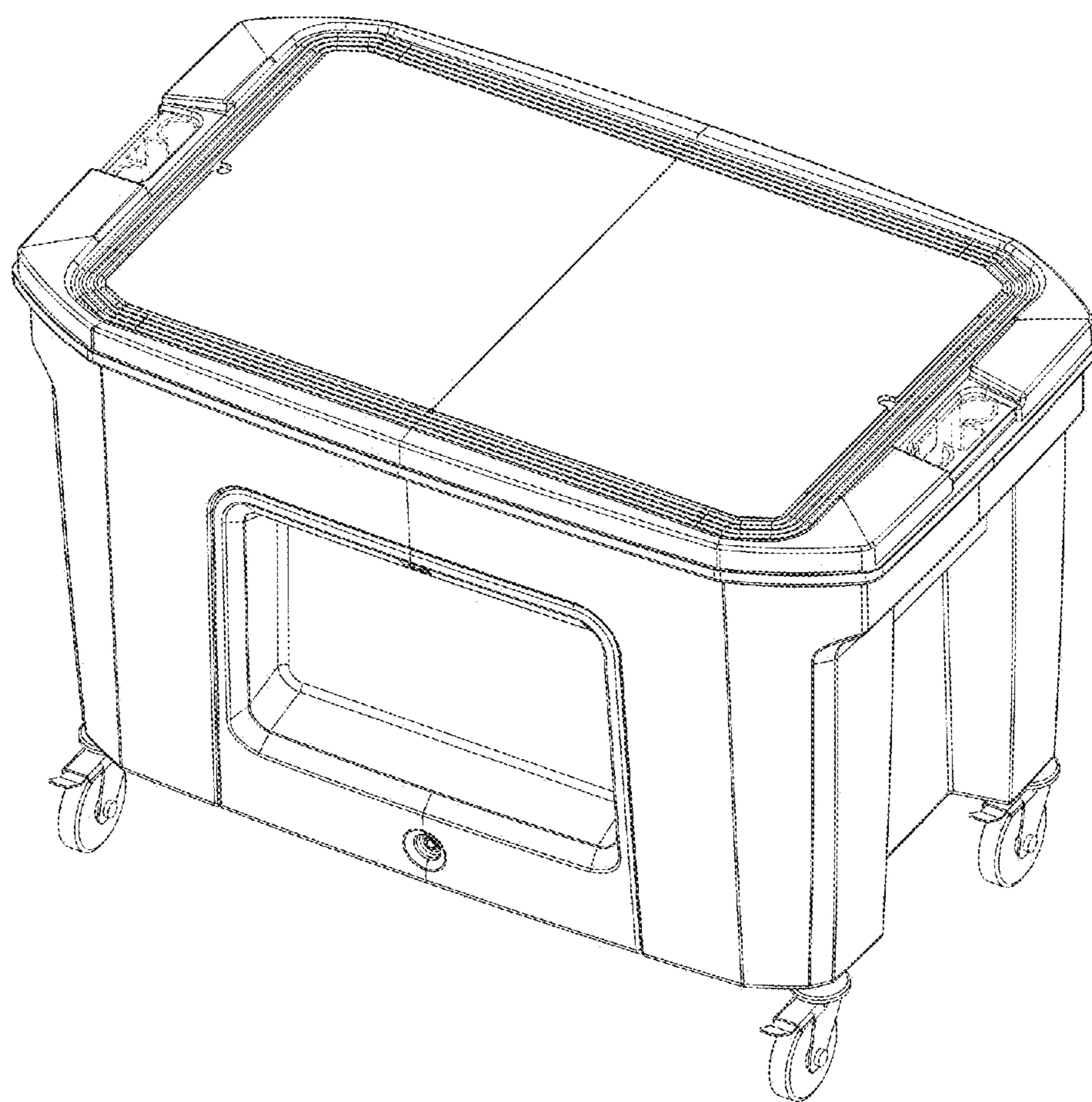


FIG. 6