



US00D690012S

(12) **United States Design Patent**  
**Yanase et al.**

(10) **Patent No.:** **US D690,012 S**

(45) **Date of Patent:** **\*\* Sep. 17, 2013**

(54) **MOBILE X-RAY APPARATUS**

(75) Inventors: **Kazuyuki Yanase**, Tokyo (JP); **Atsushi Ninomiya**, Tokyo (JP); **Masaru Yokoyama**, Tokyo (JP); **Shinya Kitamura**, Tokyo (JP); **Miyuki Fuse**, Tokyo (JP); **Akira Kojima**, Tokyo (JP)

(73) Assignee: **Hitachi Medical Corporation**, Tokyo (JP)

(\*\*) Term: **14 Years**

(21) Appl. No.: **29/420,404**

(22) Filed: **May 9, 2012**

(30) **Foreign Application Priority Data**

Nov. 18, 2011 (JP) ..... 2011-26693

(51) **LOC (9) Cl.** ..... **24-01**

(52) **U.S. Cl.**  
USPC ..... **D24/158**

(58) **Field of Classification Search**  
USPC ..... D24/158-161, 185, 186; 378/4, 378/15, 17, 20, 21, 23-27, 62, 68, 146, 195-198  
See application file for complete search history.

(56) **References Cited**

**U.S. PATENT DOCUMENTS**

5,206,894 A \* 4/1993 Makrinos et al. .... 378/93  
D568,481 S \* 5/2008 Martinson ..... D24/185  
D617,906 S \* 6/2010 Nakahara et al. .... D24/158  
7,874,728 B2 \* 1/2011 Fan ..... 378/198

D657,875 S \* 4/2012 Yanase et al. .... D24/158  
2006/0034427 A1 \* 2/2006 Brooks ..... 378/198  
2007/0133753 A1 \* 6/2007 Jakob et al. .... 378/198  
2009/0202038 A1 \* 8/2009 Wu et al. .... 378/62  
2010/0329427 A1 \* 12/2010 Takae et al. .... 378/98.5  
2011/0249807 A1 \* 10/2011 Dirisio et al. .... 378/198

\* cited by examiner

*Primary Examiner* — Anhdao Doan

(74) *Attorney, Agent, or Firm* — Antonelli, Terry, Stout & Kraus, LLP.

(57) **CLAIM**

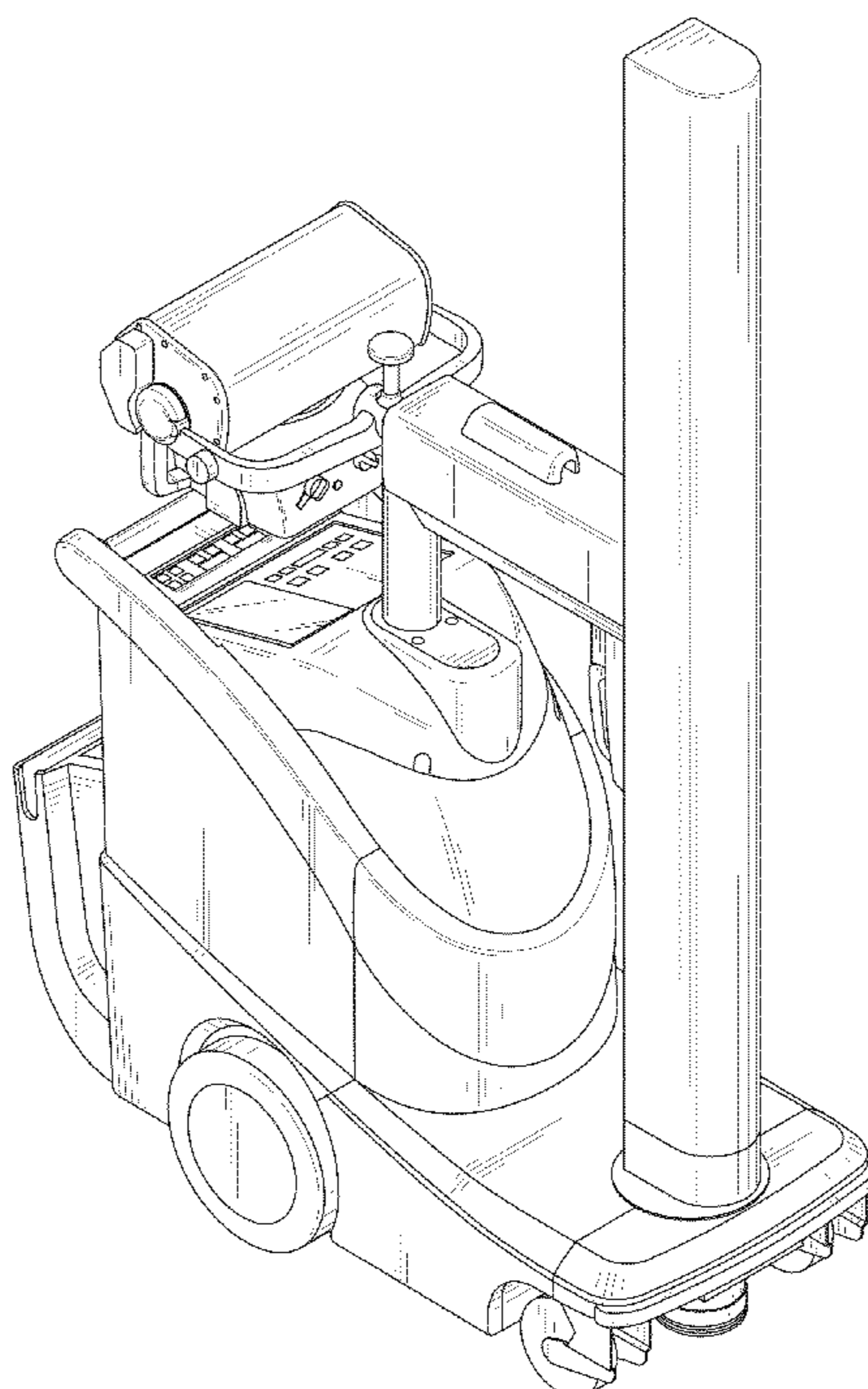
We claim the ornamental design for a mobile x-ray apparatus, as shown and described.

**DESCRIPTION**

FIG. 1 is a front, top and left side perspective view of a mobile x-ray apparatus showing our new design;  
FIG. 2 is a front elevational view thereof;  
FIG. 3 is a rear side elevational view thereof;  
FIG. 4 is a left side elevational view thereof;  
FIG. 5 is a right side elevational view thereof;  
FIG. 6 is a top plan view thereof;  
FIG. 7 is a bottom plan view thereof;  
FIG. 8 is a right side elevational view of one use form thereof;  
FIG. 9 is a right side elevational view of another use form thereof; and,  
FIG. 10 is a top plan view of the use form thereof shown in FIG. 9.

The broken lines in the drawing views are included for the purpose of illustrating portions of the mobile x-ray apparatus that form no part of the claimed design.

**1 Claim, 8 Drawing Sheets**



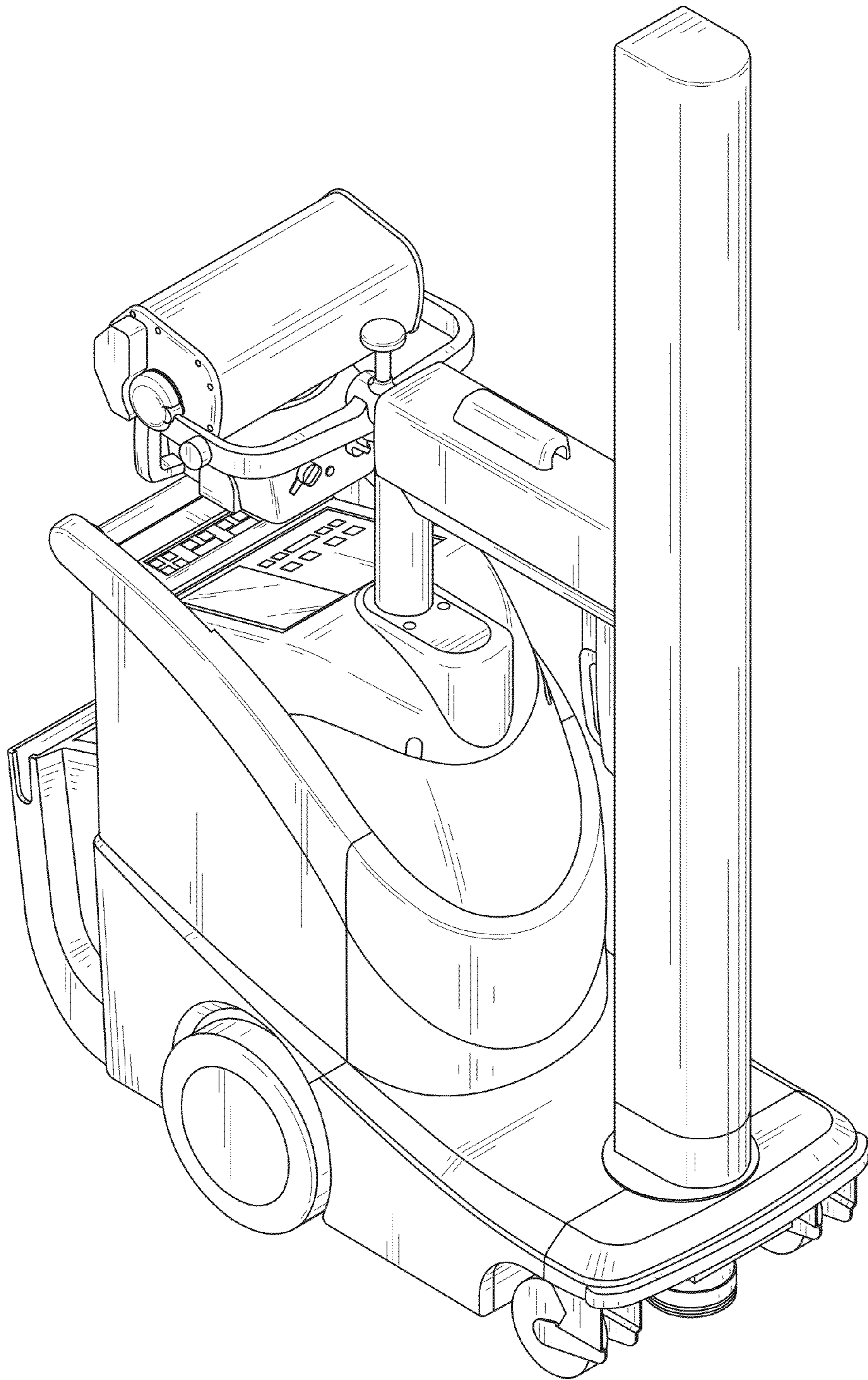
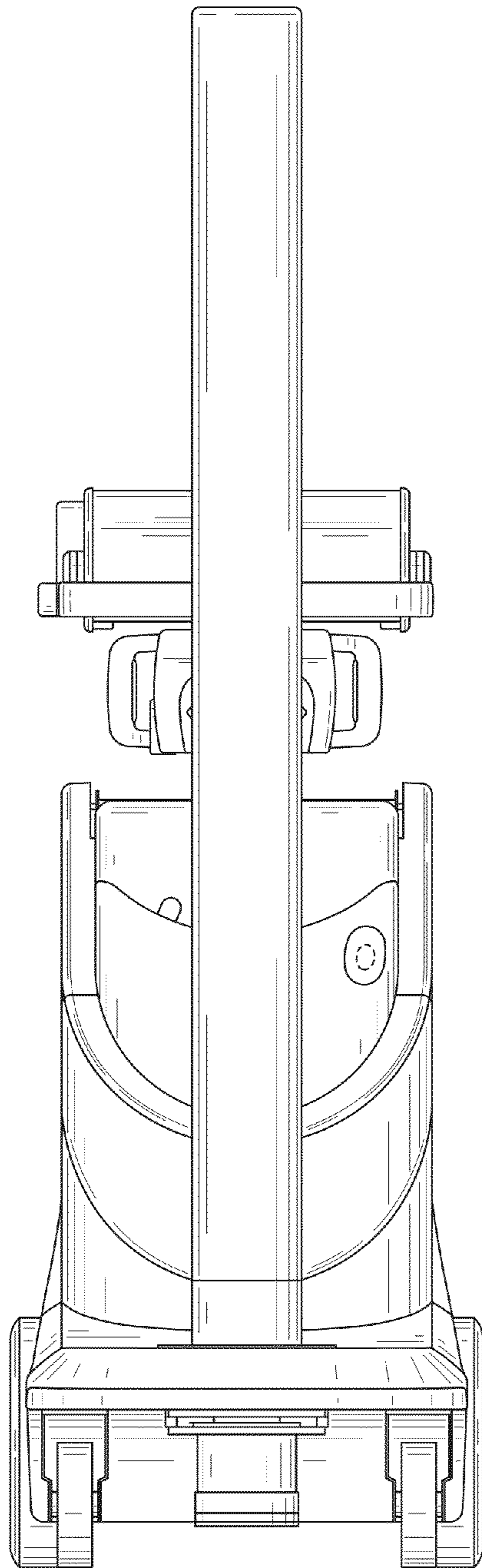
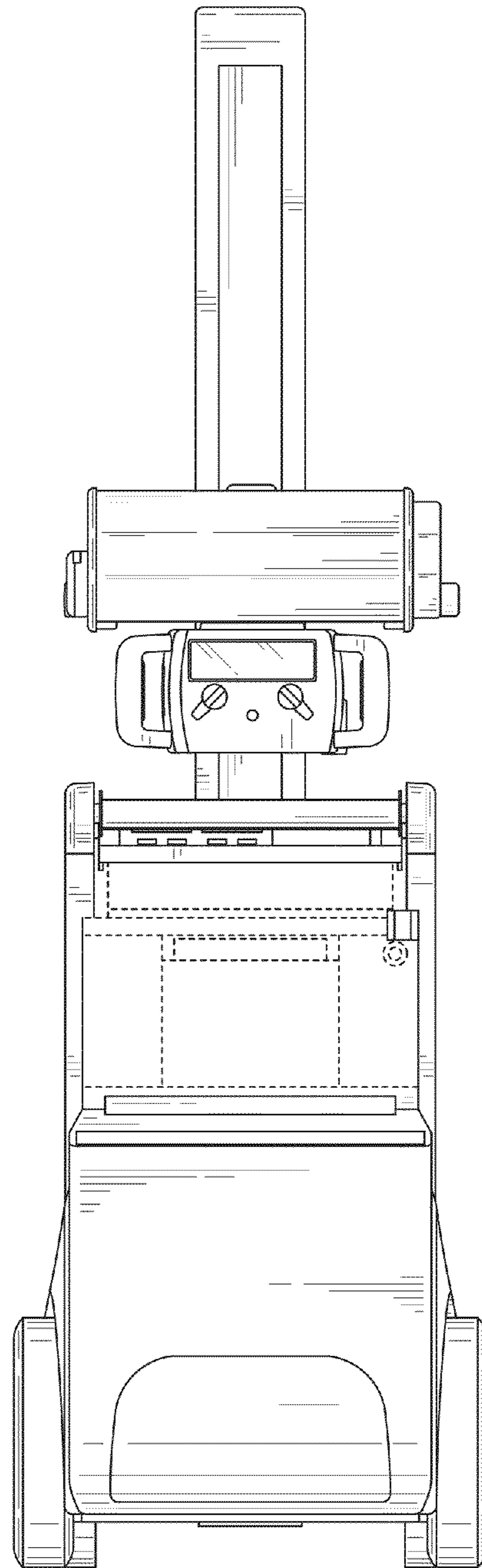


FIG. 1





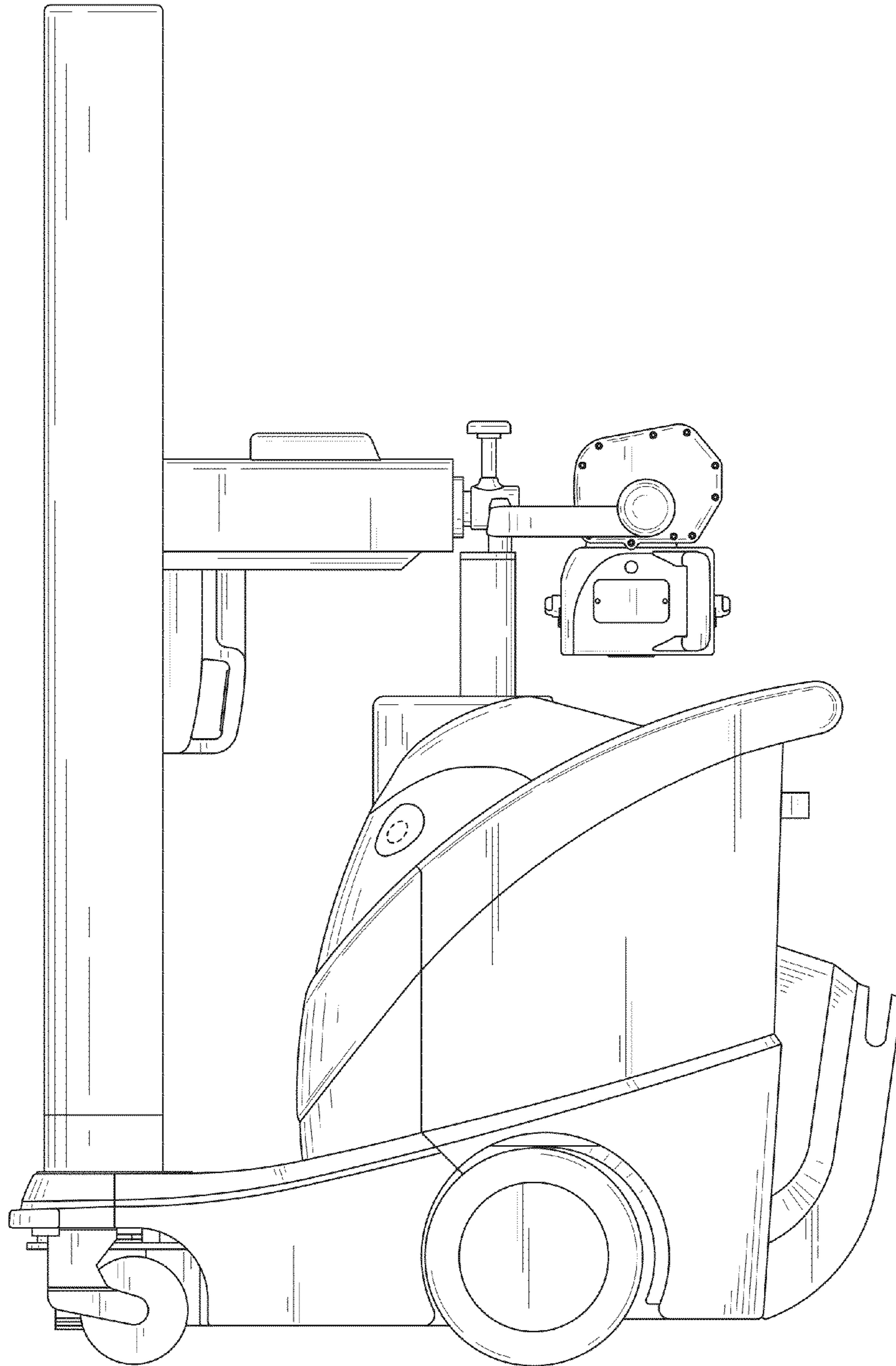
**FIG. 2**



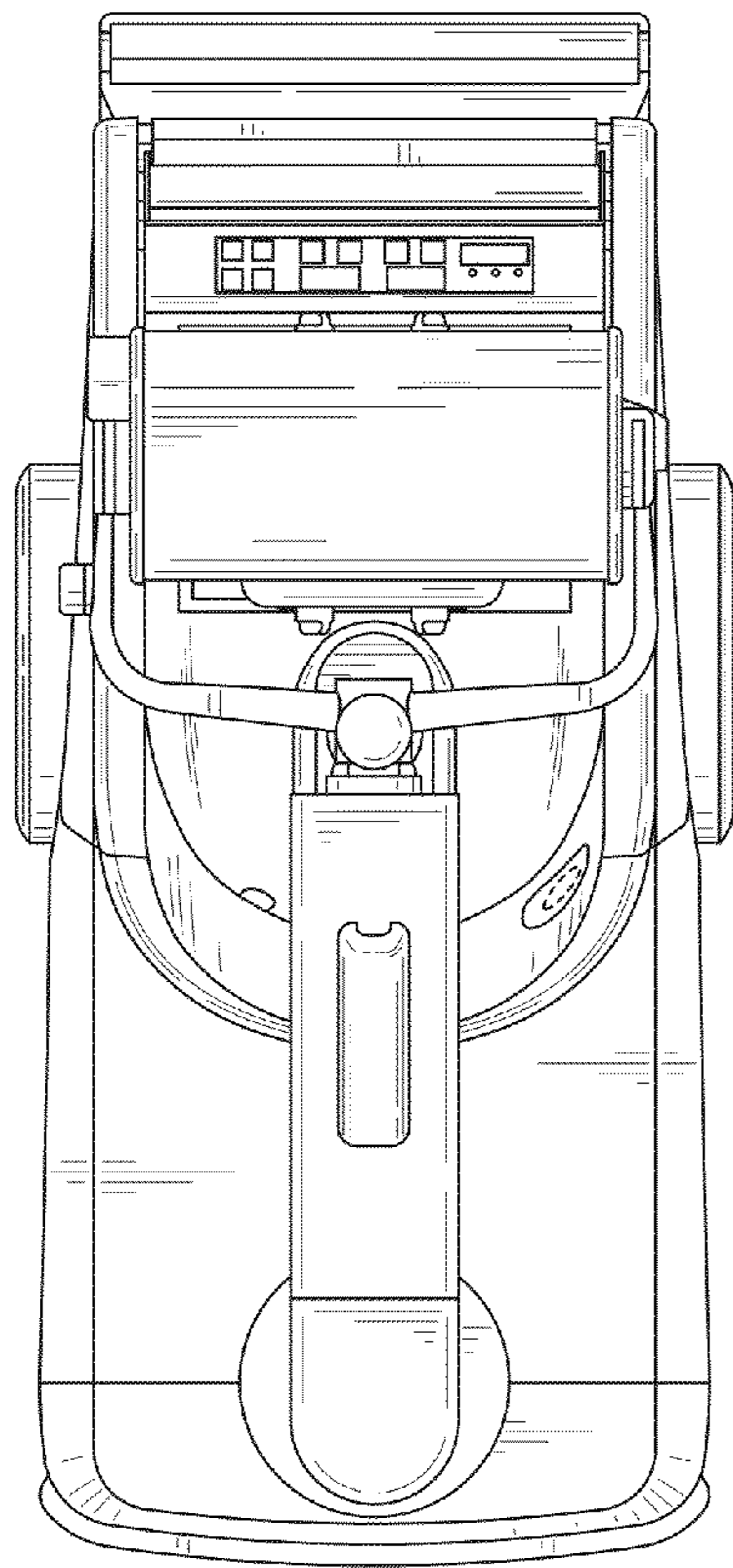
**FIG. 3**



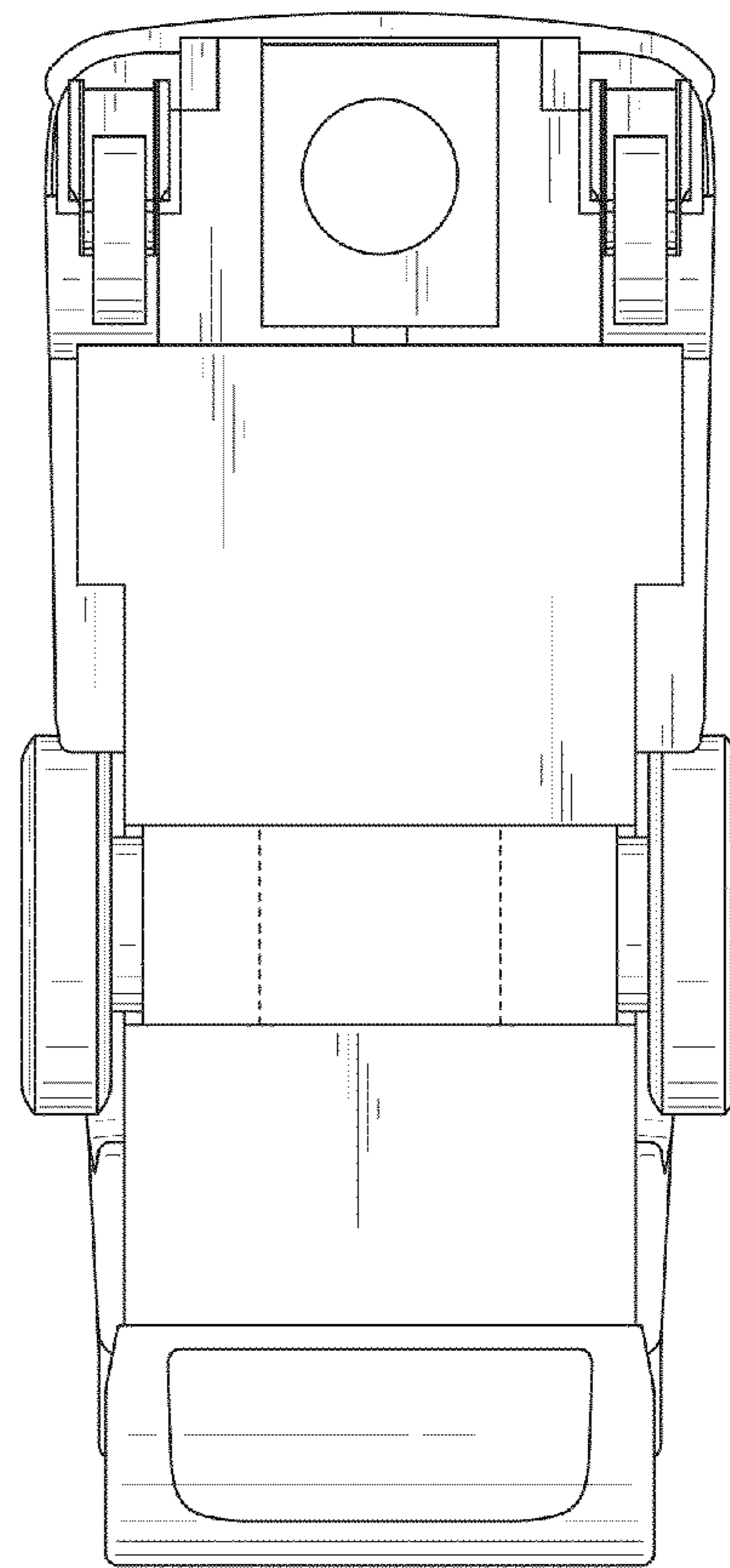
FIG. 4



**FIG. 5**

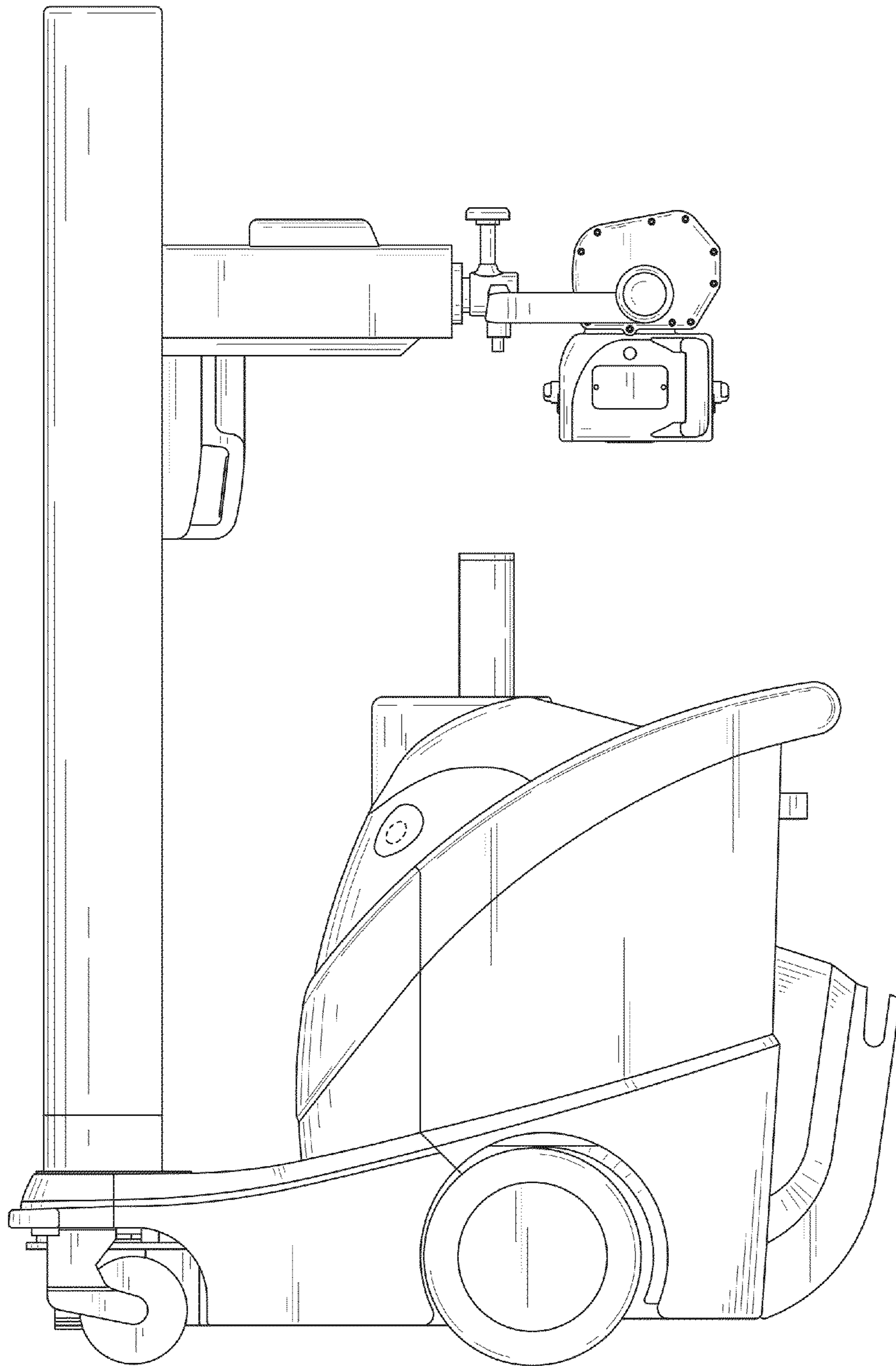


**FIG. 6**

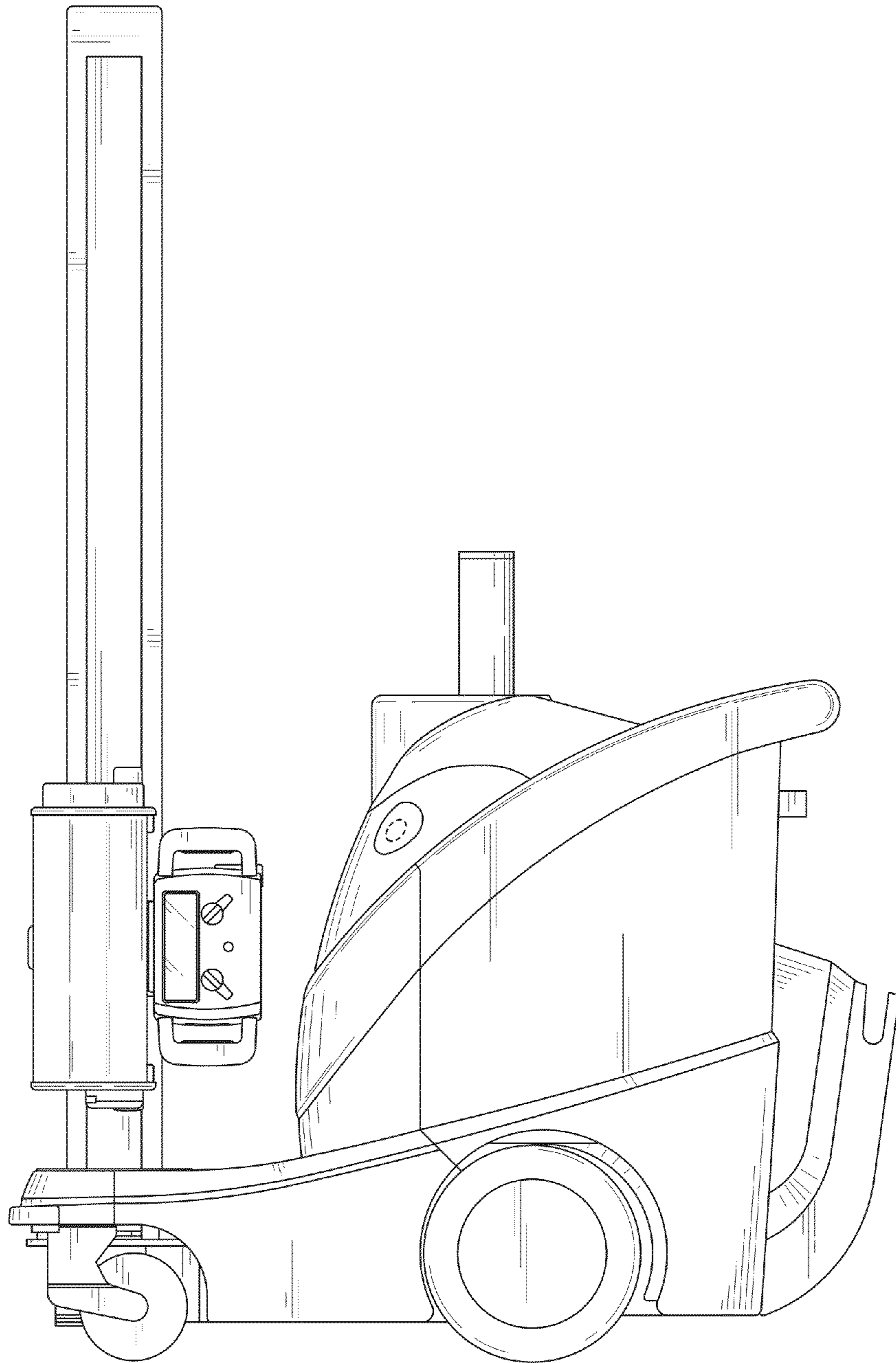


**FIG. 7**



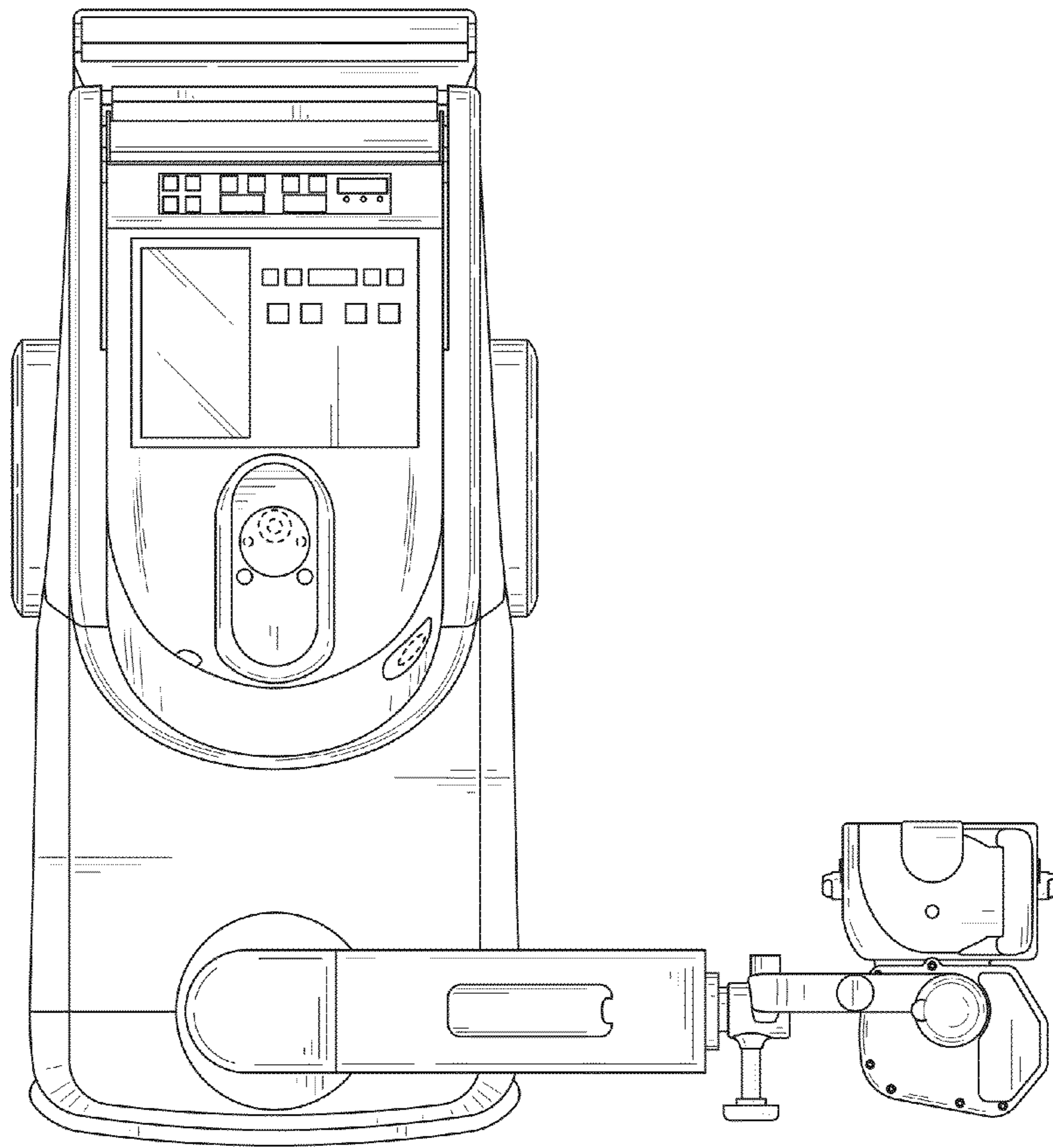


**FIG. 8**



**FIG. 9**





**FIG. 10**