



US00D690011S

(12) **United States Design Patent**
Yanase et al.

(10) **Patent No.:** **US D690,011 S**
(45) **Date of Patent:** **** Sep. 17, 2013**

(54) **MOBILE X-RAY APPARATUS**

(75) Inventors: **Kazuyuki Yanase**, Tokyo (JP); **Atsushi Ninomiya**, Tokyo (JP); **Masaru Yokoyama**, Tokyo (JP); **Shinya Kitamura**, Tokyo (JP); **Miyuki Fuse**, Tokyo (JP); **Akira Kojima**, Tokyo (JP)

(73) Assignee: **Hitachi Medical Corporation**, Tokyo (JP)

(**) Term: **14 Years**

(21) Appl. No.: **29/420,403**

(22) Filed: **May 9, 2012**

(30) **Foreign Application Priority Data**

Nov. 18, 2011 (JP) 2011-26692

(51) **LOC (9) Cl.** **24-01**

(52) **U.S. Cl.**
USPC **D24/158**

(58) **Field of Classification Search**
USPC D24/158-161, 185, 186; 378/4, 378/15, 17, 20, 21, 23-27, 62, 68, 146, 195-198
See application file for complete search history.

(56) **References Cited**

U.S. PATENT DOCUMENTS

5,206,894 A * 4/1993 Makrinos et al. 378/93
D568,481 S * 5/2008 Martinson D24/185
D617,906 S * 6/2010 Nakahara et al. D24/158
7,874,728 B2 * 1/2011 Fan 378/198

D657,875 S * 4/2012 Yanase et al. D24/158
2006/0034427 A1 * 2/2006 Brooks 378/198
2007/0133753 A1 * 6/2007 Jakob et al. 378/198
2009/0202038 A1 * 8/2009 Wu et al. 378/62
2010/0329427 A1 * 12/2010 Takae et al. 378/98.5
2011/0249807 A1 * 10/2011 Dirisio et al. 378/198

* cited by examiner

Primary Examiner — Anhdao Doan

(74) *Attorney, Agent, or Firm* — Antonelli, Terry, Stout & Kraus, LLP.

(57) **CLAIM**

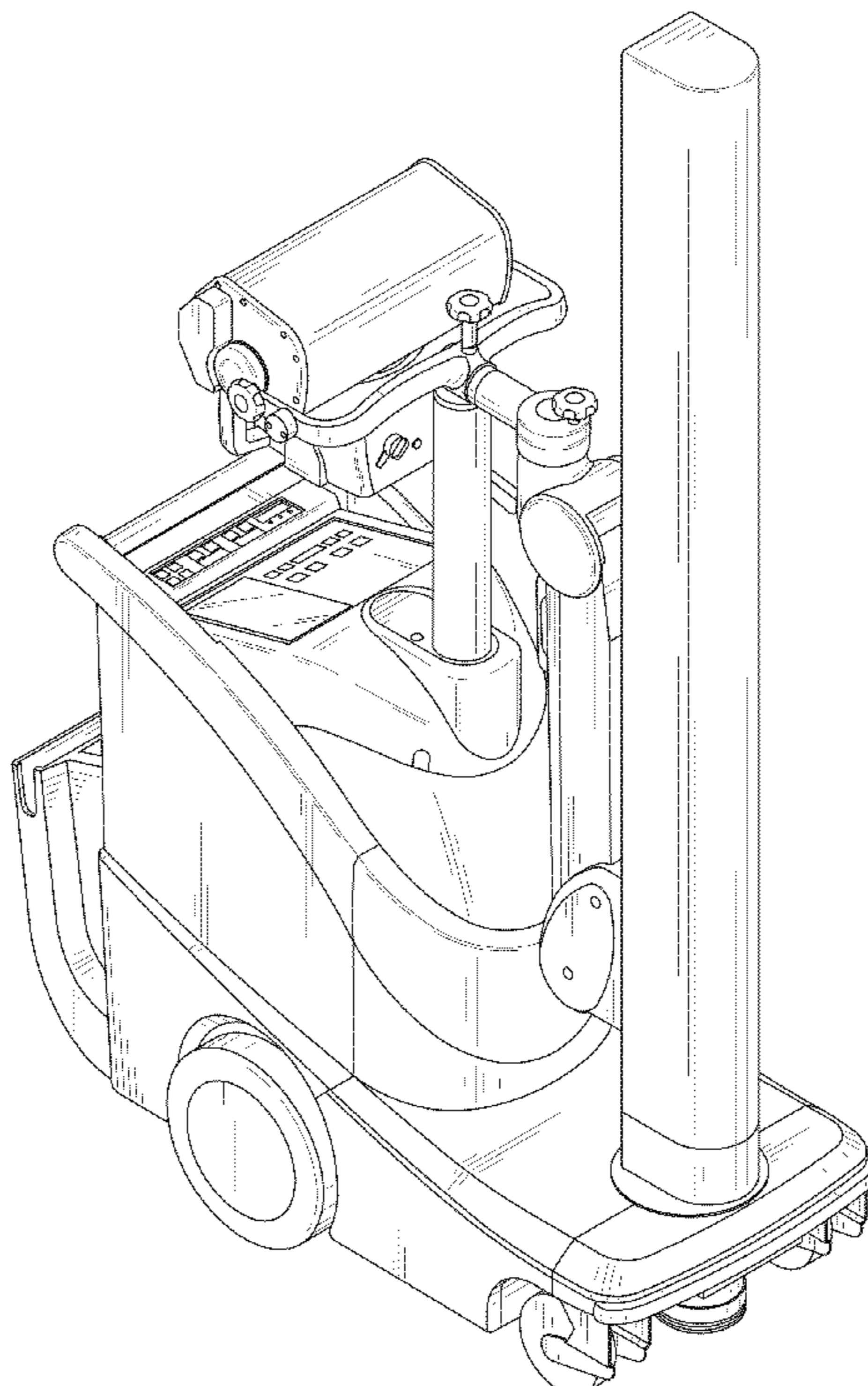
The ornamental design for a mobile x-ray apparatus, as shown and described.

DESCRIPTION

FIG. 1 is a front, top and right side perspective view of a mobile x-ray apparatus showing our new design;
FIG. 2 is a front elevational view thereof;
FIG. 3 is a rear side elevational view thereof;
FIG. 4 is a left side elevational view thereof;
FIG. 5 is a right side elevational view thereof;
FIG. 6 is a top plan view thereof;
FIG. 7 is a bottom plan view thereof;
FIG. 8 is a right side elevational view of one use form thereof;
FIG. 9 is a right side elevational view of another use form thereof; and,
FIG. 10 is a top plan view of the use form thereof shown in FIG. 9.

The broken lines in the drawing views are included for the purpose of illustrating portions of the mobile x-ray apparatus that form no part of the claimed design.

1 Claim, 8 Drawing Sheets



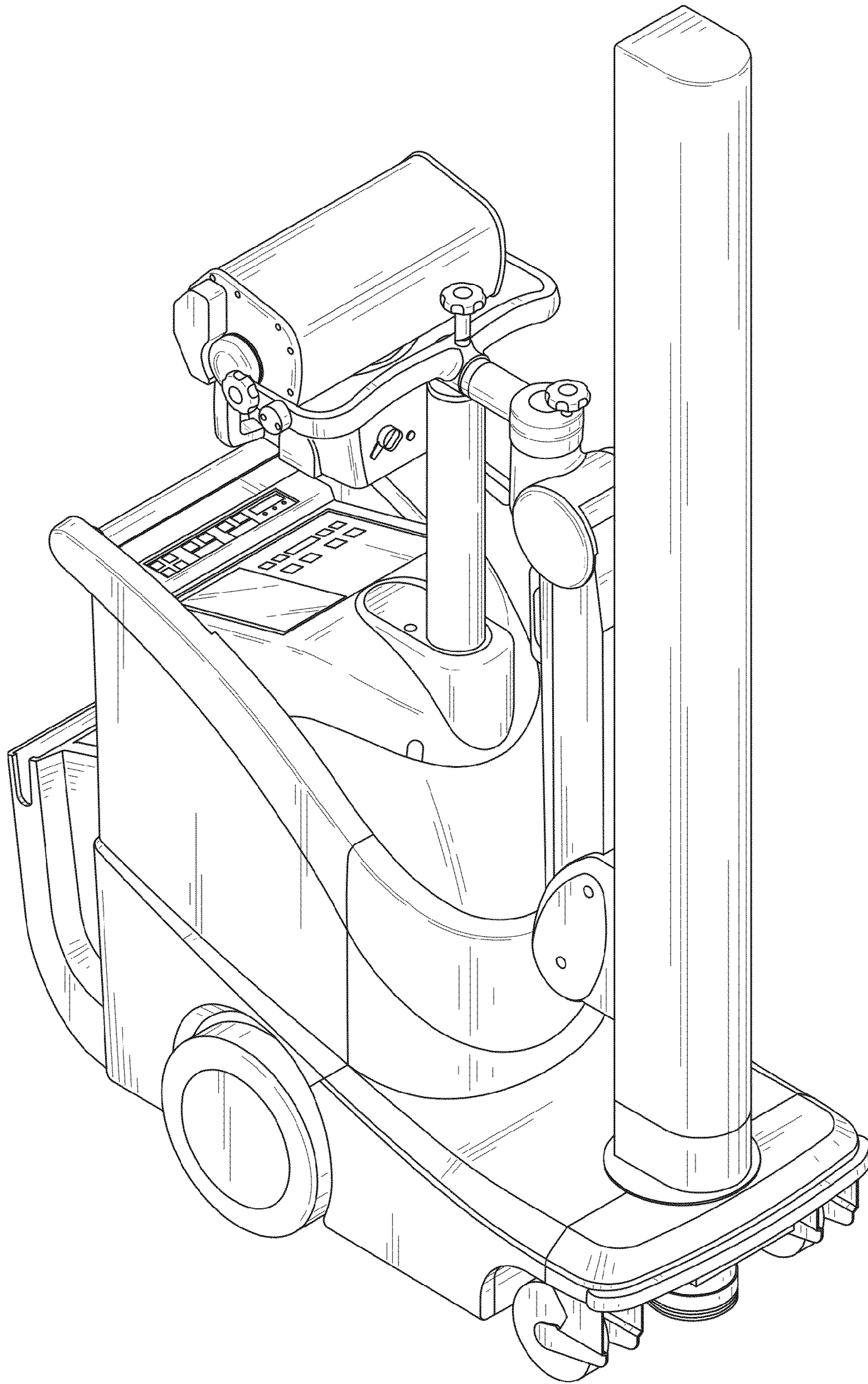


FIG. 1

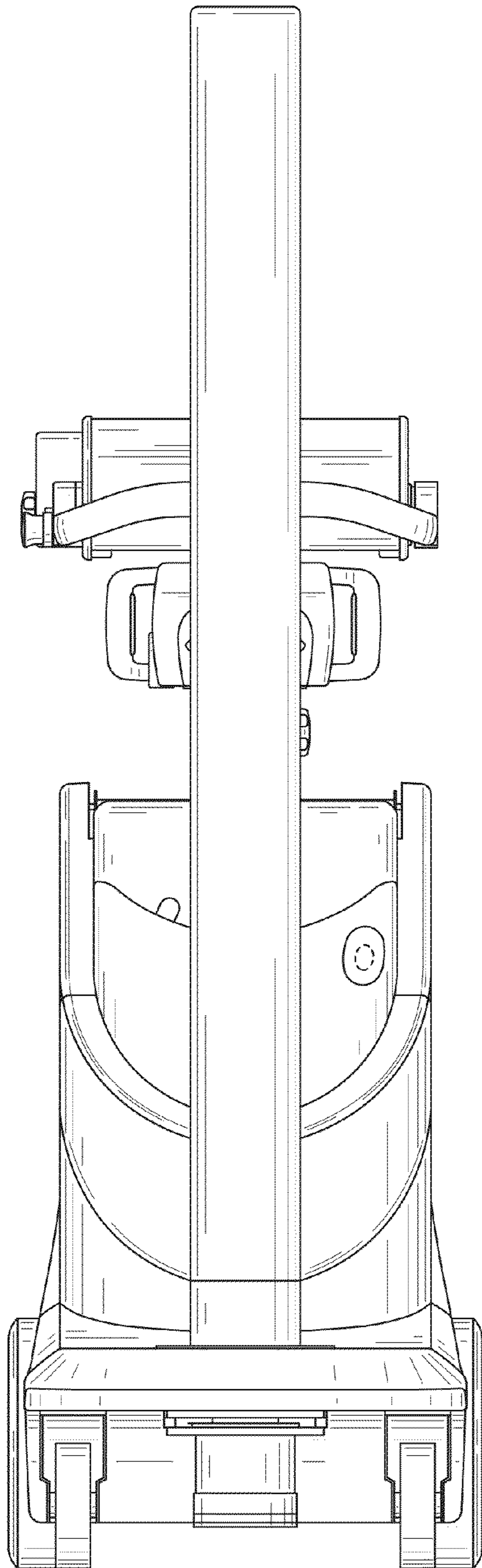


FIG. 2

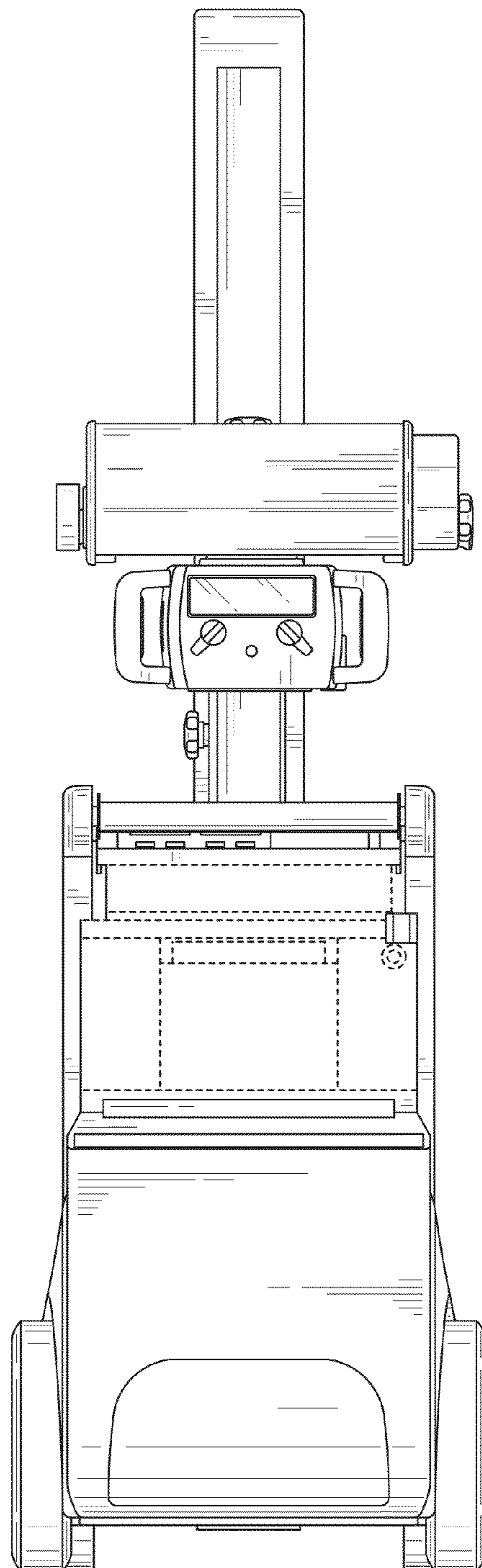


FIG. 3

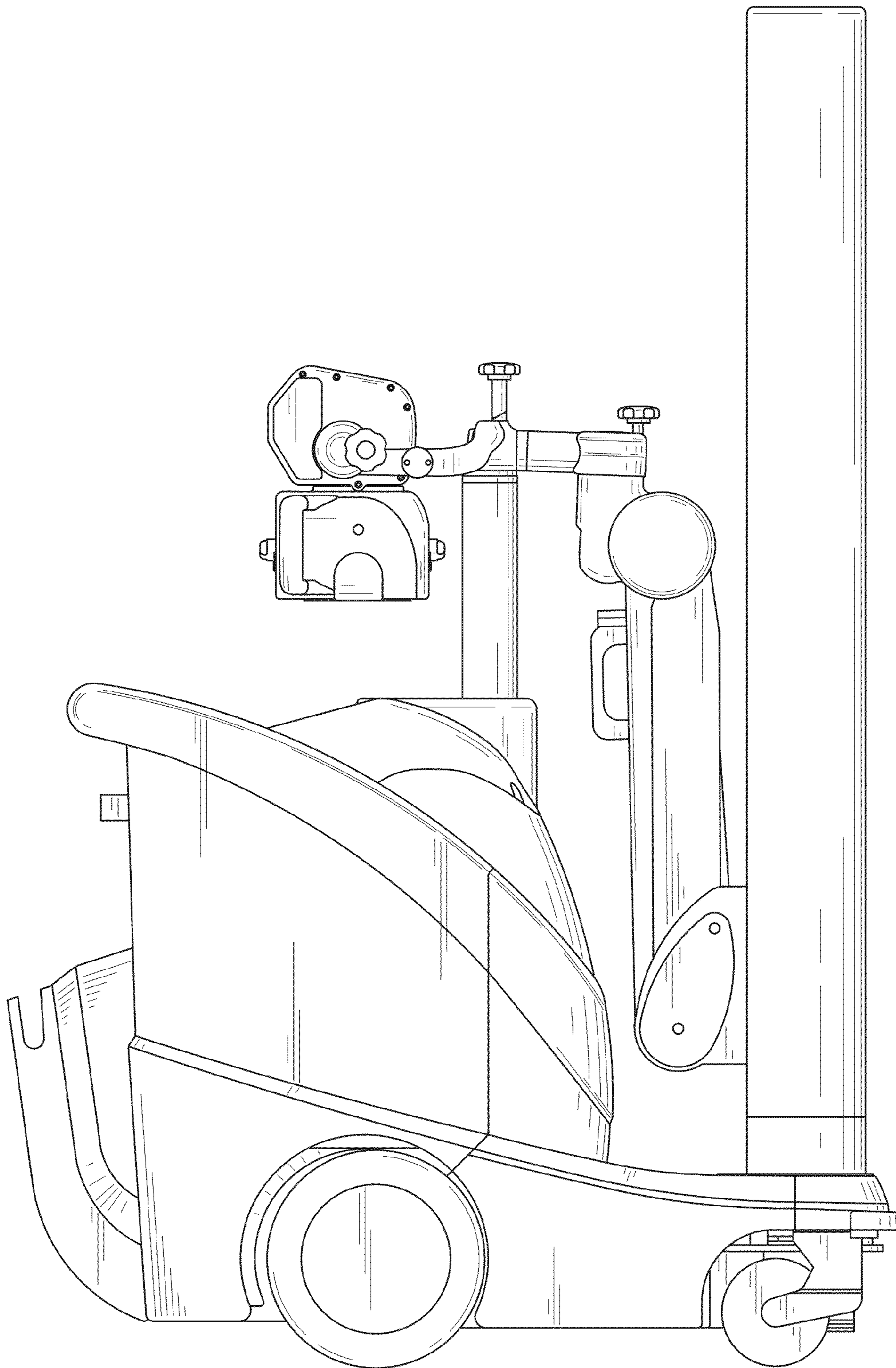


FIG. 4

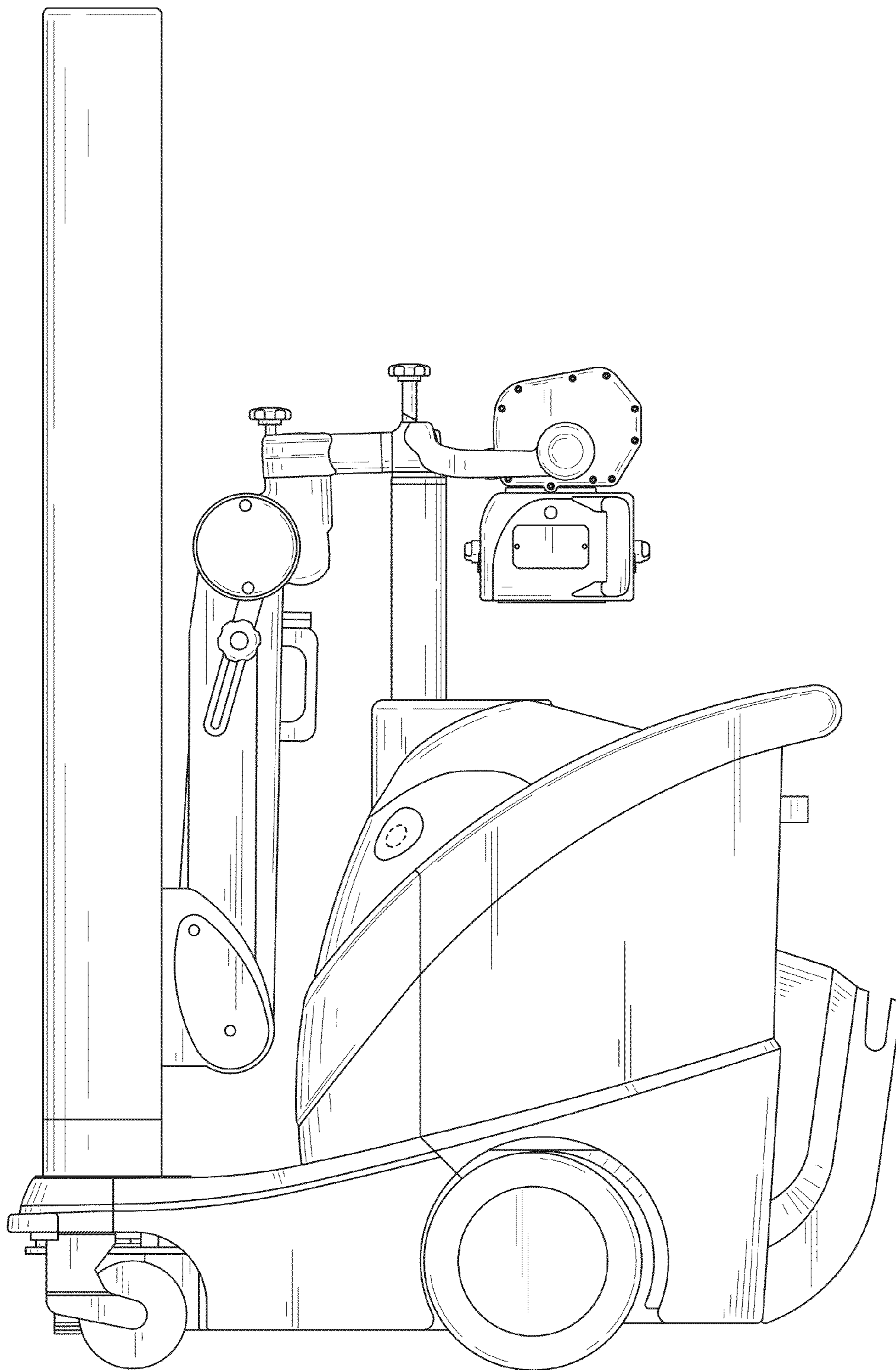


FIG. 5

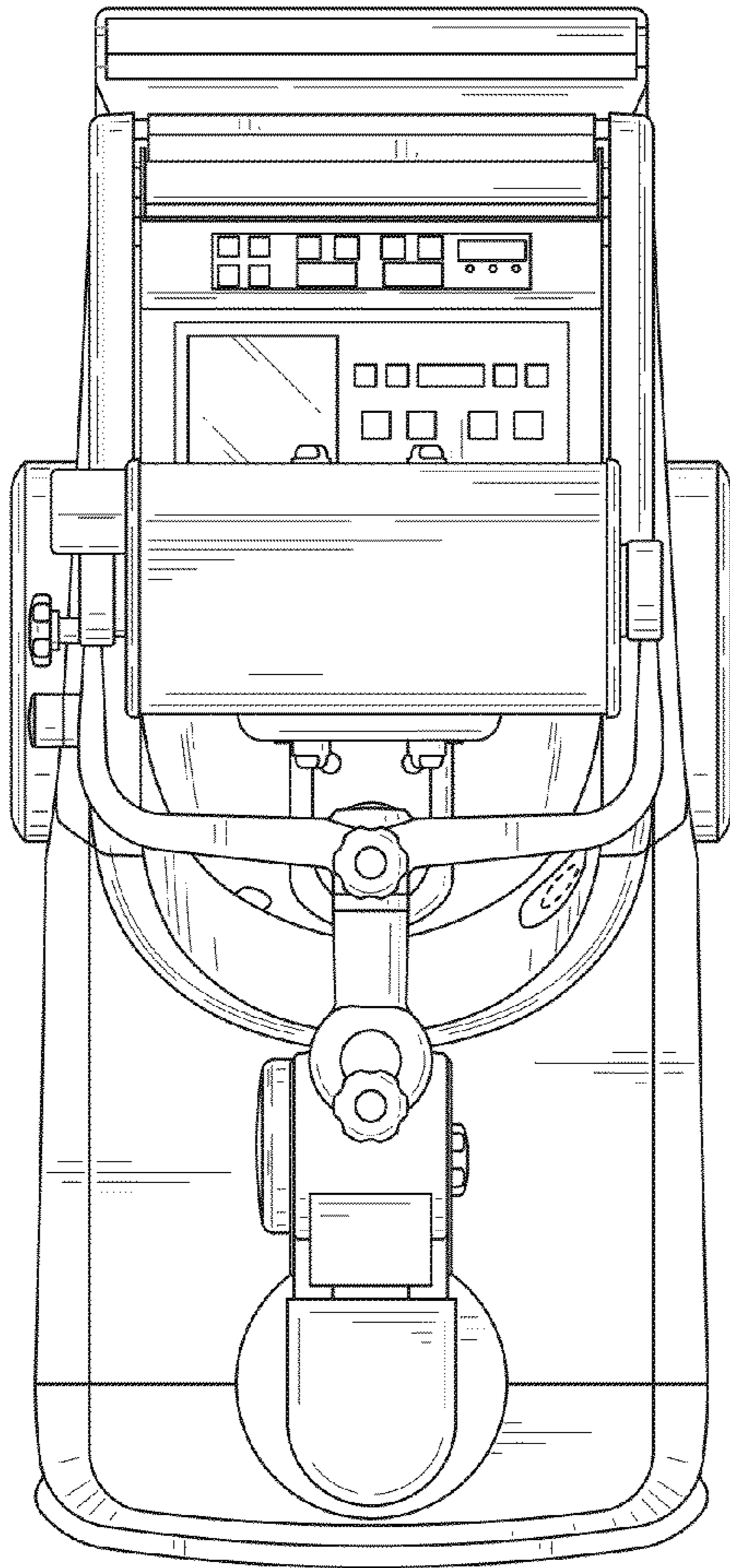


FIG. 6

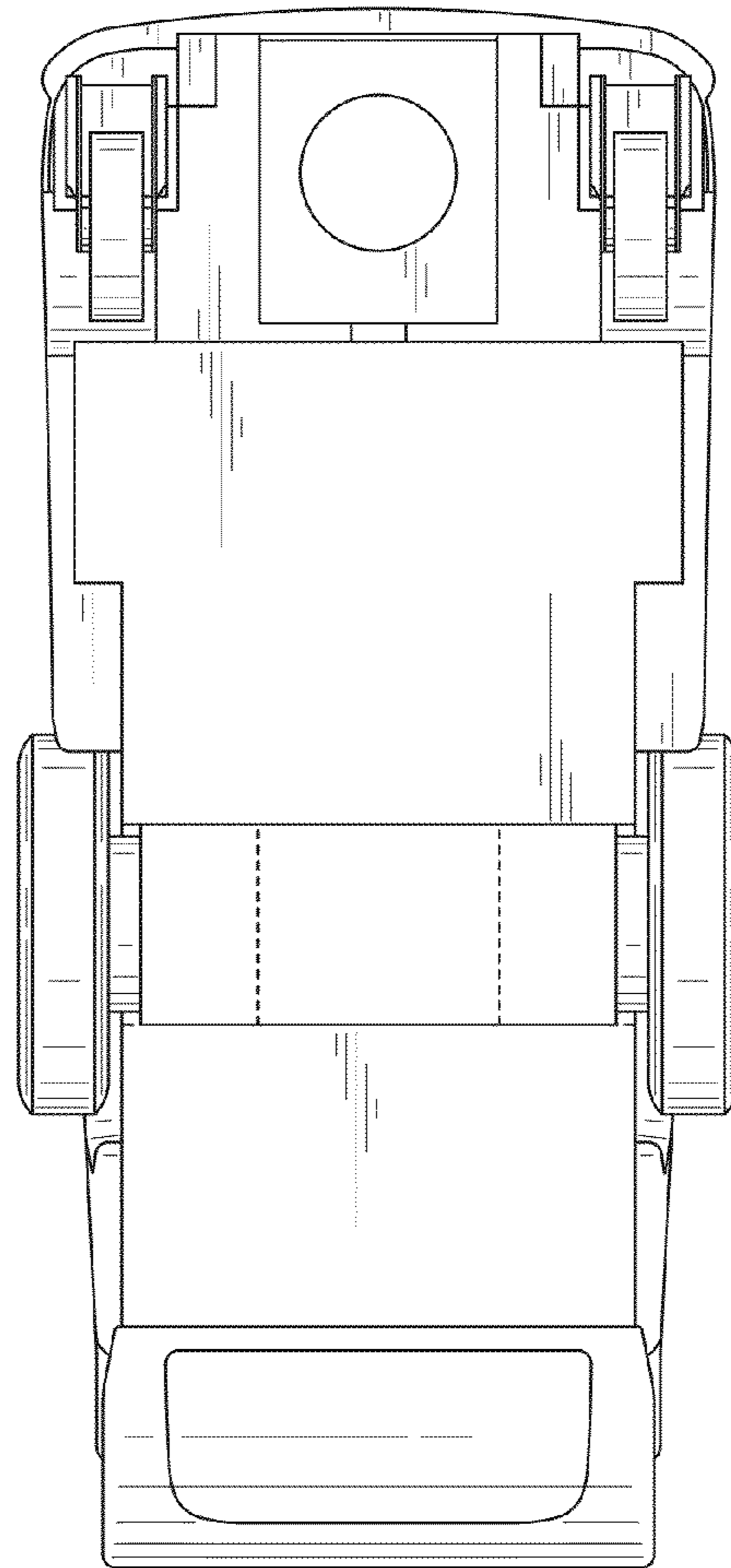


FIG. 7

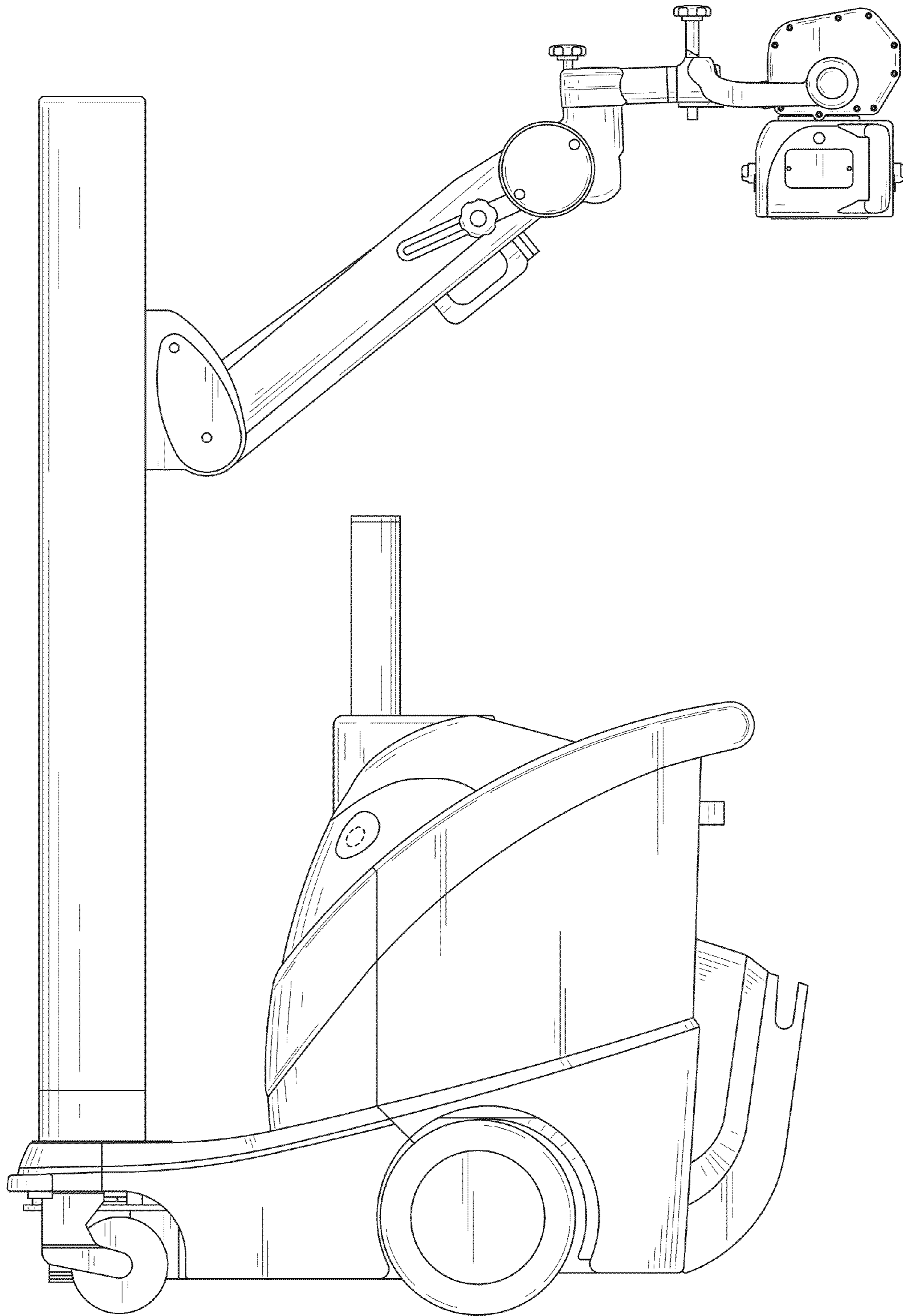


FIG. 8

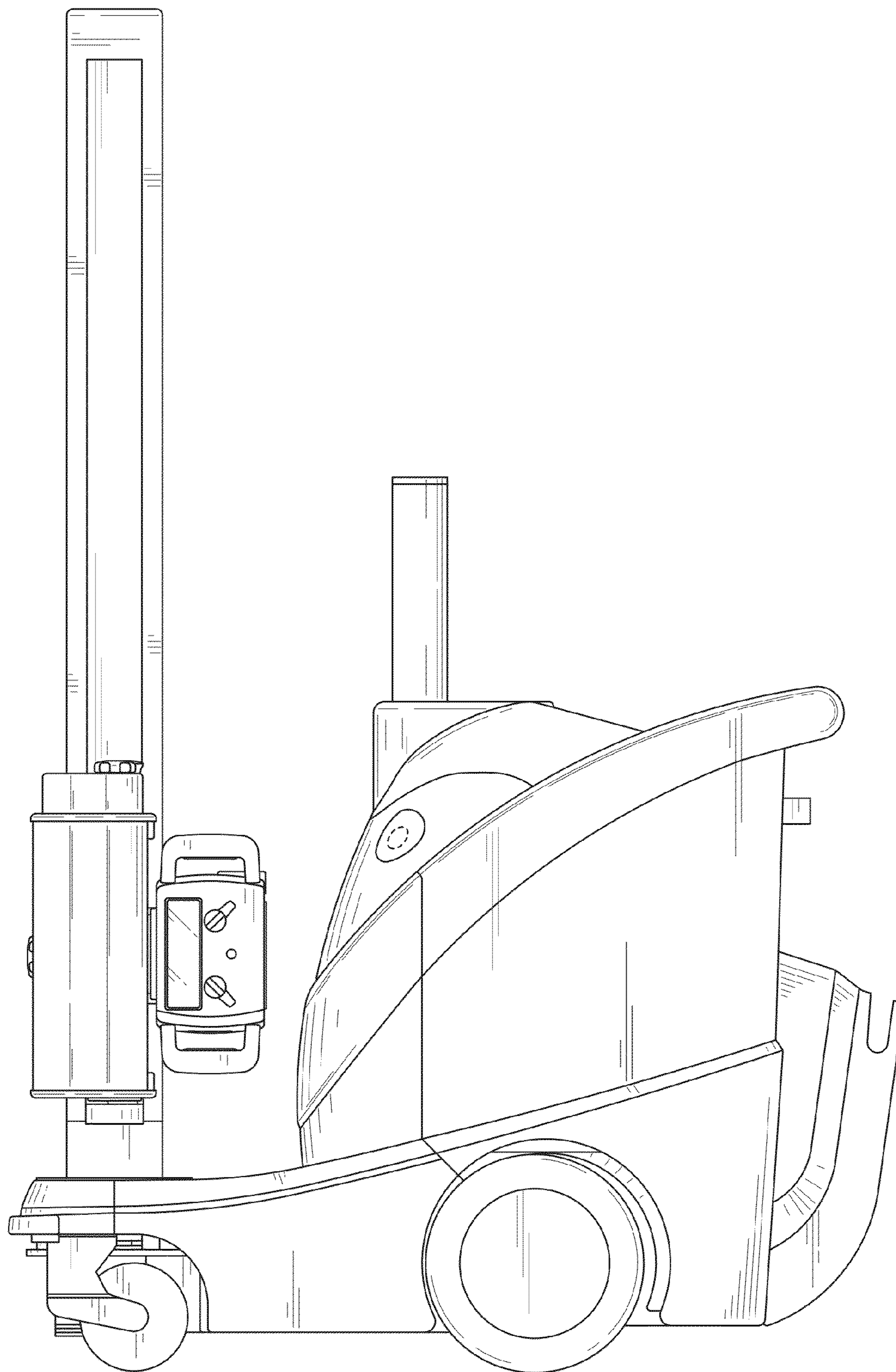


FIG. 9

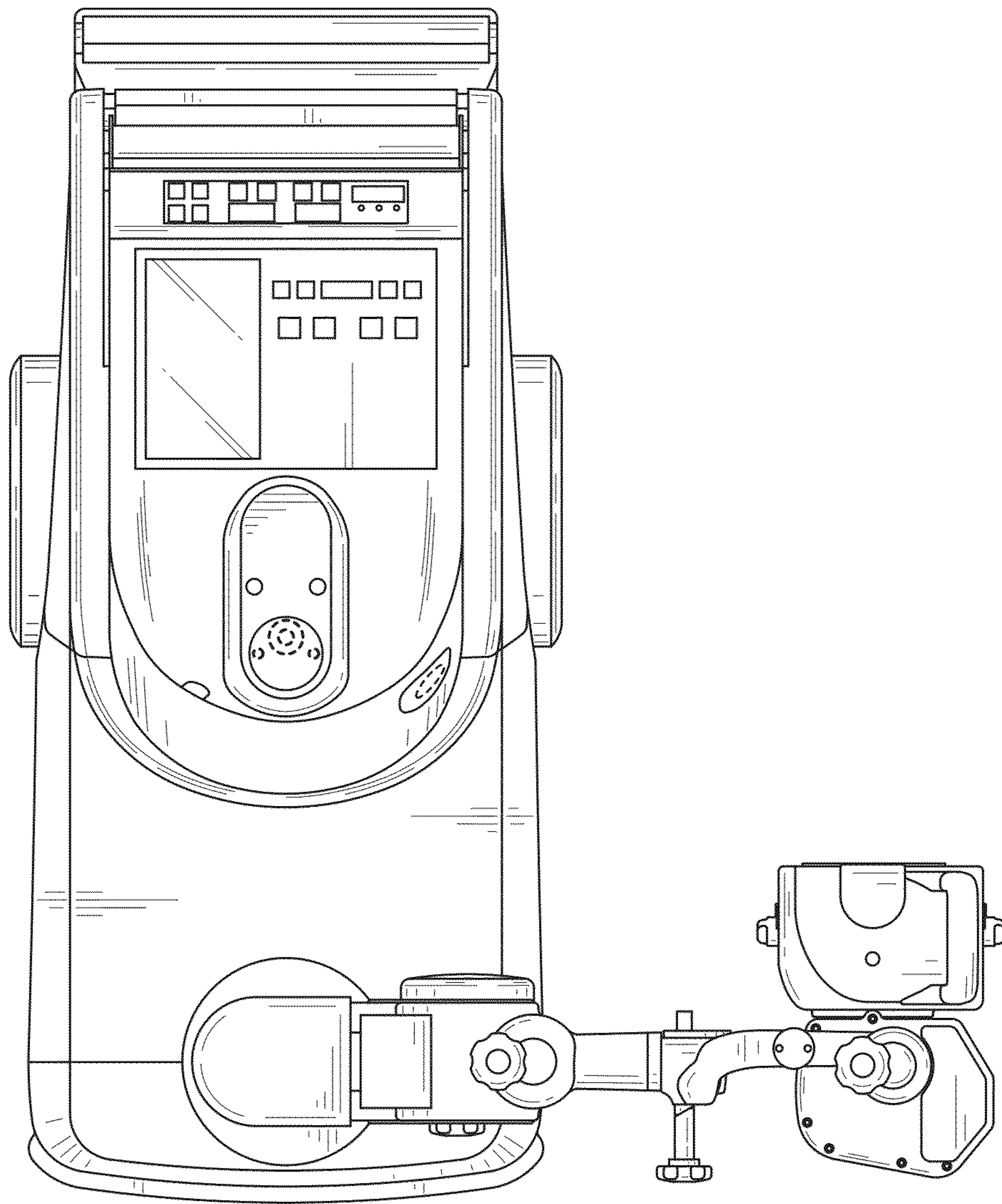


FIG. 10