



US00D690010S

(12) **United States Design Patent**
Lim

(10) **Patent No.:** **US D690,010 S**

(45) **Date of Patent:** **** Sep. 17, 2013**

(54) **DENTAL ELEVATOR**

DESCRIPTION

- (75) Inventor: **Jang H. Lim**, McHenry, IL (US)
- (73) Assignee: **Dental USA, Inc.**, McHenry, IL (US)
- (**) Term: **14 Years**
- (21) Appl. No.: **29/431,804**
- (22) Filed: **Sep. 11, 2012**
- (51) **LOC (9) Cl.** **24-02**
- (52) **U.S. Cl.**
USPC **D24/153**
- (58) **Field of Classification Search**
USPC D24/133, 146-148, 152-154, 176;
D8/52, 54-56; 7/125-128; 81/302, 305-306,
81/300, 342, 356, 382, 385, 427.5, 424; 433/4,
433/141, 152, 159-160
See application file for complete search history.

(56) **References Cited**

U.S. PATENT DOCUMENTS

491,932	A *	2/1893	Whitlock	433/159
991,313	A *	5/1911	Hull	433/159
1,034,591	A *	8/1912	Douds	433/4
1,487,776	A *	3/1924	Goldberg	433/159
D208,009	S *	6/1967	Hearrel	D8/58
4,081,909	A *	4/1978	Garcia	433/4
D281,452	S *	11/1985	Kurz	D24/153
6,984,126	B1 *	1/2006	Graham	433/4
7,128,575	B1 *	10/2006	Sohn	433/159
7,556,499	B2 *	7/2009	Zepf	433/159
2010/0240008	A1 *	9/2010	Golden	433/159

* cited by examiner

Primary Examiner — Wan Laymon

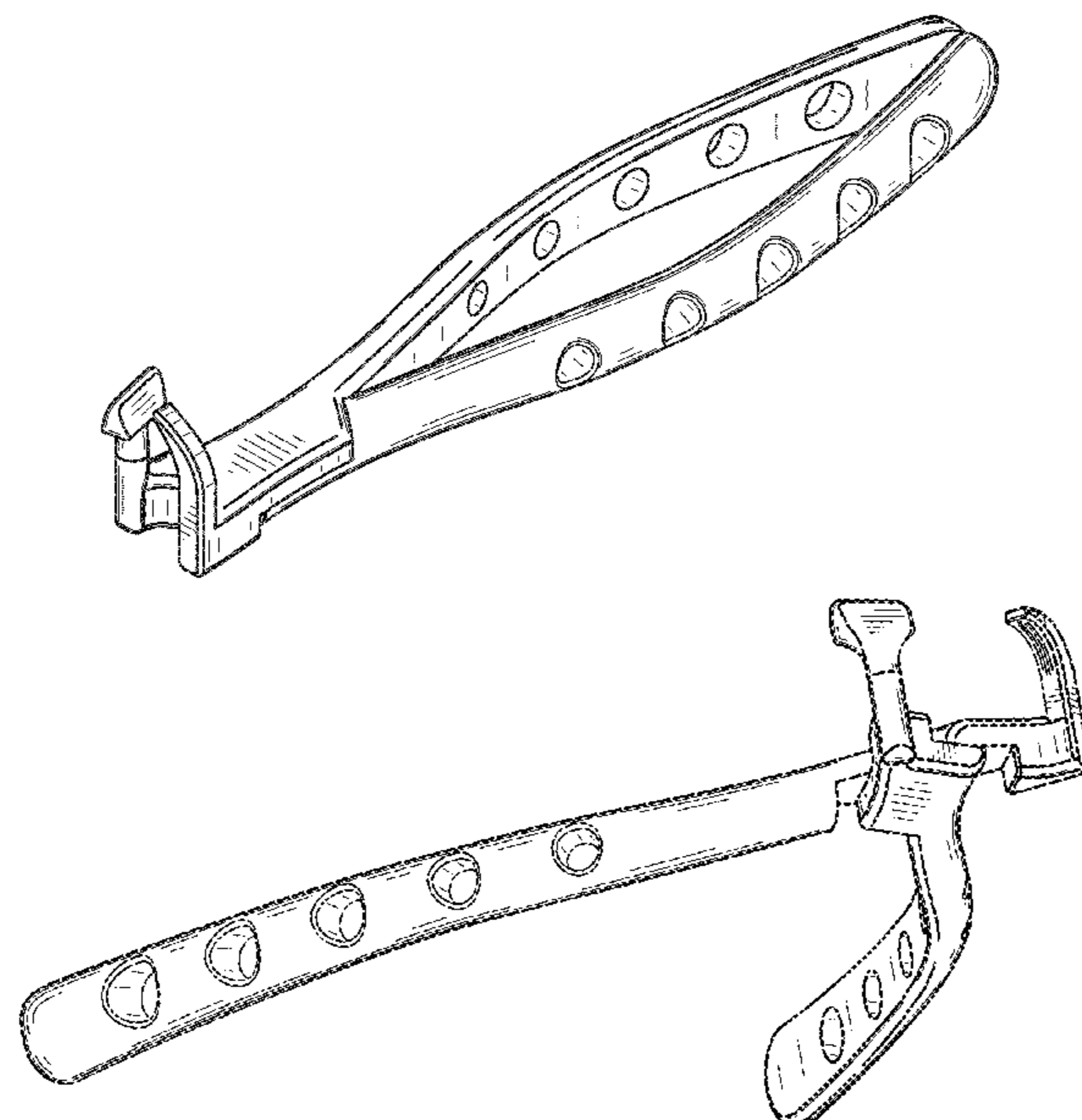
(74) *Attorney, Agent, or Firm* — Bishop & Diehl, Ltd.

(57) **CLAIM**

The ornamental design for a dental elevator, as shown and described.

FIG. 1 is an elevated isometric view of a dental elevator;
 FIG. 2 is a bottom isometric view thereof;
 FIG. 3 is a top isometric view thereof in an open configuration;
 FIG. 4 is a bottom isometric view thereof in an open configuration;
 FIG. 5 is a top view thereof in a closed configuration;
 FIG. 6 is a bottom view thereof in a closed configuration;
 FIG. 7 is a right side view thereof in a closed configuration;
 FIG. 8 is a left side view thereof in a closed configuration;
 FIG. 9 is a front side view thereof in a closed configuration;
 FIG. 10 is a rear side view thereof in a closed configuration;
 FIG. 11 is an elevated isometric view of an alternate embodiment of a dental elevator;
 FIG. 12 is a bottom isometric view of the dental elevator illustrated in FIG. 11;
 FIG. 13 is a top isometric view of the dental elevator illustrated in FIG. 11 in an open configuration;
 FIG. 14 is a bottom isometric view of the dental elevator illustrated in FIG. 11 in an open configuration;
 FIG. 15 is a top view of the dental elevator illustrated in FIG. 11 in a closed configuration;
 FIG. 16 is a bottom view of the dental elevator illustrated in FIG. 11 in a closed configuration;
 FIG. 17 is a right side view of the dental elevator illustrated in FIG. 11 in a closed configuration;
 FIG. 18 is a left side view of the dental elevator illustrated in FIG. 11 in a closed configuration;
 FIG. 19 is a front side view of the dental elevator illustrated in FIG. 11 in a closed configuration; and,
 FIG. 20 is a rear side view of the dental elevator illustrated in FIG. 11 in a closed configuration.

1 Claim, 8 Drawing Sheets



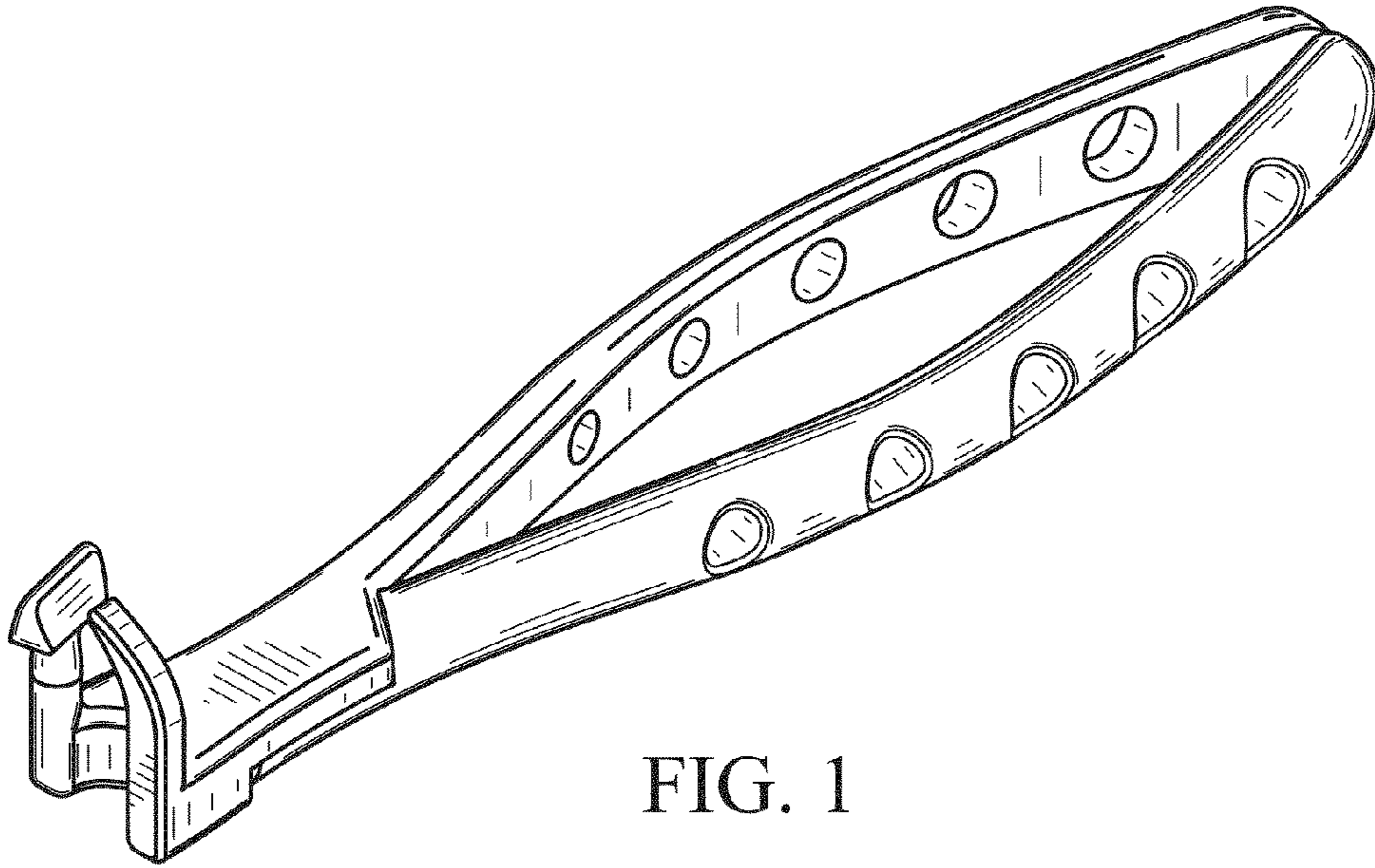


FIG. 1

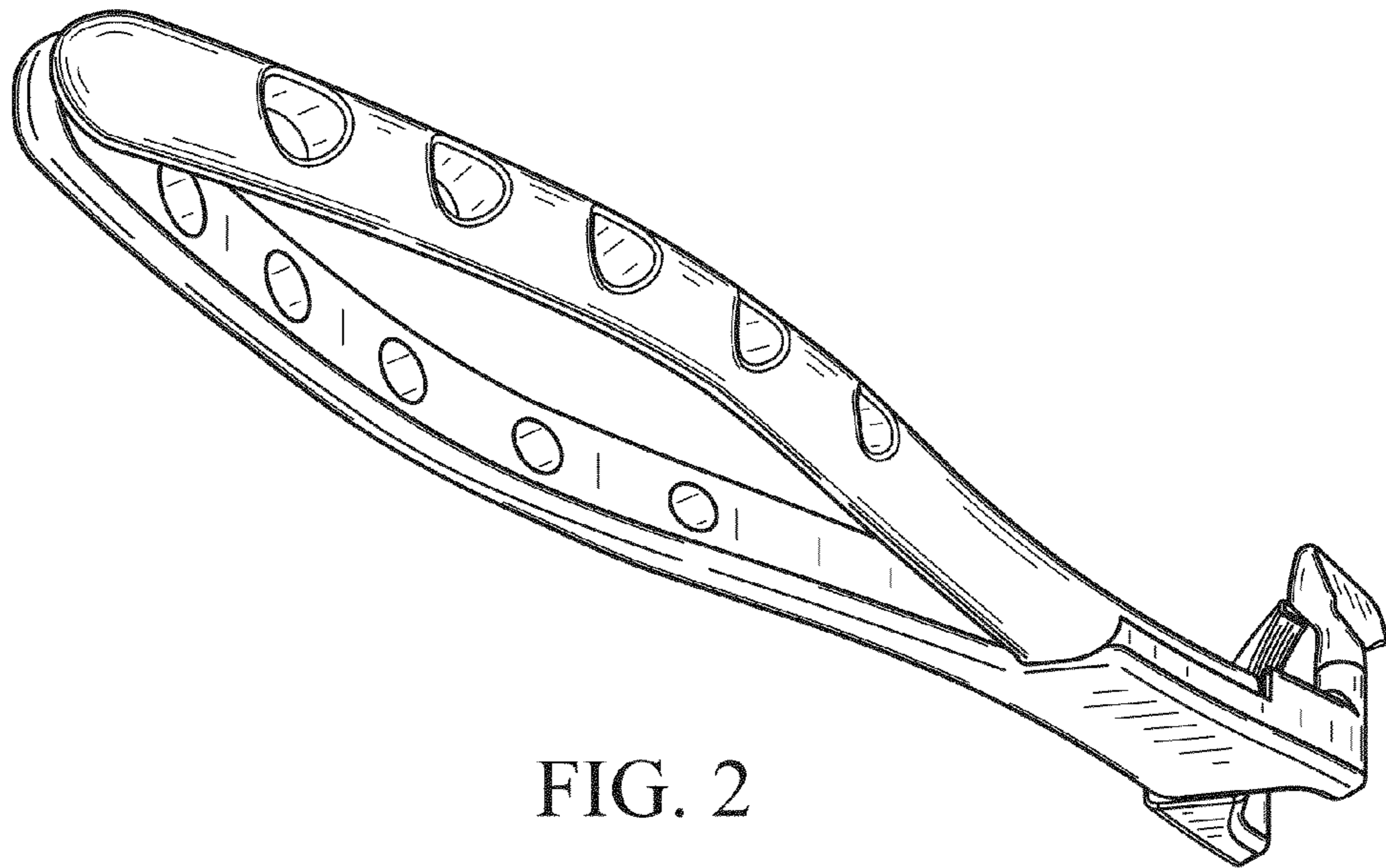


FIG. 2

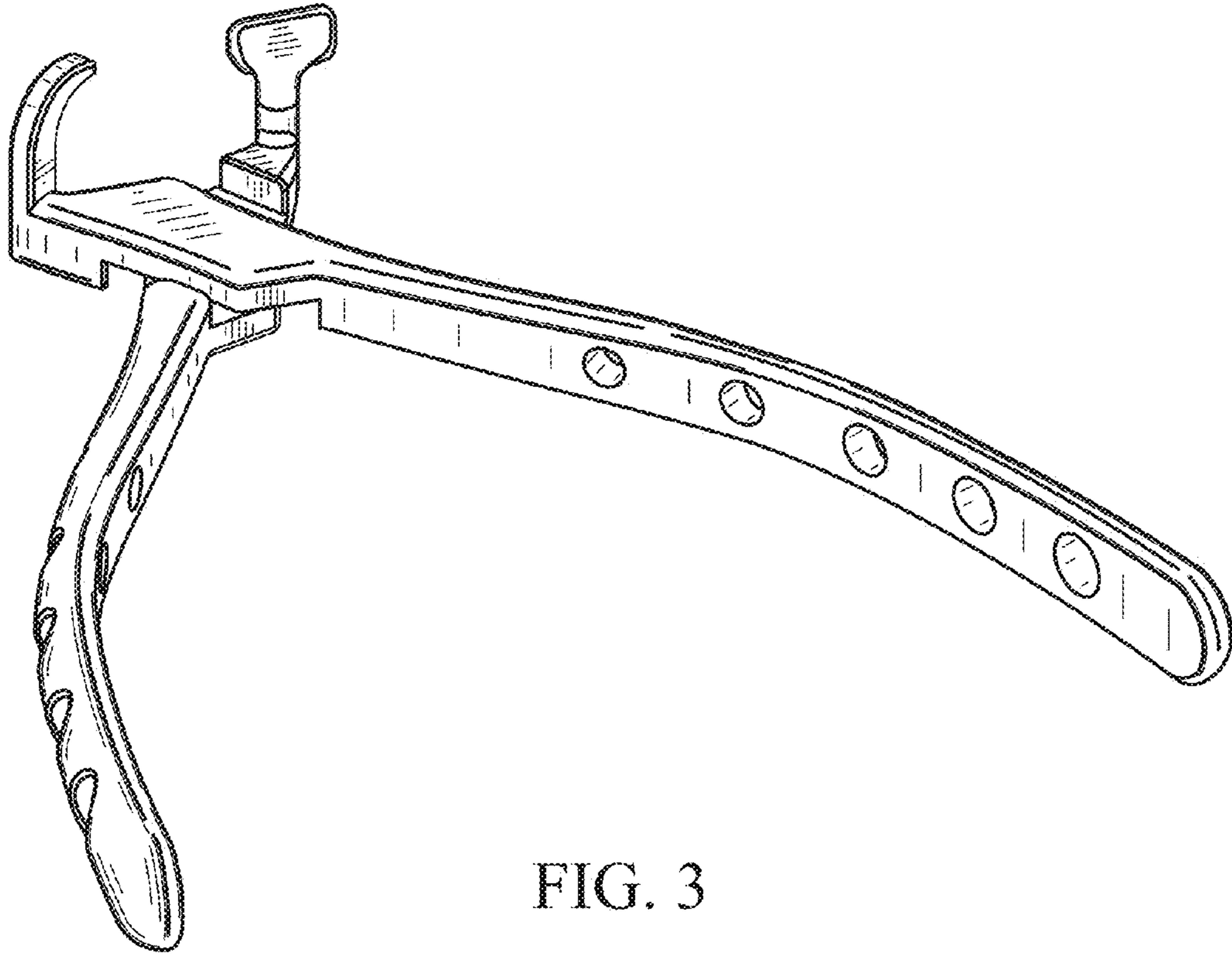


FIG. 3

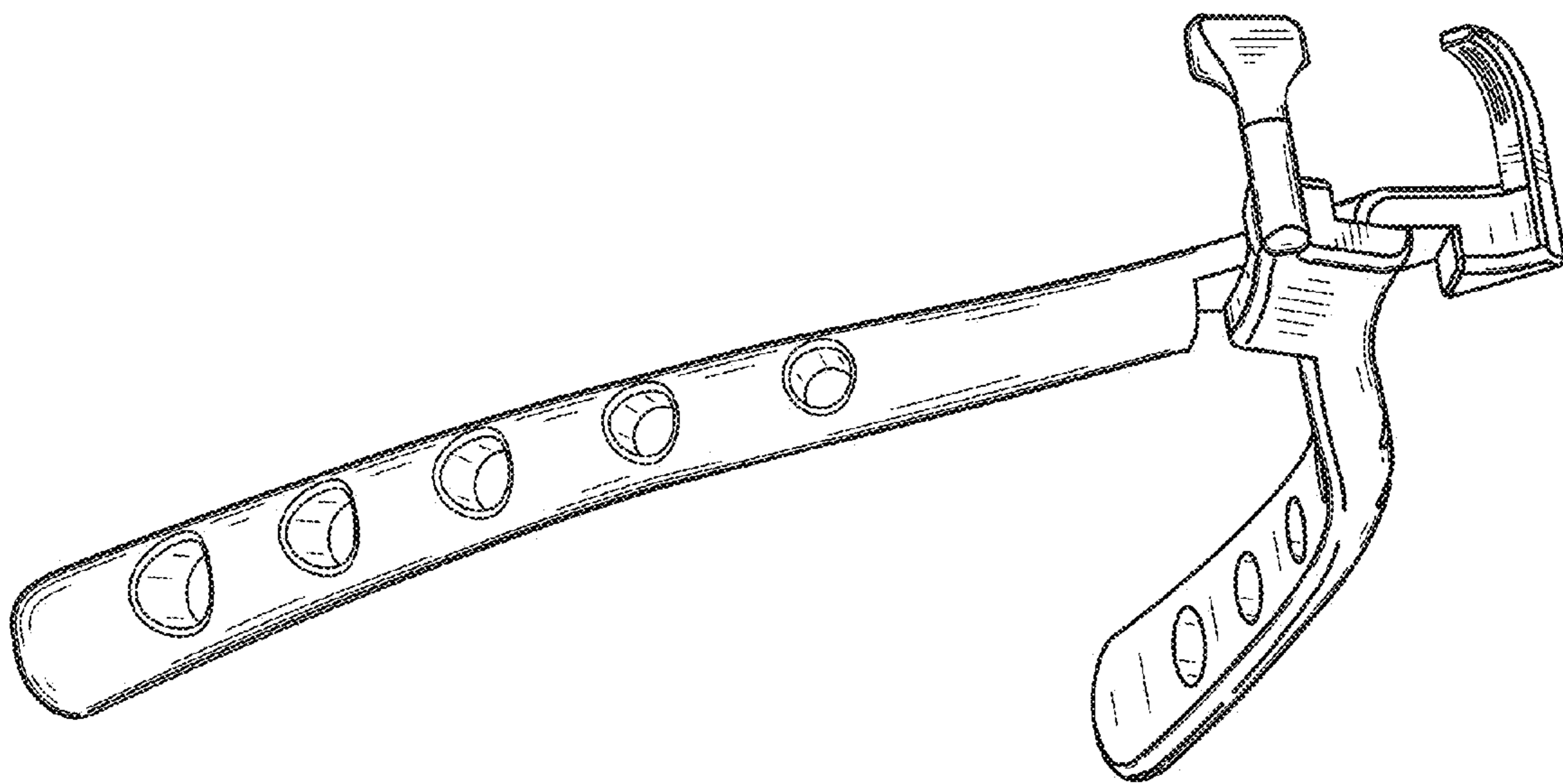


FIG. 4

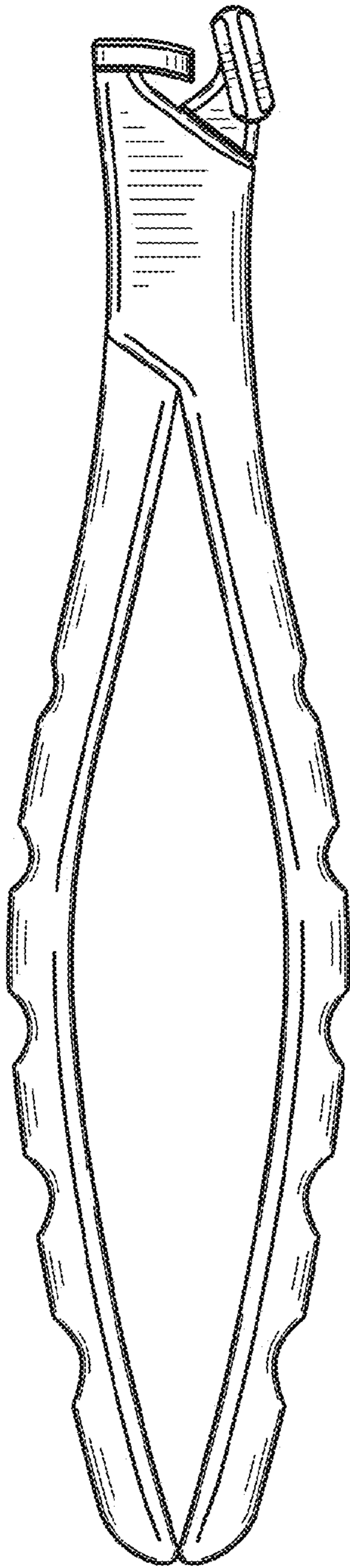


FIG. 5

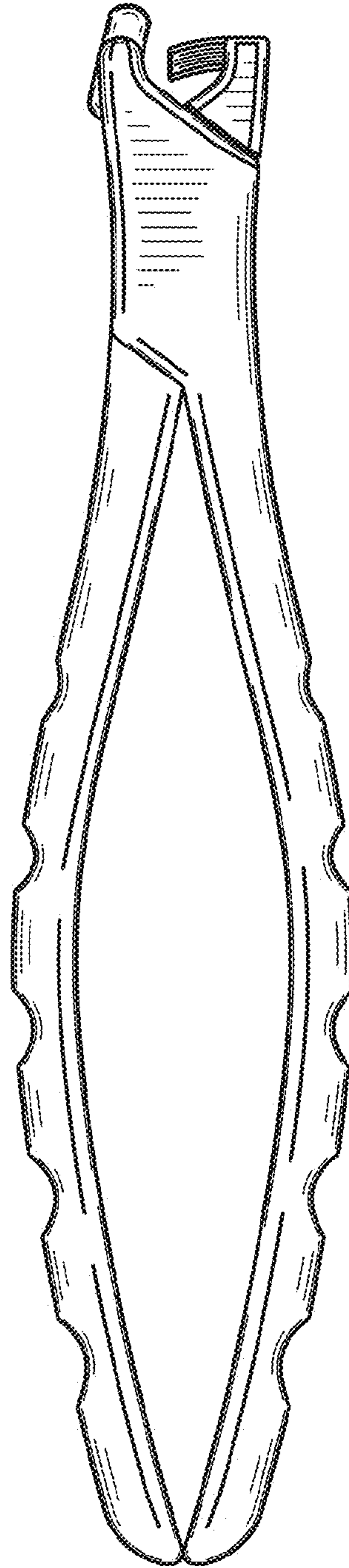


FIG. 6

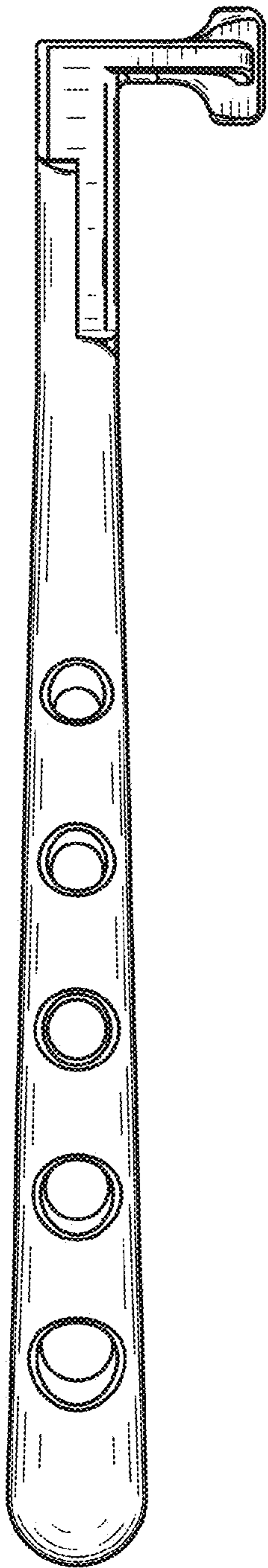


FIG. 7

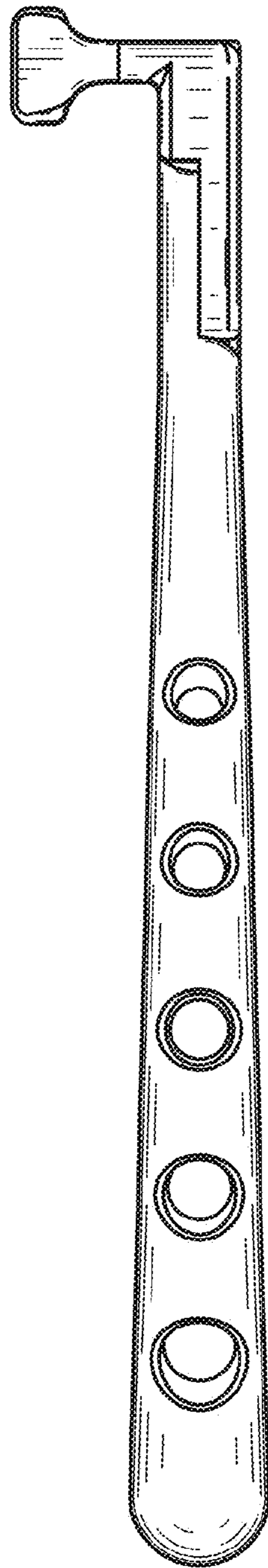


FIG. 8

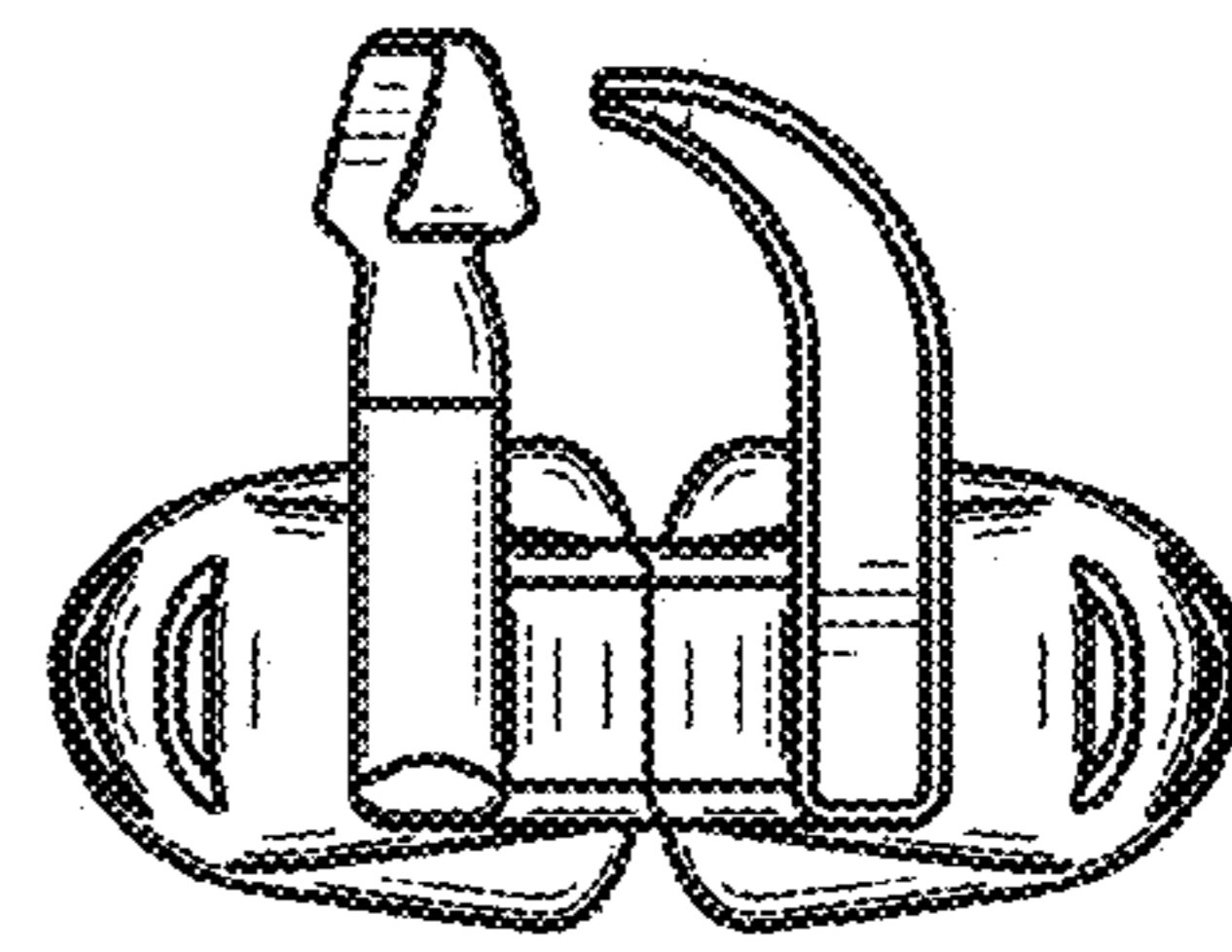


FIG. 9

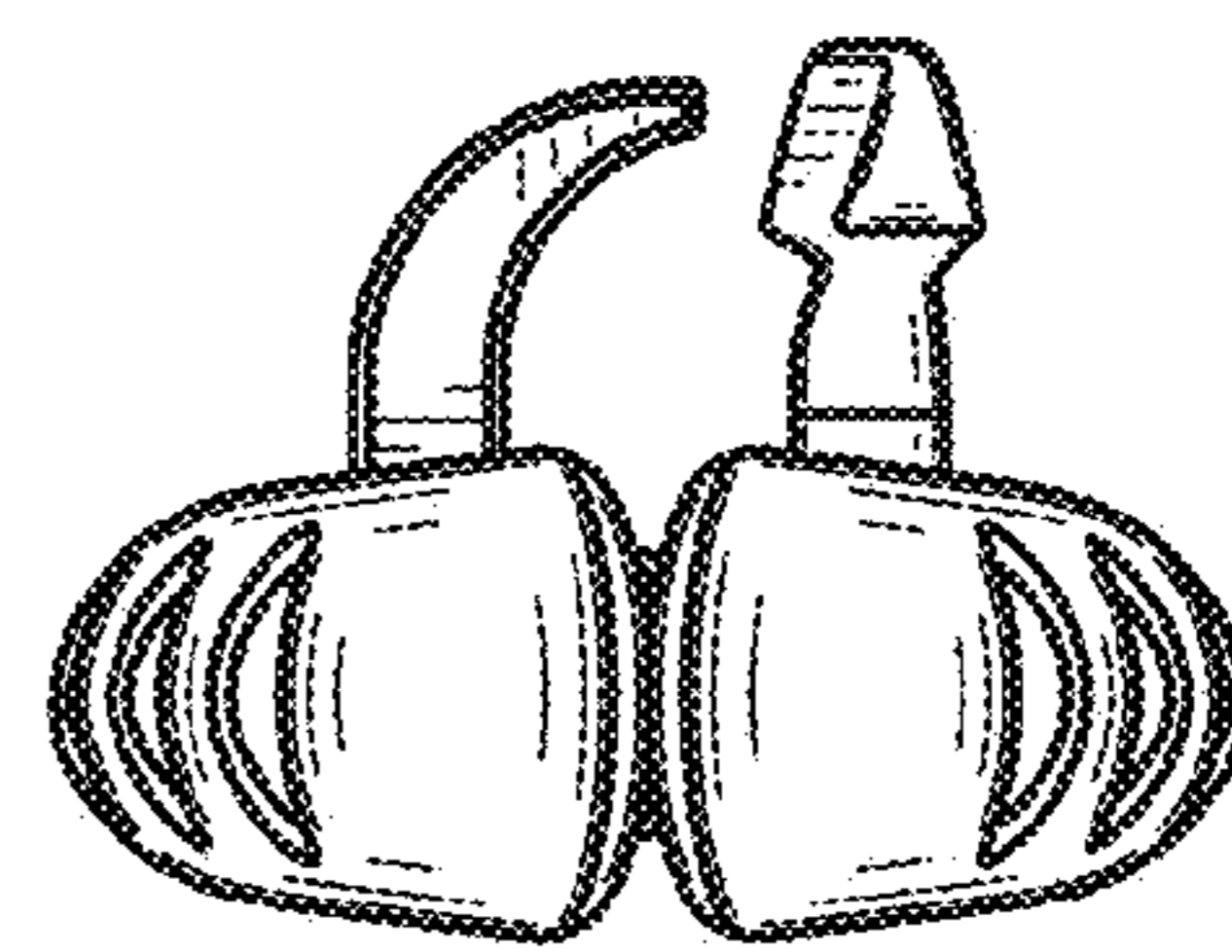


FIG. 10

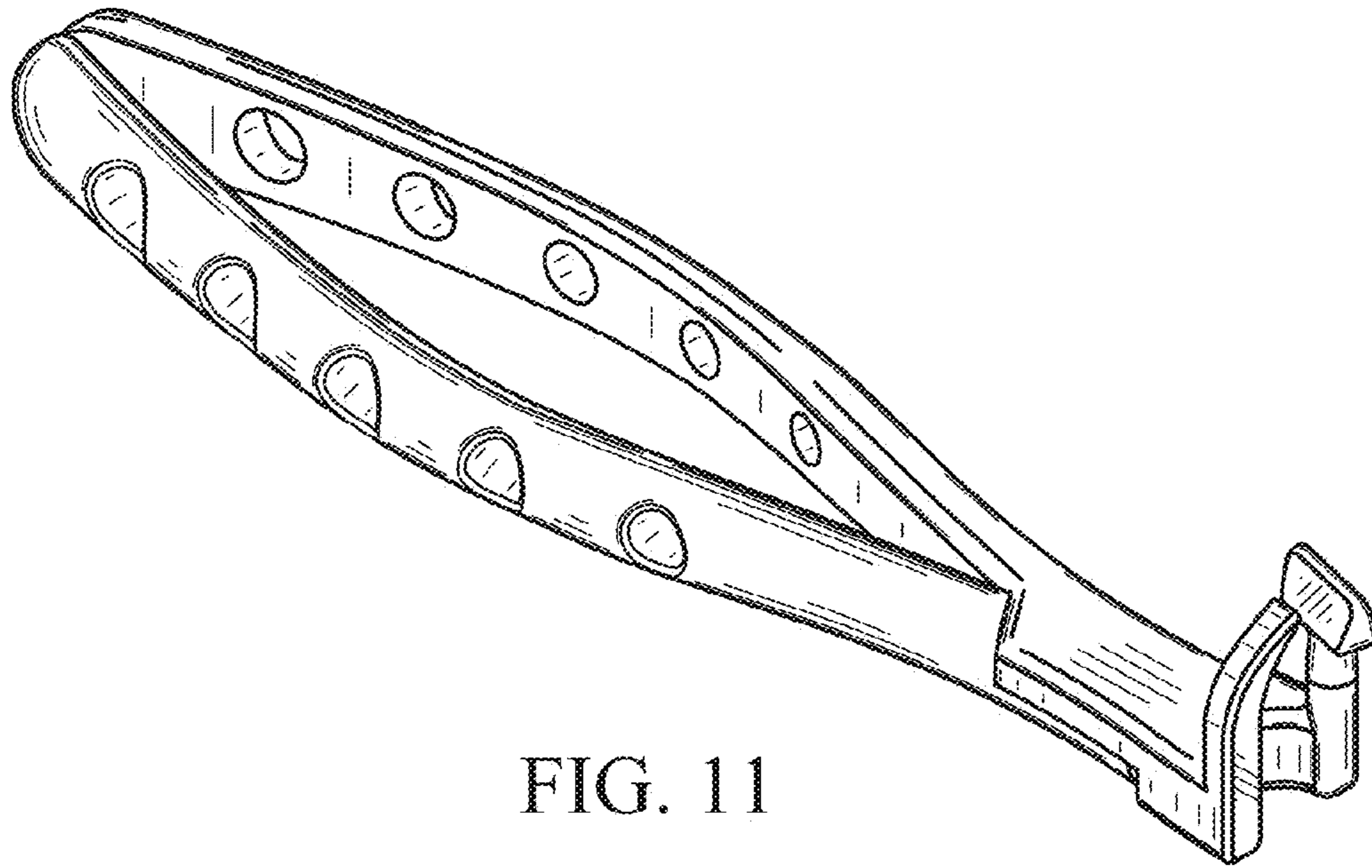


FIG. 11

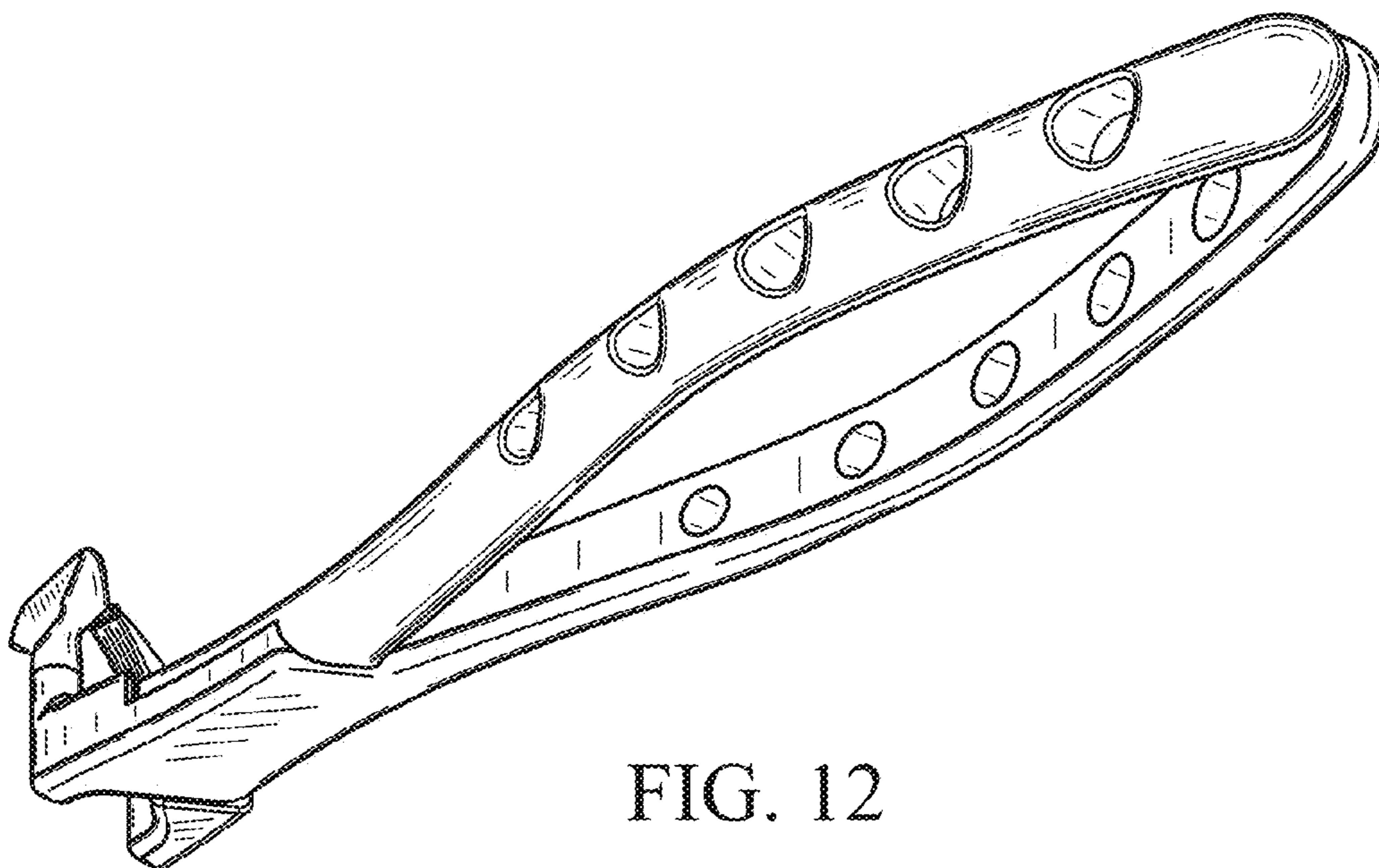


FIG. 12

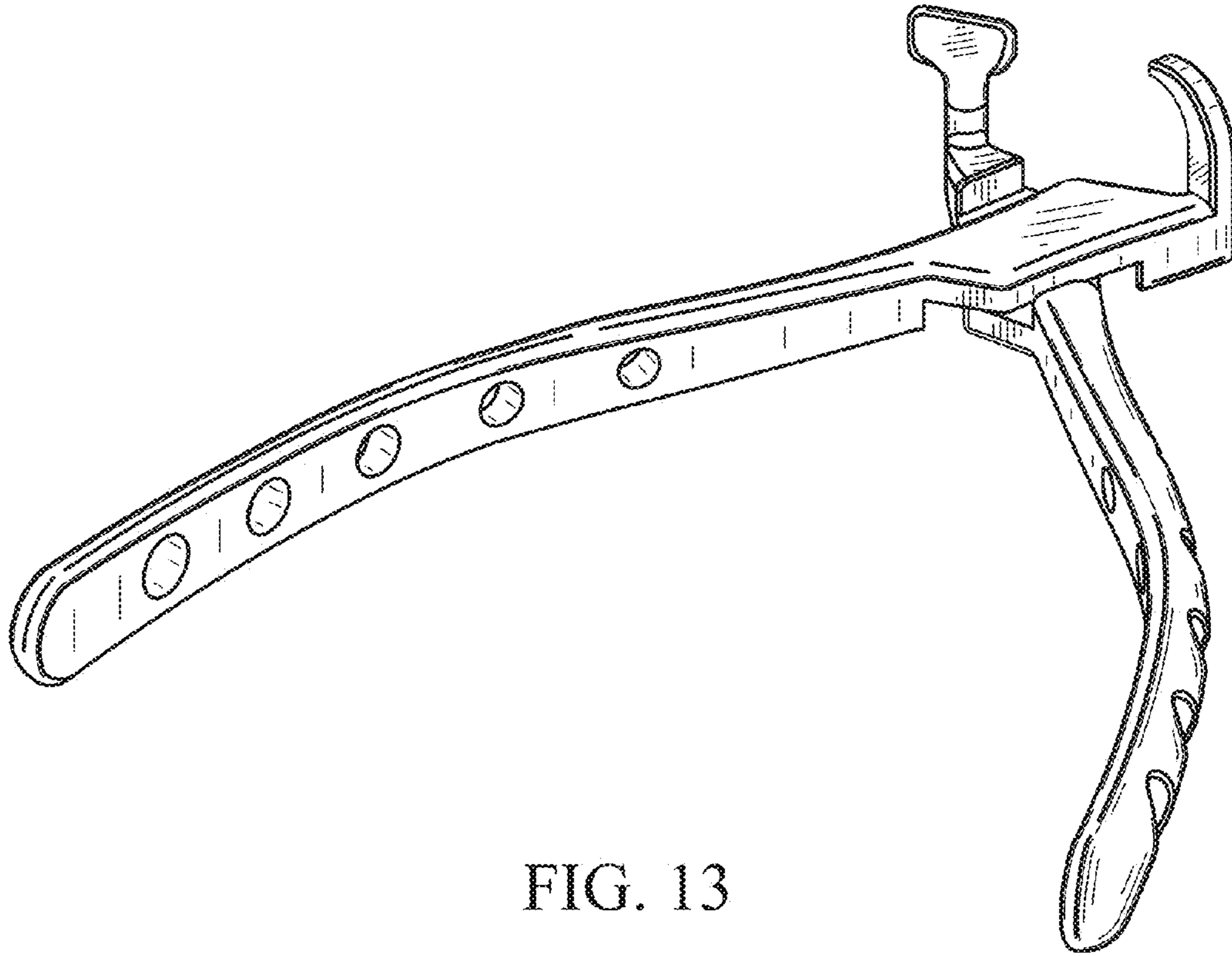


FIG. 13

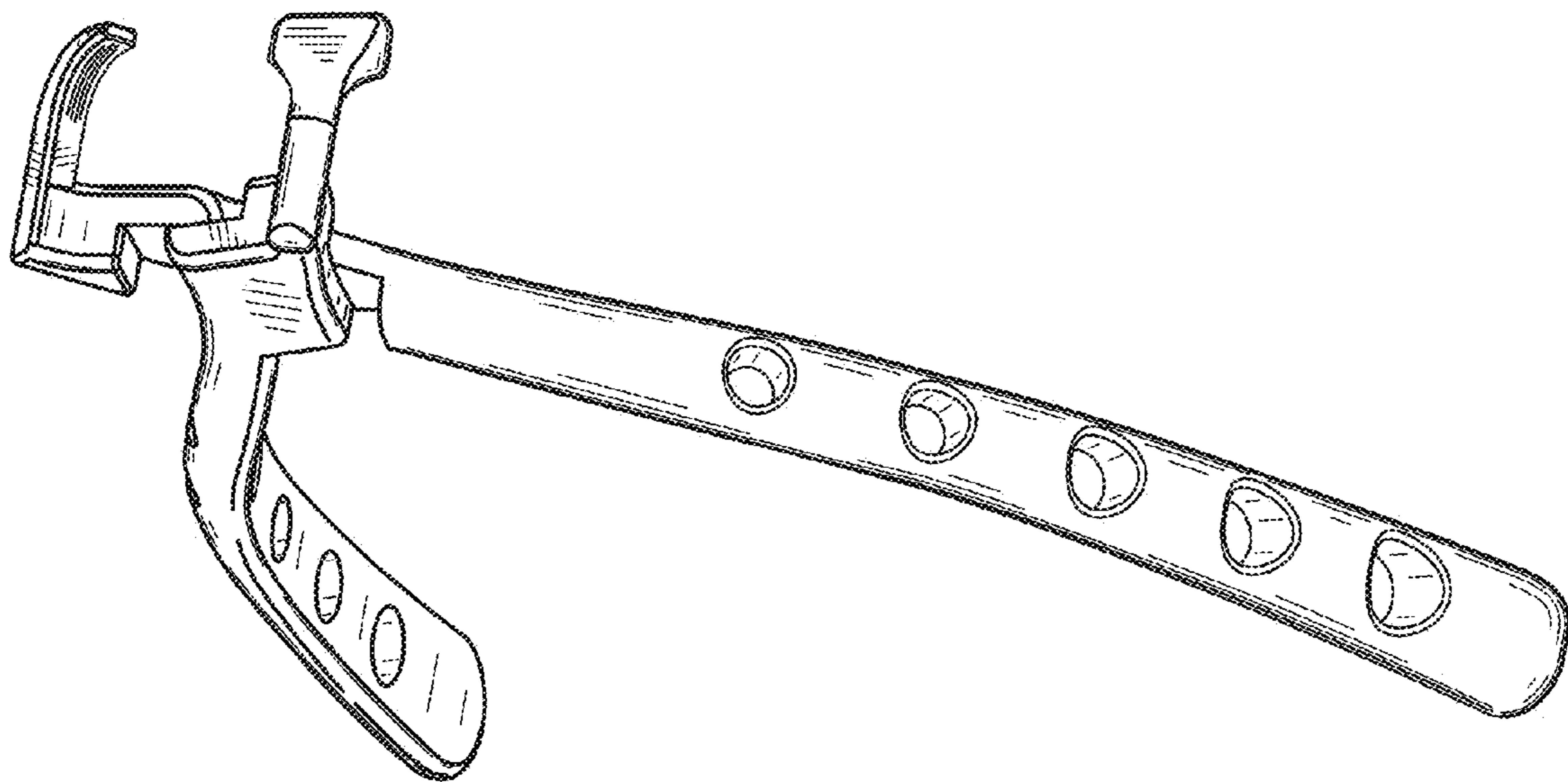


FIG. 14

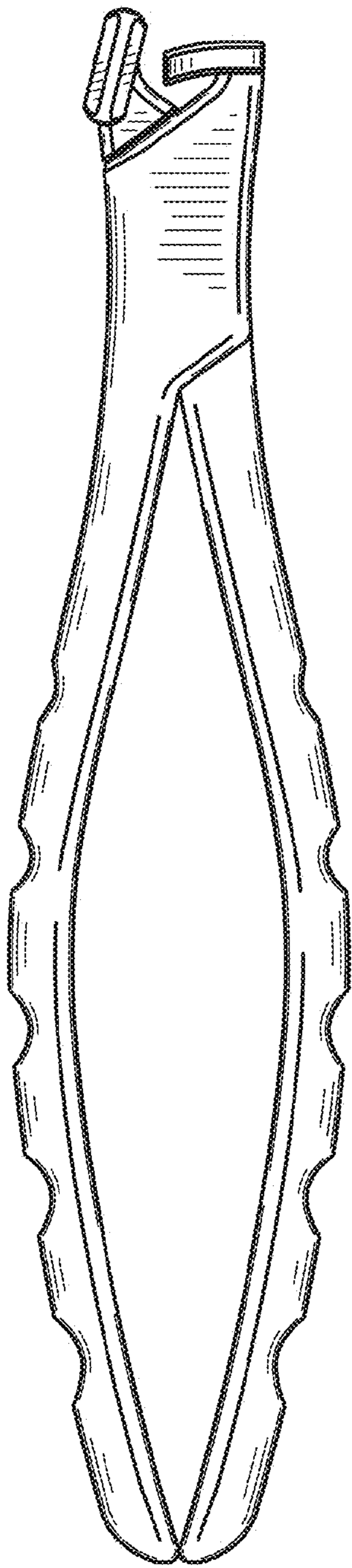


FIG. 15

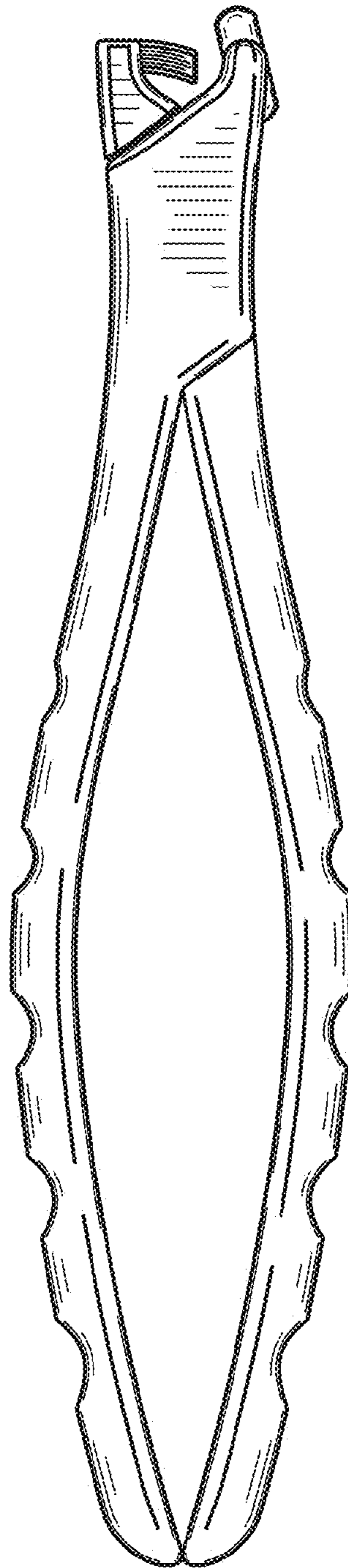


FIG. 16

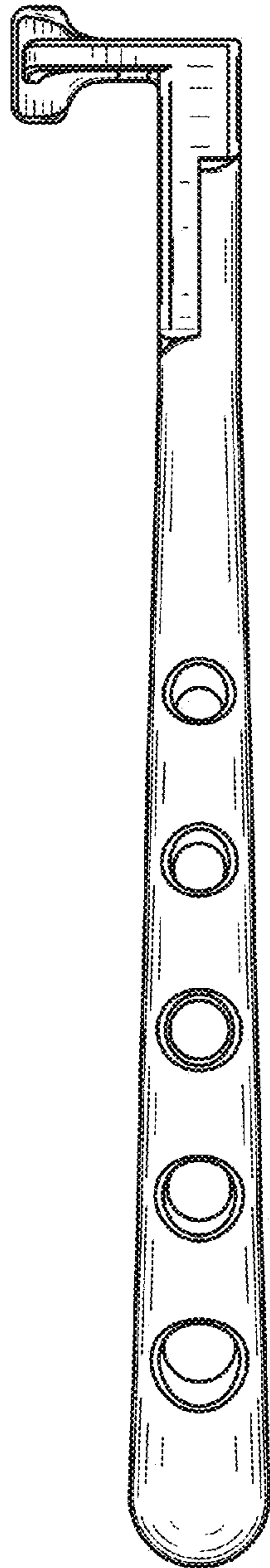


FIG. 17

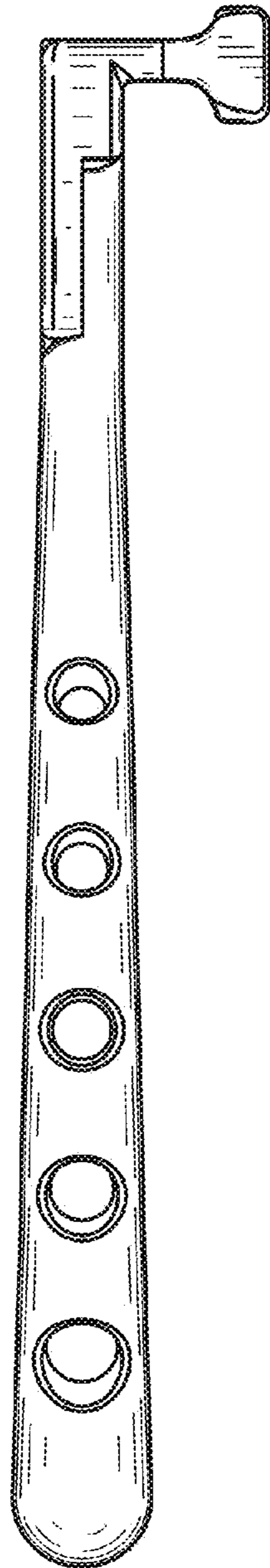


FIG. 18

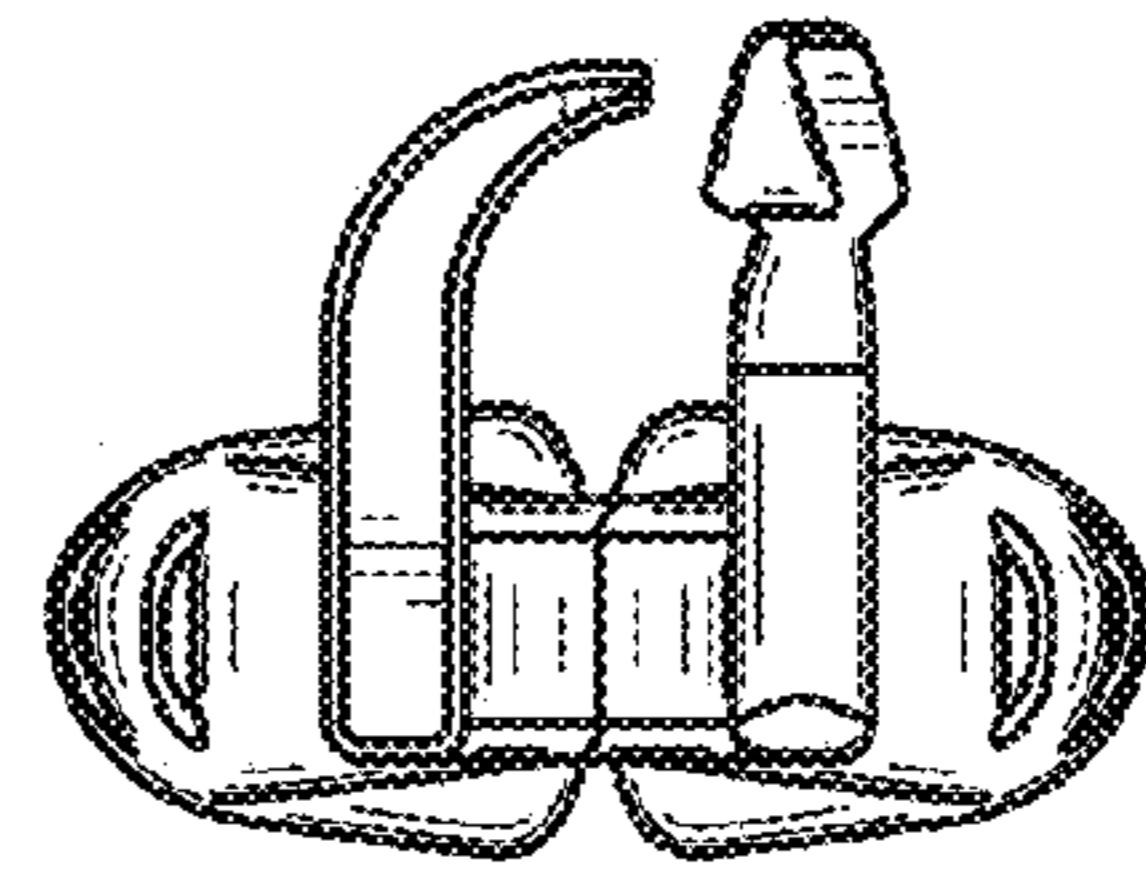


FIG. 19

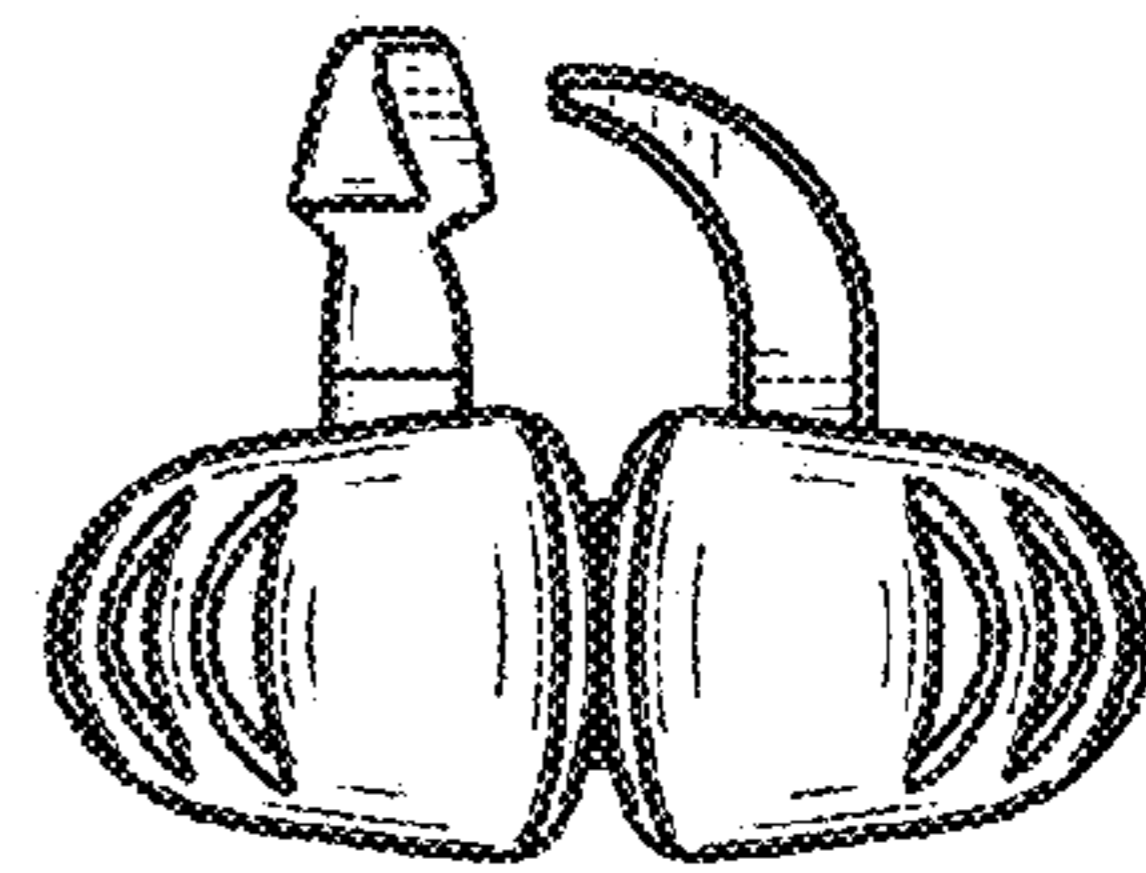


FIG. 20