



US00D690008S

(12) **United States Design Patent**
Wang et al.

(10) **Patent No.:** **US D690,008 S**

(45) **Date of Patent:** **** Sep. 17, 2013**

- (54) **SAFETY MEDICAL LANCET**
- (71) Applicant: **Shanghai Jinta Medical Apparatus Co., Ltd.**, Shanghai (CN)
- (72) Inventors: **Hsien-Tsung Wang**, Taipei (TW);
Chun-Yuan Mao, Shanghai (CN)
- (73) Assignee: **Shanghai Jinta Medical Apparatus Co., Ltd.**, Shanghai Fengjing Industrial Development Zone (South Area) (CN)
- (**) Term: **14 Years**
- (21) Appl. No.: **29/436,413**
- (22) Filed: **Nov. 6, 2012**
- (51) **LOC (9) Cl.** **24-02**
- (52) **U.S. Cl.**
USPC **D24/130**
- (58) **Field of Classification Search**
USPC D24/127-131, 112-114, 133, 186;
606/181, 185; 604/264, 272, 115, 232, 187,
604/158, 164.08, 192, 263, 163, 181, 184,
604/198, 227; 600/101, 139, 143; 128/200.24,
128/207.14, 207.15
See application file for complete search history.

- RE40,755 E * 6/2009 McWethy et al. D24/130
- D604,839 S * 11/2009 Crawford et al. D24/130
- D609,804 S * 2/2010 Uchida et al. D24/112
- D651,308 S * 12/2011 Crawford et al. D24/130
- D660,420 S * 5/2012 Shaw et al. D24/130
- 8,172,809 B2 * 5/2012 Ferguson et al. 604/192

* cited by examiner

Primary Examiner — David Muller

(74) *Attorney, Agent, or Firm* — Jackson IPG PLLC

(57) **CLAIM**

The ornamental design for a safety medical lancet, as shown and described.

DESCRIPTION

FIG. 1 is a perspective view showing my new design for a safety medical lancet;
 FIG. 2 is a front view thereof;
 FIG. 3 is a rear view thereof;
 FIG. 4 is a left view thereof;
 FIG. 5 is a right view thereof;
 FIG. 6 is a top view thereof;
 FIG. 7 is a bottom view thereof;
 FIG. 8 is a perspective view of the safety medical lancet of this invention illustrating ready for lancing;
 FIG. 9 is a cross-sectional view of the safety medical lancet of this invention;
 and,
 FIG. 10 is a cross-sectional view of the safety medical lancet of this invention after having completed lancing, with the needle withdrawn into the lancet when the user presses the latch.

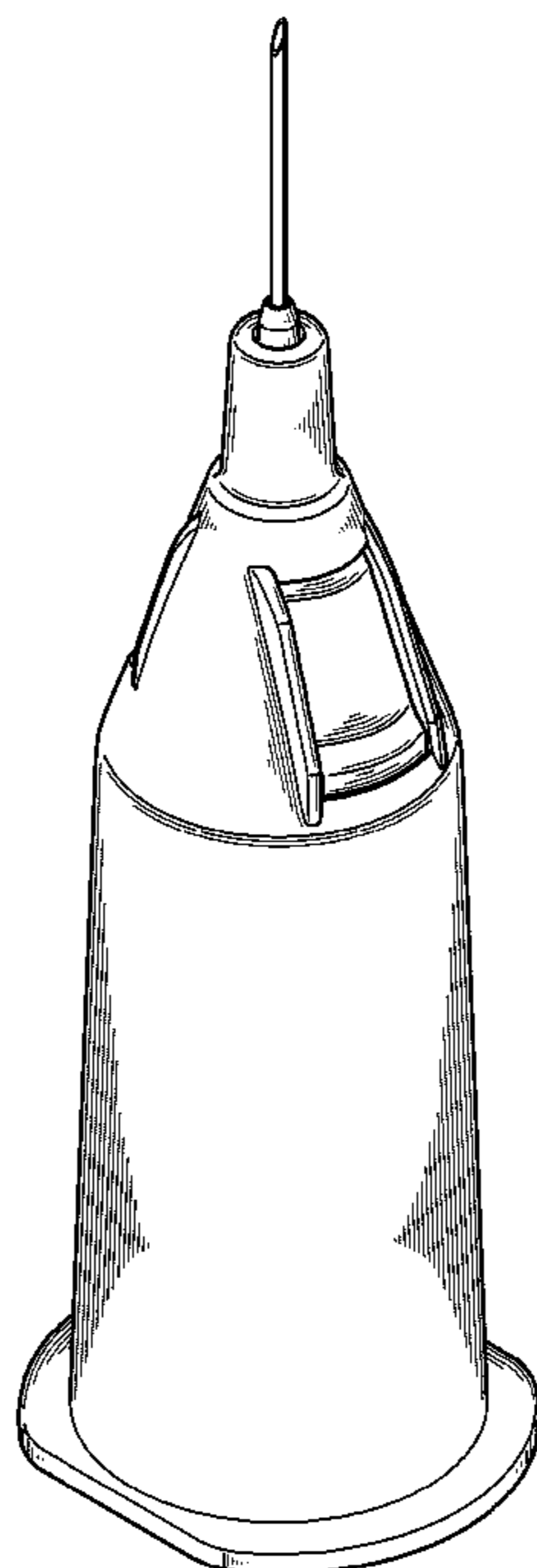
The features shown in broken lines depict environmental subject matter only and form no part of the claimed design.

1 Claim, 7 Drawing Sheets

(56) **References Cited**

U.S. PATENT DOCUMENTS

- 4,418,703 A * 12/1983 Hoch et al. 600/579
- 4,915,702 A * 4/1990 Haber 604/198
- D436,169 S * 1/2001 Wilkinson et al. D24/130
- 6,595,931 B2 * 7/2003 Ranford 604/192
- D484,242 S * 12/2003 Wilkinson D24/130
- D506,549 S * 6/2005 Woods D24/130



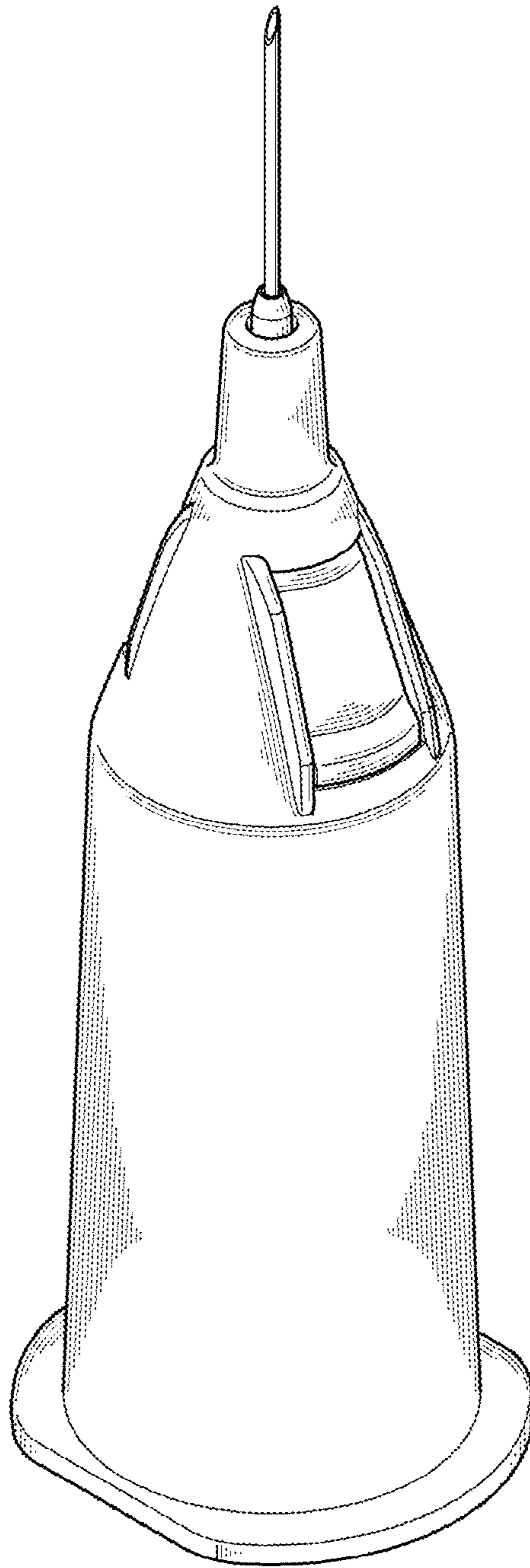


FIG. 1

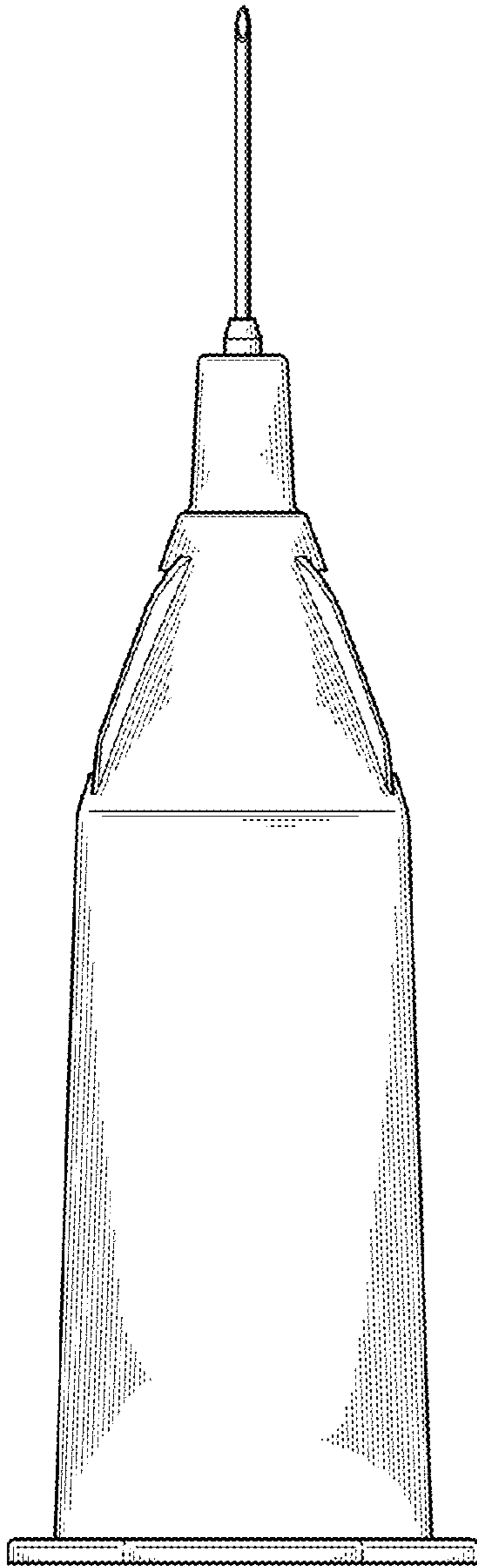


FIG. 2

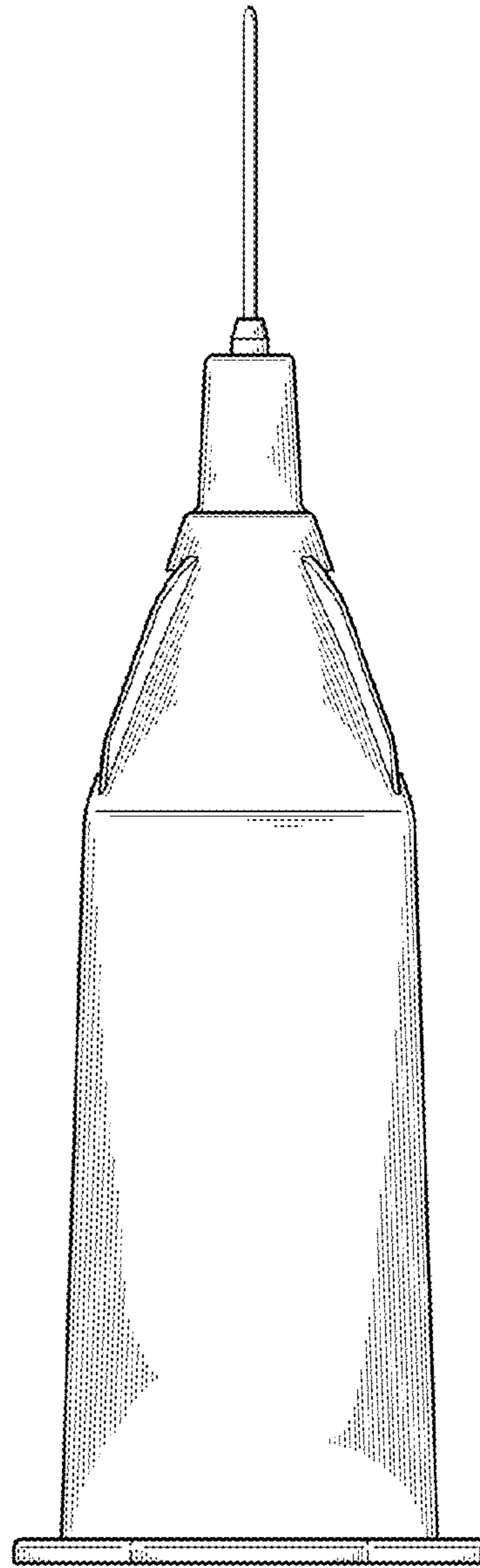


FIG. 3

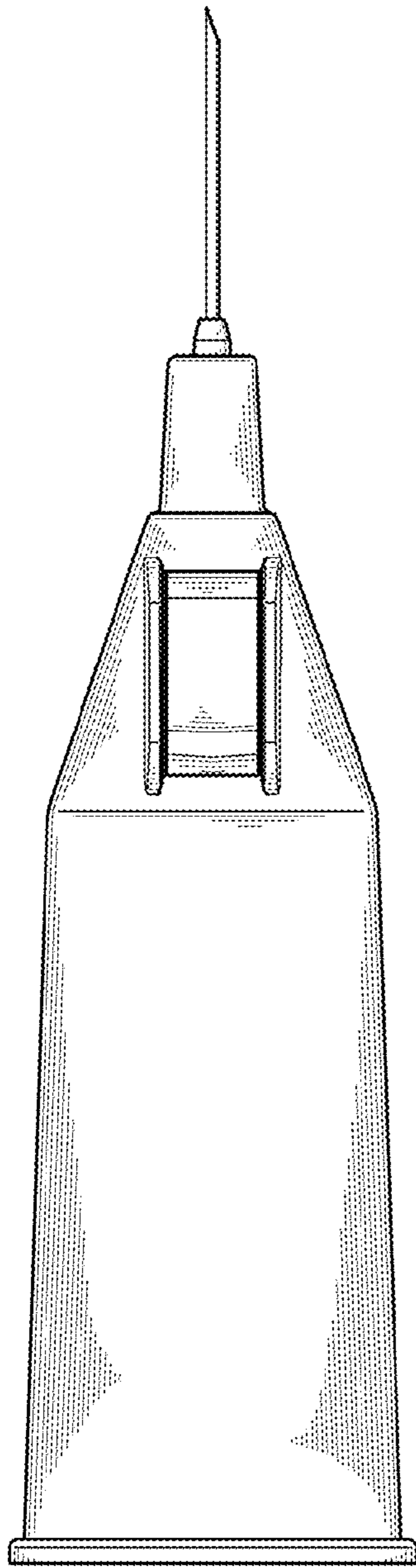


FIG. 4

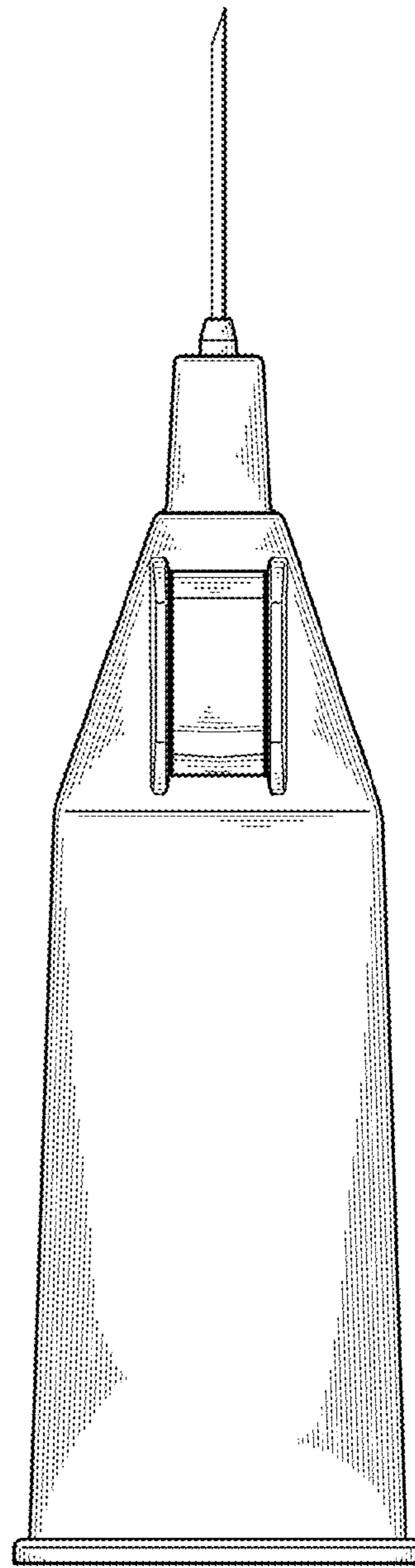


FIG. 5

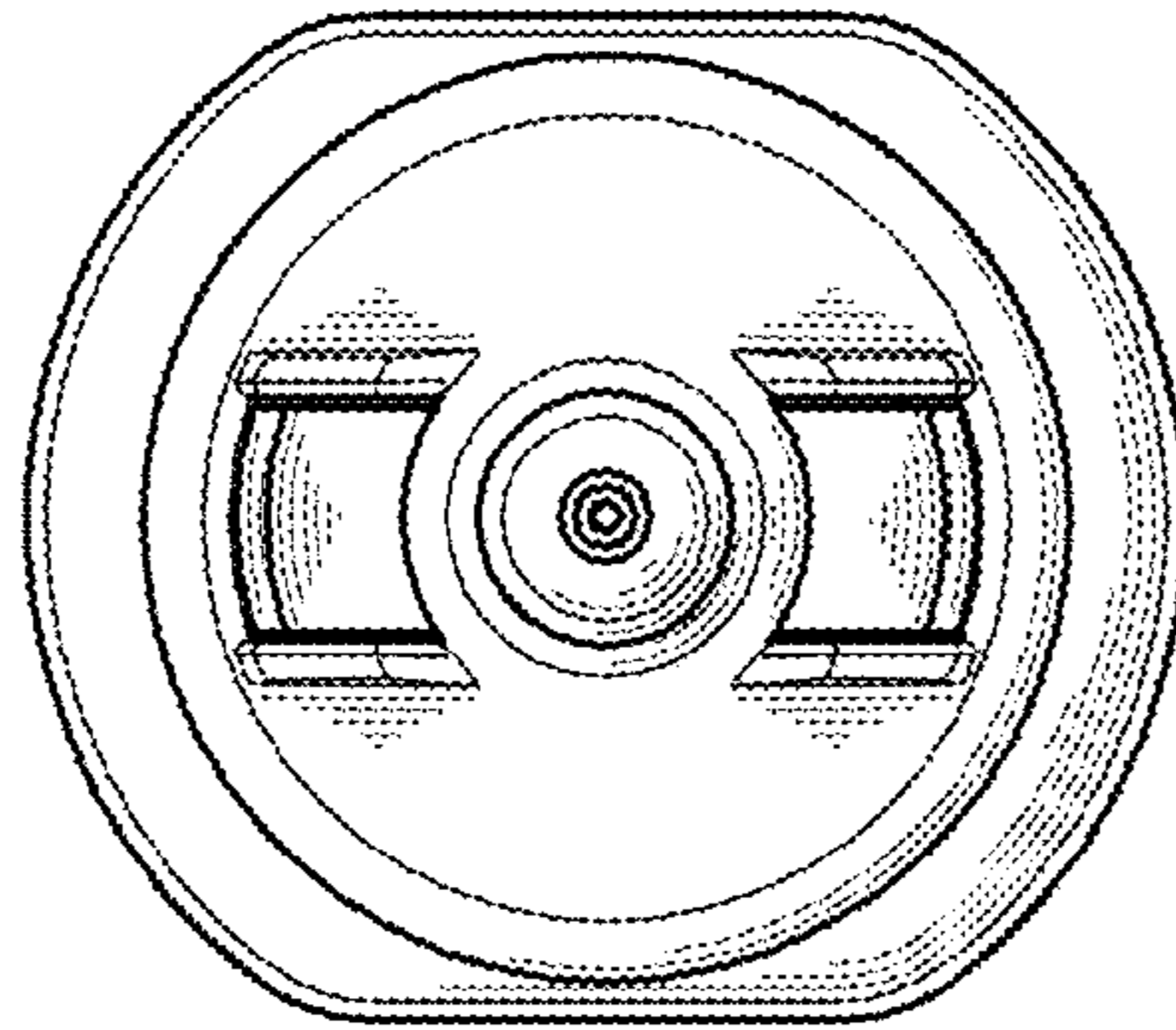


FIG. 6

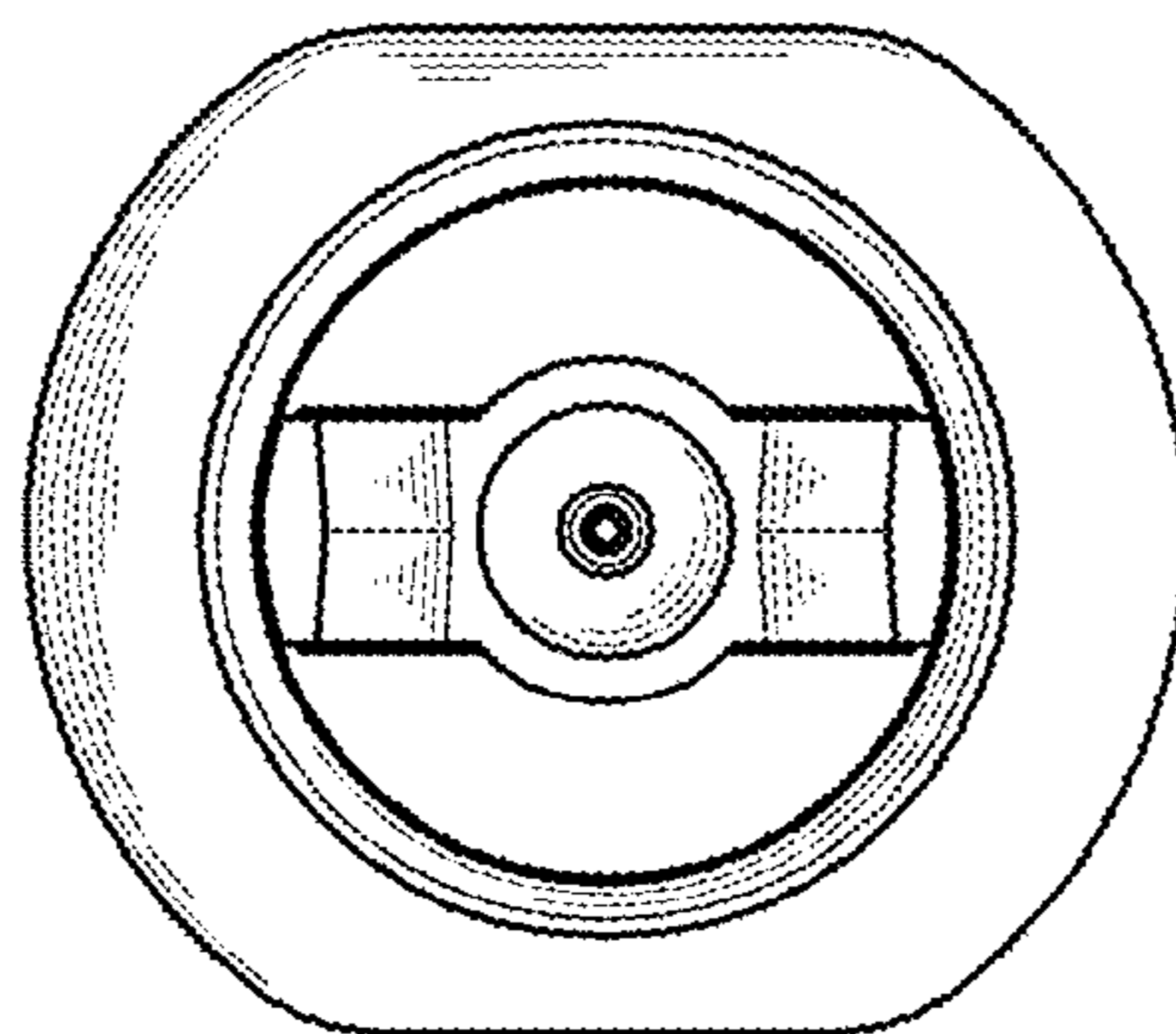


FIG. 7

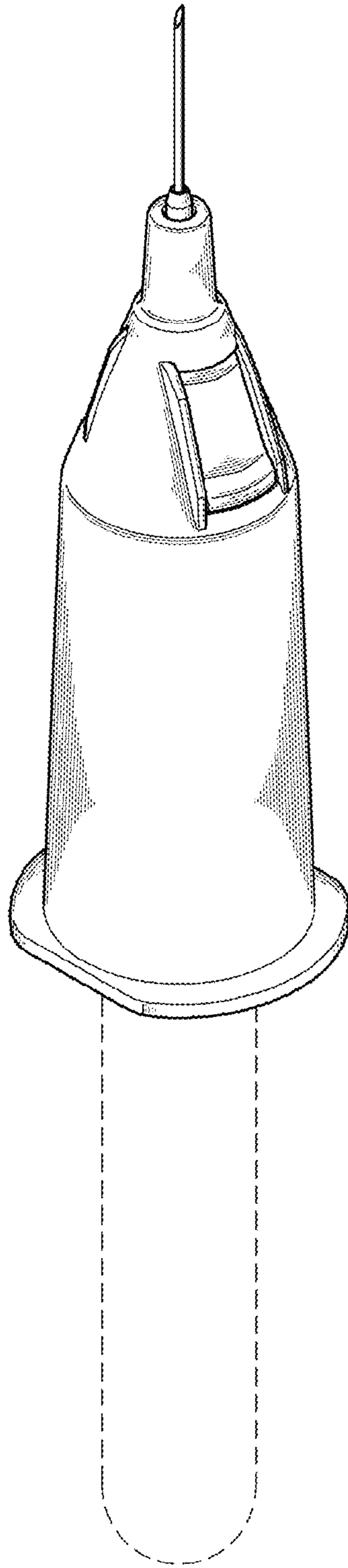


FIG. 8

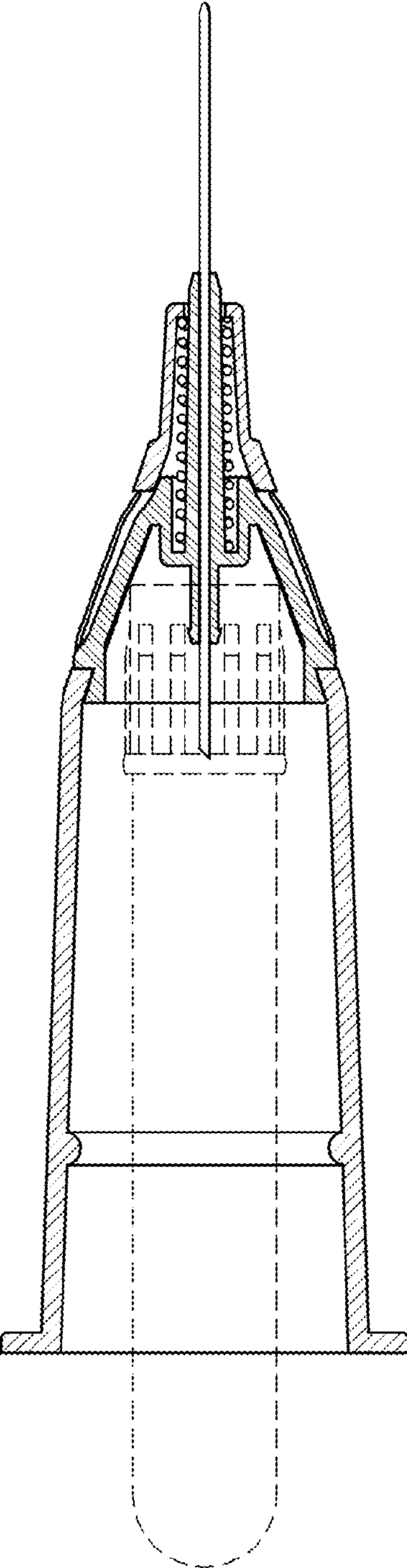


FIG.9

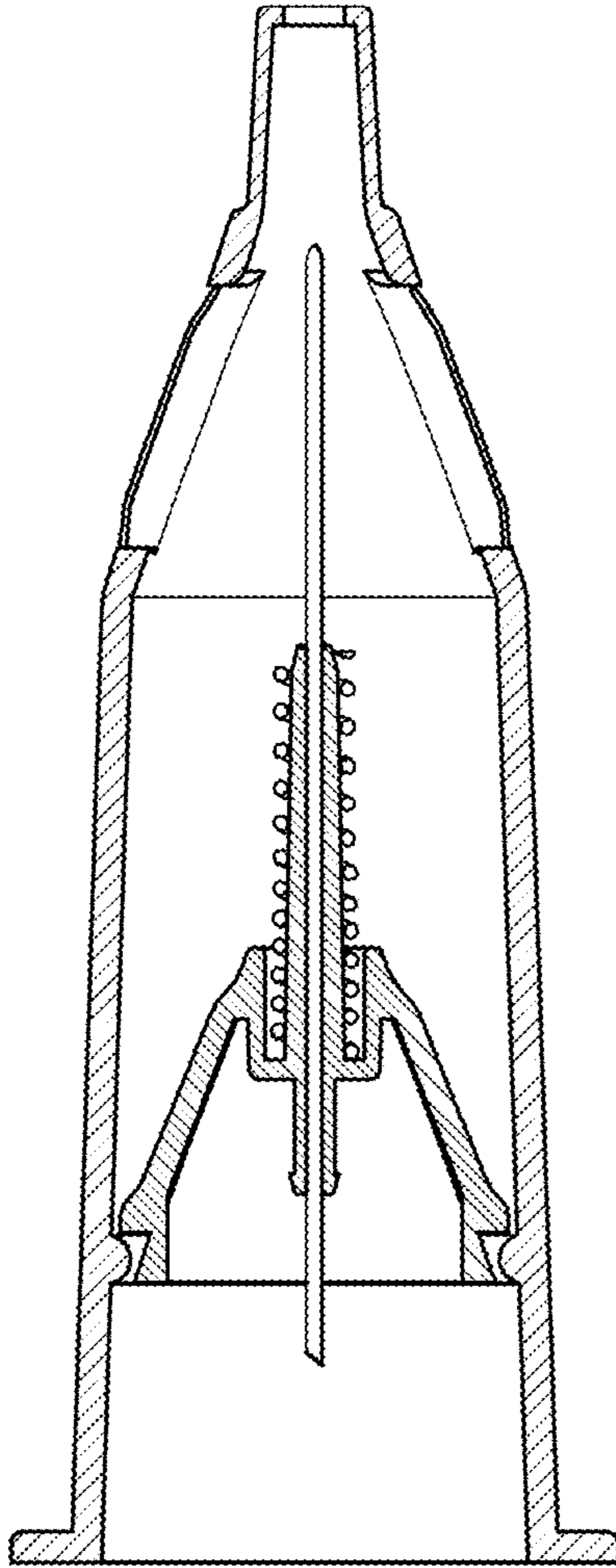


FIG.10