



US00D690006S

(12) **United States Design Patent**
Okuda et al.

(10) **Patent No.:** **US D690,006 S**
(45) **Date of Patent:** **** Sep. 17, 2013**

(54) **MEDICAL VENTILATION NEEDLE**

FOREIGN PATENT DOCUMENTS

(75) Inventors: **Akinobu Okuda**, Nara (JP); **Akihiro Ohta**, Osaka (JP)

JP	D861698	2/1993
JP	D916361	1/1995
JP	D916361-001	6/1995
JP	D1317423	12/2007
JP	D1358280	5/2009
JP	D1358640	5/2009
JP	D1368110	8/2009

(73) Assignee: **Panasonic Corporation**, Osaka (JP)

(**) Term: **14 Years**

* cited by examiner

(21) Appl. No.: **29/408,760**

Primary Examiner — David Muller

(22) Filed: **Dec. 16, 2011**

(74) *Attorney, Agent, or Firm* — Panasonic Patent Center

(51) **LOC (9) Cl.** **24-02**

(52) **U.S. Cl.**

USPC **D24/130**

(58) **Field of Classification Search**

USPC D24/127–131, 112–114, 133, 186;
606/181, 185; 604/411, 274, 414, 264, 272,
604/115, 232, 187, 158, 164.08, 192, 263,
604/163, 181, 184, 198, 227; 600/101, 139,
600/143; 128/200.24, 207.14, 207.15

See application file for complete search history.

(57) **CLAIM**

We claim the ornamental design for a medical ventilation needle, as shown and described.

DESCRIPTION

FIG. 1 is a top perspective view of a medical ventilation needle of the present invention;
FIG. 2 is a front view thereof;
FIG. 3 is a rear view thereof;
FIG. 4 is a first side view thereof;
FIG. 5 is a second side view thereof;
FIG. 6 is a top view thereof;
FIG. 7 is a bottom view thereof;
FIG. 8 is a cross sectional view thereof at 8-8 in FIG. 5; and,
FIG. 9 is a reference view thereof shown in an environmental use.

The dash dot lines immediately adjacent to the claimed areas in the views represent the boundaries of the claimed design. The dashed lines showing the medical ventilation needle illustrate the portions of the design that form no part of the claimed design. None of the broken lines form any part of the claimed design.

(56) **References Cited**

U.S. PATENT DOCUMENTS

4,262,671	A *	4/1981	Kersten	604/251
4,411,657	A *	10/1983	Galindo	604/274
4,537,593	A	8/1985	Alchas	
4,834,744	A *	5/1989	Ritson	604/411
4,842,585	A *	6/1989	Witt	604/158
D372,403	S *	8/1996	Jensen	D24/114
5,573,519	A *	11/1996	Zohmann	604/272
5,730,754	A *	3/1998	Obenchain	606/185
7,144,405	B2 *	12/2006	Vargas et al.	606/185
D540,467	S *	4/2007	Mori	D24/130
D540,468	S *	4/2007	Mori	D24/130
D541,936	S *	5/2007	Patterson	D24/112
D617,448	S *	6/2010	Singh	D24/112
D640,788	S *	6/2011	Appling	D24/130

1 Claim, 9 Drawing Sheets

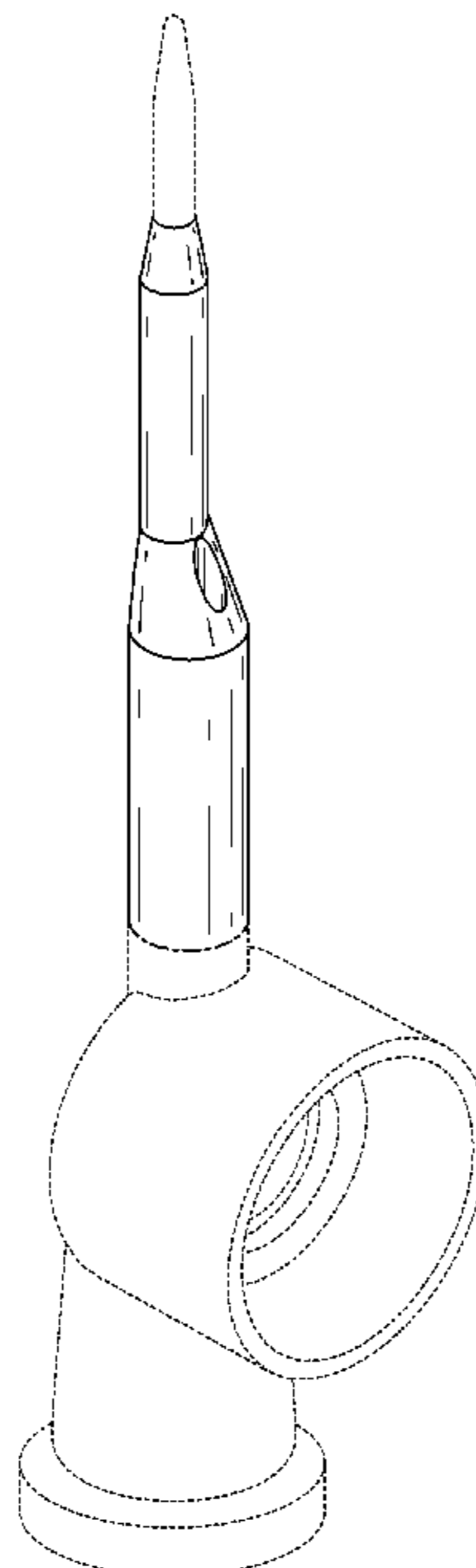


FIG. 1

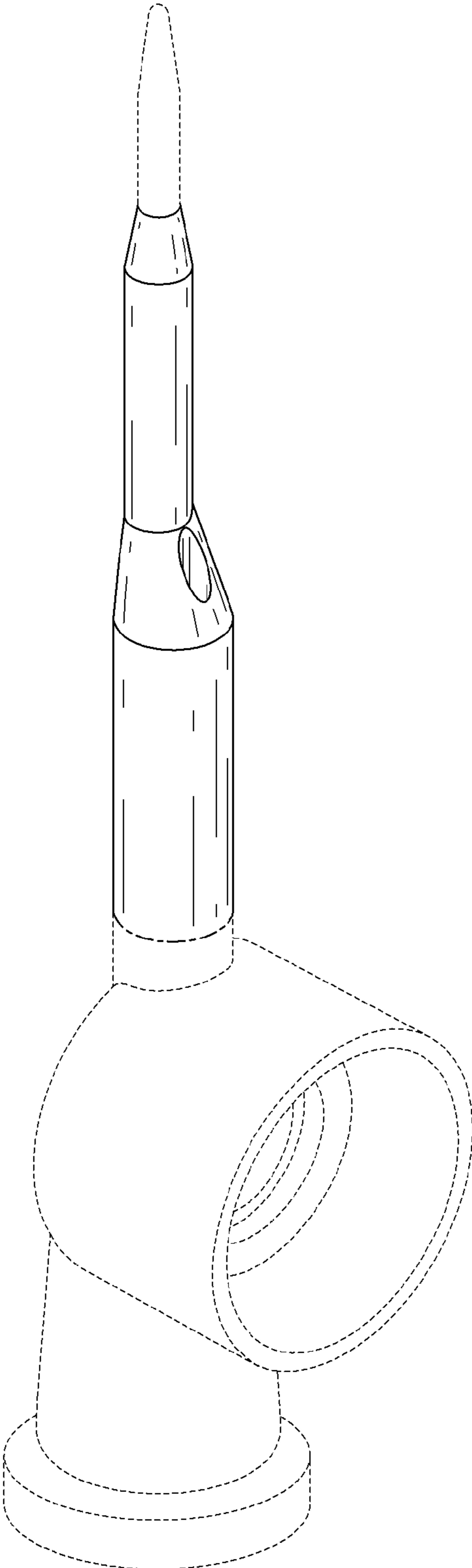


FIG. 2

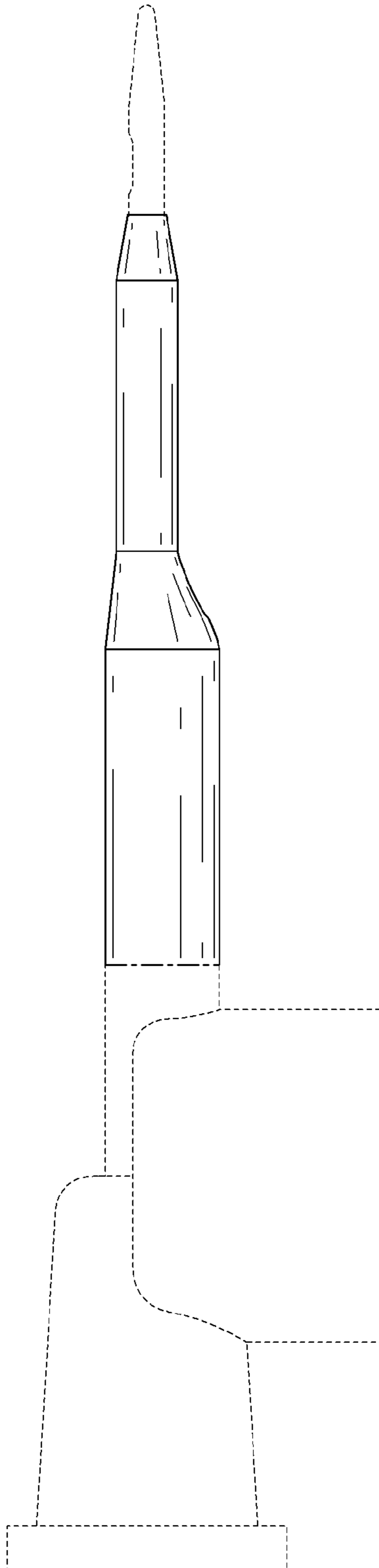


FIG. 3

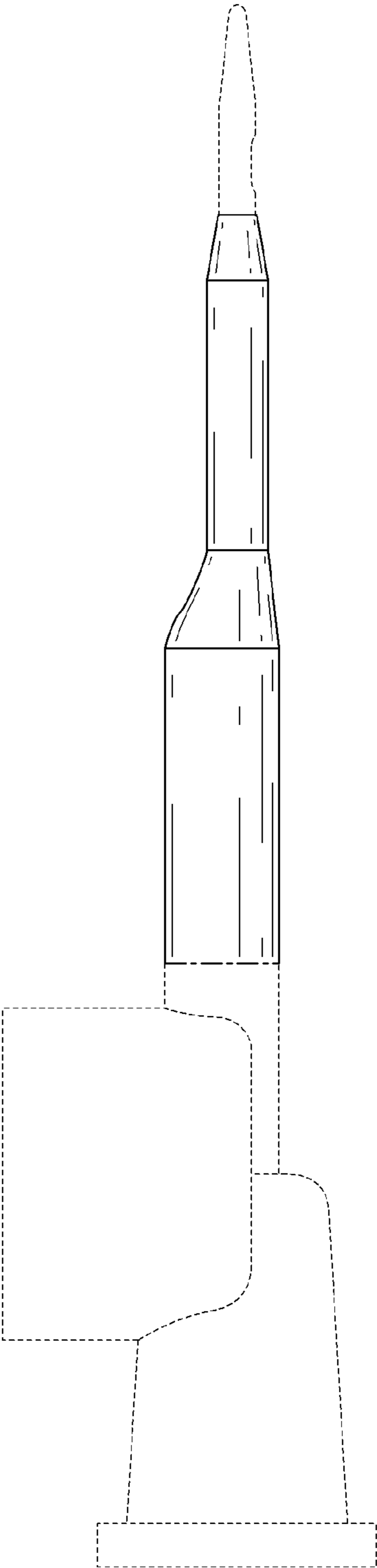


FIG. 4

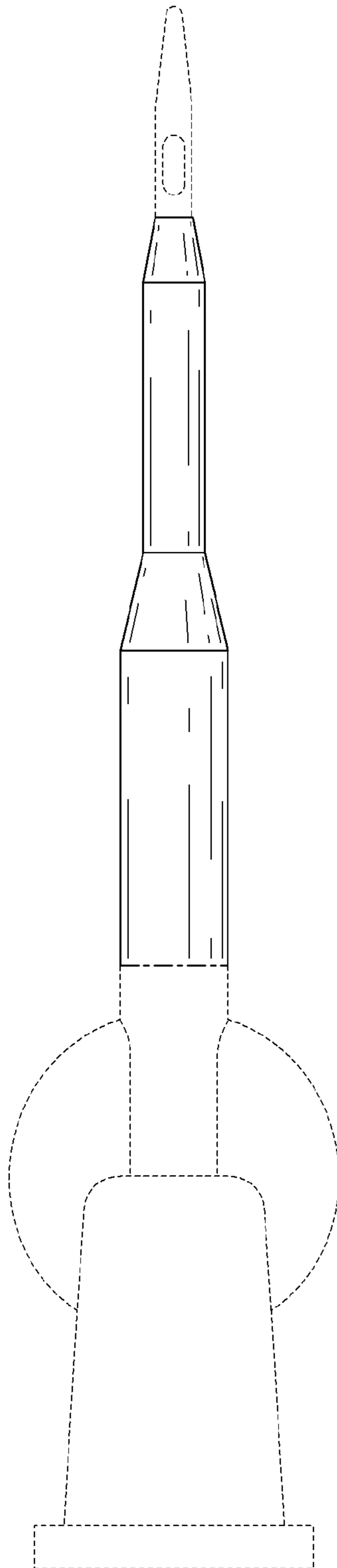


FIG. 5

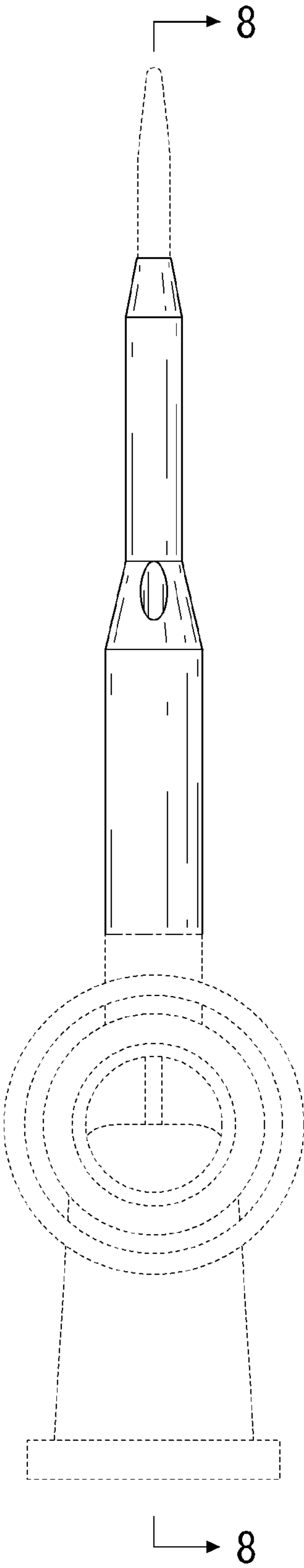


FIG. 6

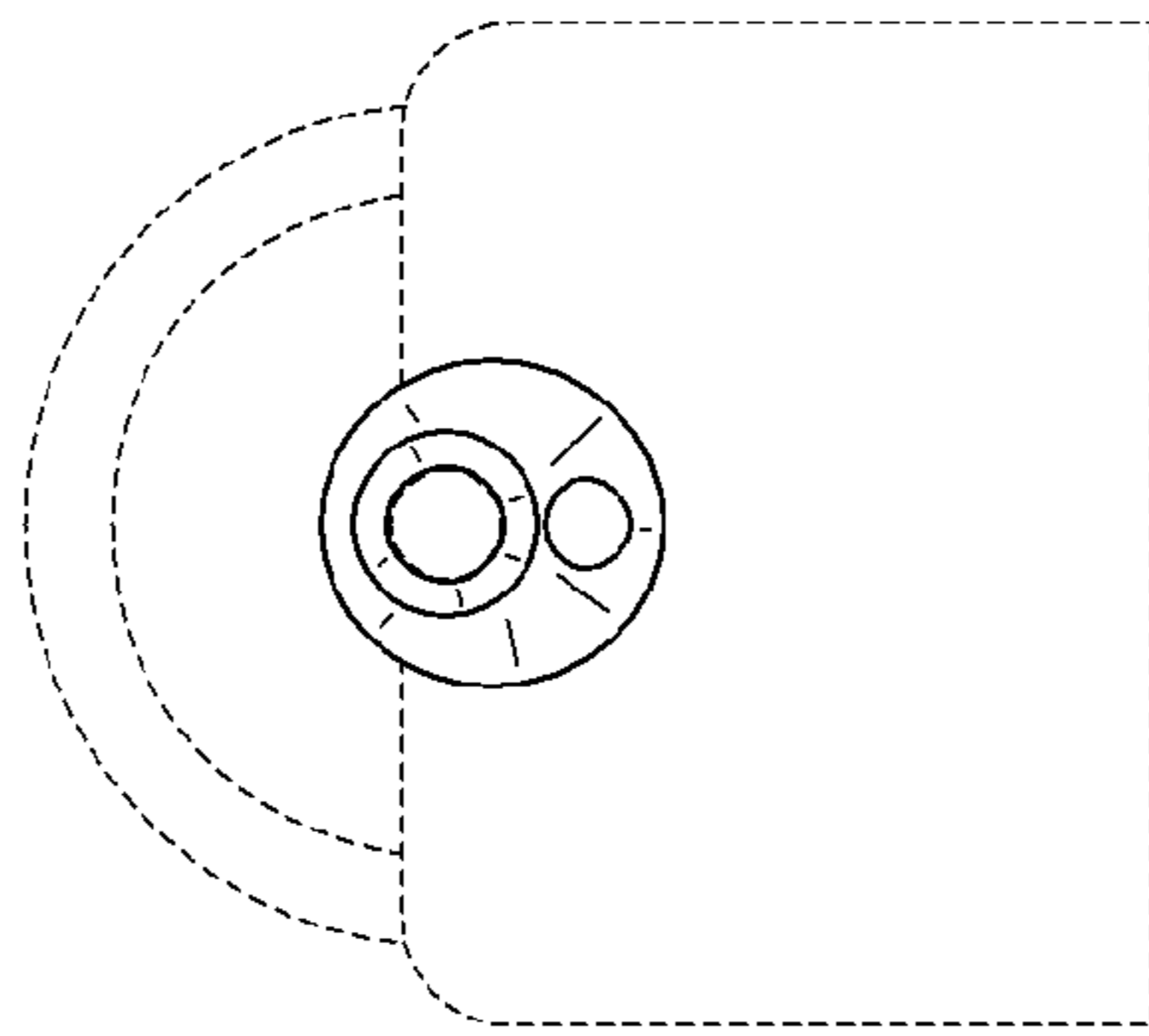


FIG. 7

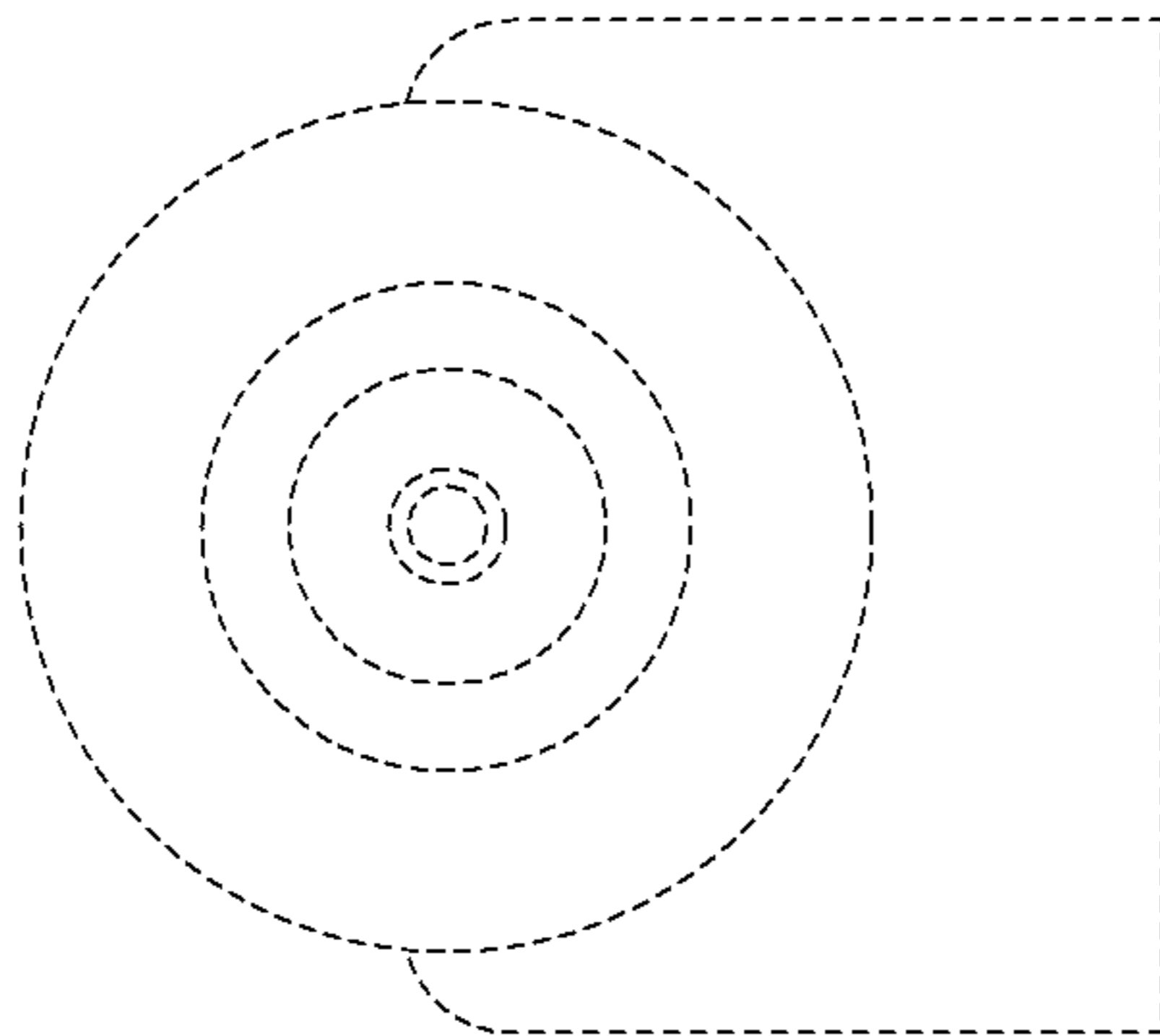


FIG. 8

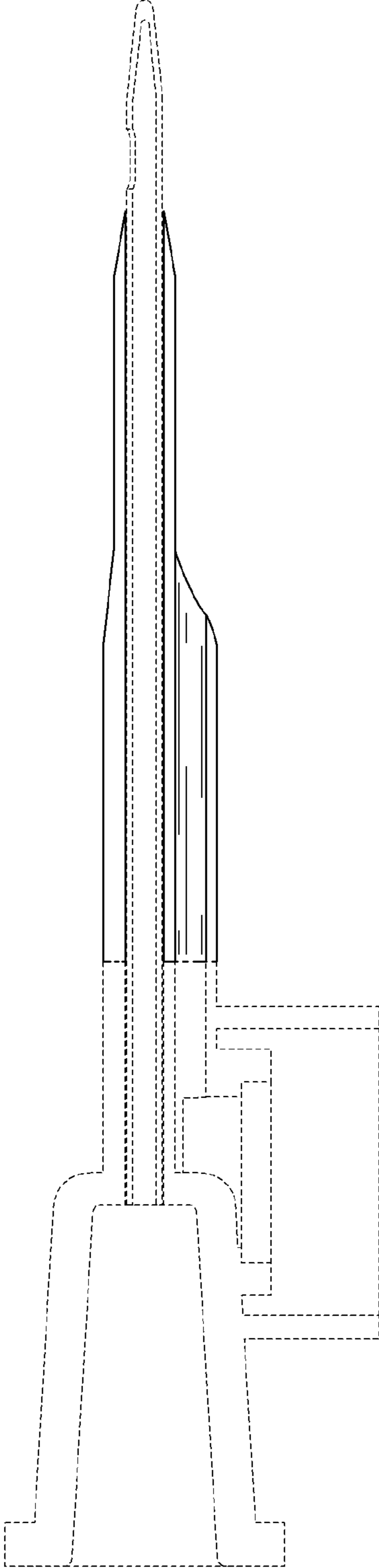


FIG. 9

