



US00D690005S

(12) **United States Design Patent**  
**Okuda et al.**

(10) **Patent No.:** **US D690,005 S**

(45) **Date of Patent:** **\*\* Sep. 17, 2013**

(54) **MEDICAL VENTILATION NEEDLE**

(75) Inventors: **Akinobu Okuda**, Nara (JP); **Akihiro Ohta**, Osaka (JP)

(73) Assignee: **Panasonic Corporation**, Osaka (JP)

(\*\*) Term: **14 Years**

(21) Appl. No.: **29/408,759**

(22) Filed: **Dec. 16, 2011**

(51) **LOC (9) Cl.** ..... **24-02**

(52) **U.S. Cl.**  
USPC ..... **D24/130**

(58) **Field of Classification Search**  
USPC ..... D24/127-131, 112-114, 133, 186;  
606/181, 185; 604/411, 274, 414, 264, 272,  
604/115, 232, 187, 158, 164.08, 192, 263,  
604/163, 181, 184, 198, 227; 600/101, 139,  
600/143; 128/200.24, 207.14, 207.15  
See application file for complete search history.

(56) **References Cited**

U.S. PATENT DOCUMENTS

4,262,671	A *	4/1981	Kersten .....	604/411
4,537,593	A	8/1985	Alchas	
4,834,744	A *	5/1989	Ritson .....	604/411
4,842,585	A *	6/1989	Witt .....	604/274
D353,197	S *	12/1994	Hawks .....	D24/112
5,411,499	A *	5/1995	Dudar et al. ....	604/411
5,514,113	A *	5/1996	Anderson et al. ....	604/272
5,527,306	A *	6/1996	Haining .....	604/411
5,554,137	A *	9/1996	Young et al. ....	604/264
5,573,519	A *	11/1996	Zohmann .....	604/272
5,752,942	A *	5/1998	Doyle et al. ....	604/274
D506,550	S *	6/2005	Greenberg .....	D24/133
D565,731	S *	4/2008	Eisenkolb et al. ....	D24/129
7,645,268	B2 *	1/2010	Mickley et al. ....	604/274

FOREIGN PATENT DOCUMENTS

JP	D861698	2/1993
JP	D916361	1/1995
JP	D916361-001	6/1995
JP	D1317423	12/2007
JP	D1358280	5/2009
JP	D1358640	5/2009
JP	D1368110	8/2009

\* cited by examiner

*Primary Examiner* — David Muller

(74) *Attorney, Agent, or Firm* — Panasonic Patent Center

(57) **CLAIM**

We claim the ornamental design for a medical ventilation needle, as shown and described.

**DESCRIPTION**

FIG. 1 is a top perspective view of a medical ventilation needle of the present invention;  
FIG. 2 is a front view thereof;  
FIG. 3 is a rear view thereof;  
FIG. 4 is a first side view thereof;  
FIG. 5 is a second side view thereof;  
FIG. 6 is a top view thereof;  
FIG. 7 is a bottom view thereof;  
FIG. 8 is a cross sectional view thereof at 8-8 in FIG. 5; and,  
FIG. 9 is a reference view thereof shown in an environmental use.

The dash dot lines immediately adjacent to the claimed areas in the views represent the boundaries of the claimed design. The dashed lines showing the medical ventilation needle illustrate the portions of the design that form no part of the claimed design. None of the broken lines form any part of the claimed design.

**1 Claim, 9 Drawing Sheets**

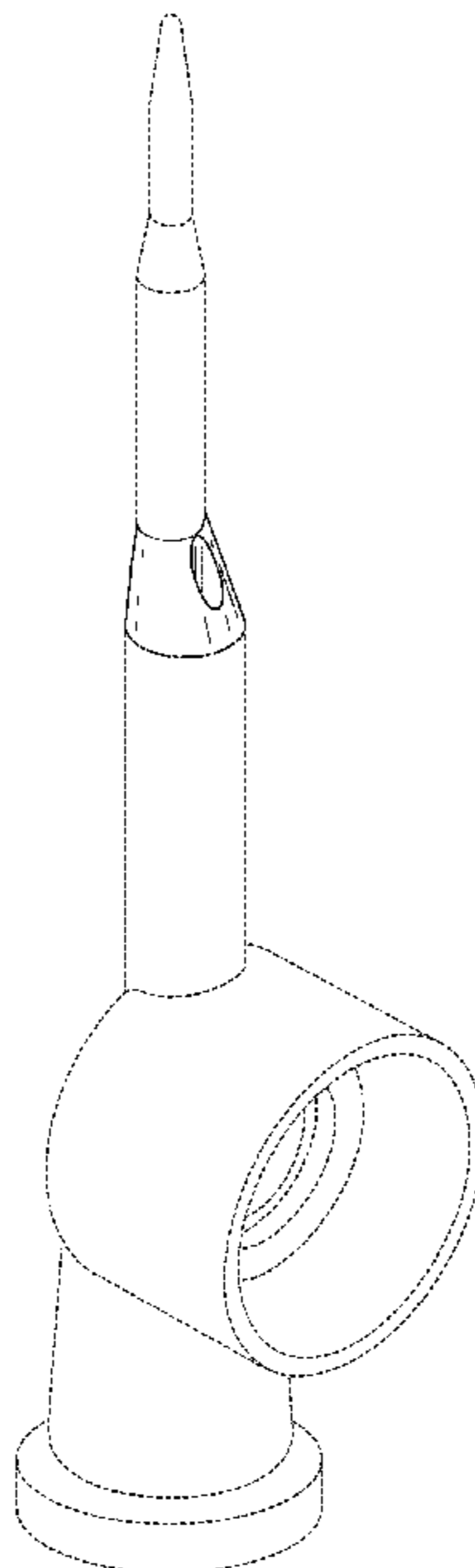


FIG. 1

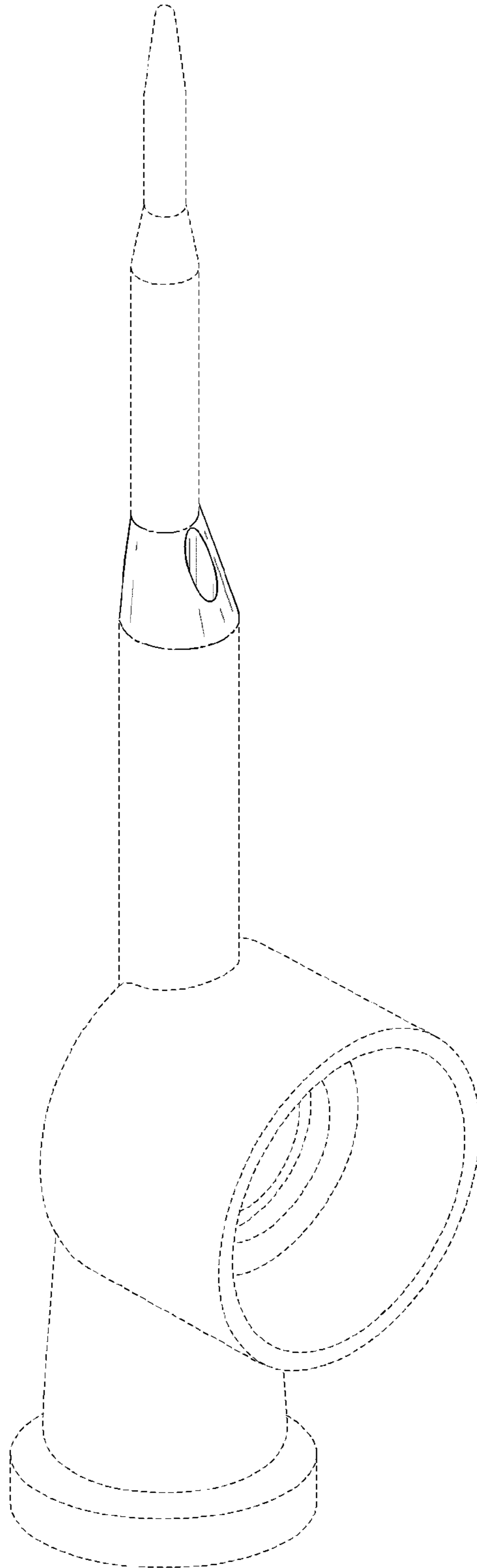


FIG. 2

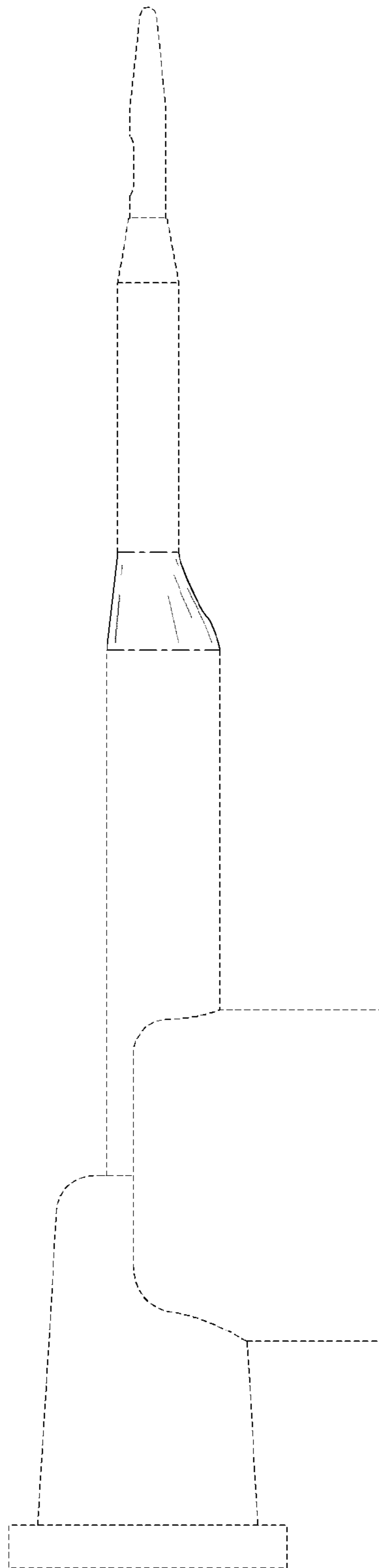


FIG. 3

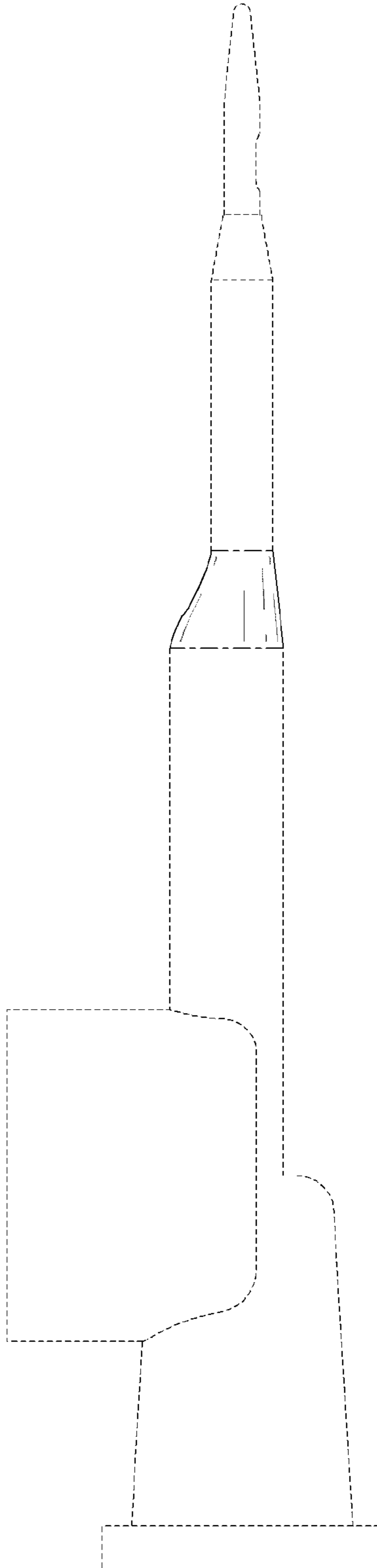


FIG. 4

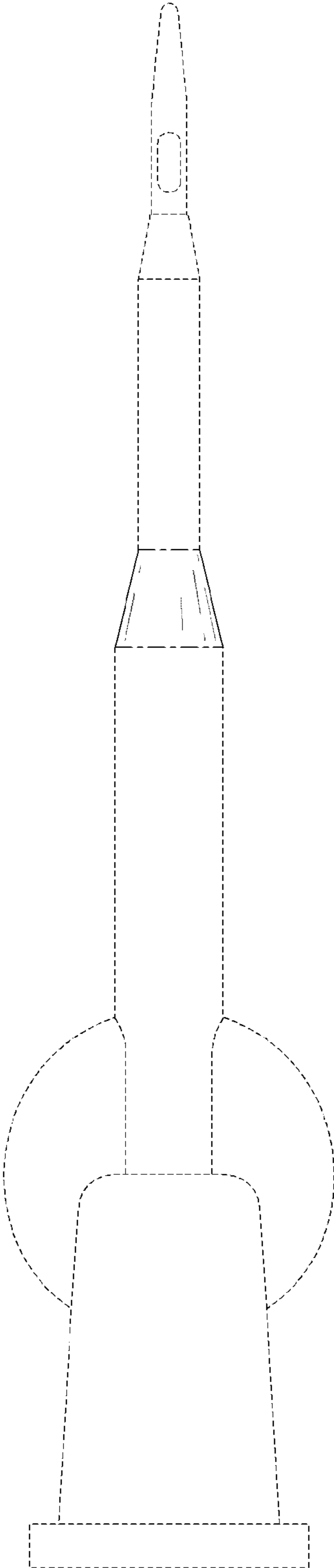


FIG. 5

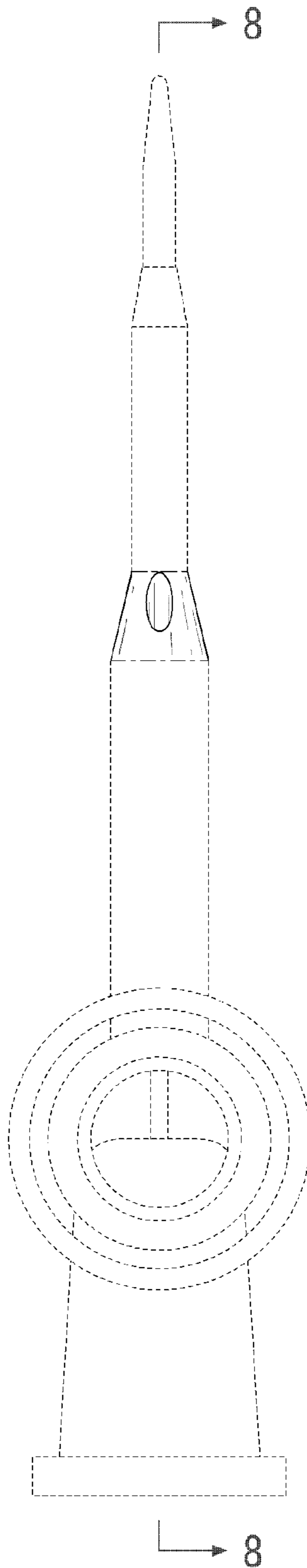


FIG. 6

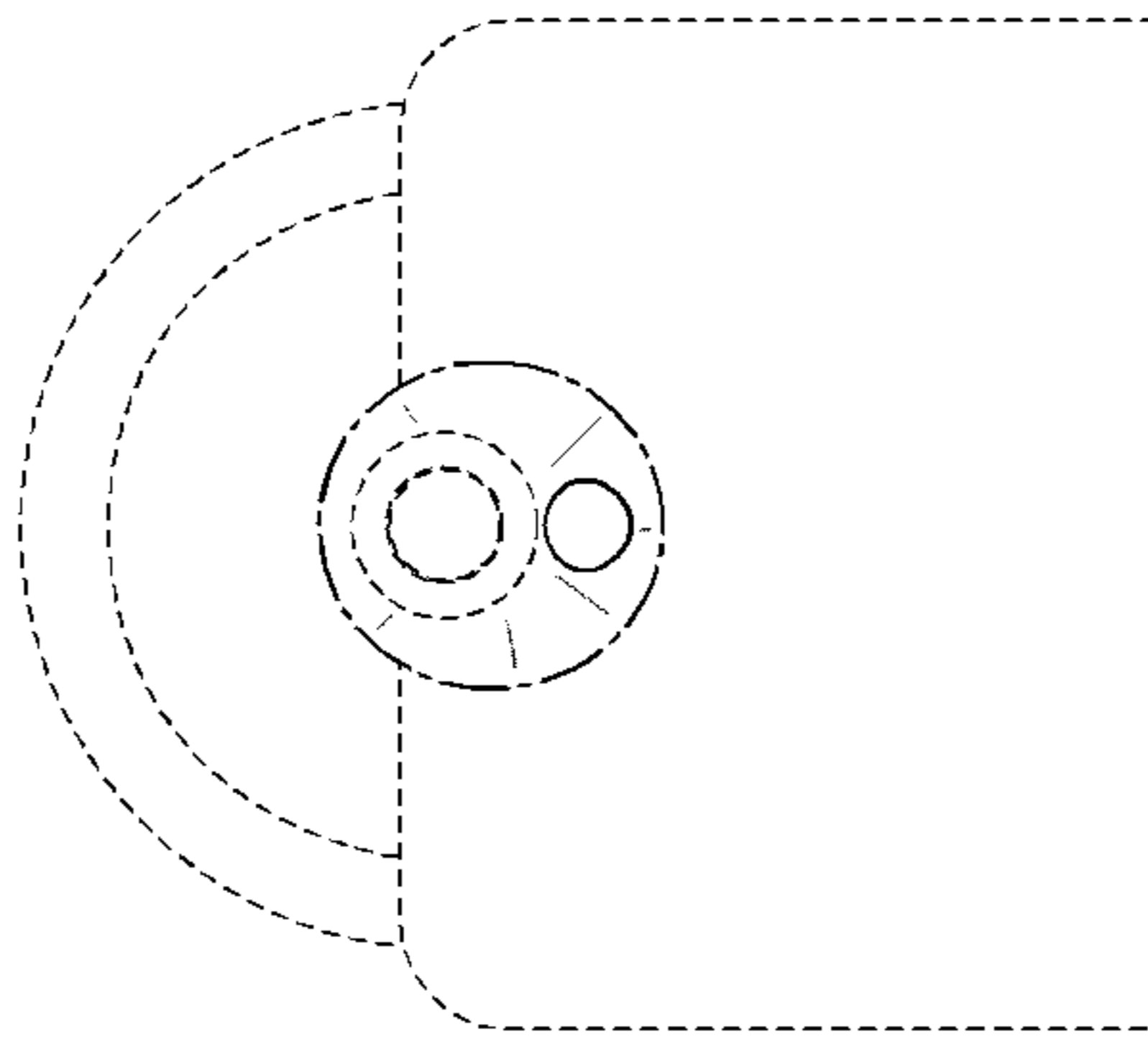


FIG. 7

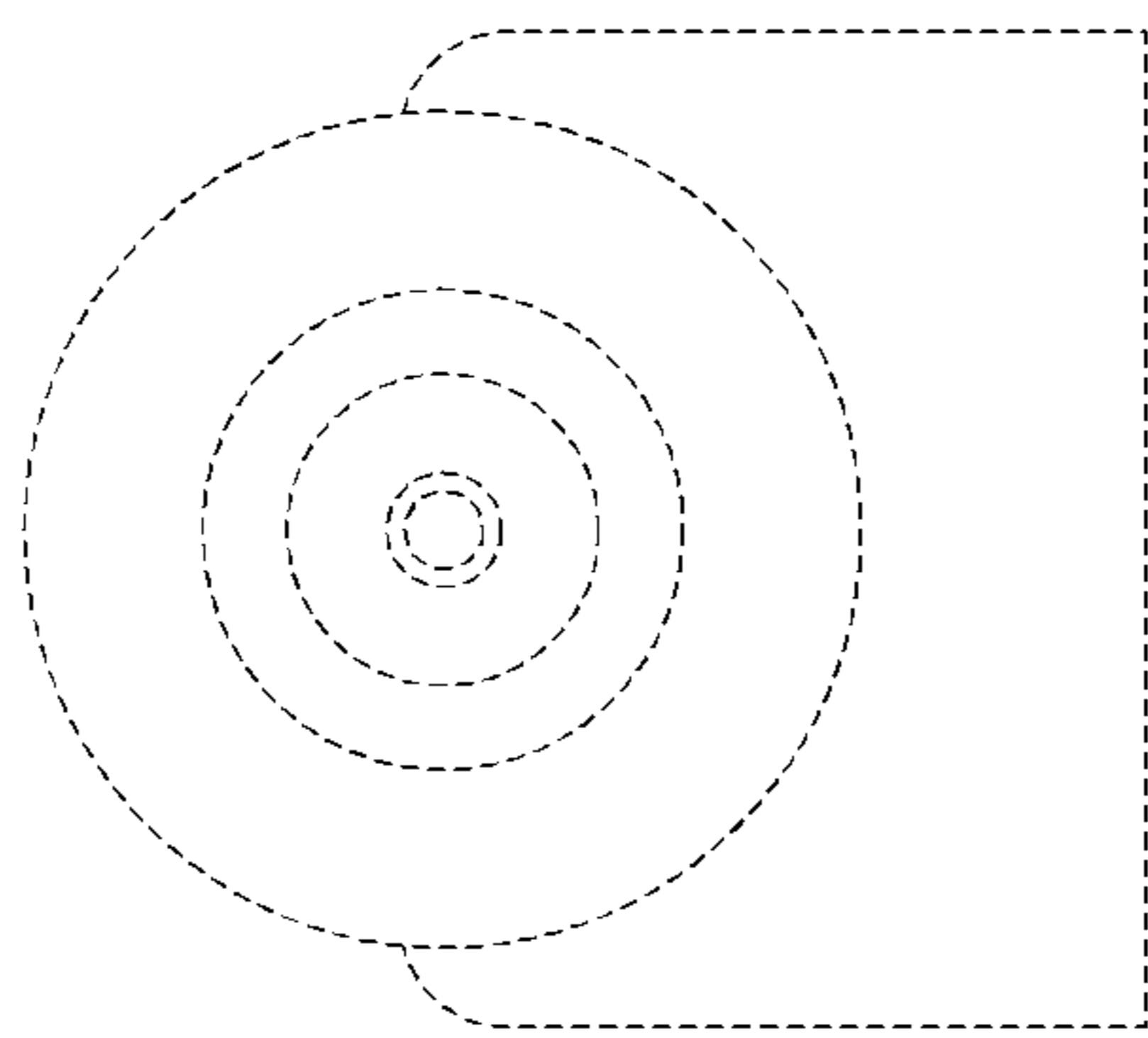




FIG. 8

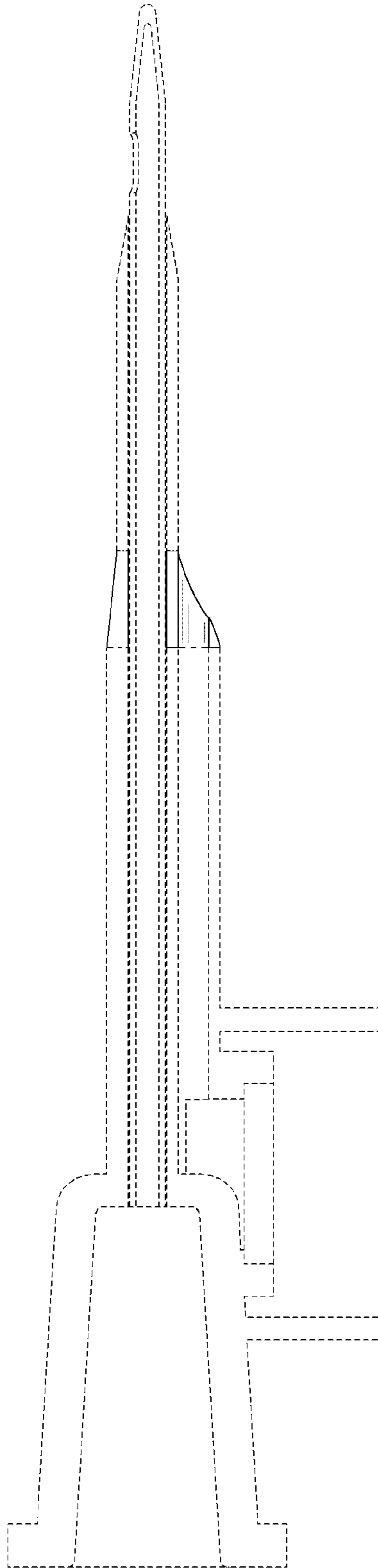


FIG. 9

