



US00D690002S

(12) **United States Design Patent**  
**Storey et al.**

(10) **Patent No.:** **US D690,002 S**  
(45) **Date of Patent:** **\*\* Sep. 17, 2013**

(54) **PORTABLE HANDHELD VAPORIZING DEVICE**

(75) Inventors: **John Joseph Storey**, Portlaoise (IE);  
**Ciaran Michael Purdy**, Belfast (GB);  
**Christopher Augustin Luomanen**, San Francisco, CA (US); **Patrick Joseph Brereton**, Palatine (IE)

(73) Assignee: **Oglesby & Butler Limited**, Carlow (IE)

(\*\*) Term: **14 Years**

(21) Appl. No.: **29/394,125**

(22) Filed: **Jun. 13, 2011**

(30) **Foreign Application Priority Data**

Dec. 14, 2010 (EM) ..... 001249965  
Mar. 2, 2011 (EM) ..... 001263339

(51) **LOC (9) Cl.** ..... **29-02**

(52) **U.S. Cl.**  
USPC ..... **D24/110; D27/163**

(58) **Field of Classification Search**  
USPC ..... D24/110, 110.4, 110.5; D27/197,  
D27/286, 162-169, 194; D23/366;  
131/328-330, 174-186, 192-194, 351  
See application file for complete search history.

(56) **References Cited**

**U.S. PATENT DOCUMENTS**

2,240,678 A \* 5/1941 Stanard ..... 131/185  
D368,552 S \* 4/1996 Adams ..... D27/194  
5,529,078 A \* 6/1996 Rehder et al. .... 131/175  
D371,633 S \* 7/1996 Chenard ..... D27/163  
D422,113 S \* 3/2000 Higgins et al. .... D27/186  
6,536,442 B2 \* 3/2003 St. Charles et al. .... 131/194  
D537,930 S \* 3/2007 Nelson ..... D23/366  
D538,914 S \* 3/2007 Nelson ..... D23/366  
D547,440 S \* 7/2007 Louet-Feisser ..... D24/110  
D649,708 S \* 11/2011 Oneil ..... D27/163  
2008/0149118 A1 \* 6/2008 Oglesby et al. .... 131/194  
2009/0283103 A1 \* 11/2009 Nielsen et al. .... 131/273  
2010/0163063 A1 \* 7/2010 Fernando et al. .... 131/184.1

**OTHER PUBLICATIONS**

The WISPR Vaporiser Looks Like a Retro Transistor [on-line].  
gizmodo.co.uk blog, posted on Oct. 15, 2011, [retrieved on Aug. 12,  
2012]. Retrieved from the Internet. <URL: <http://gizmodo.com/5850130/the-wispr-vaporizer-looks-like-a-retro-transistor-radio>>.\*  
Lipinski, Jed. Hidden in Plain Sight [on-line]. The New York Times,  
thing-tank.blogspot.com, published Oct. 5, 2011, posted on Oct. 13,  
2011, [retrieved on Sep. 1, 2012]. Retrieved from the Internet. <URL:  
[thing-tank.blogspot.com/2011\\_10\\_01\\_archive.html](http://thing-tank.blogspot.com/2011_10_01_archive.html)>.\*

\* cited by examiner

*Primary Examiner* — Ian Simmons

*Assistant Examiner* — Eleni H Aldridge

(74) *Attorney, Agent, or Firm* — Sughrue Mion, PLLC

(57) **CLAIM**

The ornamental design for a portable handheld vaporizing device, as shown and described.

**DESCRIPTION**

FIG. 1 is a top perspective view of the portable handheld vaporizing device showing our new design with the mouth piece component shown in a raised position;  
FIG. 2 is another top perspective view thereof;  
FIG. 3 is a front elevational view thereof;  
FIG. 4 is a rear elevational view thereof;  
FIG. 5 is a top plan view thereof;  
FIG. 6 is a bottom plan view thereof;  
FIG. 7 is a left side elevational view thereof;  
FIG. 8 is a top perspective view of the portable handheld vaporizing device with the mouth piece component shown in a lowered position;  
FIG. 9 is another top perspective view thereof;  
FIG. 10 is a front elevational view thereof;  
FIG. 11 is a rear elevational view thereof;  
FIG. 12 is a top plan view thereof;  
FIG. 13 is a left side elevational view thereof;  
FIG. 14 is a top perspective view of the draw tube portion of the portable handheld vaporizing device shown in a raised position, with the mouth piece component and vaporizer removed;  
FIG. 15 is a rear elevational view thereof;

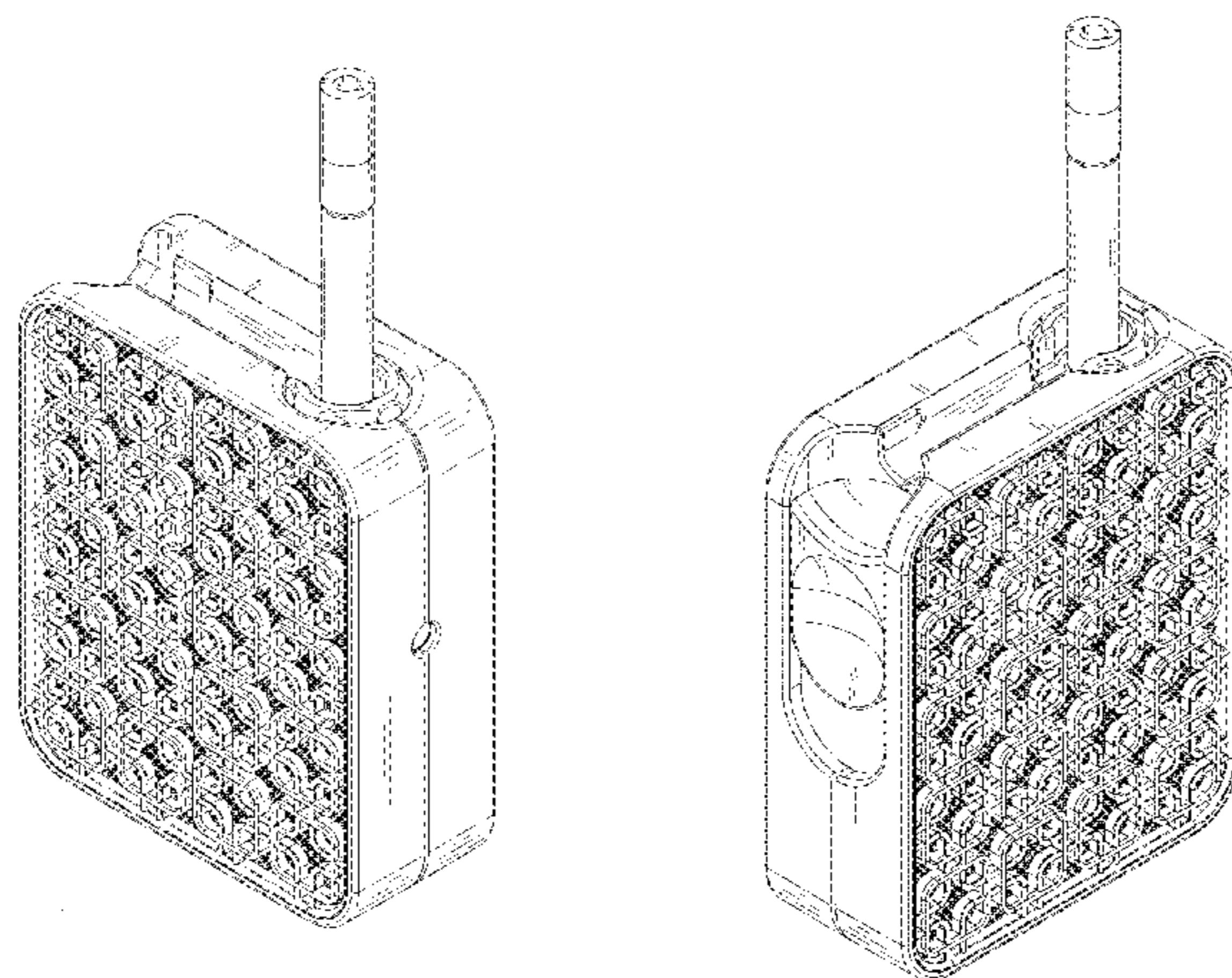


FIG. 16 is a left side elevational view thereof;  
FIG. 17 is a top plan view thereof;  
FIG. 18 is a bottom plan view thereof;  
FIG. 19 is a top perspective view of the draw tube component of the portable handheld vaporizing device shown in the lowered position;  
FIG. 20 is a front elevational view thereof;  
FIG. 21 is a front perspective view of the mouth piece component of the portable handheld vaporizing device shown in a raised position with the vaporizer removed;  
FIG. 22 is a rear elevational view thereof;

FIG. 23 is a left side elevational view thereof;  
FIG. 24 is a top plan view thereof; and,  
FIG. 25 is a front perspective view of the mouth piece component of the portable handheld vaporizing device shown in a lowered position with the vaporizer removed.  
The broken lines showing in FIGS. 6 and 18 on the portable handheld vaporizing device are included for the purpose of illustrating unclaimed features and form no part of the claimed design.

**1 Claim, 10 Drawing Sheets**



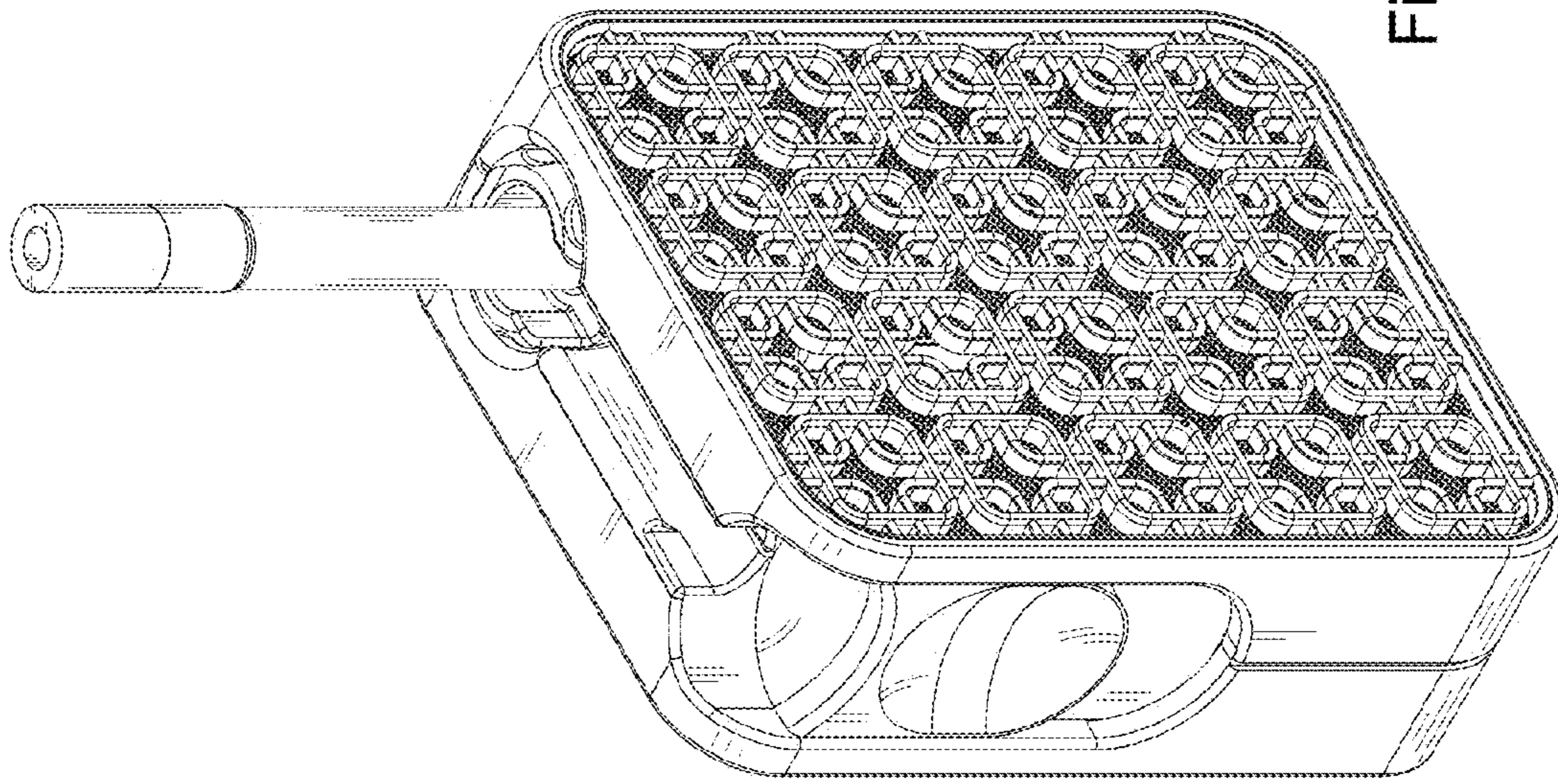


Fig. 2

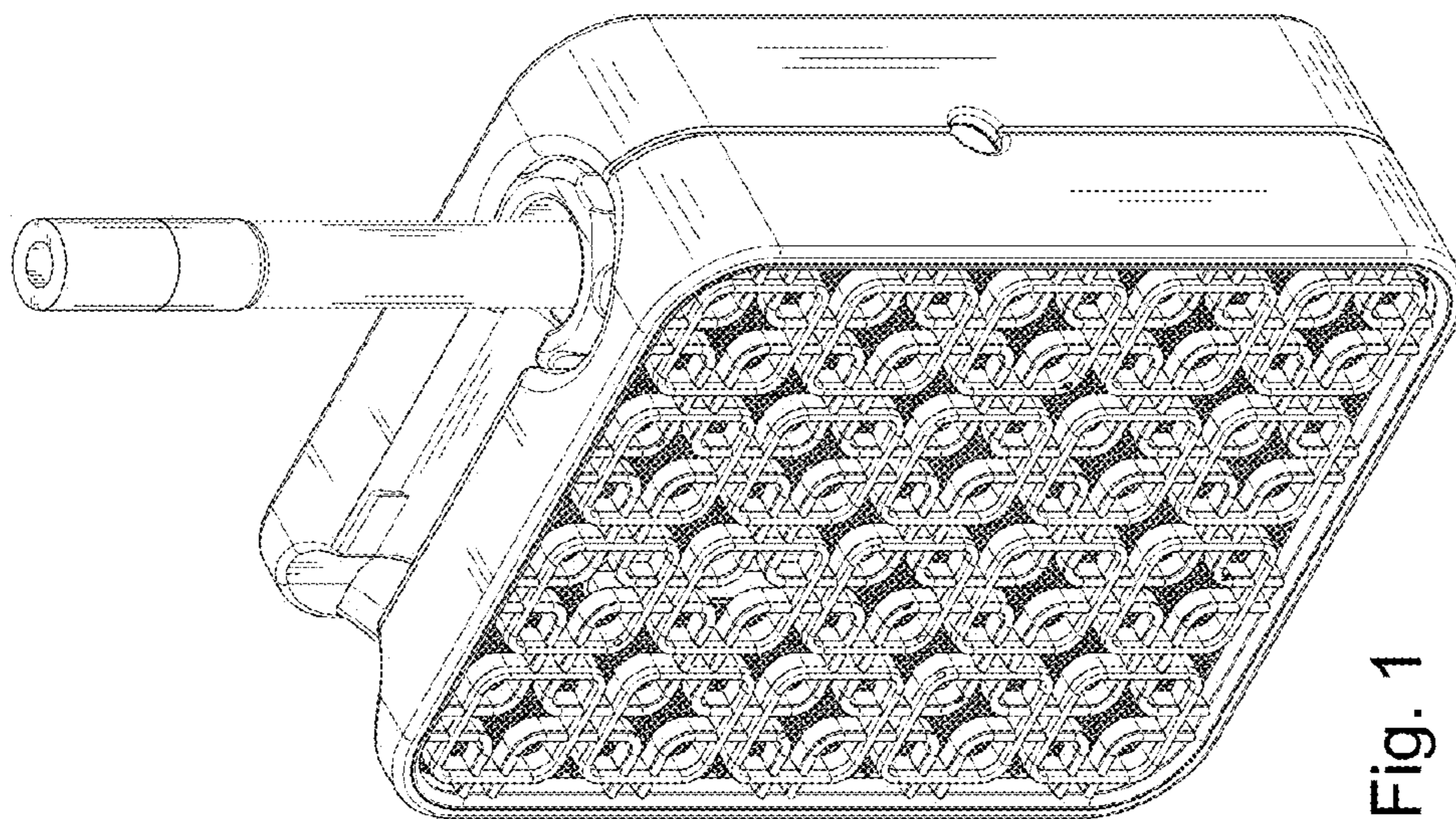


Fig. 1



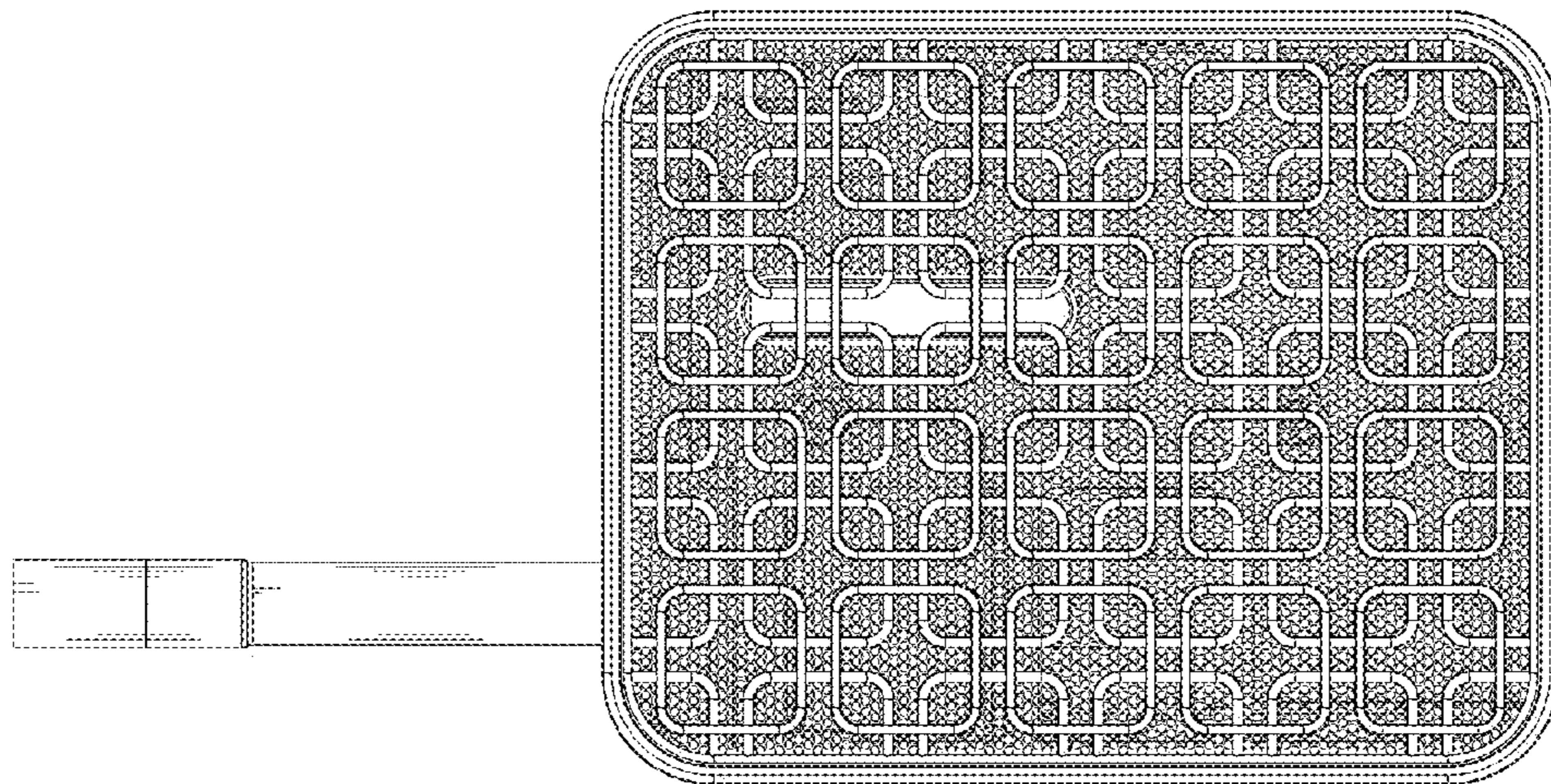


Fig. 4

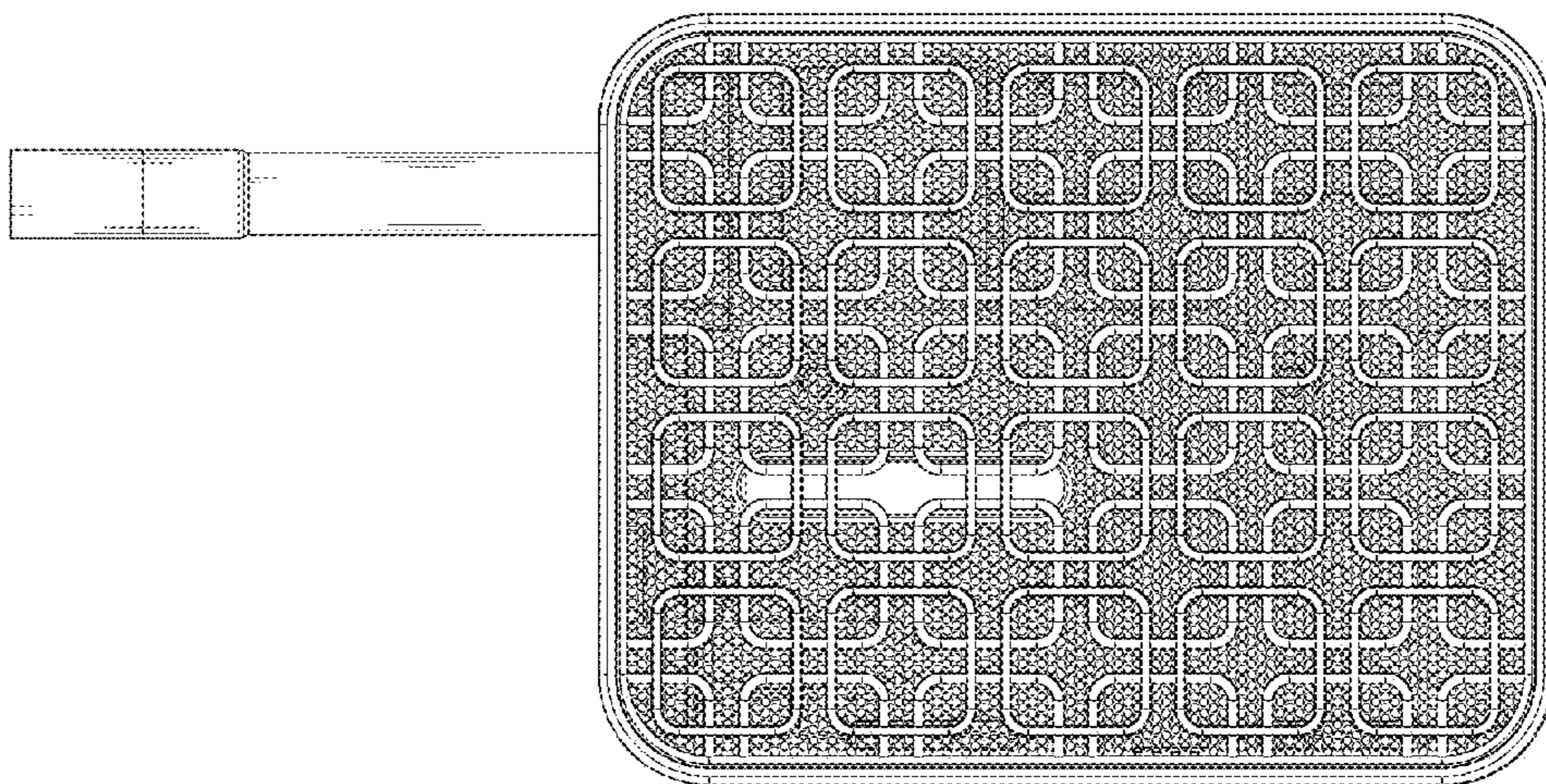


Fig. 3

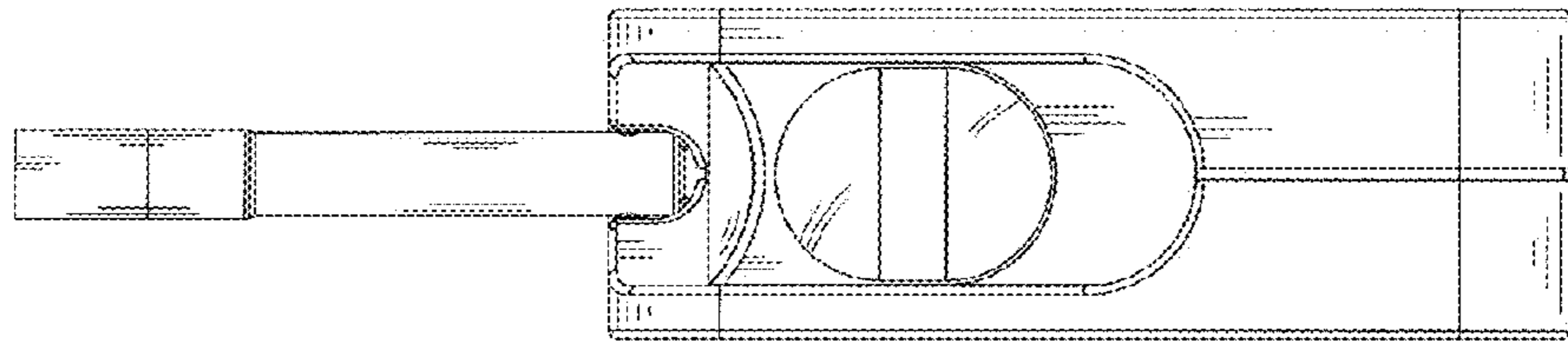


Fig. 7



Fig. 6

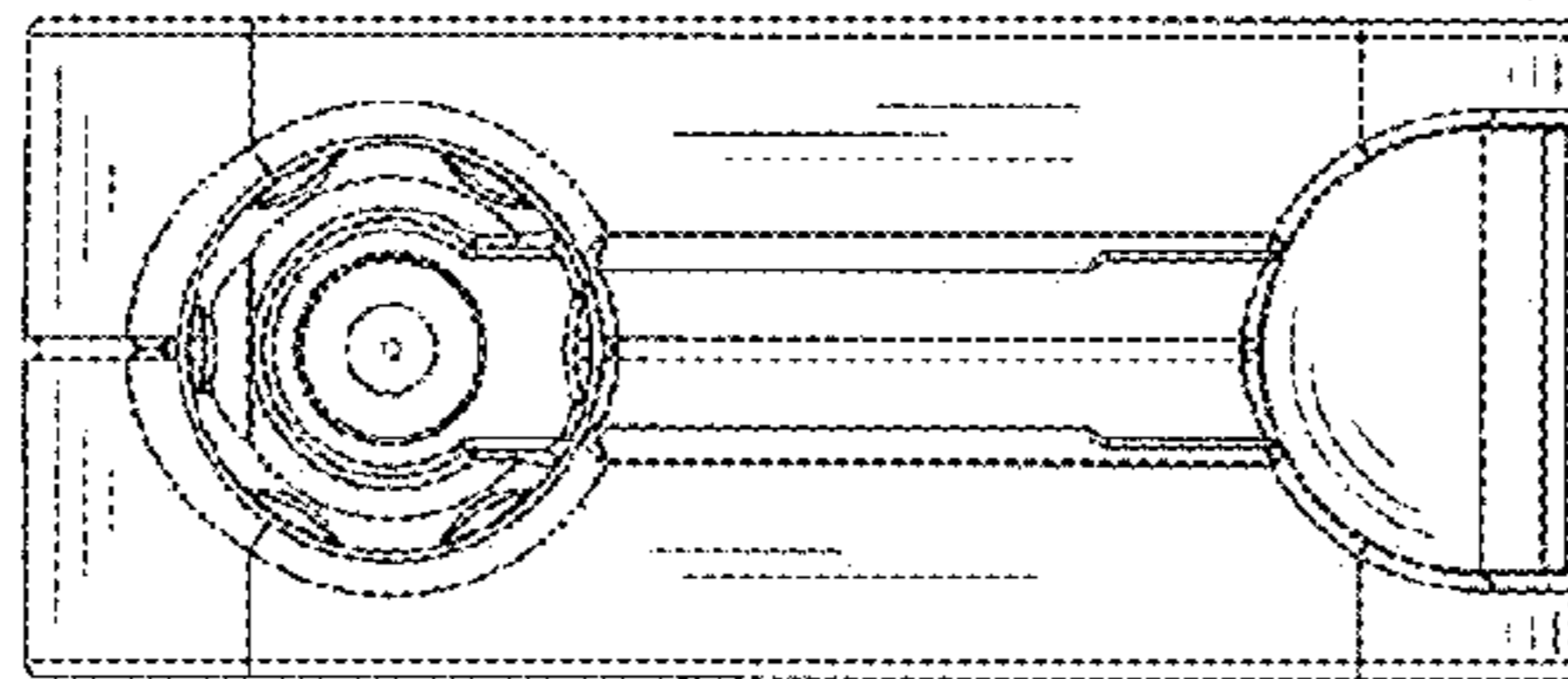


Fig. 5



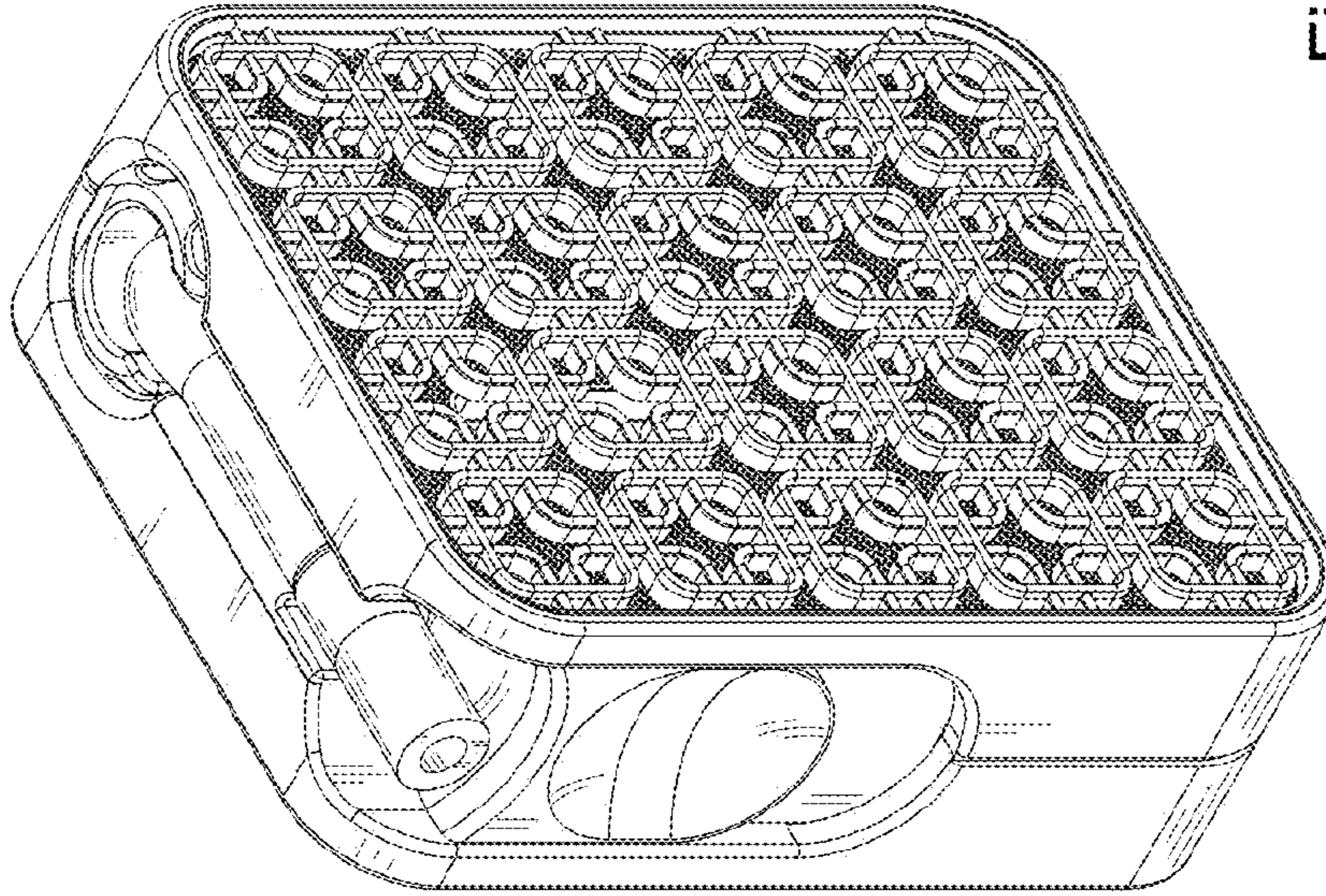


Fig. 9

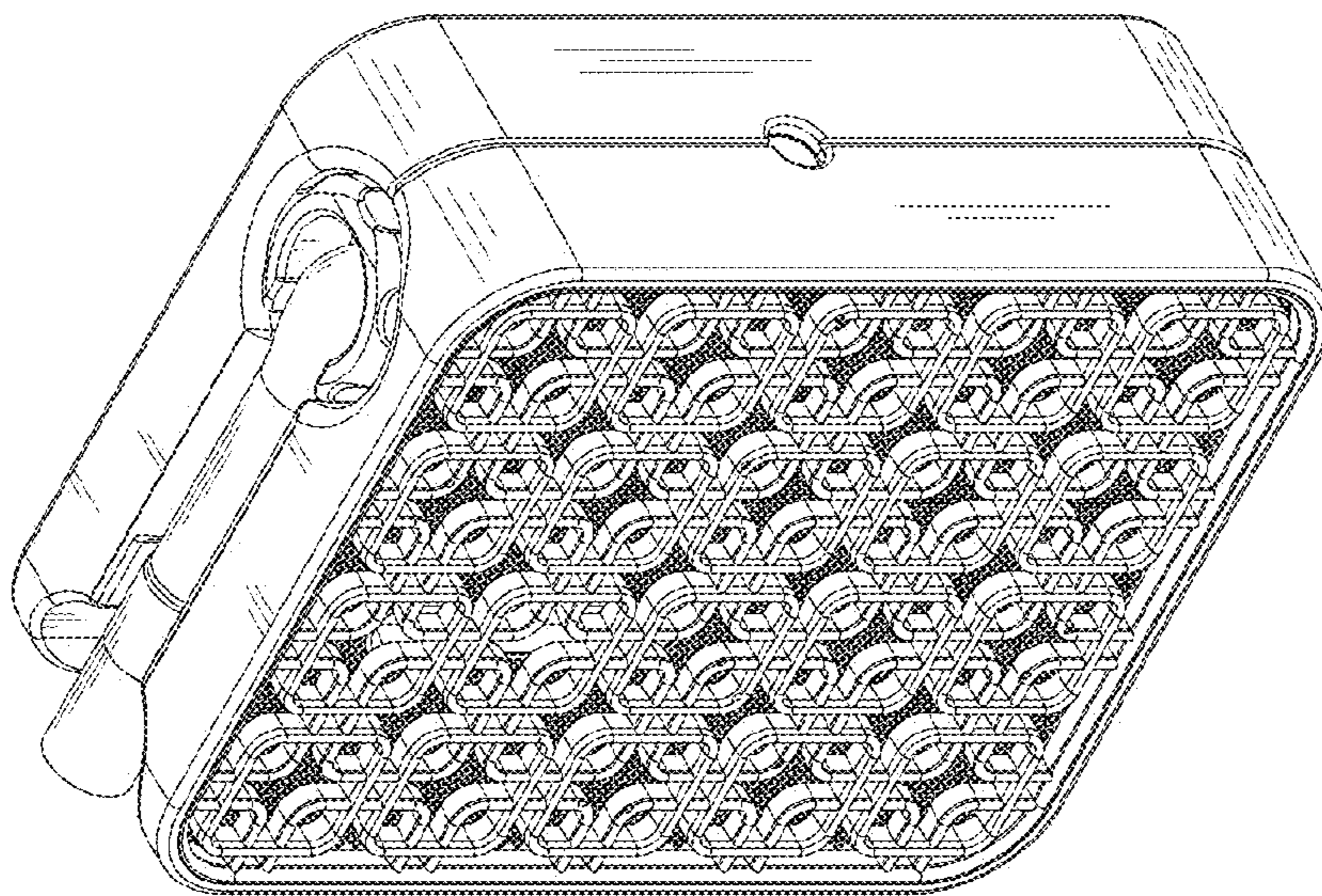


Fig. 8



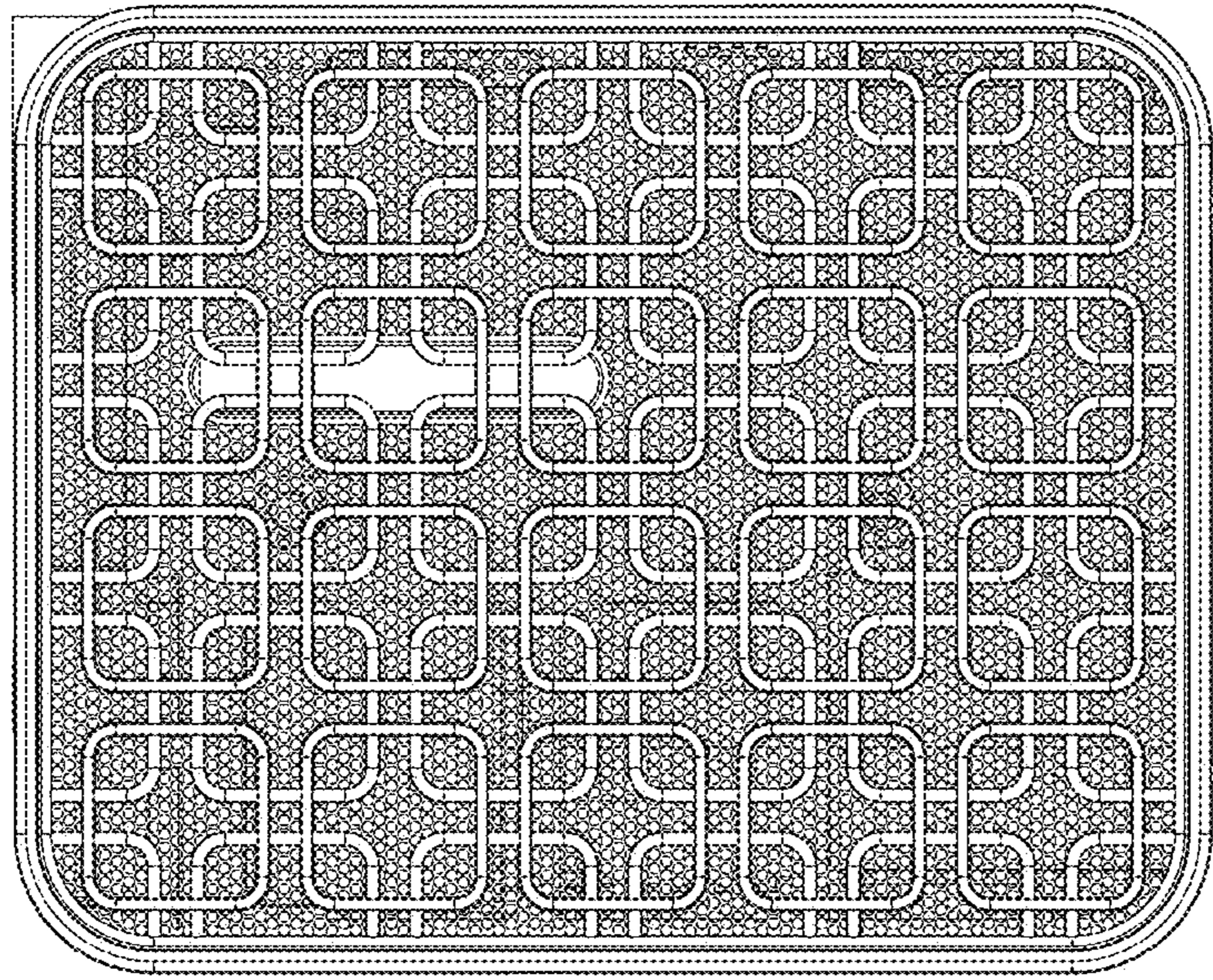


Fig. 11

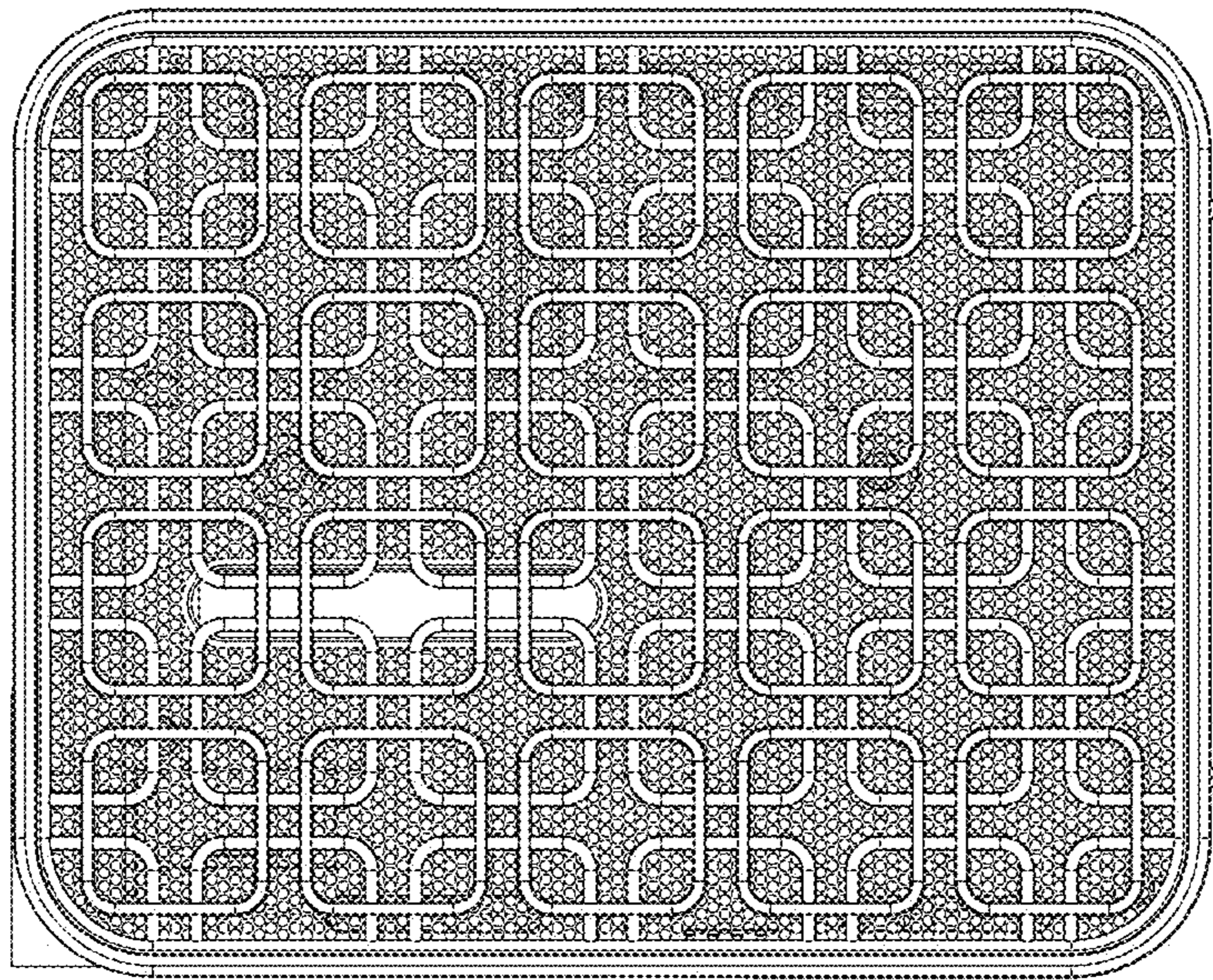


Fig. 10



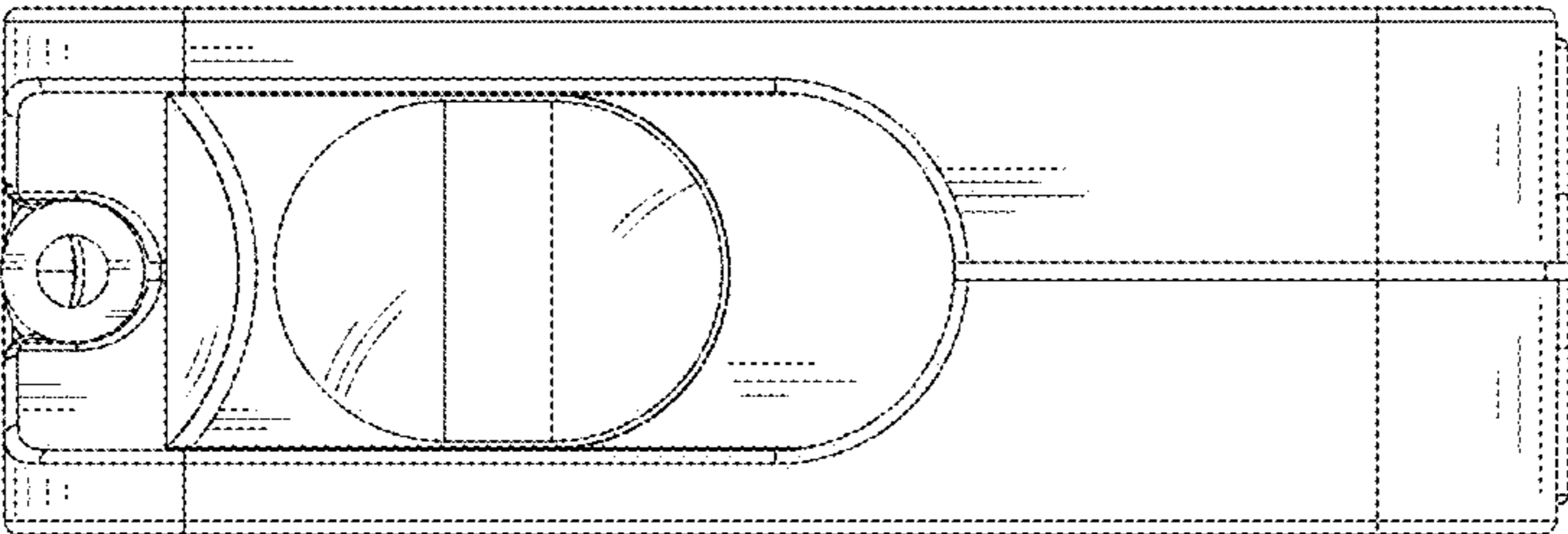


Fig. 13

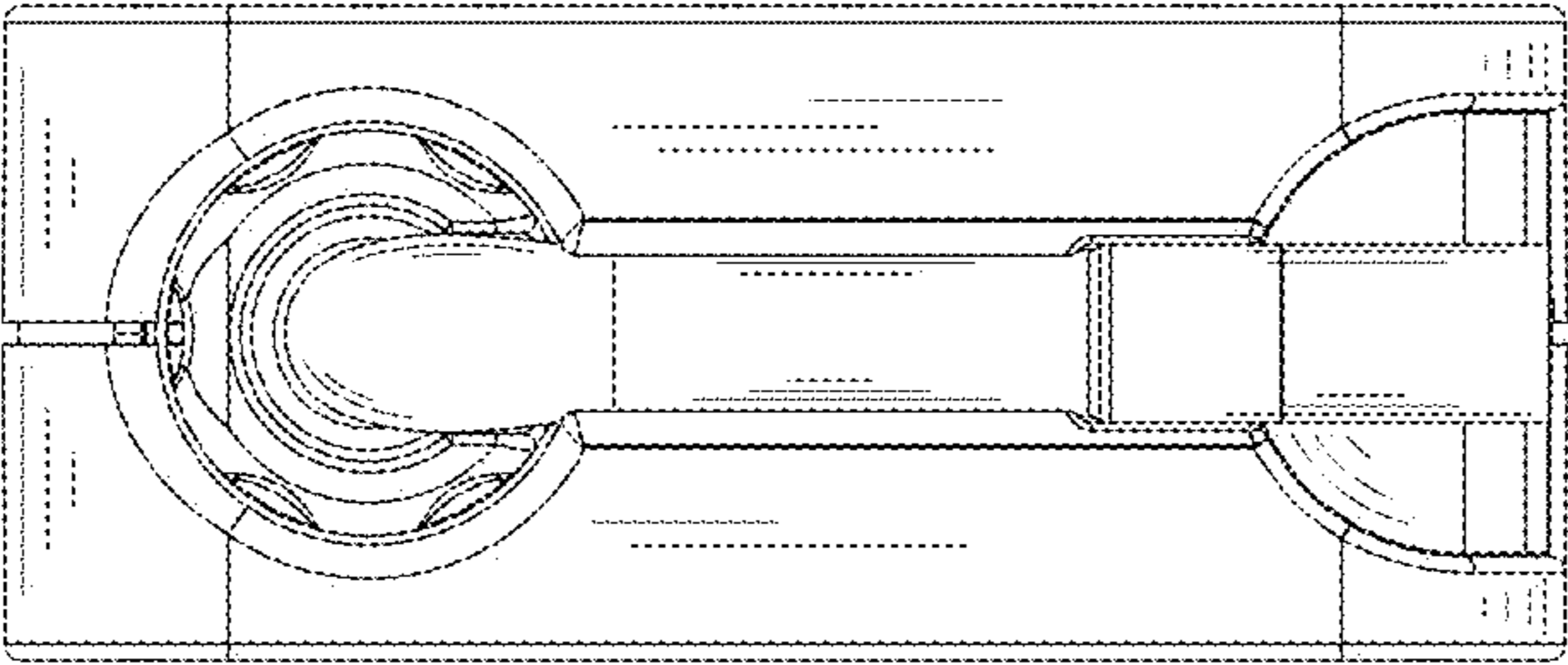


Fig. 12



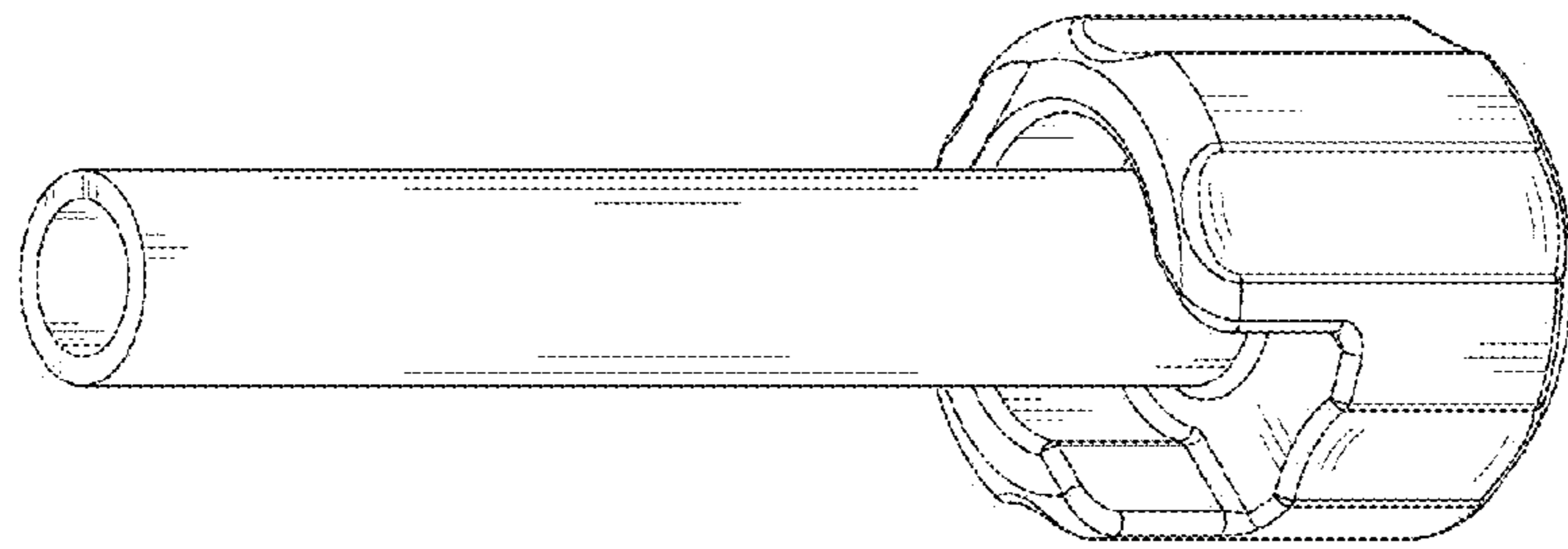


Fig. 14

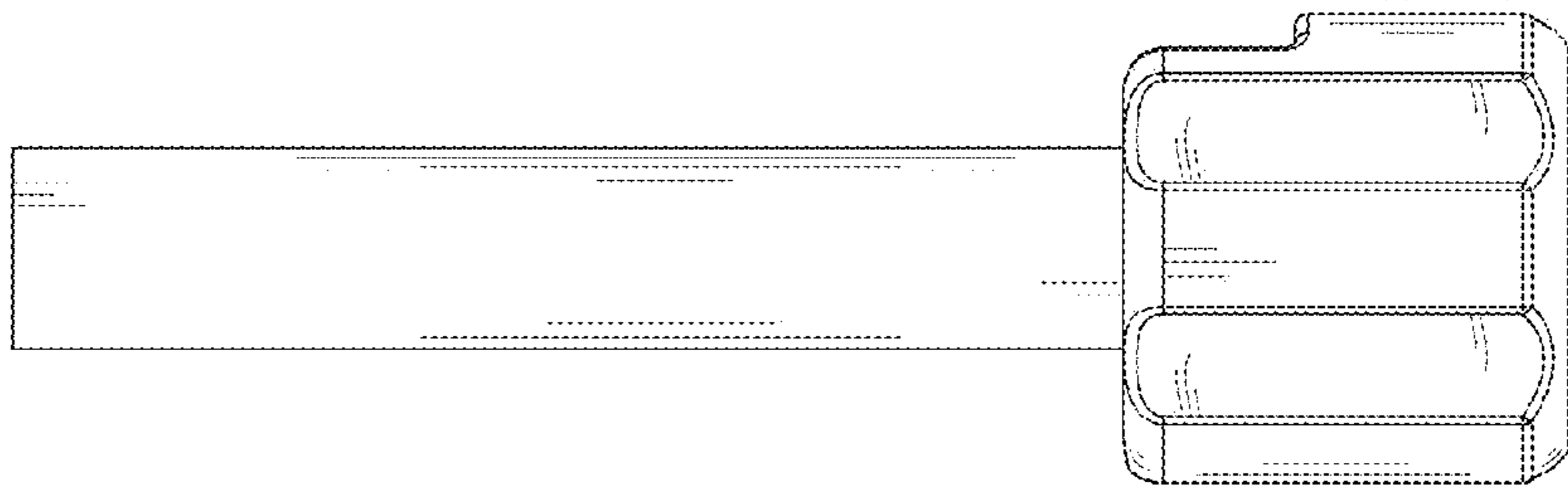


Fig. 15

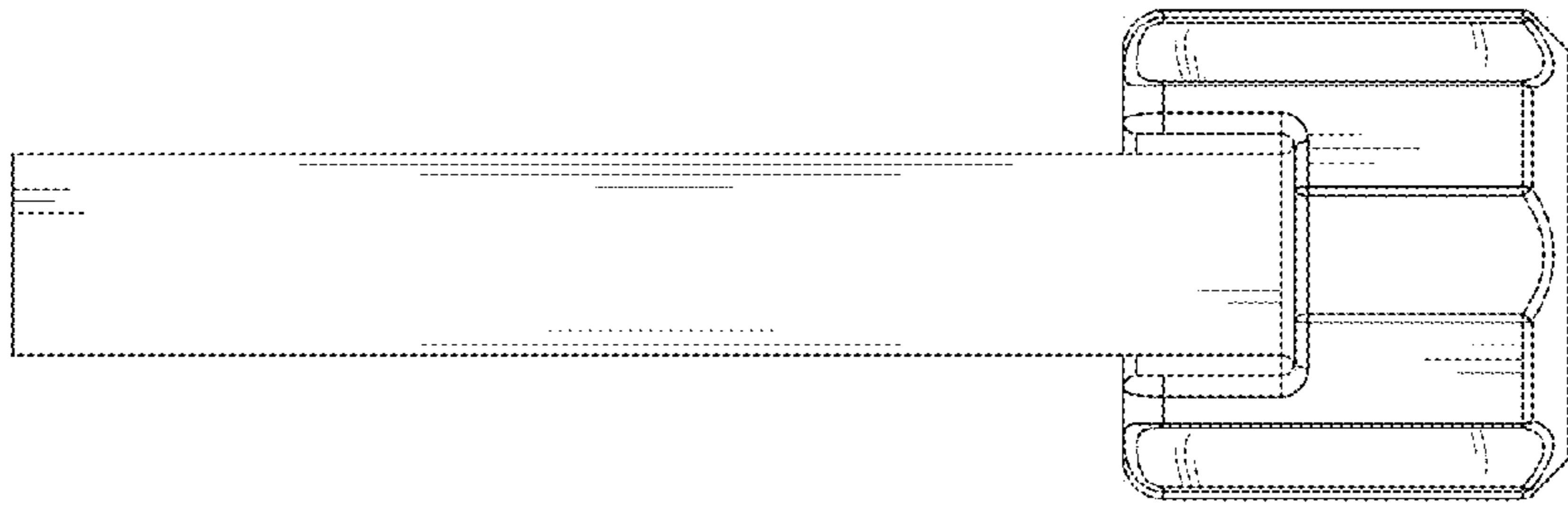


Fig. 16

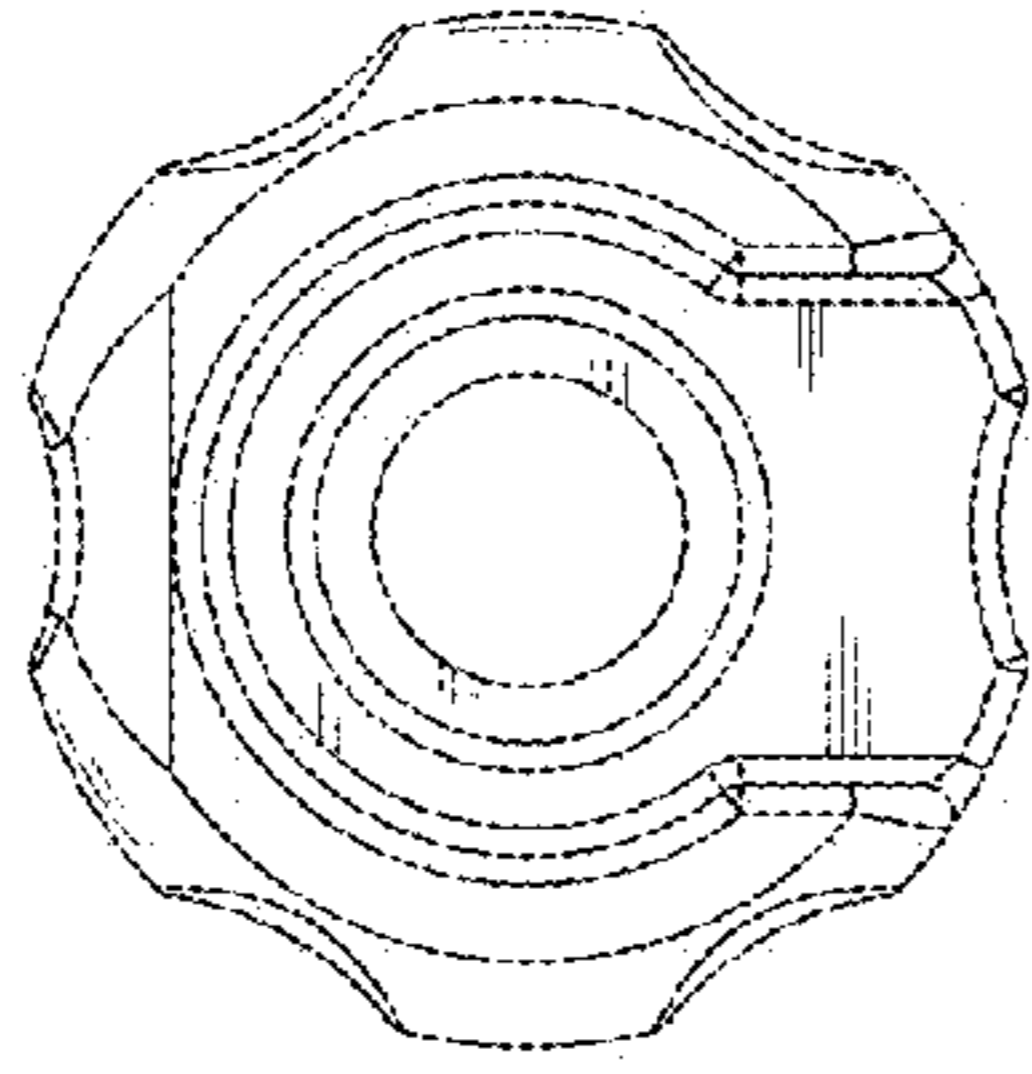


Fig. 17



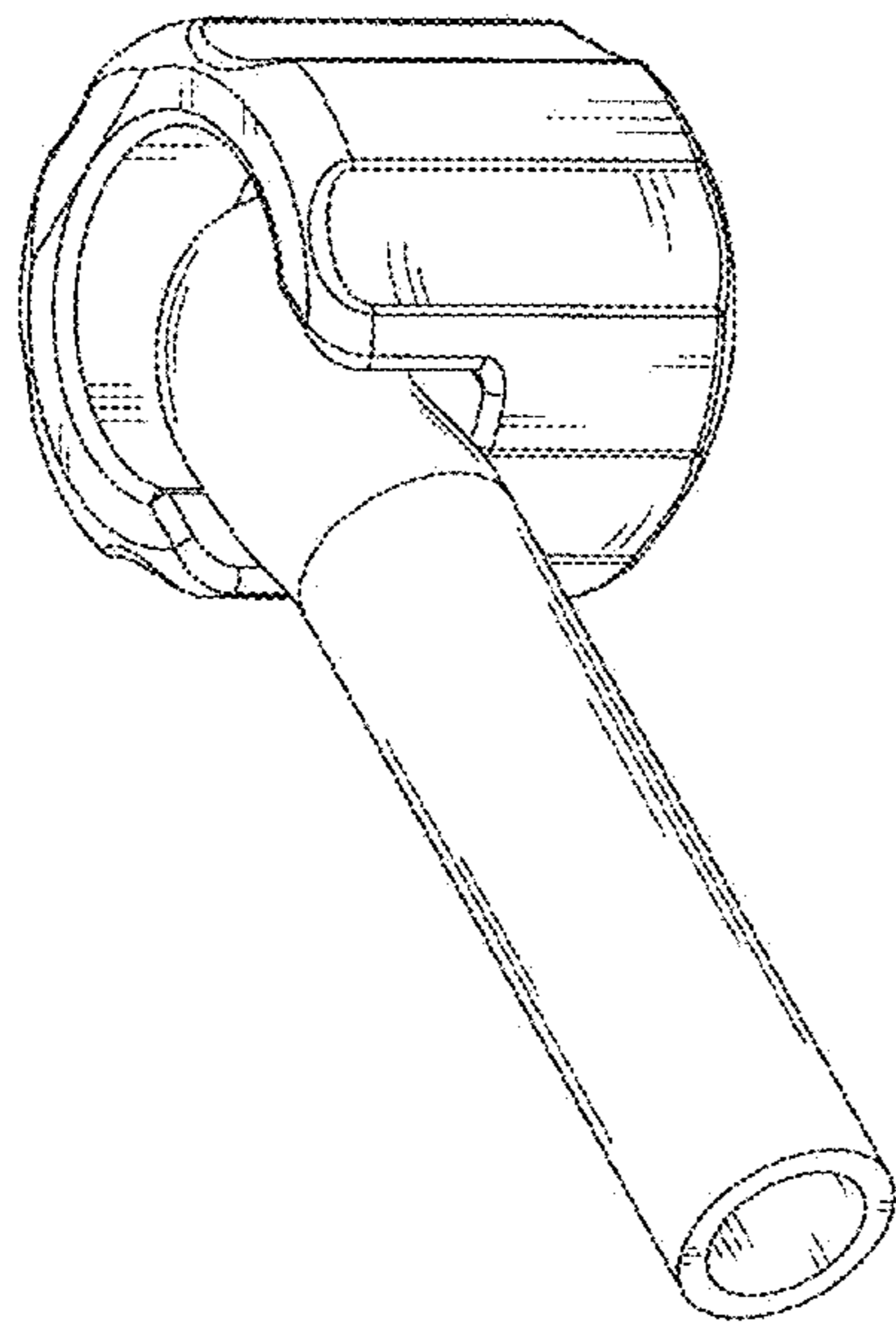


Fig. 19

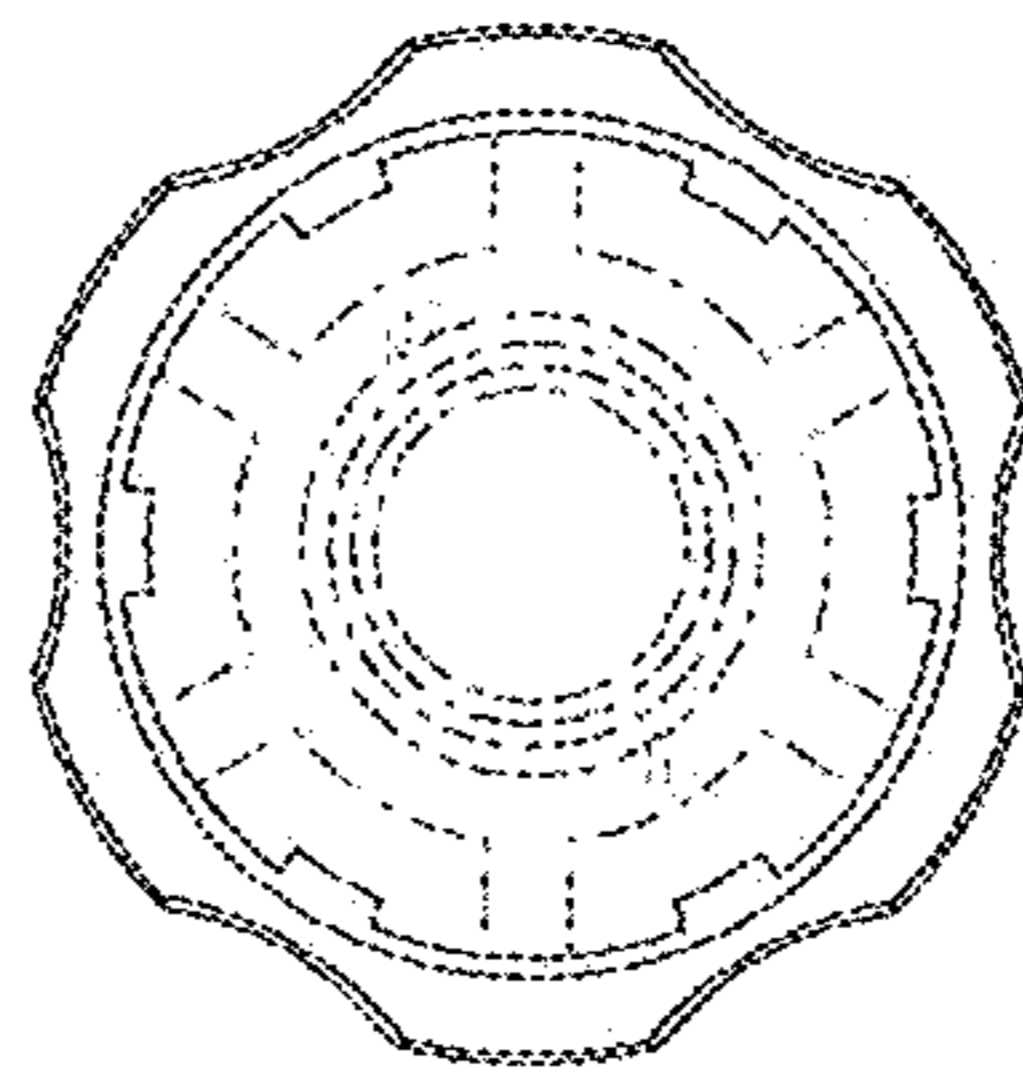


Fig. 18

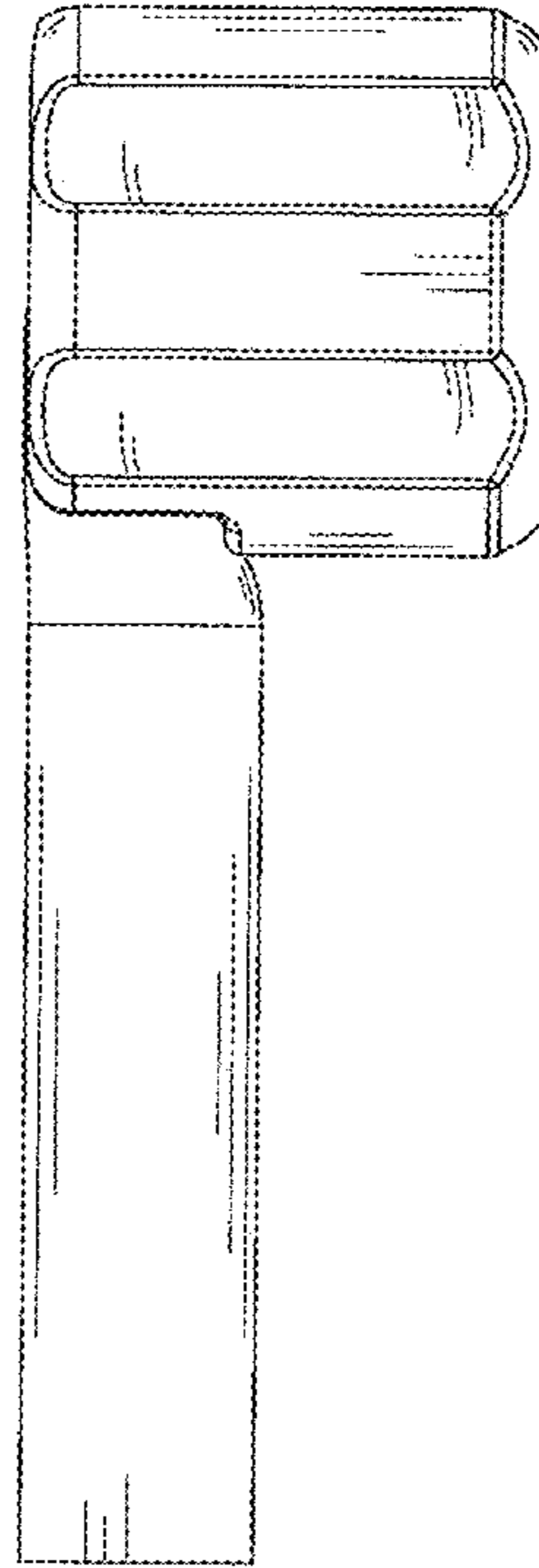


Fig. 20



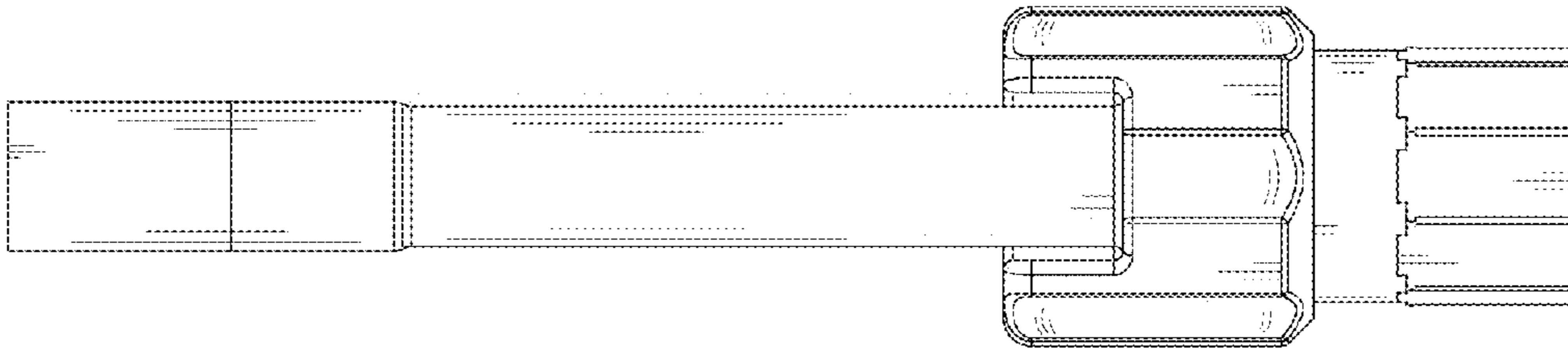


Fig. 23

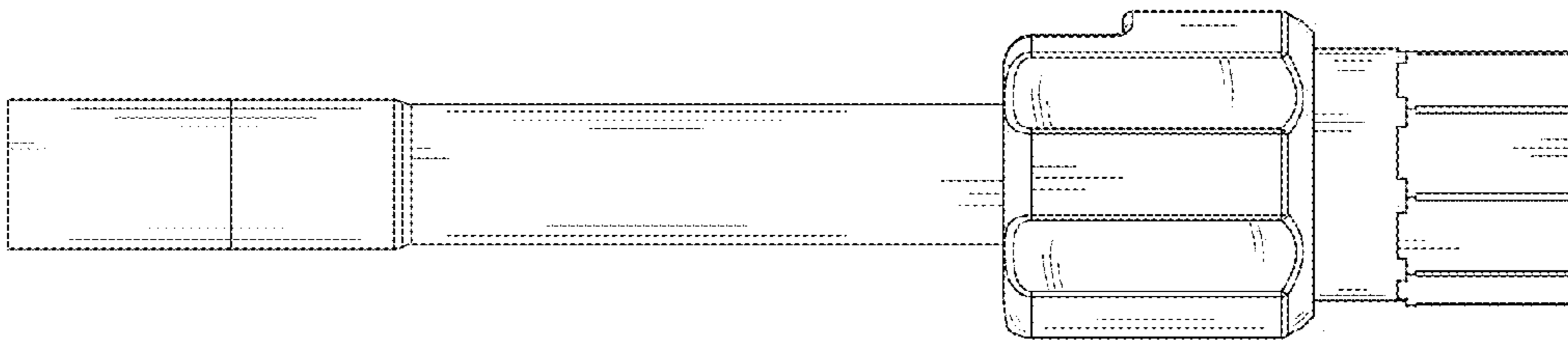


Fig. 22

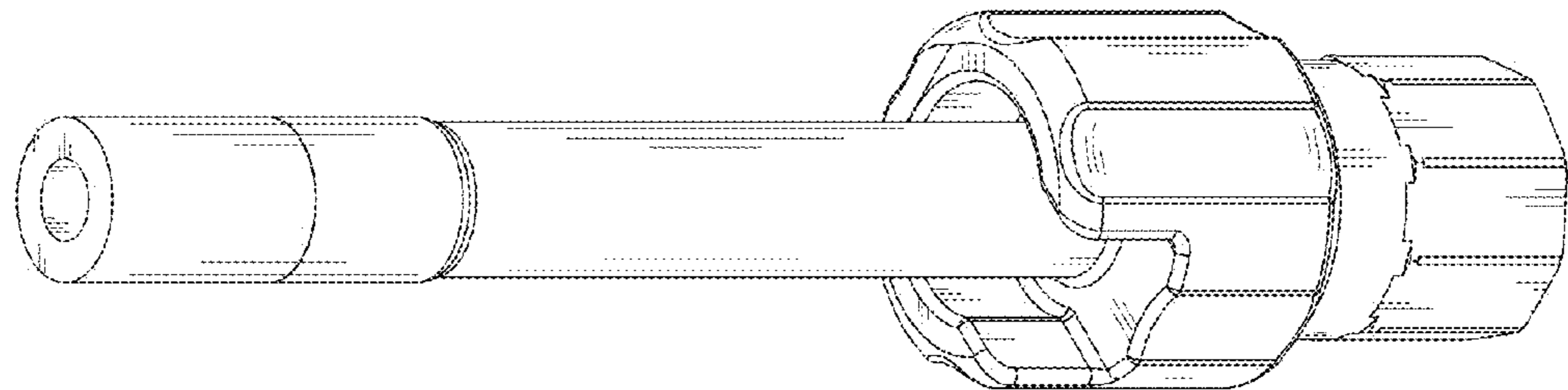


Fig. 21



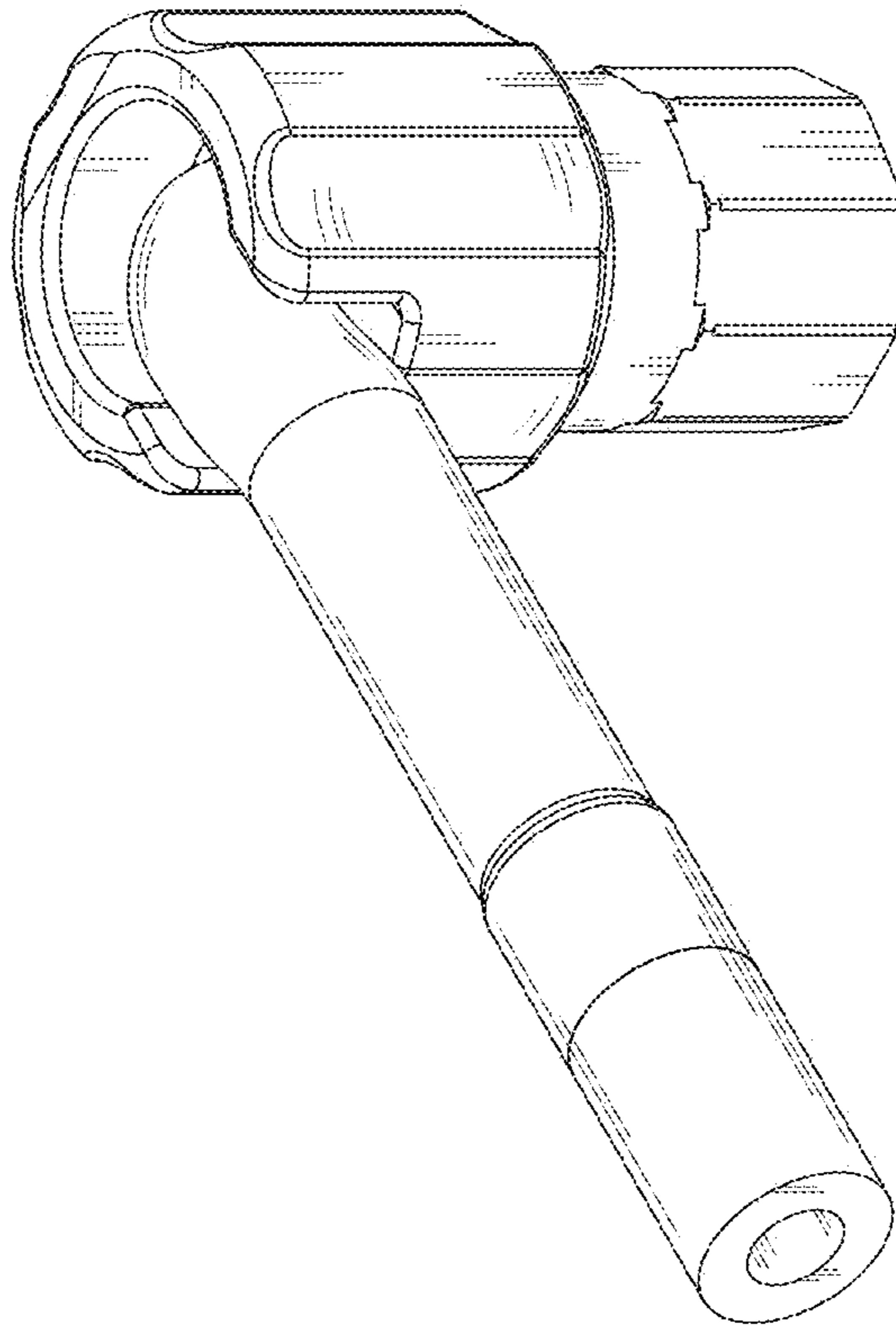


Fig. 25

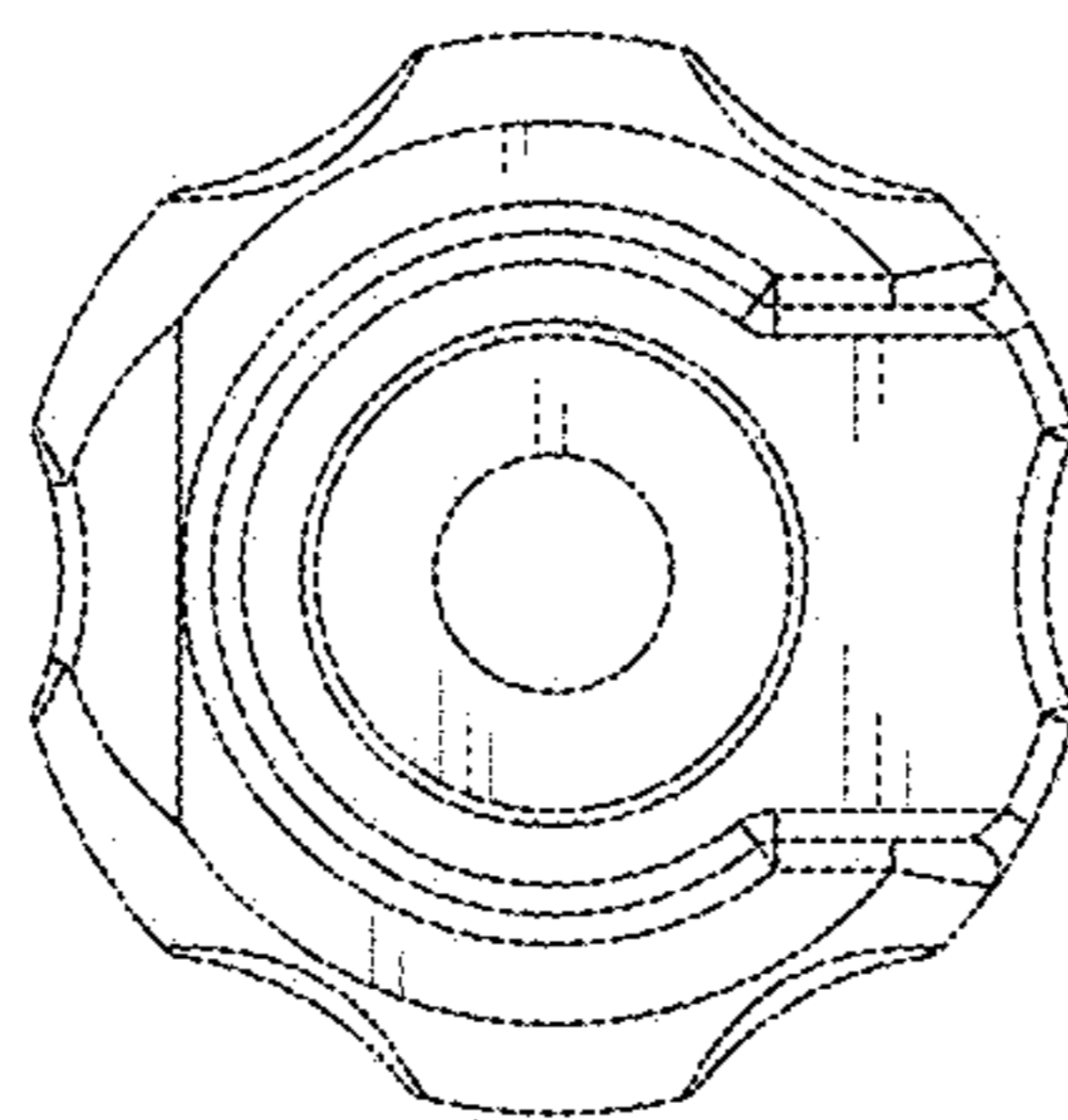


Fig. 24