



US00D690001S

(12) **United States Design Patent**
McNulty

(10) **Patent No.:** **US D690,001 S**

(45) **Date of Patent:** **** Sep. 17, 2013**

(54) **BLOWER UNIT HOUSING**

(75) Inventor: **Timothy Edward McNulty**, Dallas, TX (US)

(73) Assignee: **RM Manifold Group, Inc.**, Dallas, TX (US)

(**) Term: **14 Years**

(21) Appl. No.: **29/385,077**

(22) Filed: **Feb. 8, 2011**

(51) **LOC (9) Cl.** **23-04**

(52) **U.S. Cl.**
USPC **D23/383**

(58) **Field of Classification Search**
USPC D23/381–383, 370–377, 385–388,
D23/393, 394, 399, 411; 454/237–253, 186,
454/228–236; 52/302.1; 417/423.1, 423.14;
415/182.1, 200

See application file for complete search history.

(56) **References Cited**

U.S. PATENT DOCUMENTS

D28,237 S *	2/1898	Woodside	D23/374
D308,417 S *	6/1990	Belanger et al.	D23/383
D335,532 S *	5/1993	Lopez	D23/383
D537,517 S *	2/2007	Hancock	D23/383
D555,235 S *	11/2007	Korkowski et al.	D23/356
D571,449 S *	6/2008	Lin	D23/383

* cited by examiner

Primary Examiner — Susan Bennett Hattan

Assistant Examiner — Janice Hallmark

(74) *Attorney, Agent, or Firm* — Lathrop & Gage LLP

(57) **CLAIM**

The ornamental design for a blower unit housing, as shown and described.

DESCRIPTION

FIG. 1 is a perspective view of a blower unit housing showing the new design, in use with exemplary ducting and motor.

FIG. 2 is another perspective view of the blower unit housing of FIG. 1.

FIG. 3 is a top view of the blower unit housing of FIG. 1.

FIG. 4 is a side view of the blower unit housing of FIG. 1.

FIG. 5 is an opposite side view of the blower unit housing of FIG. 1.

FIG. 6 is a bottom view of the blower unit housing of FIG. 1.

FIG. 7 is an end view of the blower unit housing of FIG. 1; and,

FIG. 8 is an opposite end view of the blower unit housing of FIG. 1.

The broken lines in the drawing depict environmental subject matter only and form no part of the claimed design.

1 Claim, 4 Drawing Sheets

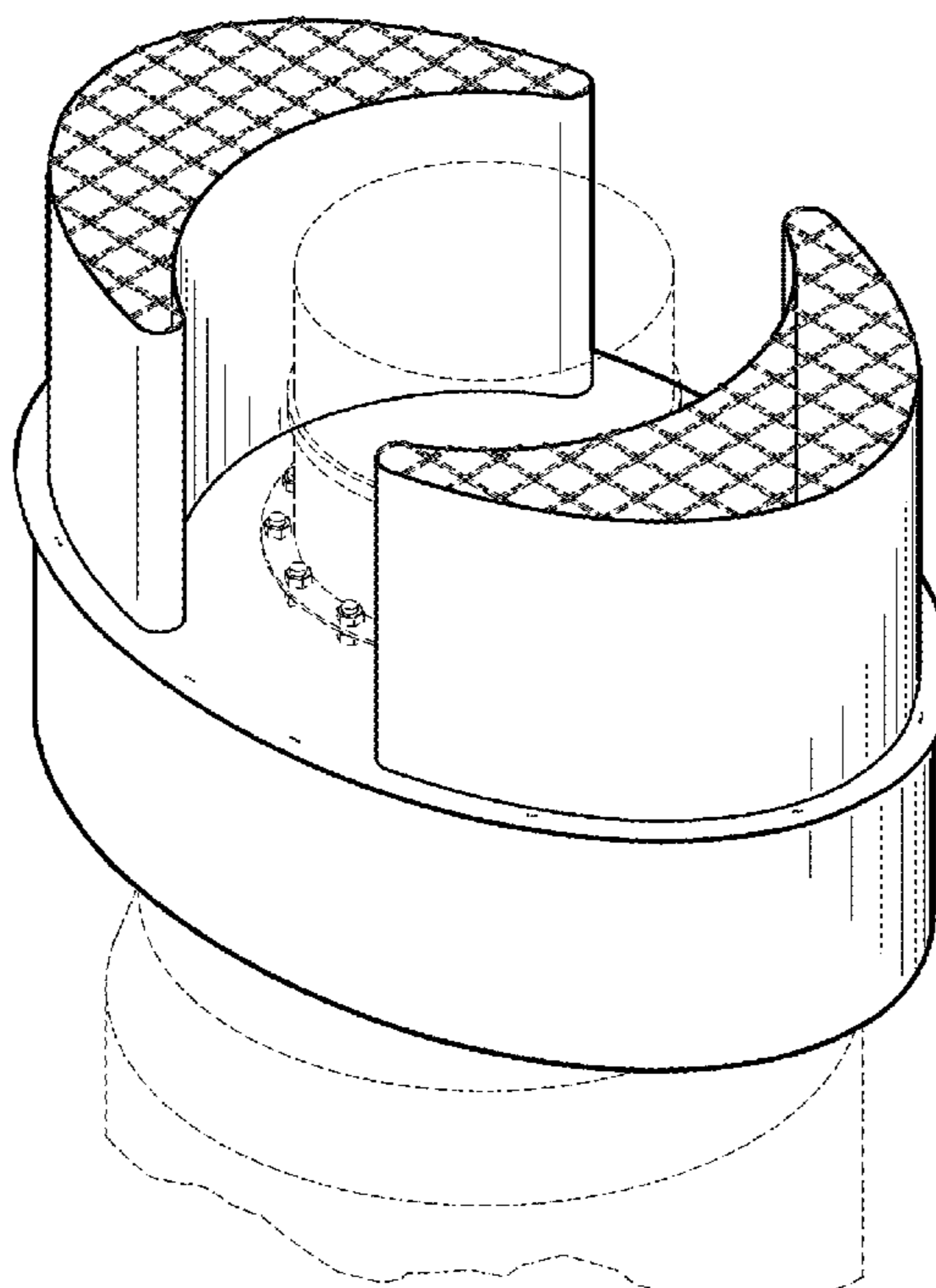


Fig. 1

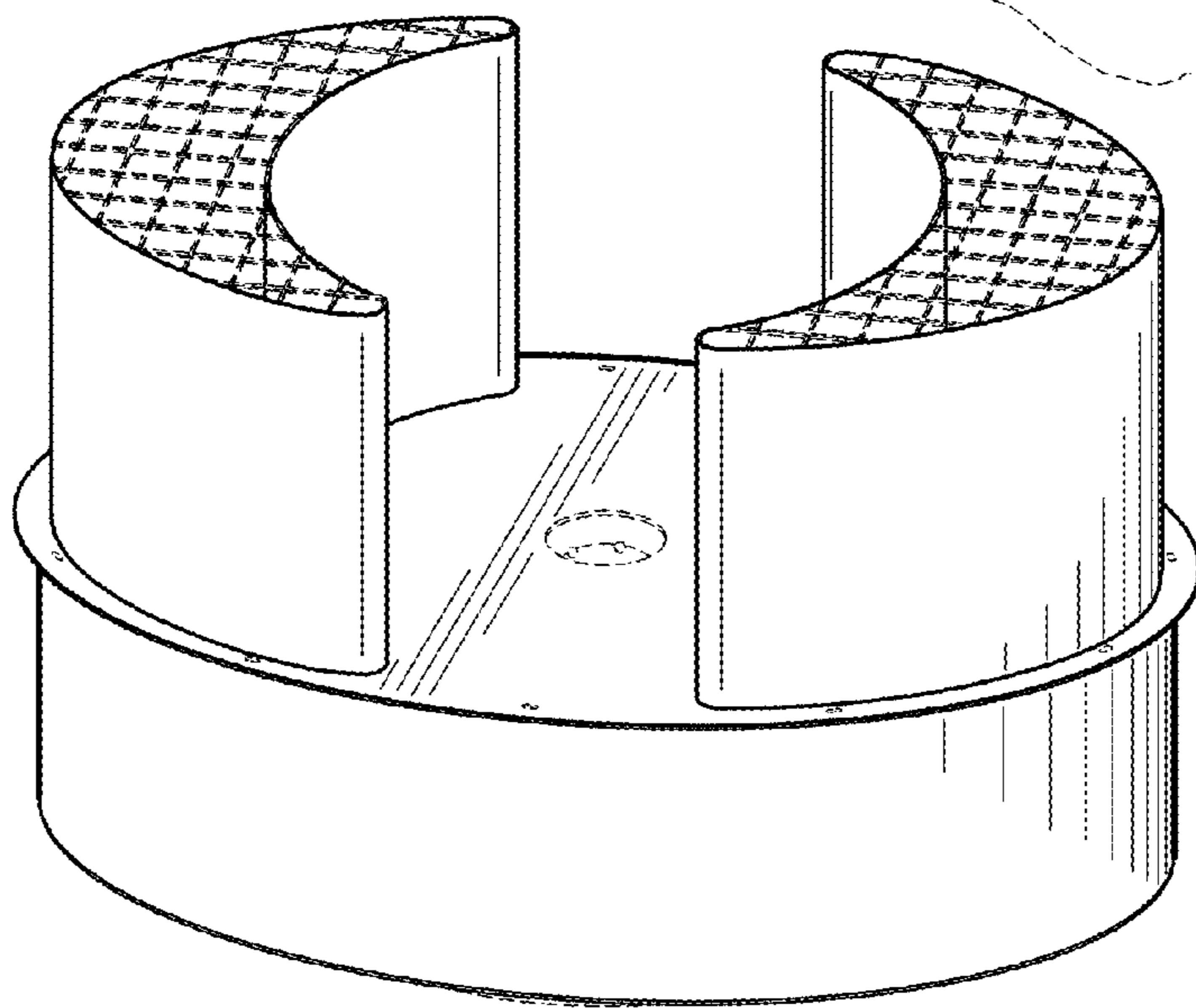
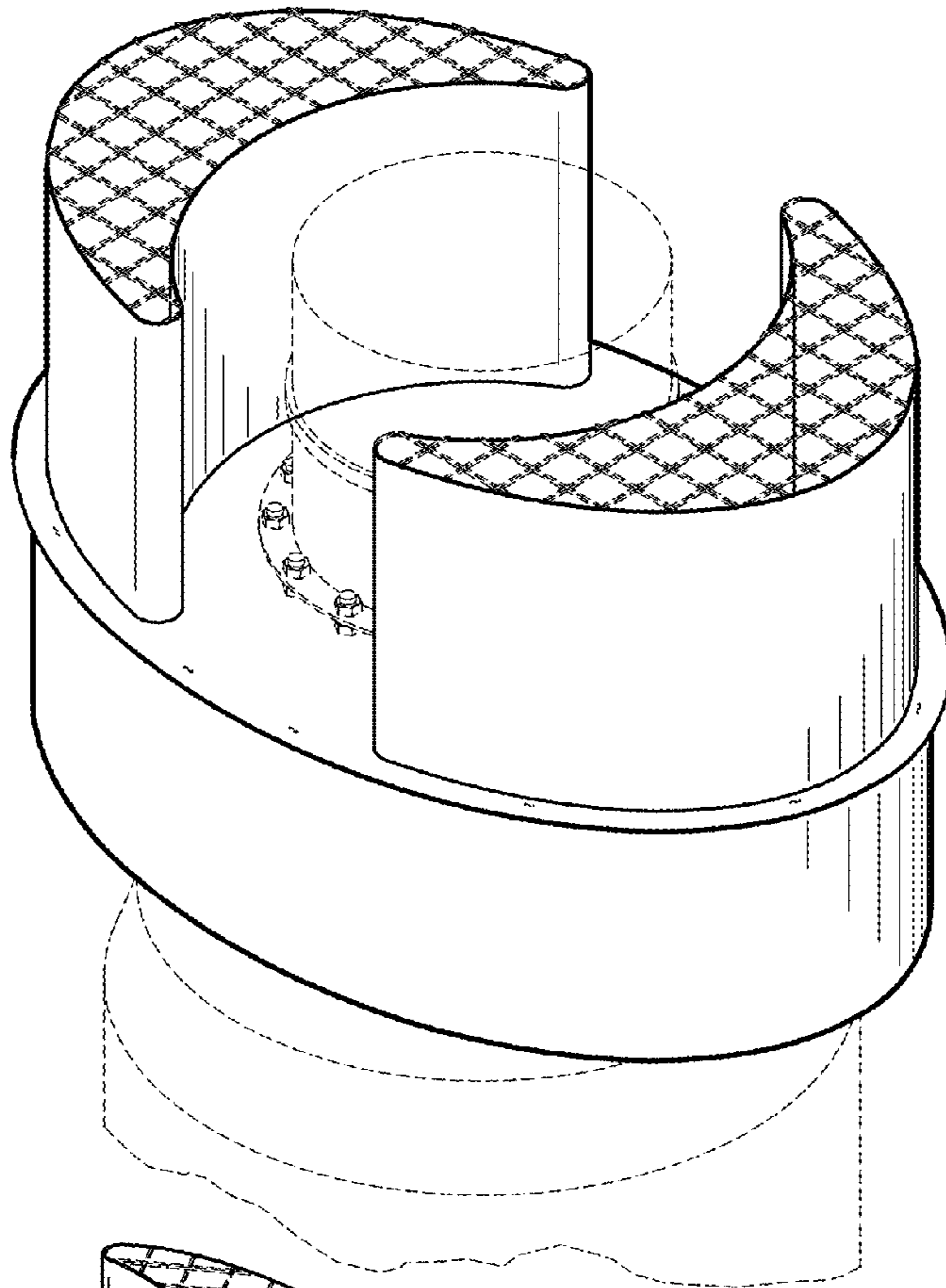


Fig. 2

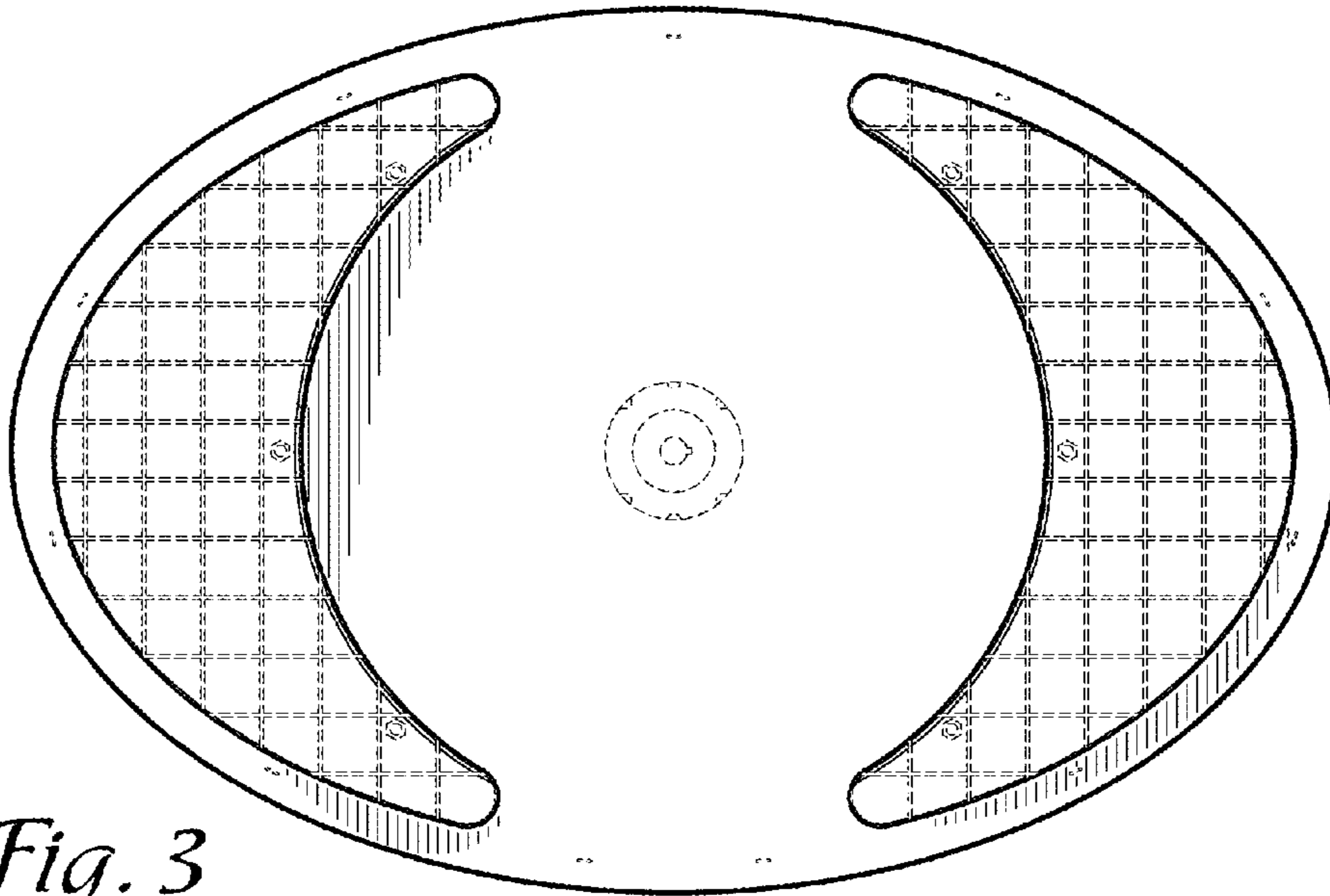


Fig. 3

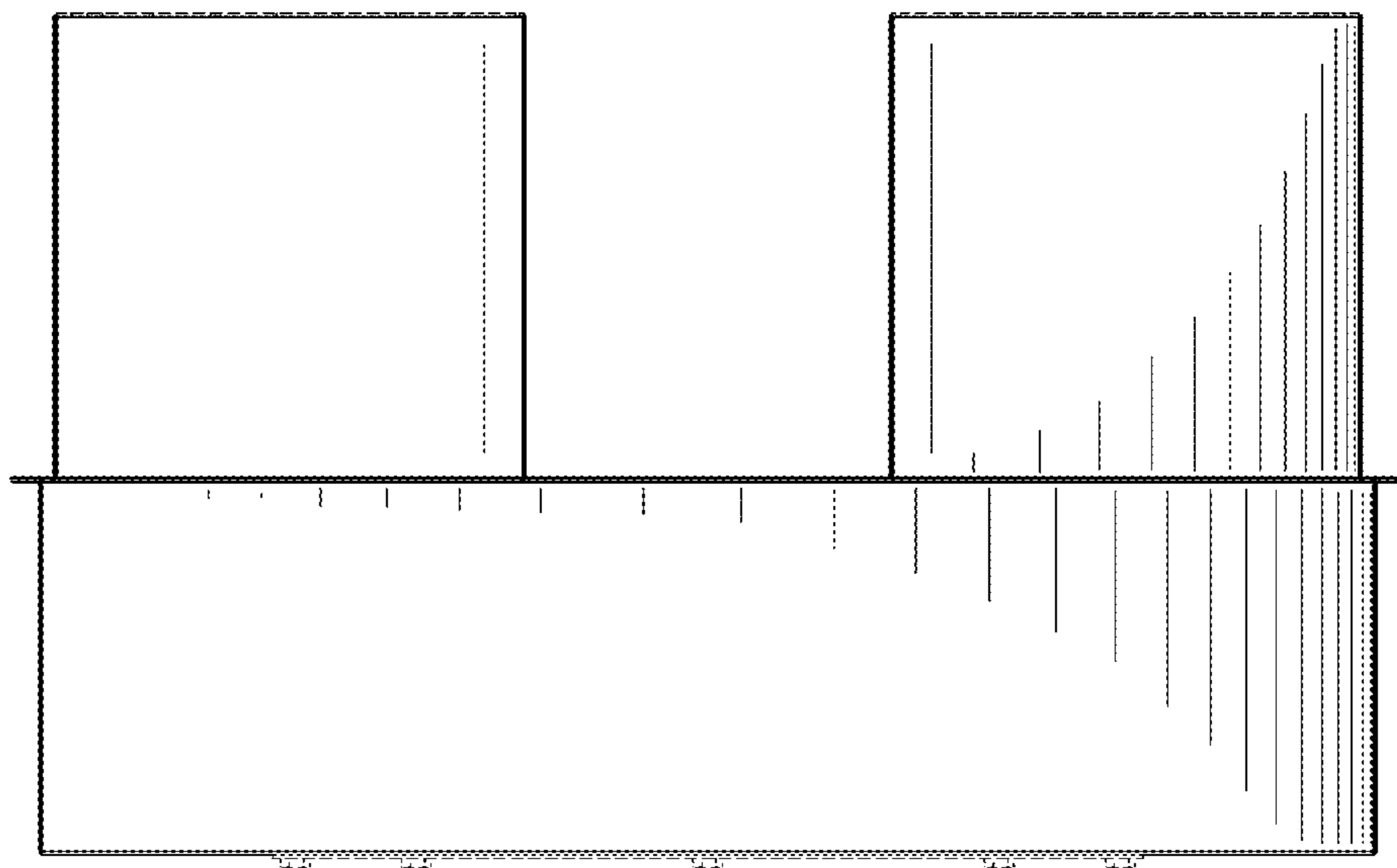


Fig. 4

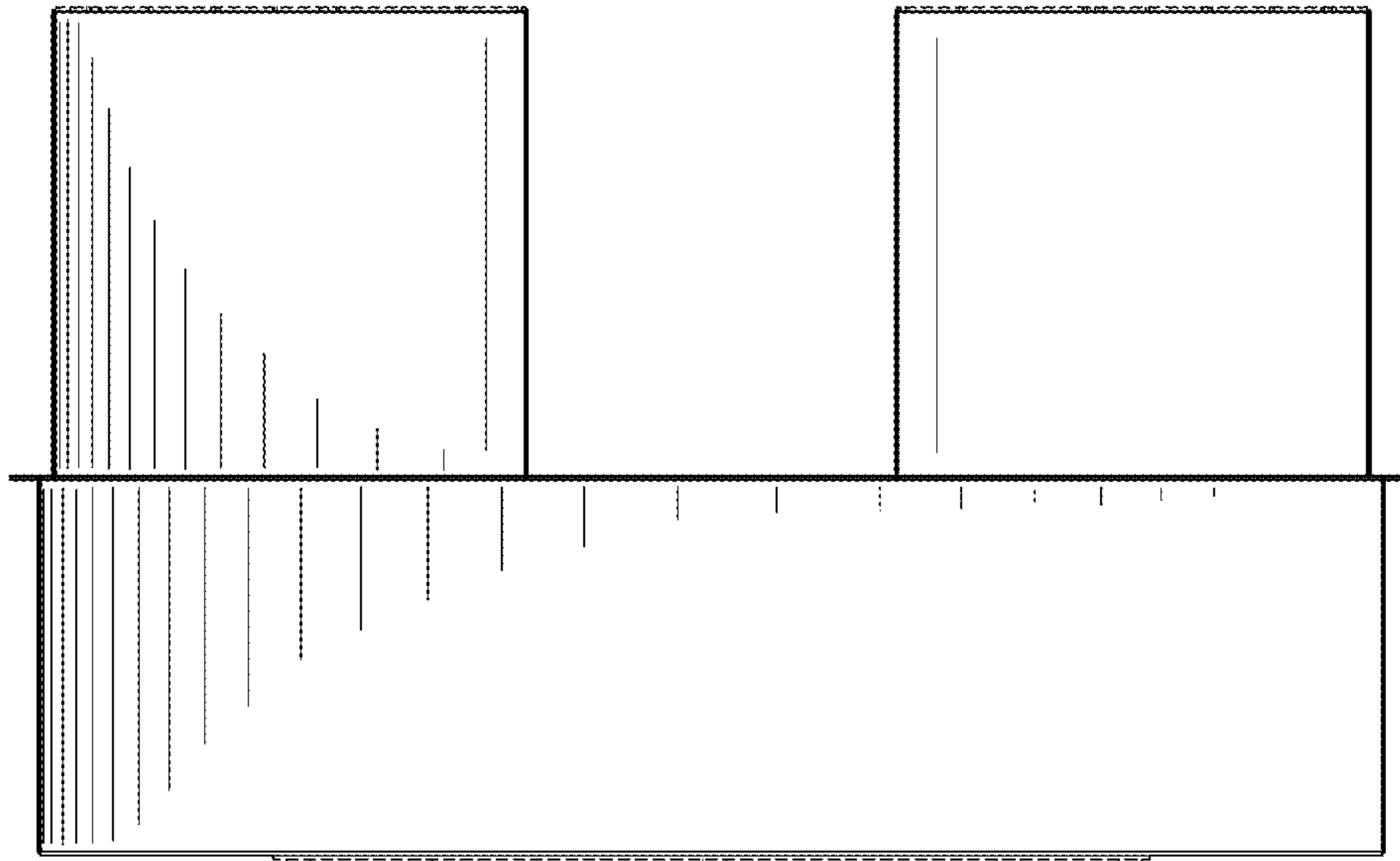


Fig. 5

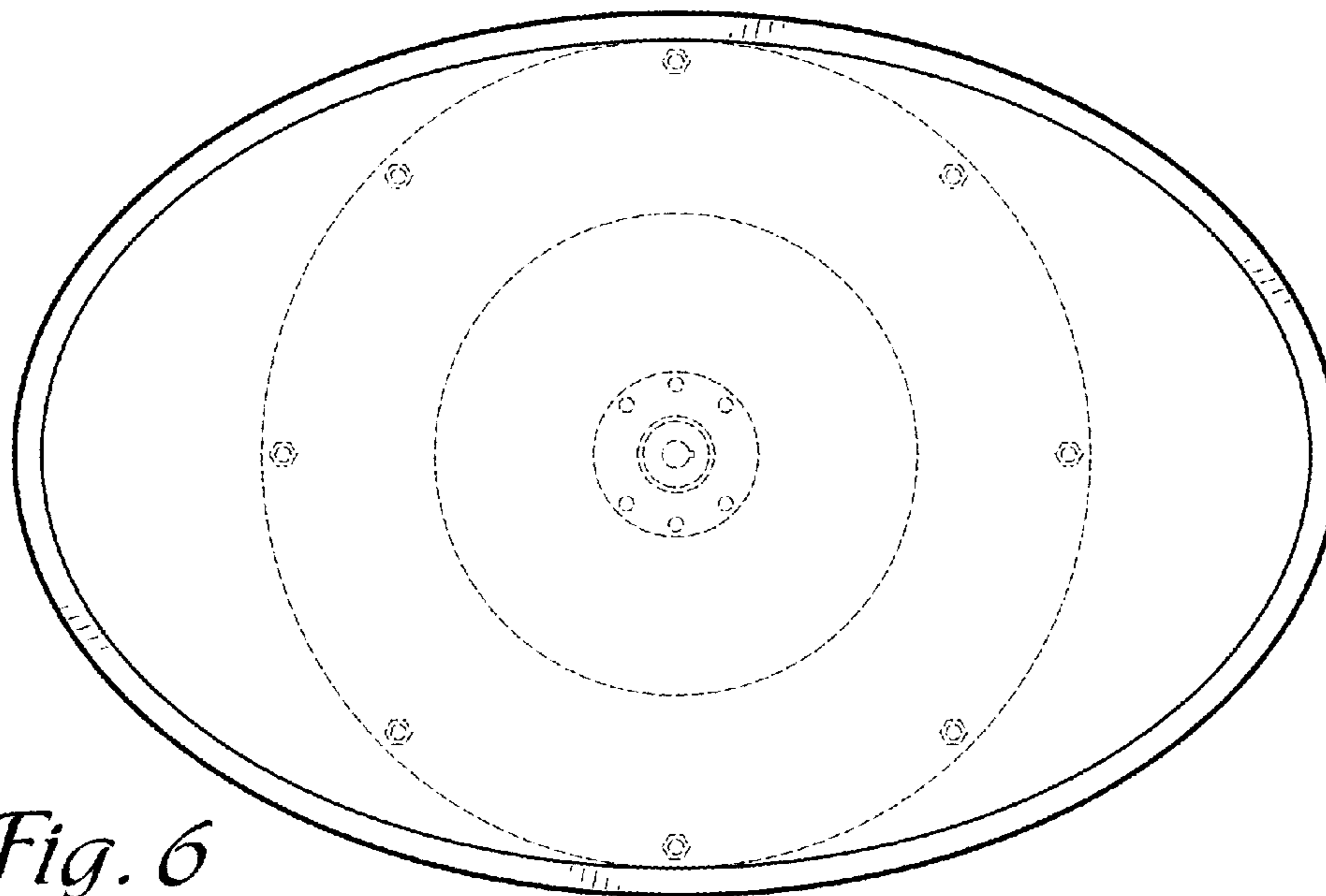


Fig. 6

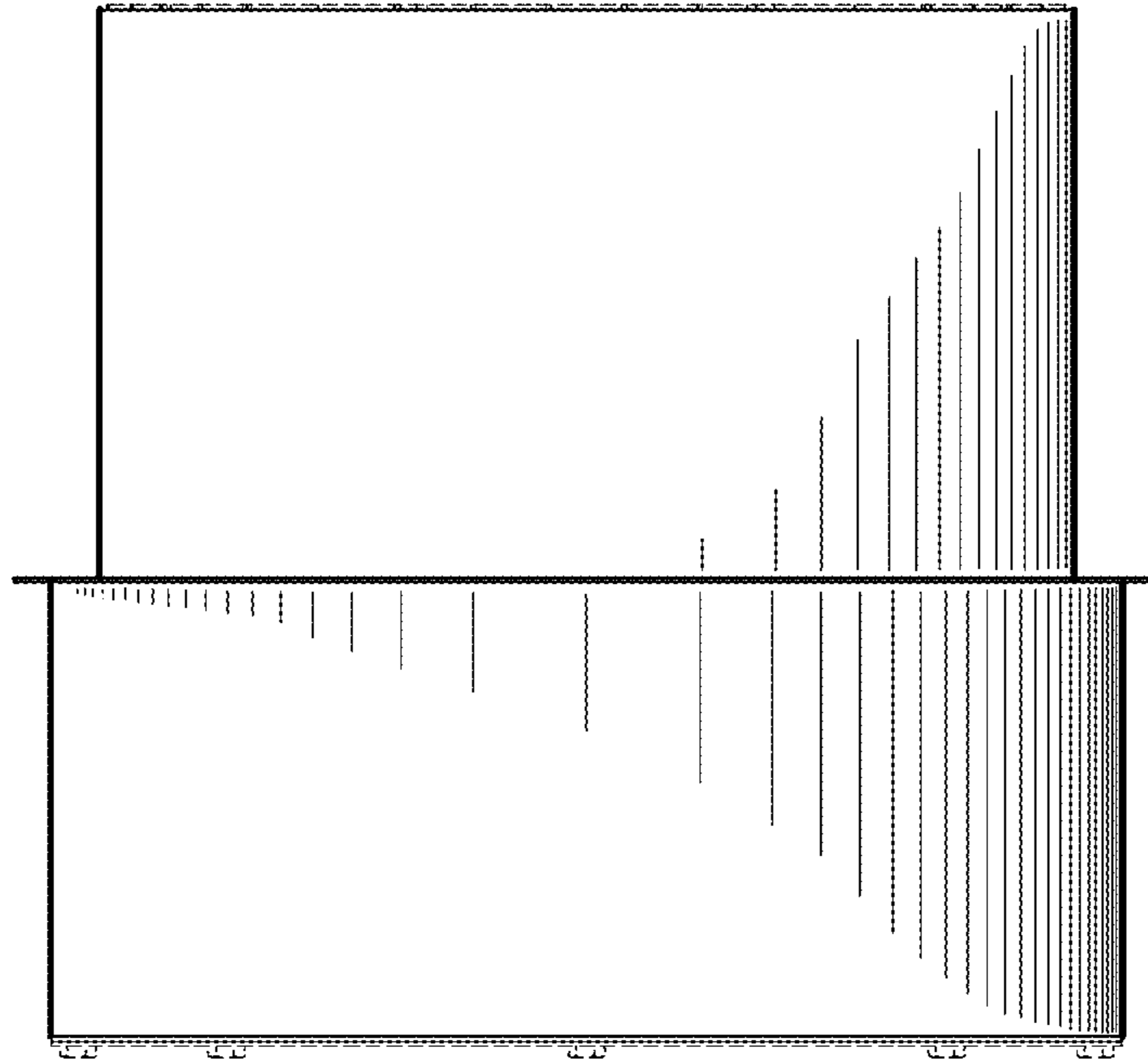


Fig. 7

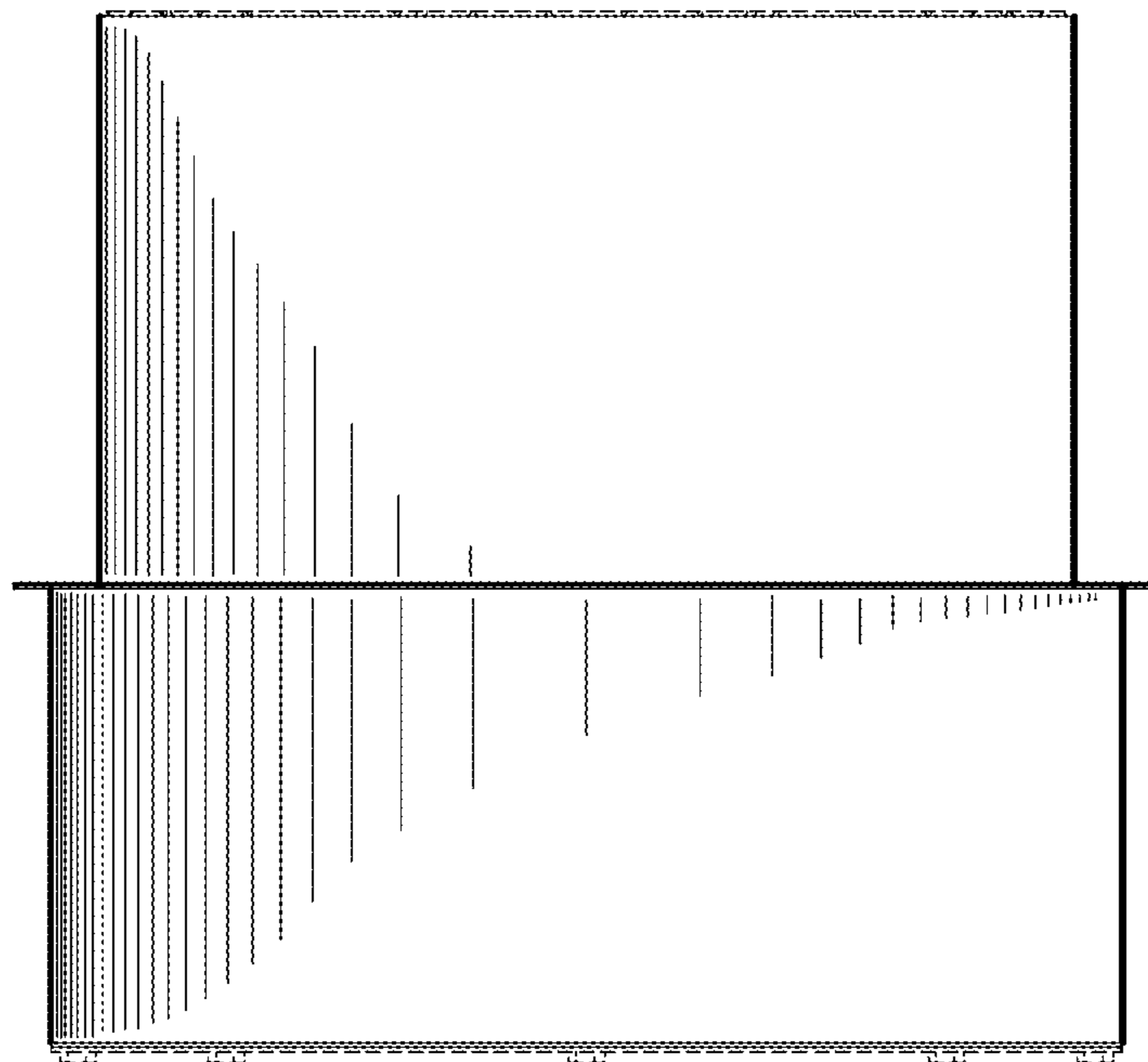


Fig. 8