



US00D689995S

(12) **United States Design Patent**
Dios

(10) **Patent No.:** **US D689,995 S**

(45) **Date of Patent:** **** Sep. 17, 2013**

(54) **DEHUMIDIFIER**

(76) Inventor: **Eva Schmidt Dios**, La Canonja (ES)

(**) Term: **14 Years**

(21) Appl. No.: **29/425,335**

(22) Filed: **Jun. 21, 2012**

(30) **Foreign Application Priority Data**

Dec. 21, 2011 (ES) 001966391-0001

(51) **LOC (9) Cl.** **23-04**

(52) **U.S. Cl.**
USPC **D23/359**

(58) **Field of Classification Search**
USPC D23/355-366, 352, 369, 332, 333,
D23/335, 336, 342, 351; 422/120, 122;
55/356, 473, 504; 96/97; D14/188, 170,
D14/172; 261/DIG. 17, DIG. 65, DIG. 88,
261/DIG. 31; D18/34.6; D9/424, 425, 426,
D9/431, 432

See application file for complete search history.

(56) **References Cited**

U.S. PATENT DOCUMENTS

D379,138 S * 5/1997 Carlson D9/432
D381,512 S * 7/1997 Green D9/424
D399,654 S * 10/1998 Mandell D9/424
D408,631 S * 4/1999 Dickinson et al. D9/425

D409,485 S * 5/1999 Christy, Jr. D9/425
D419,442 S * 1/2000 McClung et al. D9/425
D448,464 S * 9/2001 Shin D23/359
D449,102 S * 10/2001 Shin D23/366
D478,282 S * 8/2003 Hayes et al. D9/425
D488,214 S * 4/2004 Quantin D23/366
D488,718 S * 4/2004 Passerini D9/425
D505,718 S * 5/2005 El Ghouyel et al. D23/359
D579,326 S * 10/2008 Chen D9/427

* cited by examiner

Primary Examiner — David Muller

(74) *Attorney, Agent, or Firm* — Allen, Dyer, Doppelt,
Milbrath & Gilchrist, P.A.

(57) **CLAIM**

The ornamental design for a dehumidifier, as shown and described.

DESCRIPTION

FIG. 1 is a perspective view from the top, left and front of a dehumidifier, according to an embodiment of the present invention;

FIG. 2 is a left side view of the dehumidifier of FIG. 1, the right side view being a mirror image thereof;

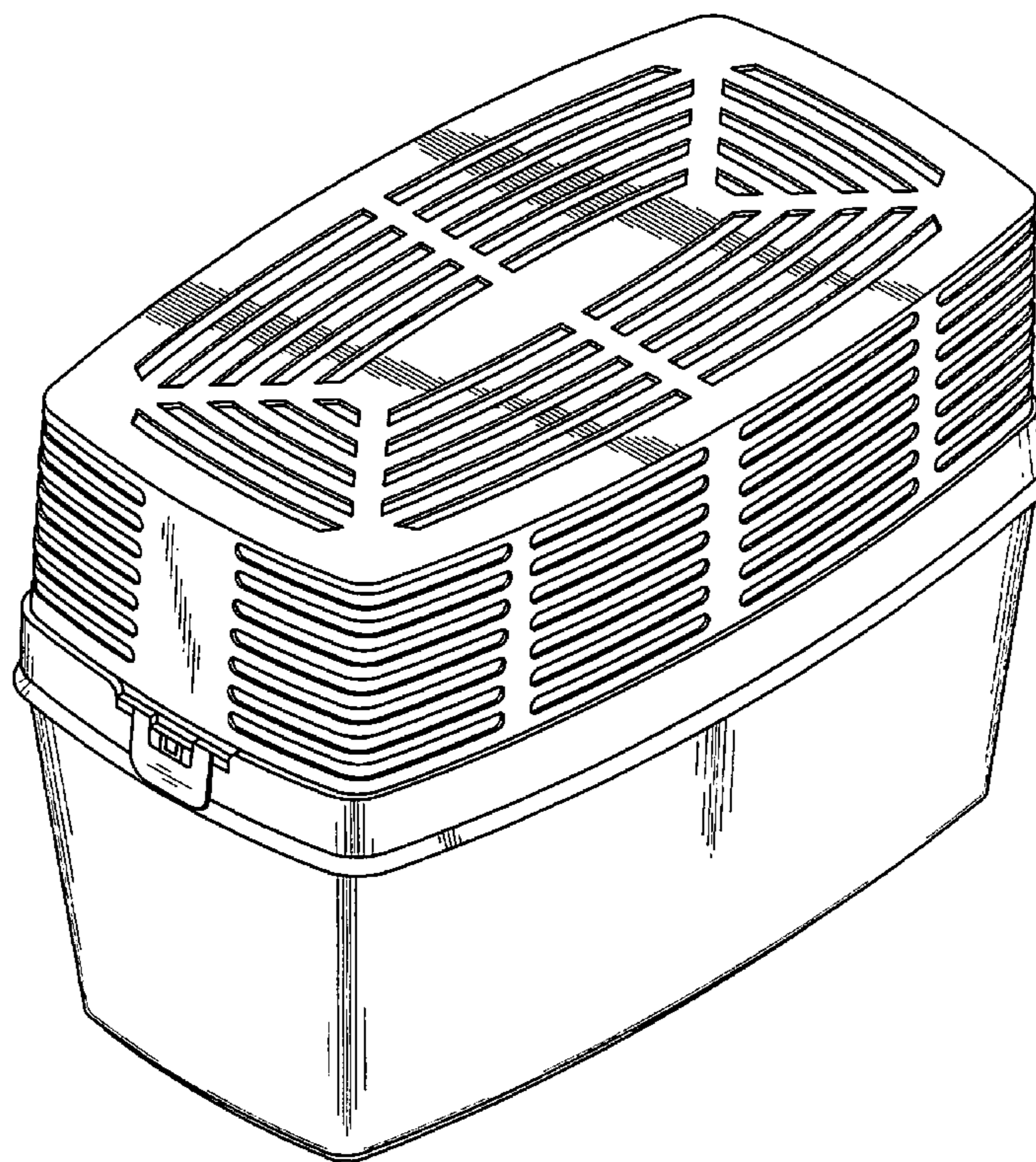
FIG. 3 is a front view of the dehumidifier of FIG. 1, the rear view being a mirror image thereof;

FIG. 4 is a top view of the dehumidifier of FIG. 1; and,

FIG. 5 is a bottom view of the dehumidifier of FIG. 1.

Broken lines in FIG. 5 depict a boundary of the claimed design, and form no part thereof.

1 Claim, 4 Drawing Sheets



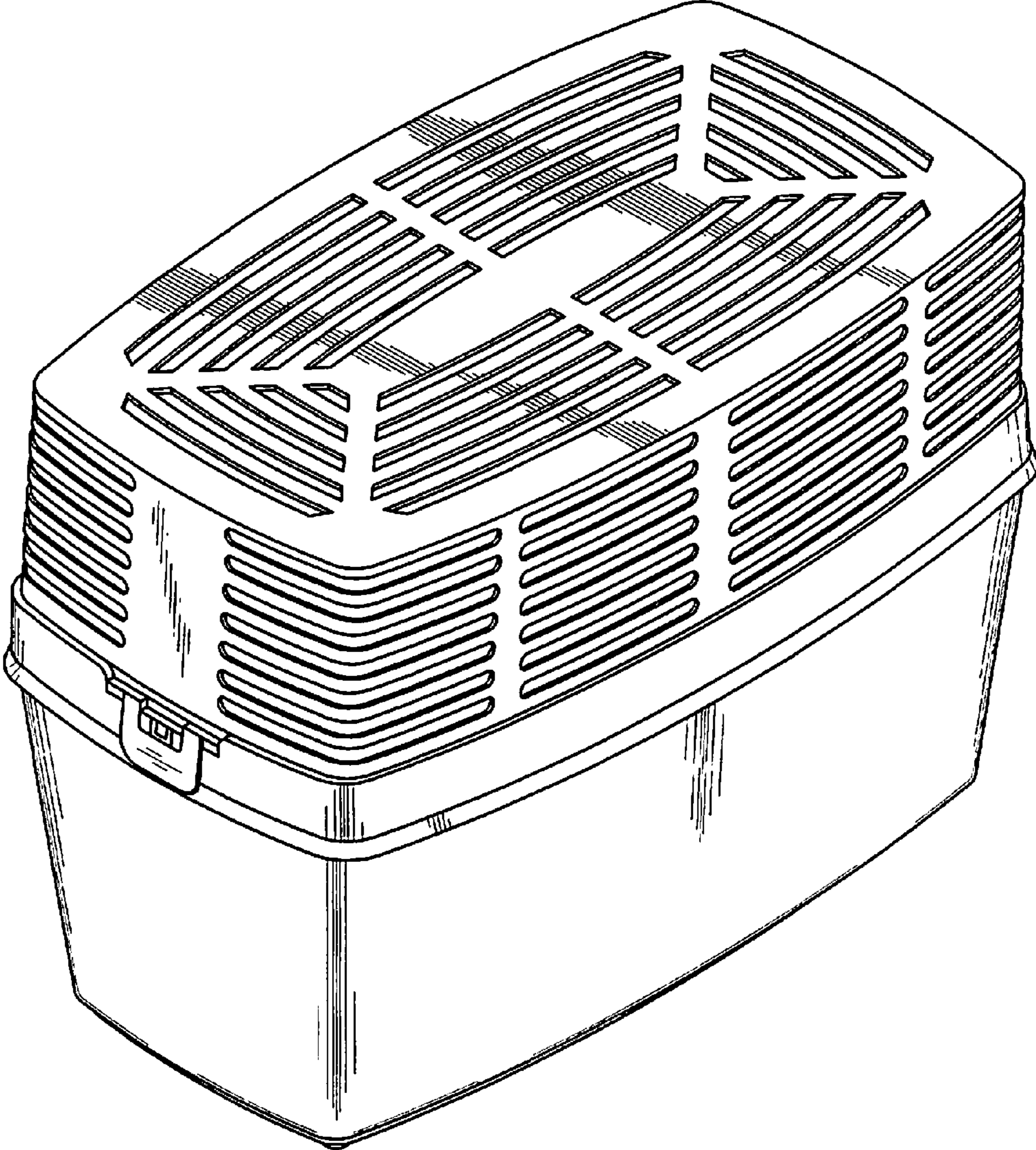


Fig. 1

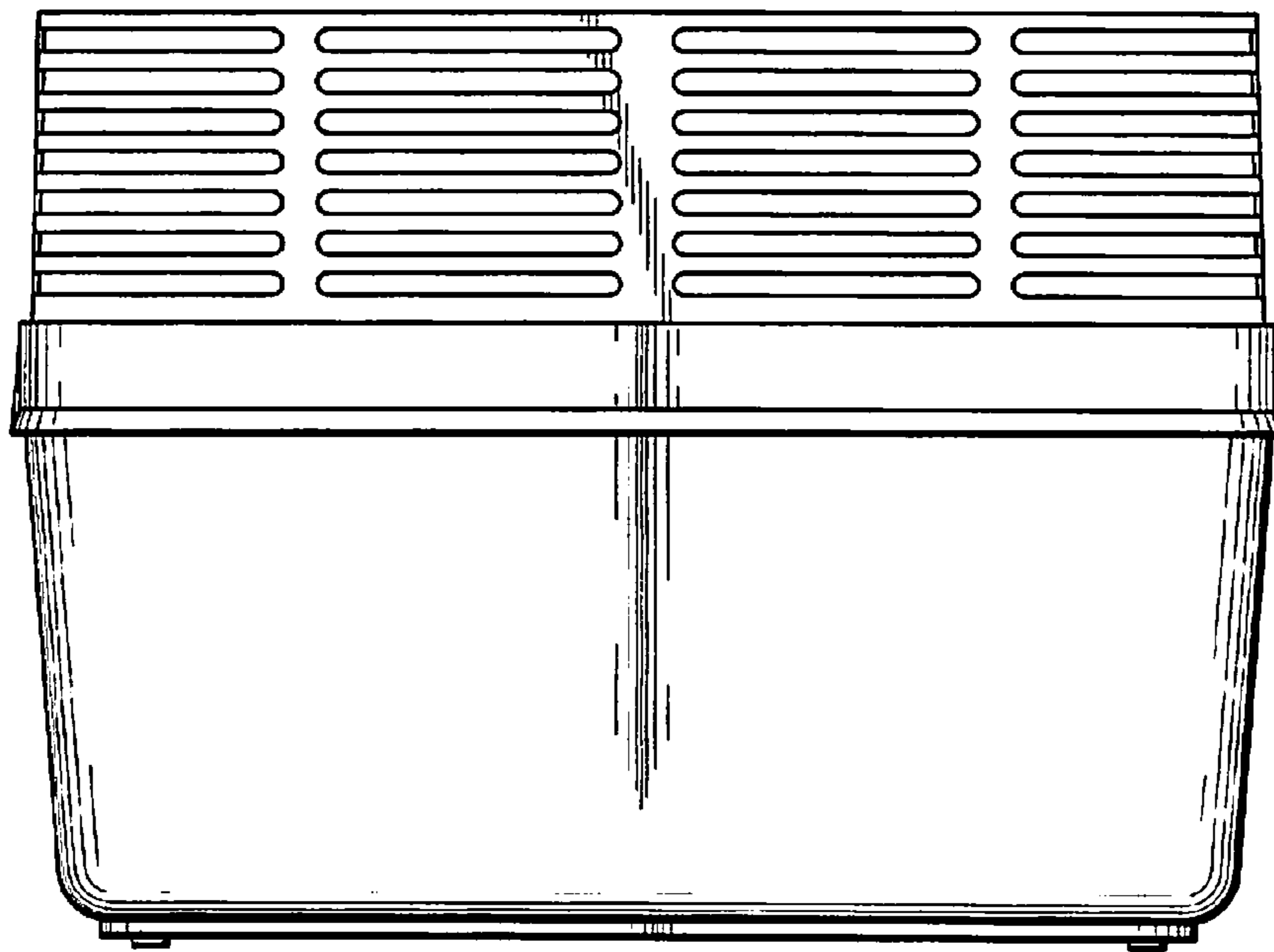


Fig. 2

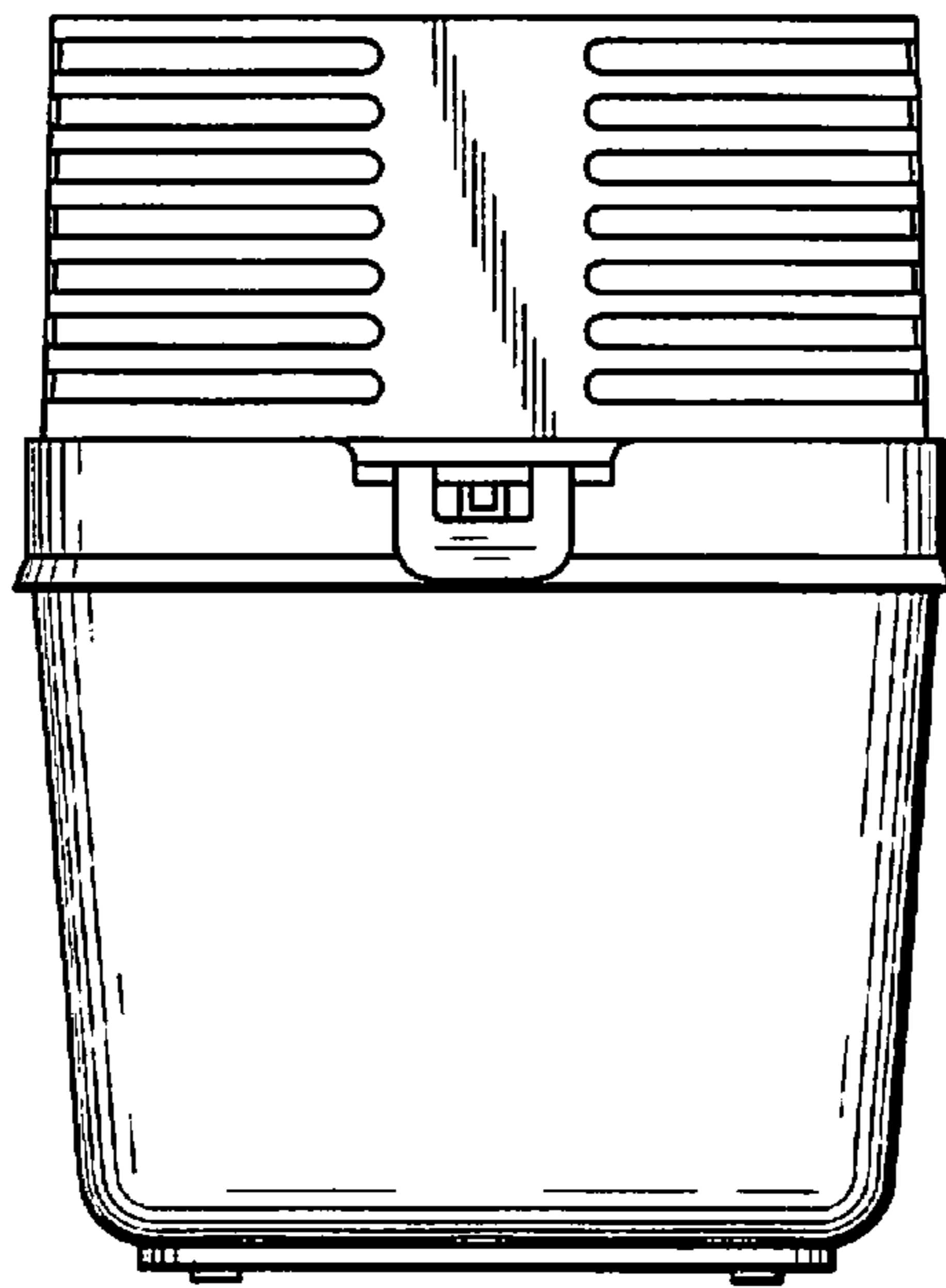


Fig. 3

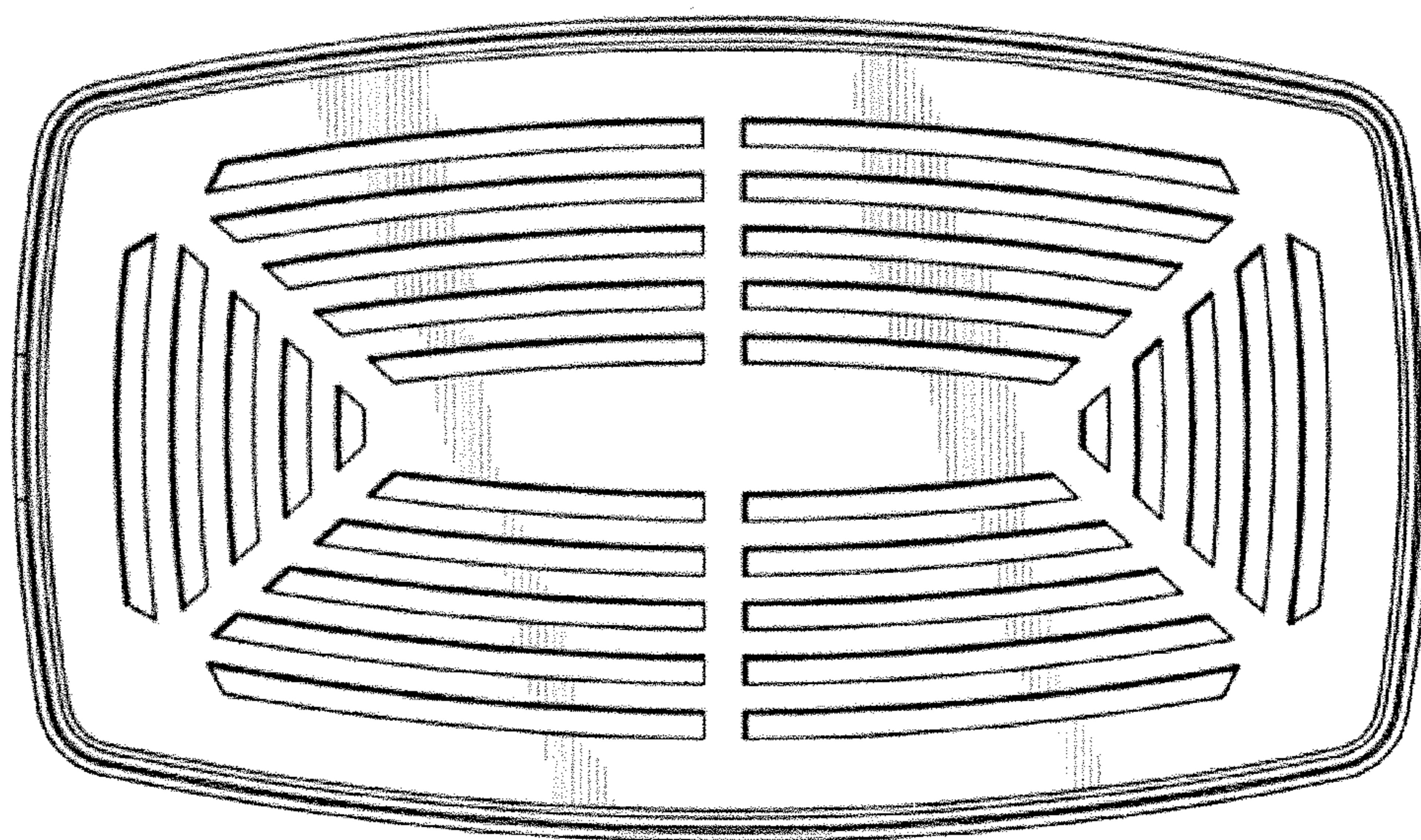


Fig. 4

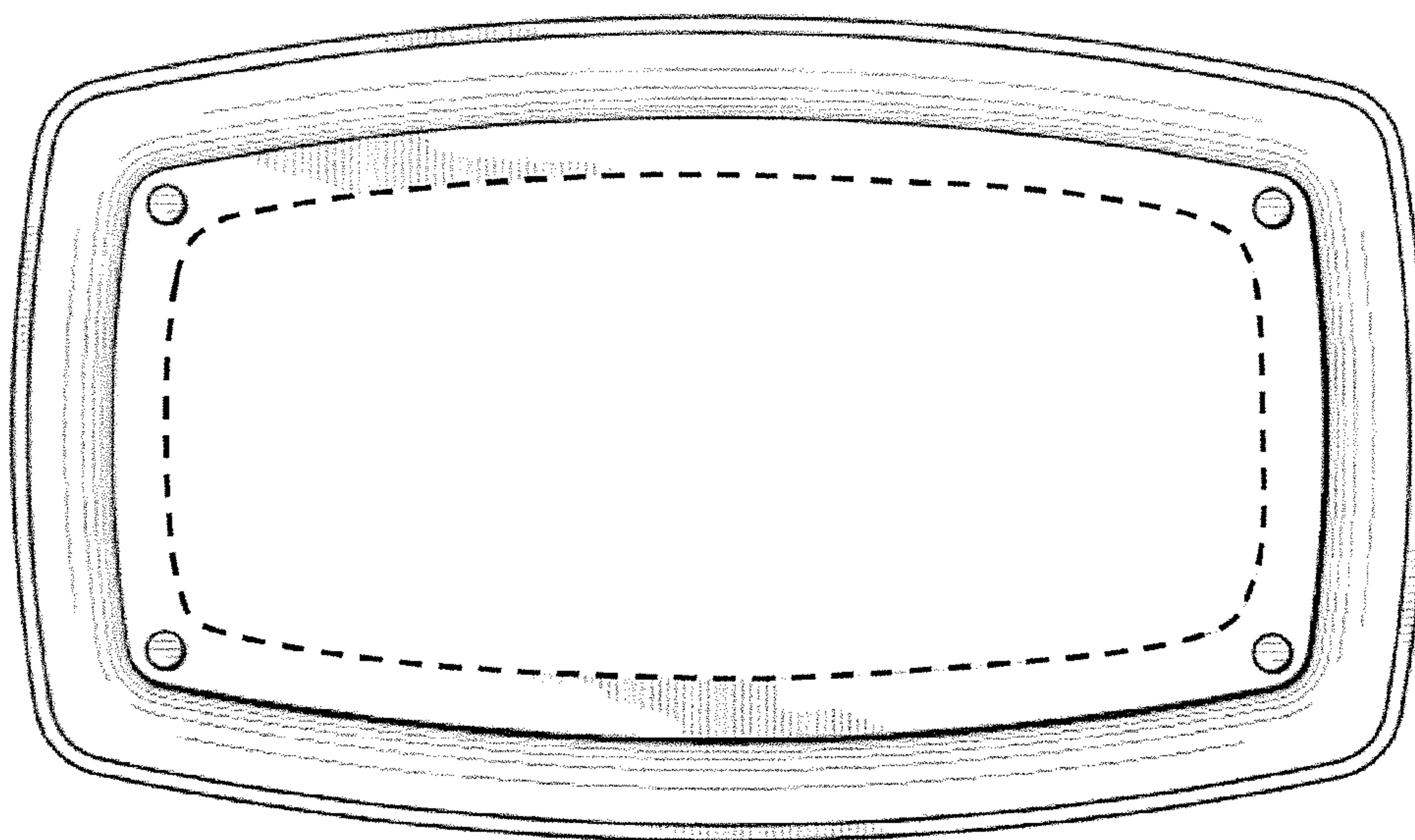


Fig. 5