



US00D689993S

(12) **United States Design Patent**  
**Yoon et al.**

(10) **Patent No.:** **US D689,993 S**

(45) **Date of Patent:** **\*\* Sep. 17, 2013**

(54) **AIR CONDITIONER**

D557,782 S \* 12/2007 Choi ..... D23/351  
D580,032 S \* 11/2008 Kim et al. .... D23/351  
D649,234 S \* 11/2011 Iovanel ..... D23/351

(75) Inventors: **Sanghoon Yoon**, Seoul (KR);  
**Young-Joong Jun**, Seoul (KR)

\* cited by examiner

(73) Assignee: **Samsung Electronics Co., Ltd.**,  
Suwon-si (KR)

*Primary Examiner* — Brian N Vinson

(74) *Attorney, Agent, or Firm* — Ladas & Parry LLP

(\*\*) Term: **14 Years**

(57) **CLAIM**

The ornamental design for an air conditioner, as shown and described.

(21) Appl. No.: **29/426,720**

**DESCRIPTION**

(22) Filed: **Jul. 10, 2012**

(51) **LOC (9) Cl.** ..... **23-04**

(52) **U.S. Cl.**  
USPC ..... **D23/351**

(58) **Field of Classification Search**  
USPC ..... D23/314, 317, 332–333, 351; 312/236;  
62/259.1, 259.3, 259.4, 262–263, 304, 401,  
62/515–516; 454/330–331, 349–350, 354  
See application file for complete search history.

FIG. 1 is a top, front, and right side perspective view of an air conditioner showing our new design;  
FIG. 2 is a front elevational view thereof;  
FIG. 3 is a rear elevational view thereof;  
FIG. 4 is a left side elevational view thereof;  
FIG. 5 is a right side elevational view thereof;  
FIG. 6 is a top plan view thereof;  
FIG. 7 is a bottom plan view thereof; and,  
FIG. 8 is an additional front elevational view thereof with the broken-line disclosure of the vents in an open position being for illustrative purposes only and forming no part of the claimed design. The other broken-line disclosure in the views shows portions of the article which also form no part of the claimed design.

(56) **References Cited**

U.S. PATENT DOCUMENTS

D454,187 S \* 3/2002 Wang et al. .... D23/351  
D508,118 S \* 8/2005 Motonishi et al. .... D23/351  
D547,849 S \* 7/2007 Francisquini ..... D23/351

**1 Claim, 7 Drawing Sheets**

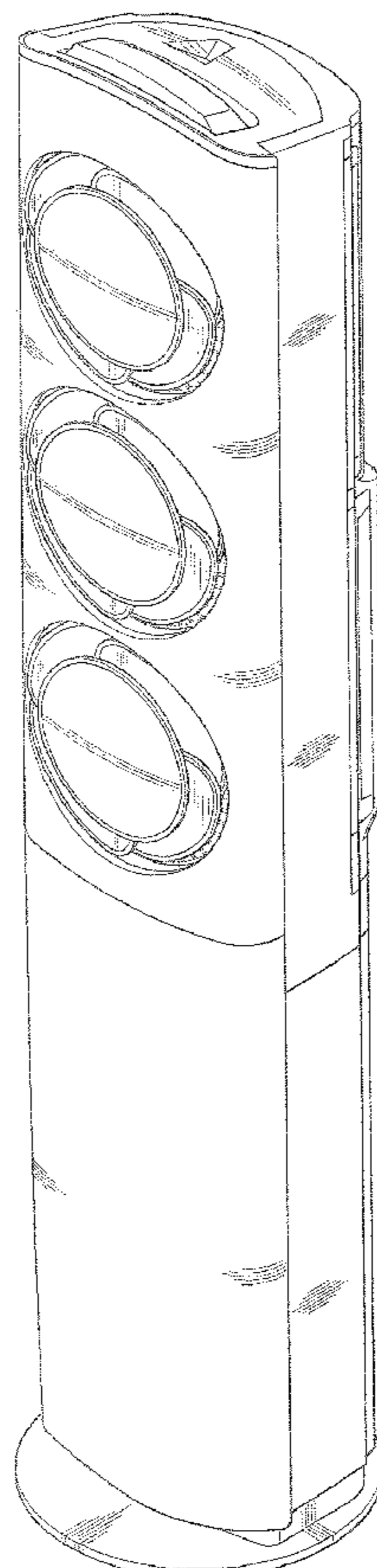


FIG. 1

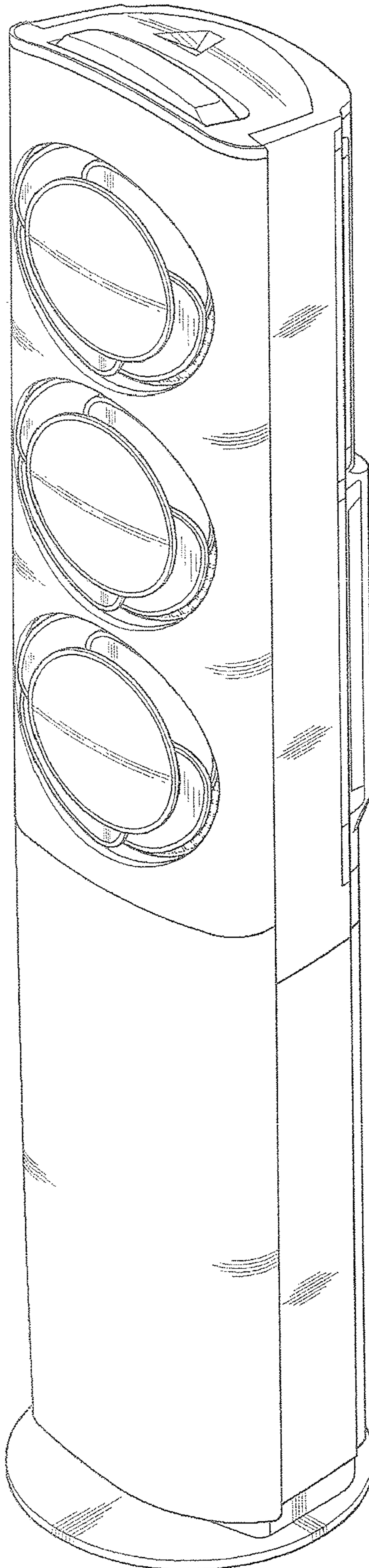


FIG. 2

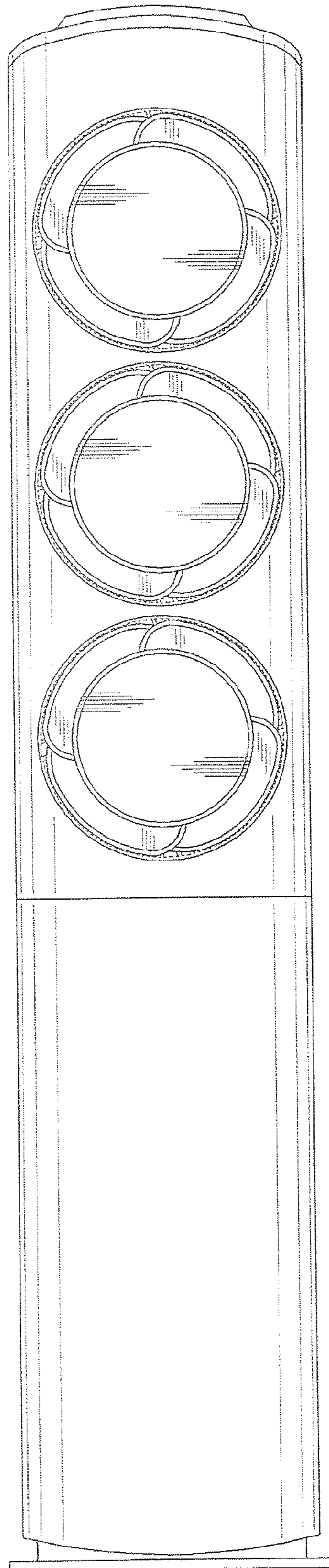


FIG. 3

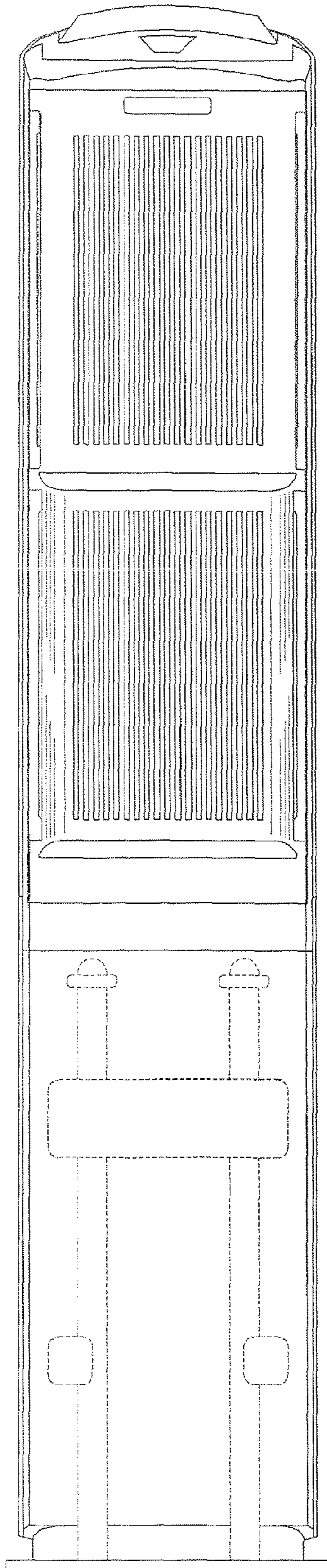




FIG. 4

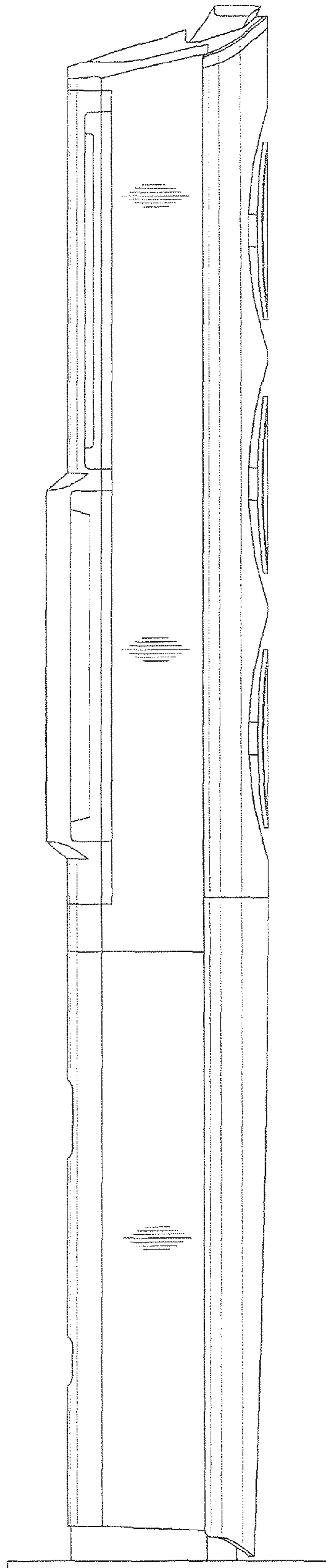


FIG. 5

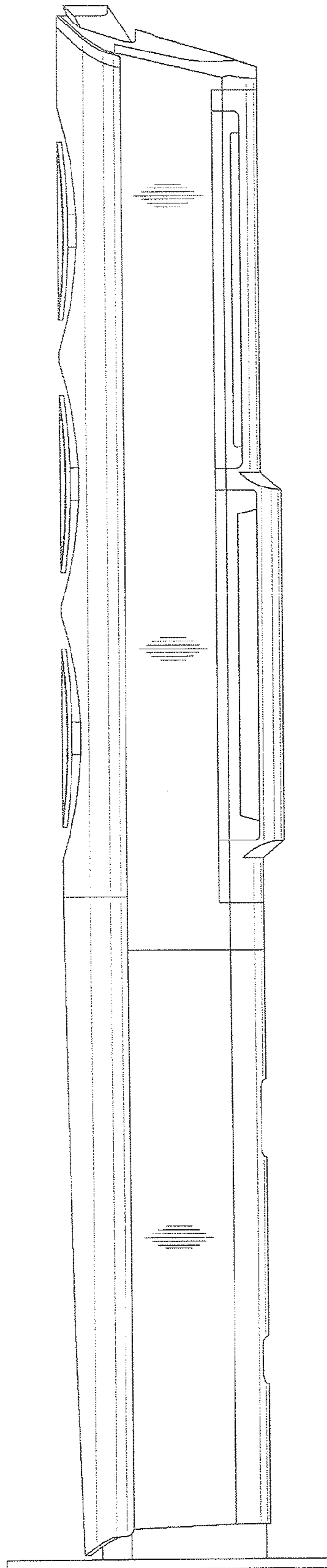


FIG. 6

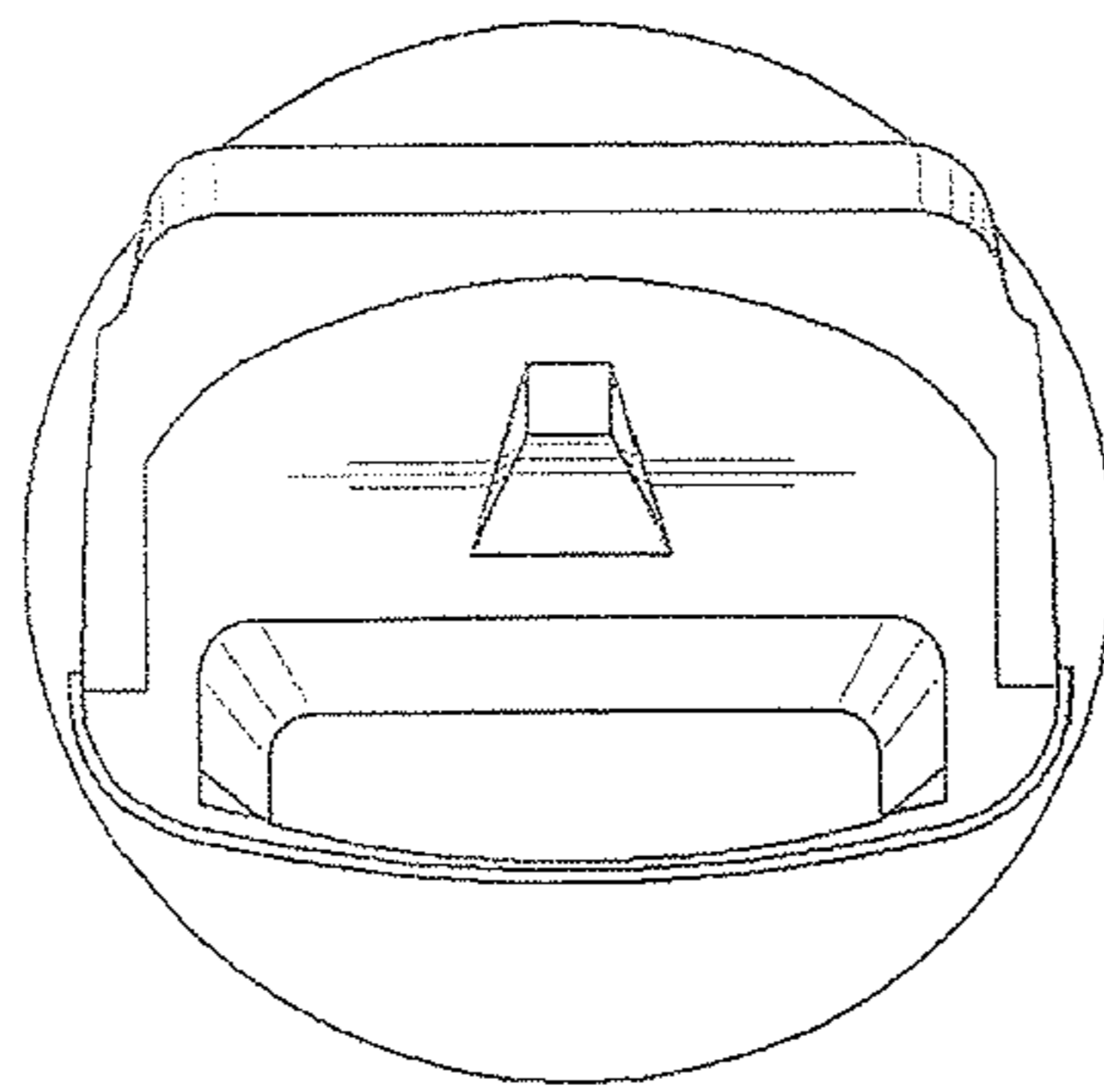


FIG. 7

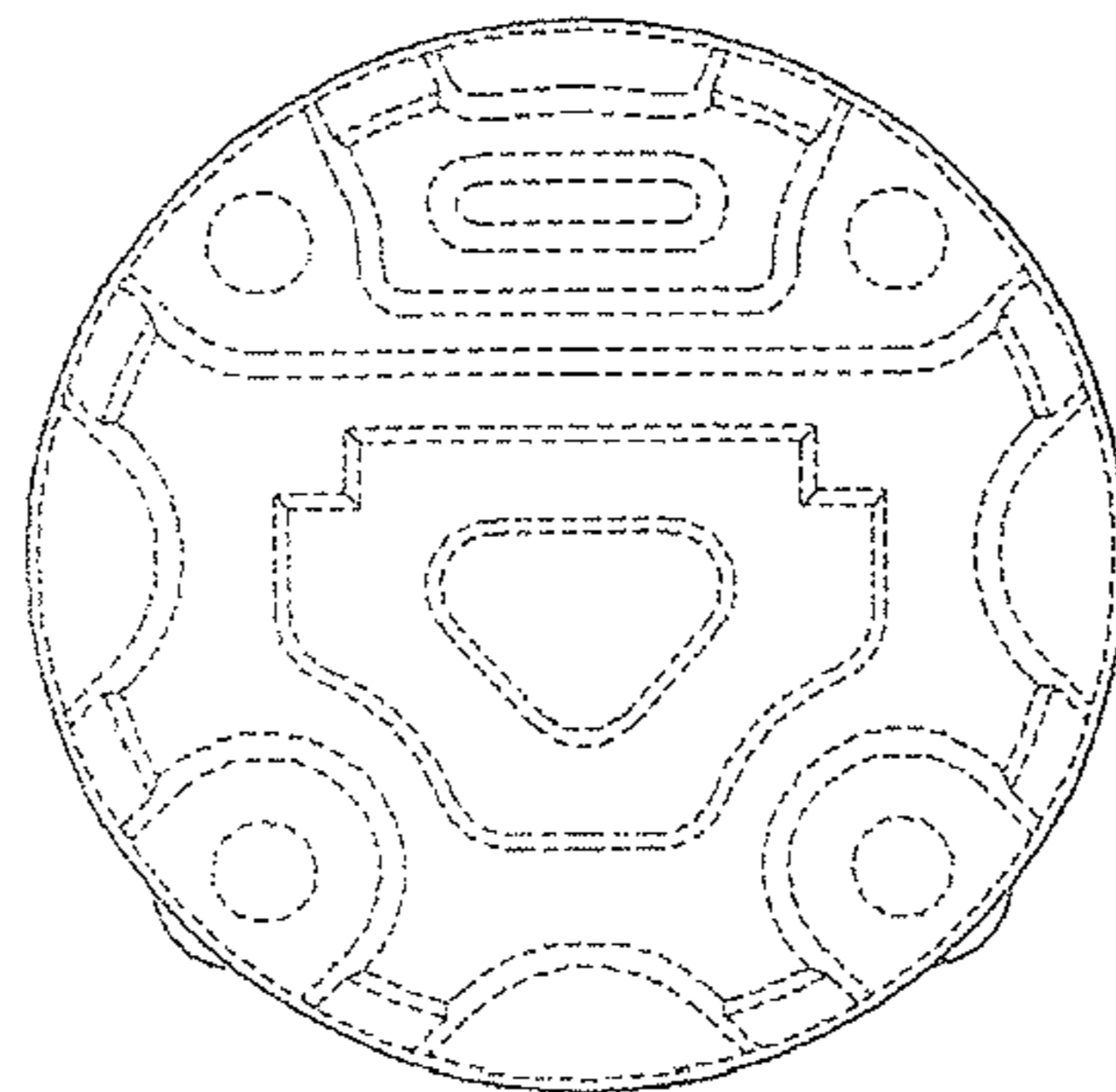


FIG. 8

