



US00D689988S

(12) **United States Design Patent**
Lee

(10) **Patent No.:** **US D689,988 S**

(45) **Date of Patent:** **** Sep. 17, 2013**

(54) **FAUCET EXTENDER**

(71) Applicant: **Susanna Lee**, Alamo, CA (US)

(72) Inventor: **Susanna Lee**, Alamo, CA (US)

(73) Assignee: **Peachy LLC**, Alamo, CA (US)

(**) Term: **14 Years**

(21) Appl. No.: **29/433,801**

(22) Filed: **Oct. 4, 2012**

Related U.S. Application Data

(63) Continuation of application No. 13/430,584, filed on Mar. 26, 2012, now Pat. No. 8,366,019, which is a continuation of application No. 13/225,259, filed on Sep. 2, 2011.

(51) **LOC (9) Cl.** **23-01**

(52) **U.S. Cl.**
USPC **D23/249**

(58) **Field of Classification Search**
USPC D23/249, 255; 137/801; 4/678,
4/559, 255.04; 222/566

See application file for complete search history.

(56) **References Cited**

U.S. PATENT DOCUMENTS

D544,584 S * 6/2007 Kemp D23/255
D661,781 S * 6/2012 McClure D23/249
8,251,094 B2 * 8/2012 Lin 137/601.18

* cited by examiner

Primary Examiner — Robin V Webster

(74) *Attorney, Agent, or Firm* — Kwan & Olynick LLP

(57) **CLAIM**

The ornamental design for a faucet extender, as shown and described.

DESCRIPTION

FIG. 1 is a top, front left side perspective view of a faucet extender according to an embodiment of the present disclosure;

FIG. 2 is a bottom, back left side perspective view of a faucet extender according to an embodiment of the present disclosure;

FIG. 3 is a left side view thereof;

FIG. 4 is a right side view thereof;

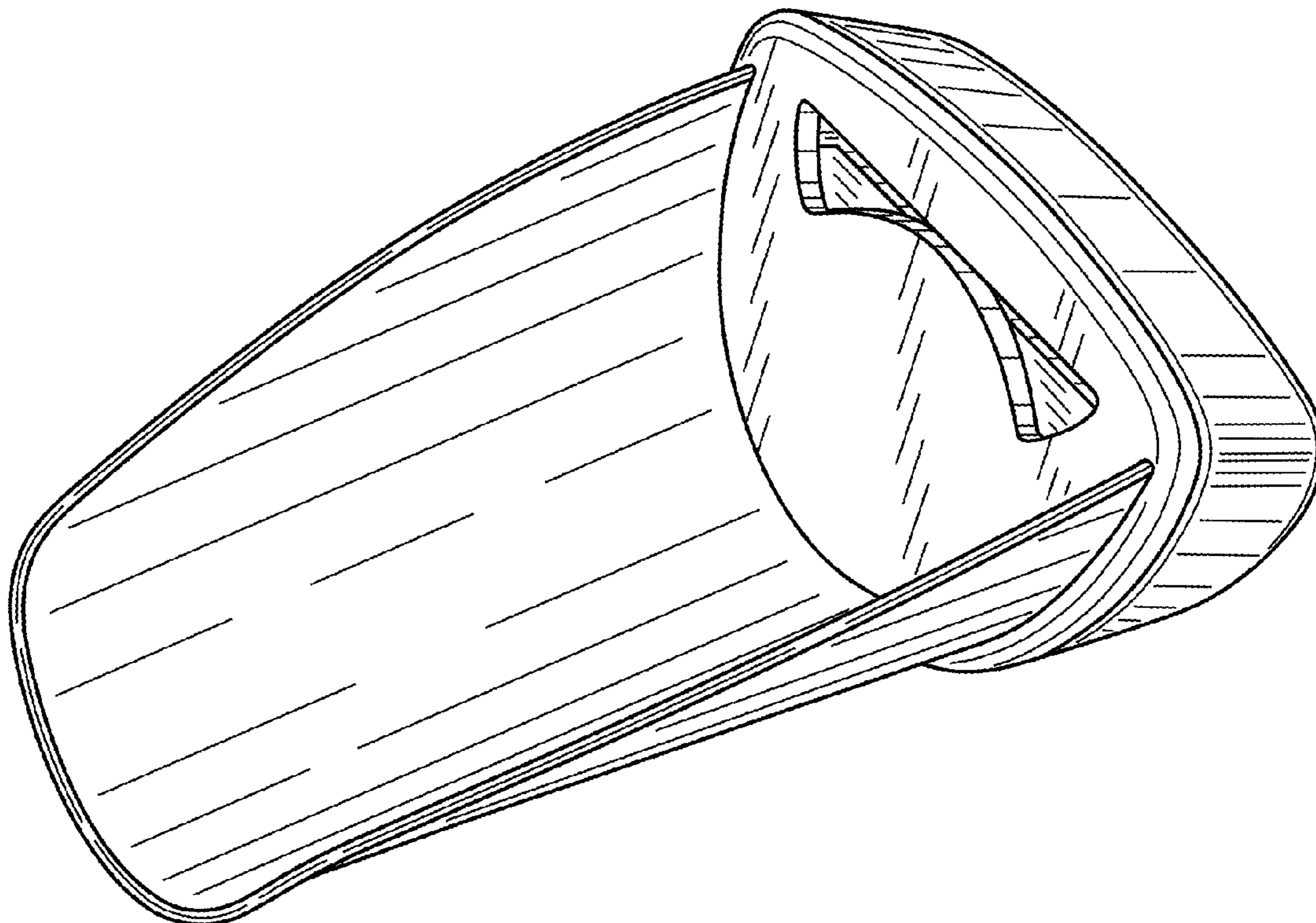
FIG. 5 is a top view thereof;

FIG. 6 is a bottom view thereof;

FIG. 7 is a front view thereof; and,

FIG. 8 is a back view thereof.

1 Claim, 8 Drawing Sheets



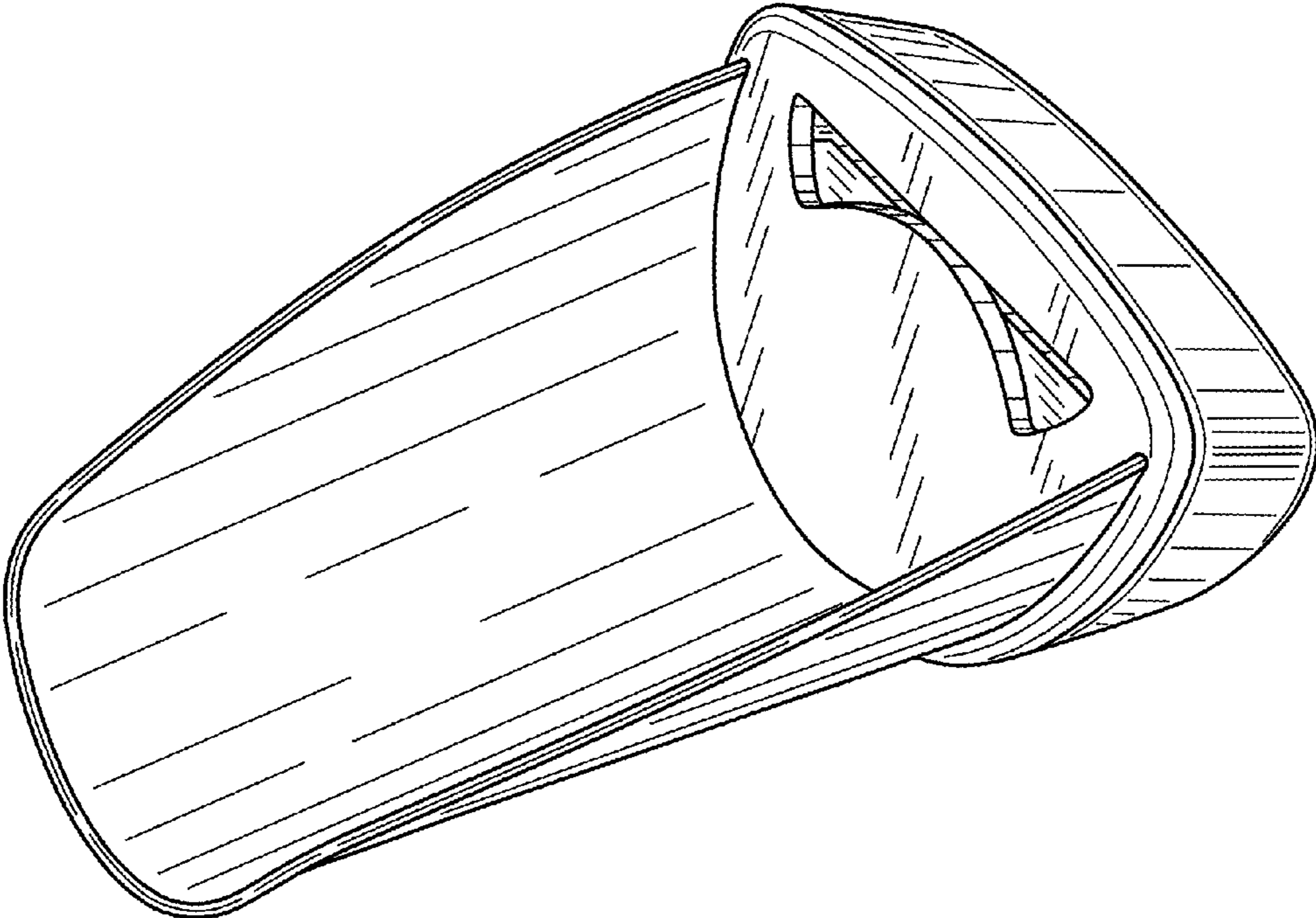


FIG. 1

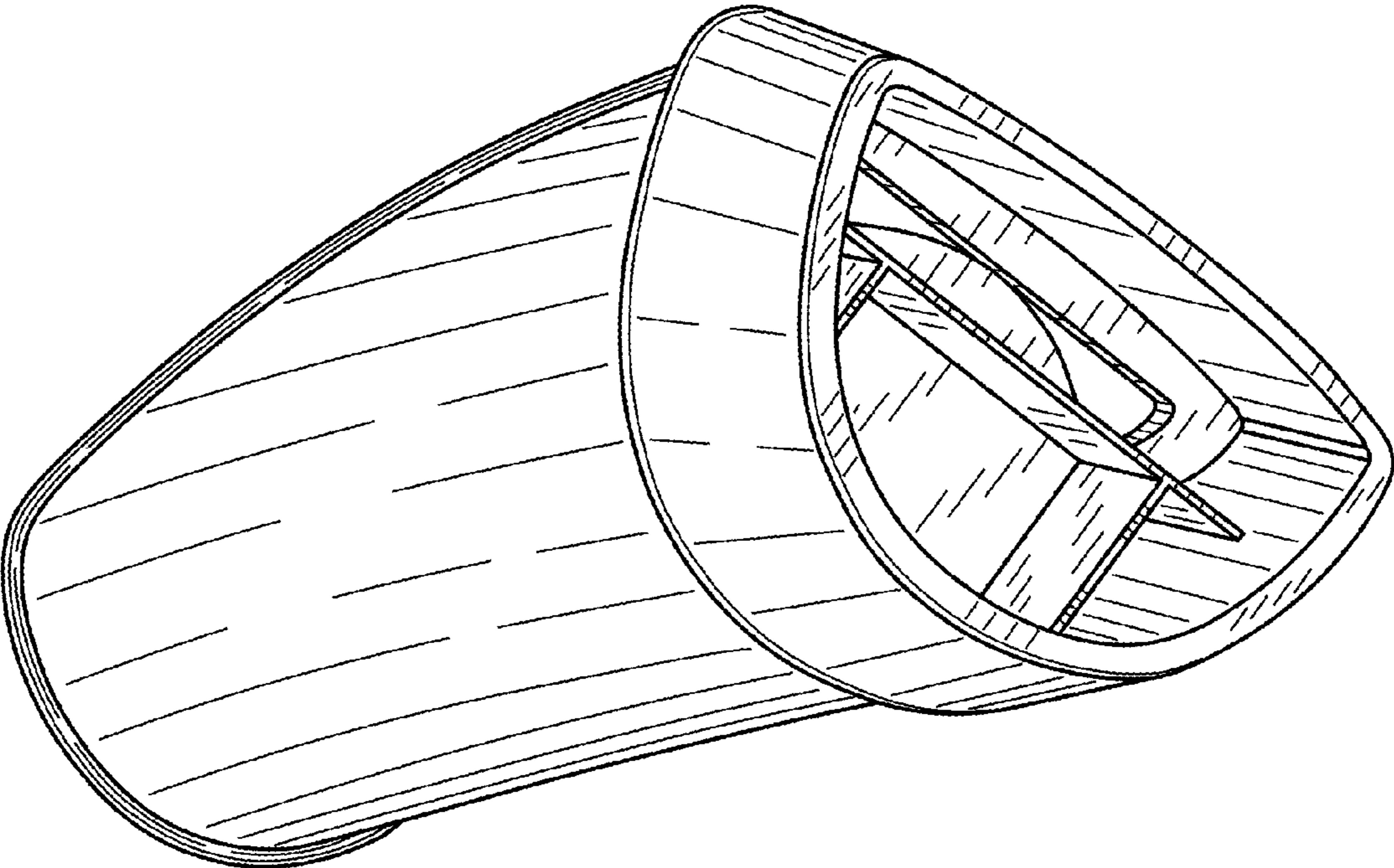


FIG. 2

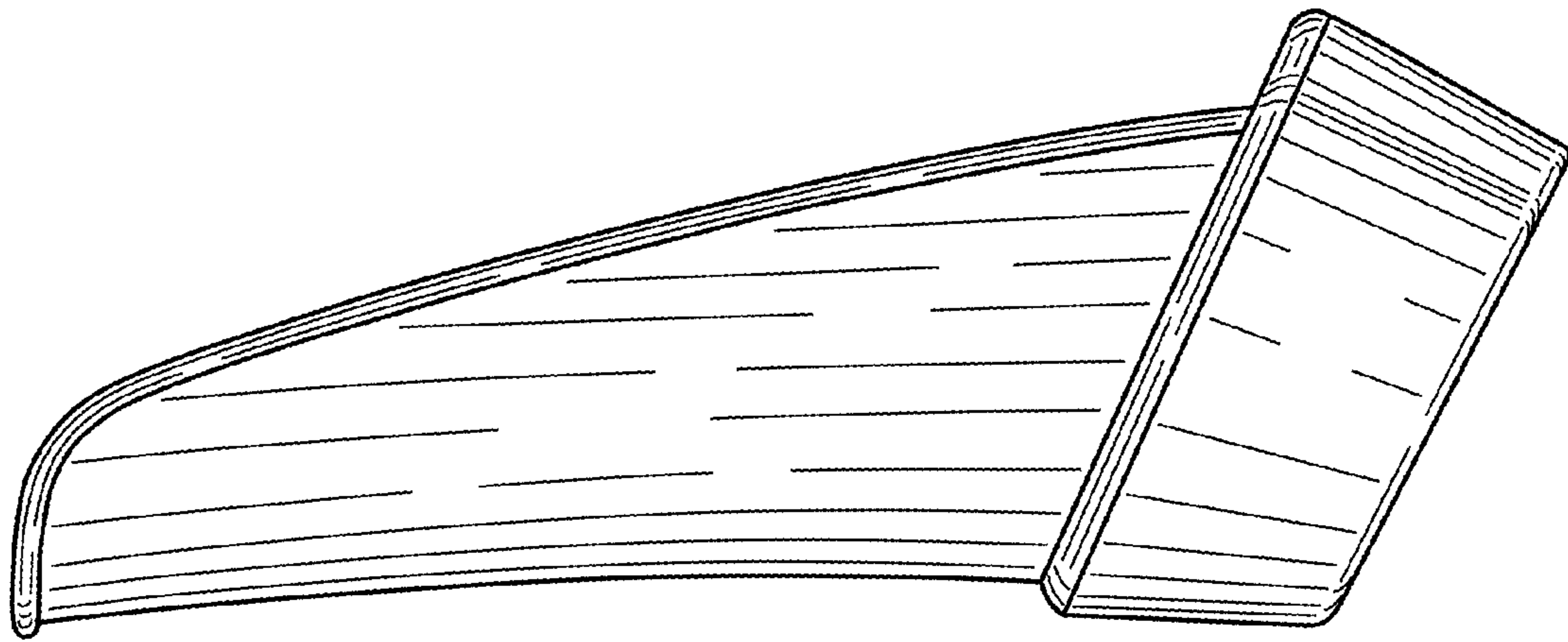


FIG. 3

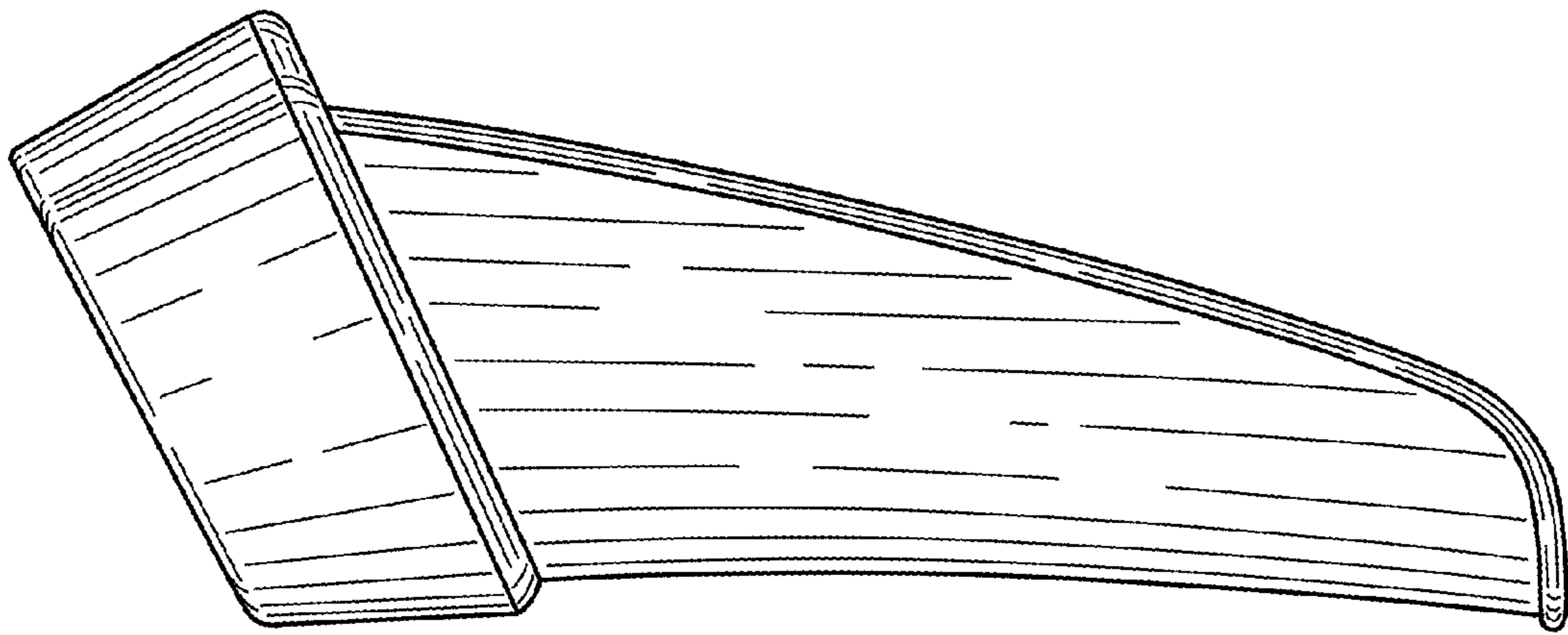


FIG. 4

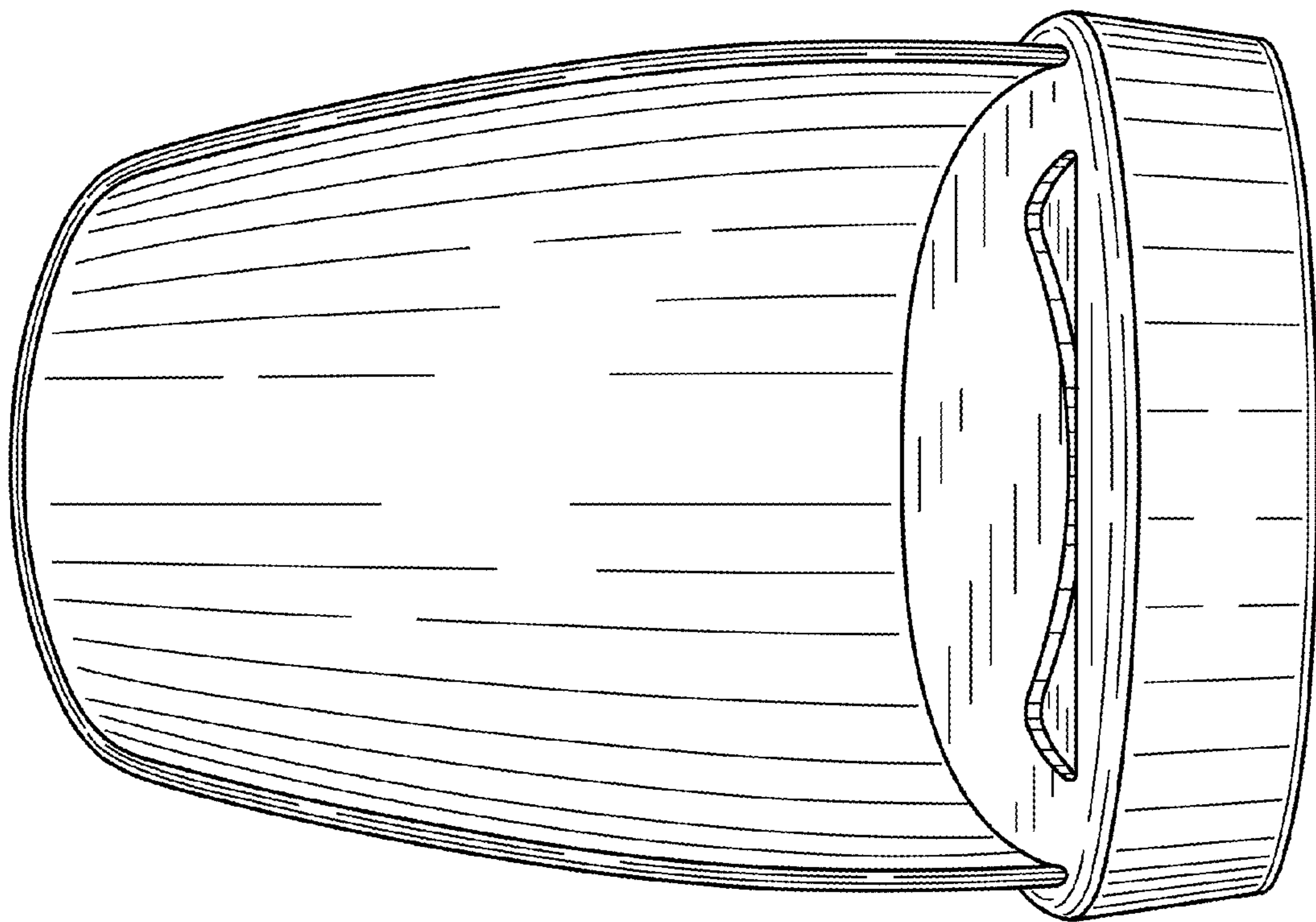


FIG. 5

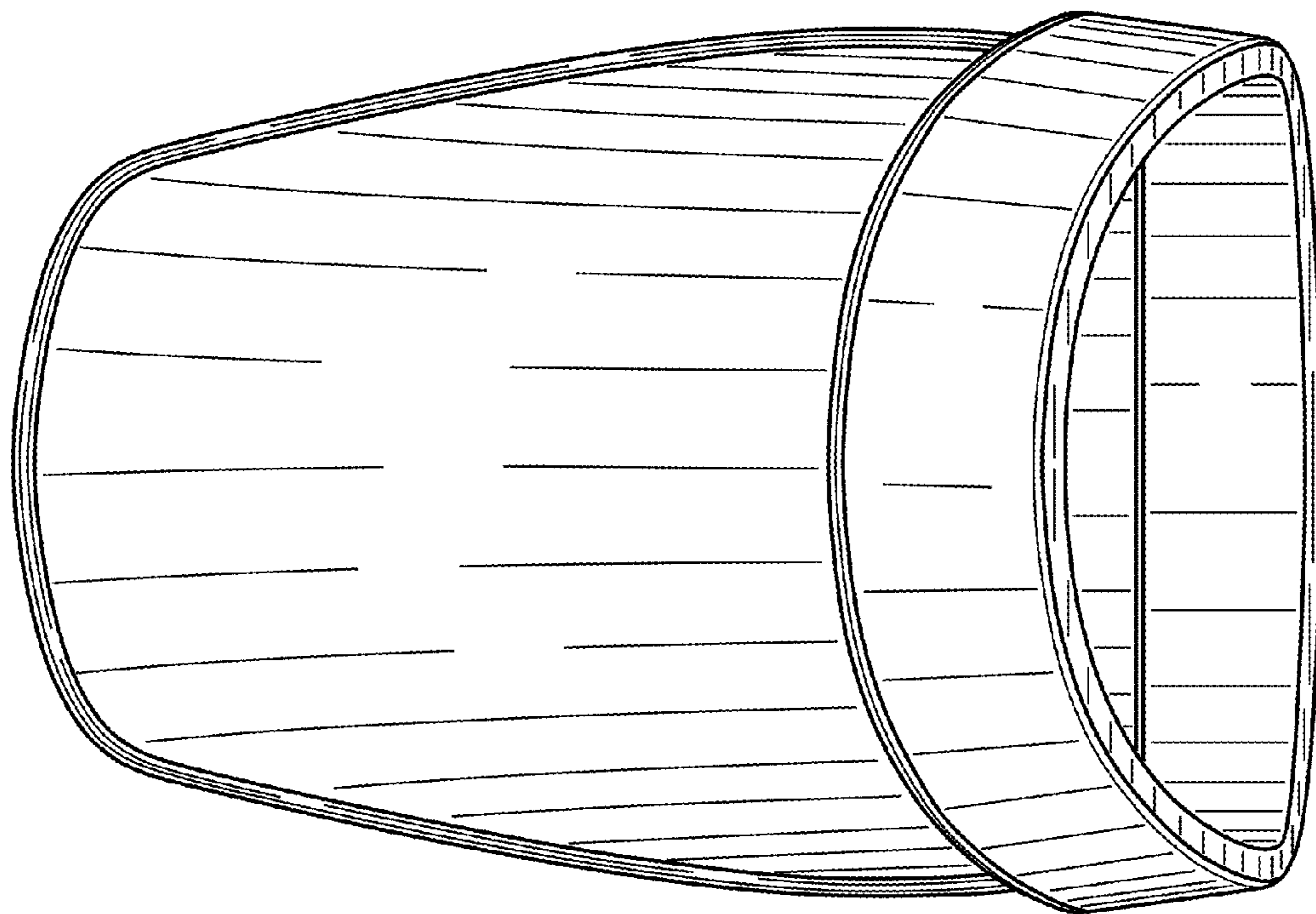


FIG. 6

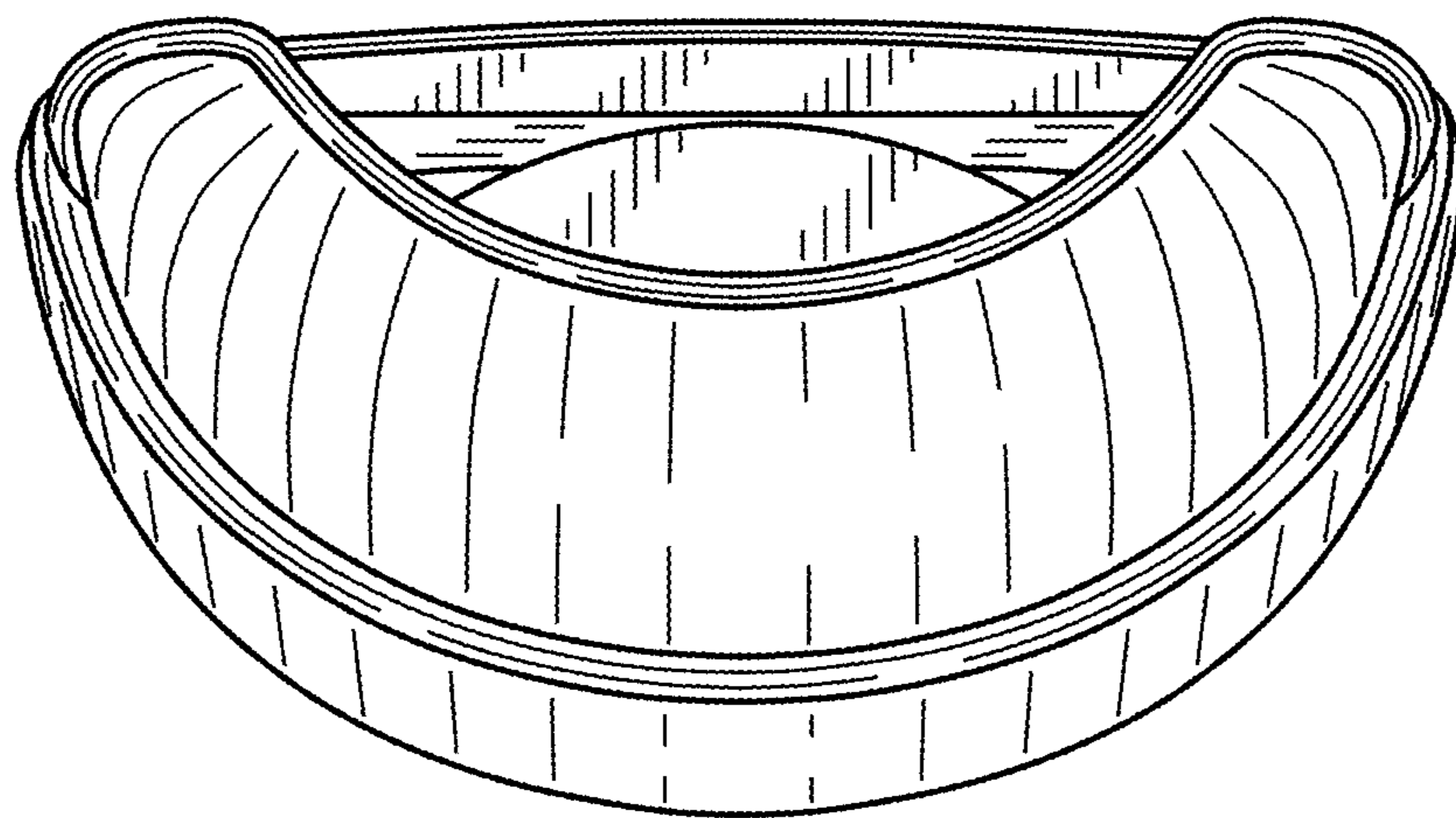


FIG. 7

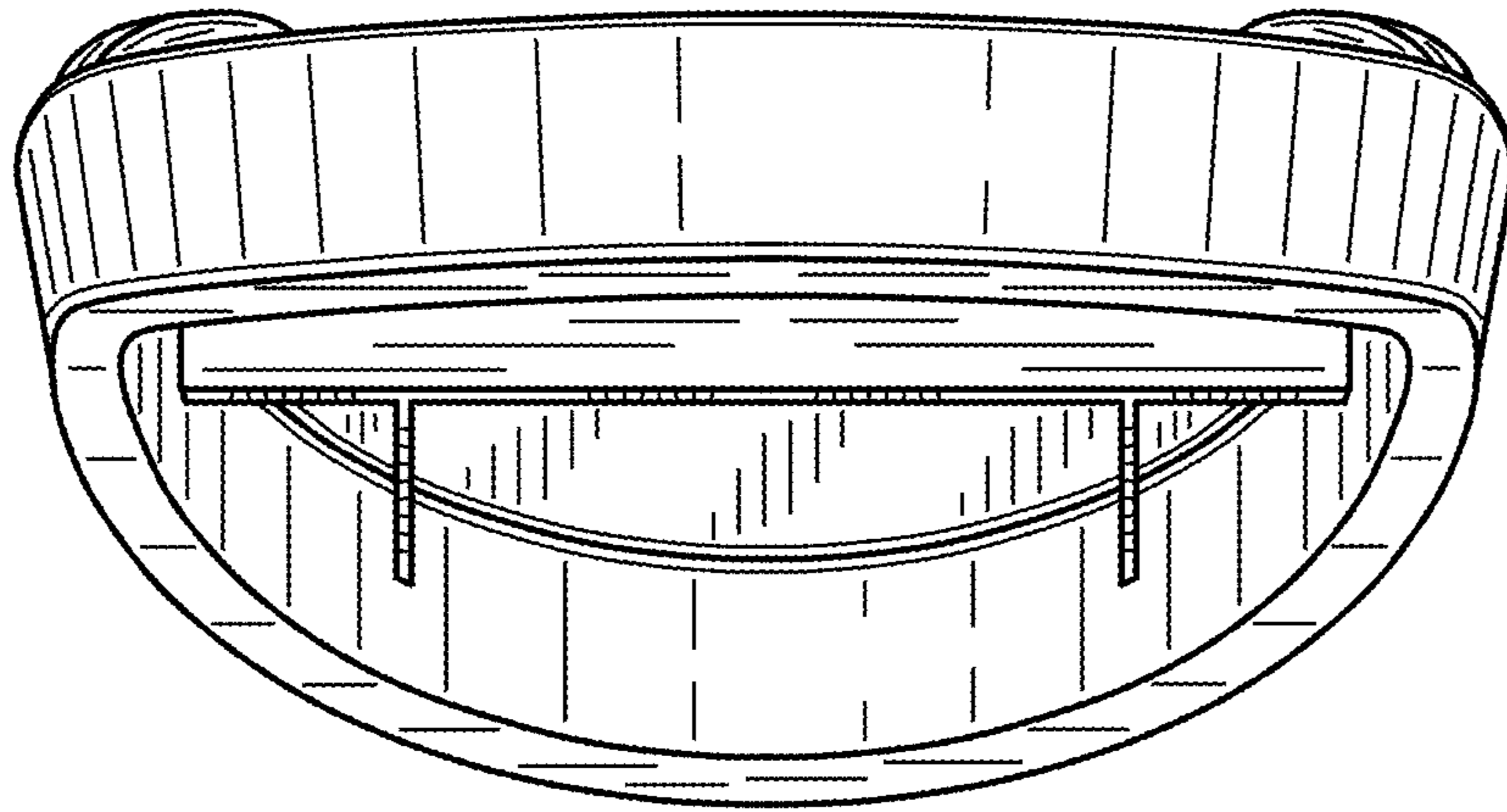


FIG. 8