



US00D689987S

(12) **United States Design Patent**
Kington et al.

(10) **Patent No.:** **US D689,987 S**

(45) **Date of Patent:** **** Sep. 17, 2013**

(54) **FAUCET**

DESCRIPTION

(75) Inventors: **Gary John Kington**, Cheltenham (GB);
Simon Mark Browning, London (GB);
Norman Edwards, Thrapston (GB)

(73) Assignee: **Kohler Mira Limited**, Cheltenham,
Gloucestershire (GB)

(**) Term: **14 Years**

(21) Appl. No.: **29/425,369**

(22) Filed: **Jun. 21, 2012**

(30) **Foreign Application Priority Data**

Dec. 23, 2011 (EM) 001308308

(51) **LOC (9) Cl.** **23-02**

(52) **U.S. Cl.**
USPC **D23/238**

(58) **Field of Classification Search**
USPC D23/238–243, 250, 252, 255; 4/675–678;
137/801

See application file for complete search history.

(56) **References Cited**

U.S. PATENT DOCUMENTS

D585,524 S * 1/2009 Schoenherr et al. D23/238
D605,256 S * 12/2009 Flowers et al. D23/238
D662,181 S * 6/2012 Thun D23/238
D667,533 S * 9/2012 Lammel et al. D23/238

* cited by examiner

Primary Examiner — Robert Delehanty

(74) *Attorney, Agent, or Firm* — Foley & Lardner LLP

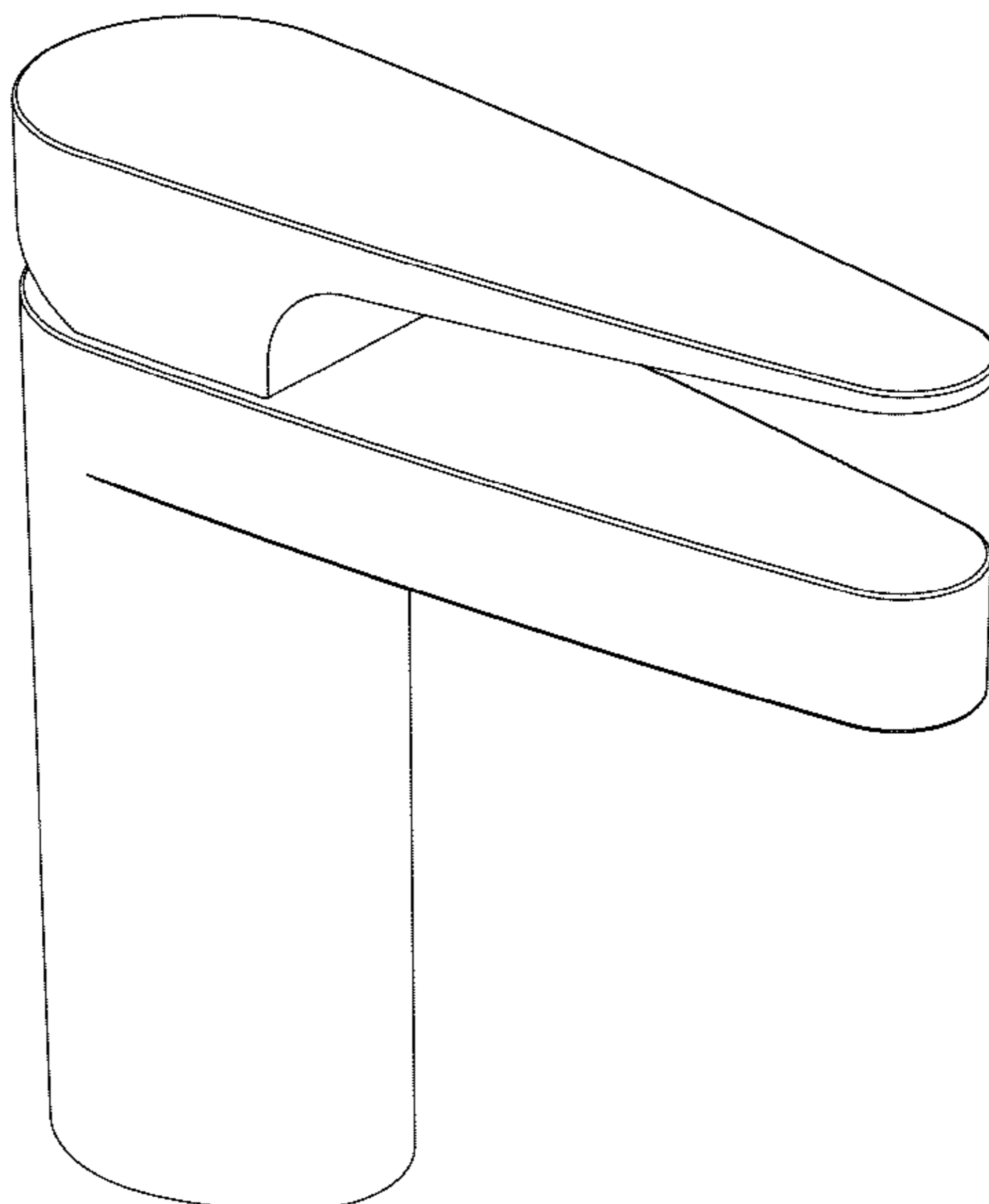
(57) **CLAIM**

We claim the ornamental design for a faucet, as shown and described.

FIG. 1 is a top, front, left perspective view of an embodiment of the claimed design;
FIG. 2 is a top, front, right perspective view thereof;
FIG. 3 is a left perspective view thereof;
FIG. 4 is a front perspective view thereof;
FIG. 5 is a front elevation view thereof;
FIG. 6 is a rear elevation view thereof;
FIG. 7 is a right elevation view thereof, the left elevation view being a mirror image thereof;
FIG. 8 is a top plan view thereof;
FIG. 9 is a bottom plan view thereof;
FIG. 10 is a top, front, left perspective view of another embodiment of the claimed design;
FIG. 11 is a top, front, right perspective view thereof;
FIG. 12 is a left perspective view thereof;
FIG. 13 is a front perspective view thereof;
FIG. 14 is a front elevation view thereof;
FIG. 15 is a rear elevation view thereof;
FIG. 16 is a right elevation view thereof, the left elevation view being a mirror image thereof;
FIG. 17 is a top plan view thereof; and,
FIG. 18 is a bottom plan view thereof.

The ornamental design which is claimed is shown in solid lines in the drawings: The broken line portion(s) of the drawings are for illustrative purposes only and form no part of the claimed design. Broken line disclosure formed by equal length dashes show unclaimed portions of the design. Broken line disclosure formed by unequal length dashes show boundaries between claimed and unclaimed portions of the design. Broken line disclosure formed by jagged lines indicate portions of indeterminate length.

1 Claim, 10 Drawing Sheets



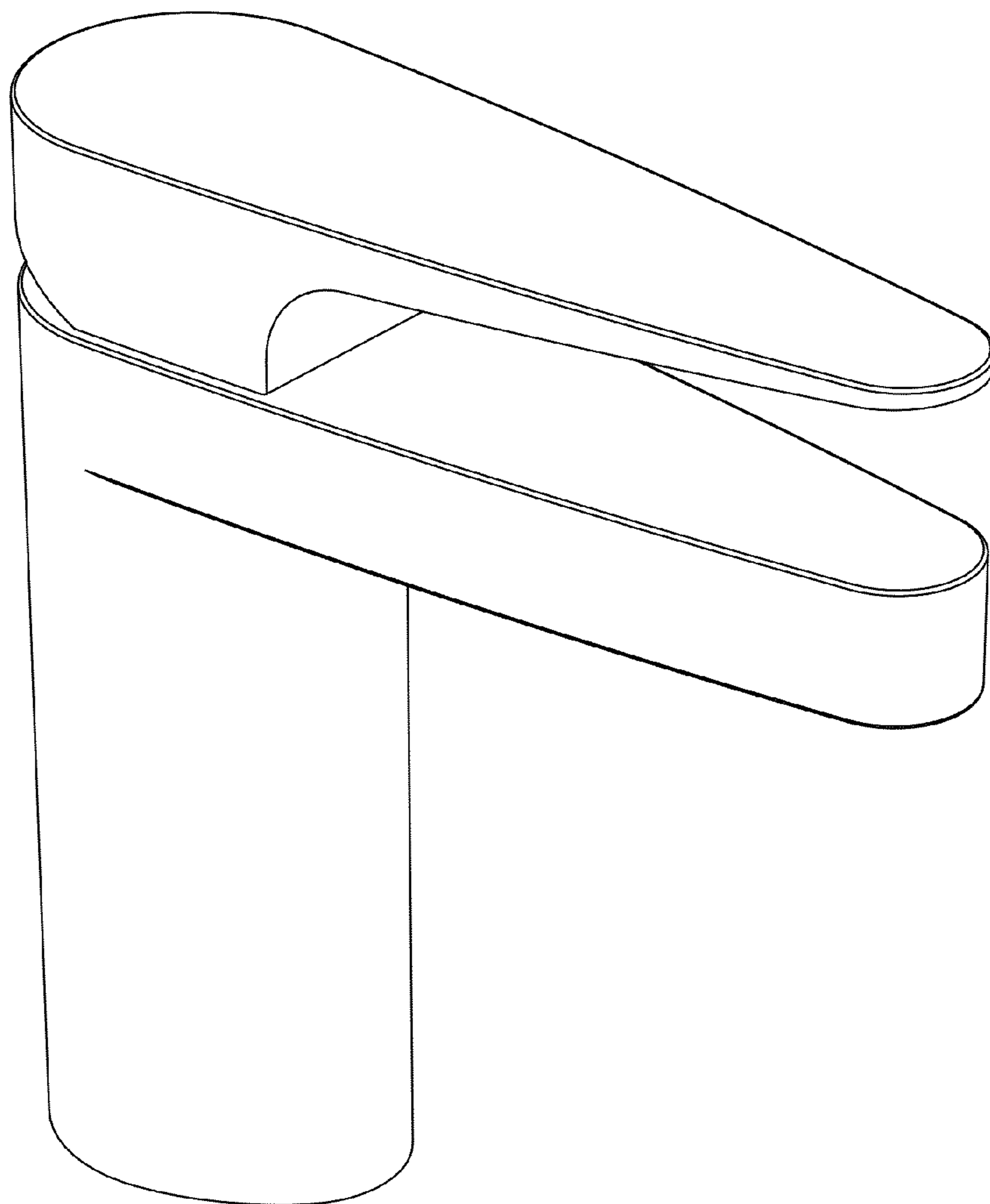


FIG. 1

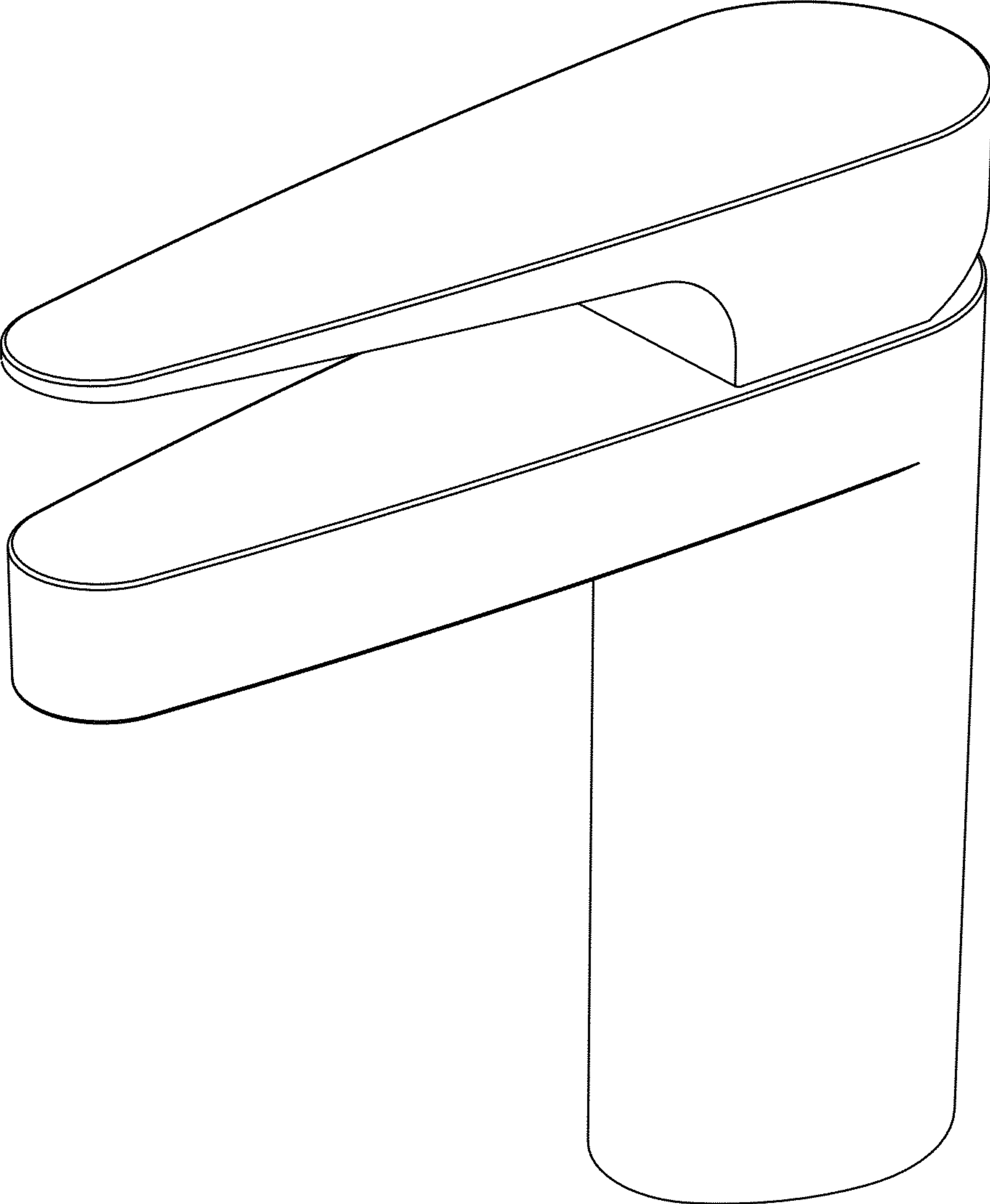


FIG. 2

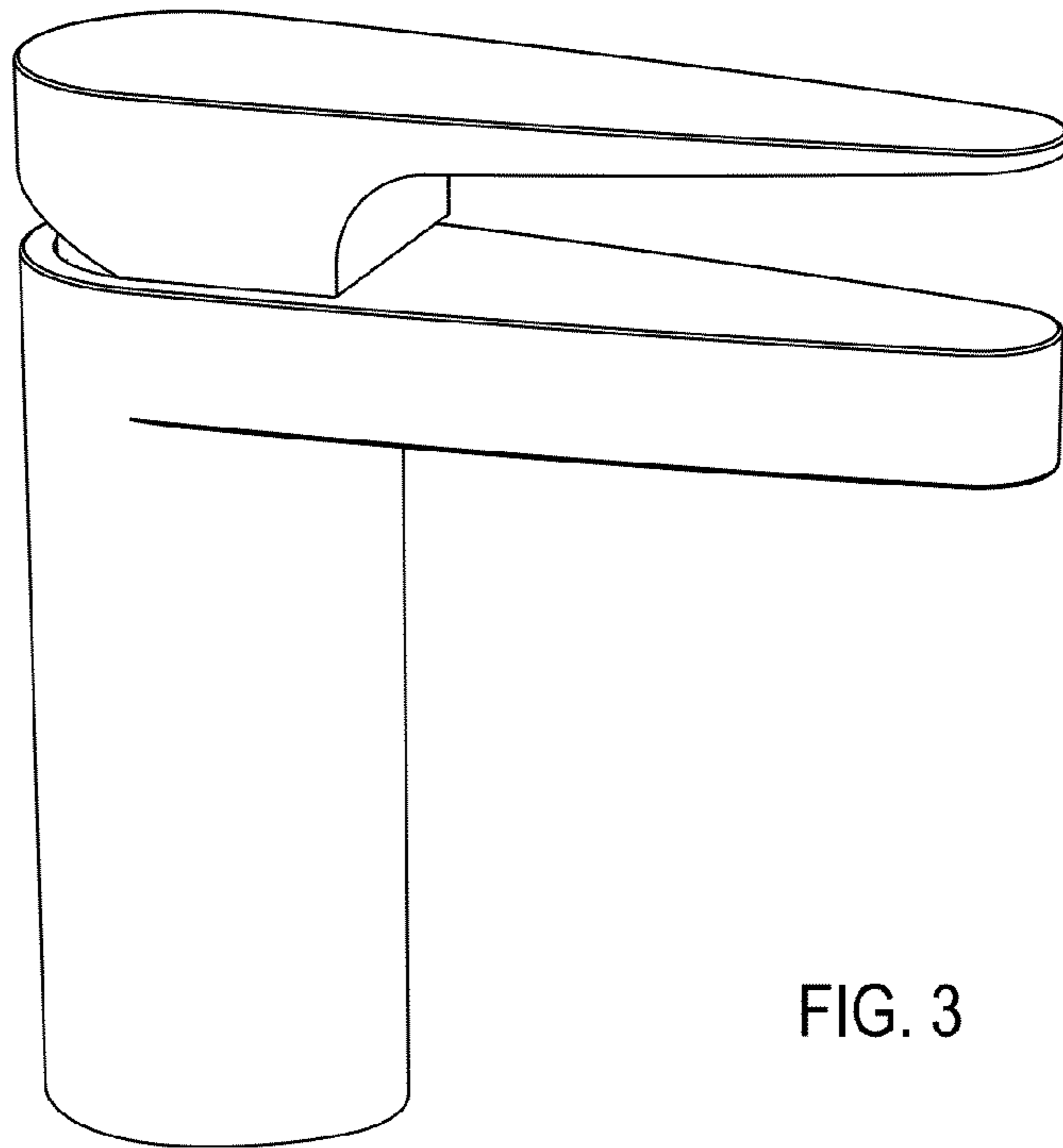


FIG. 3

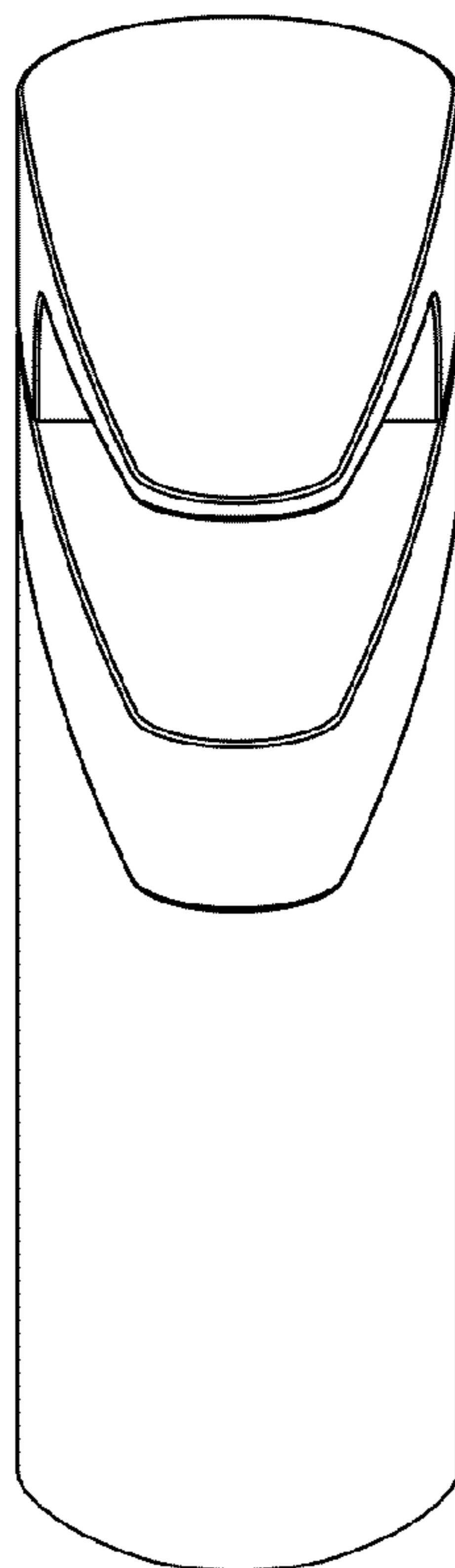


FIG. 4

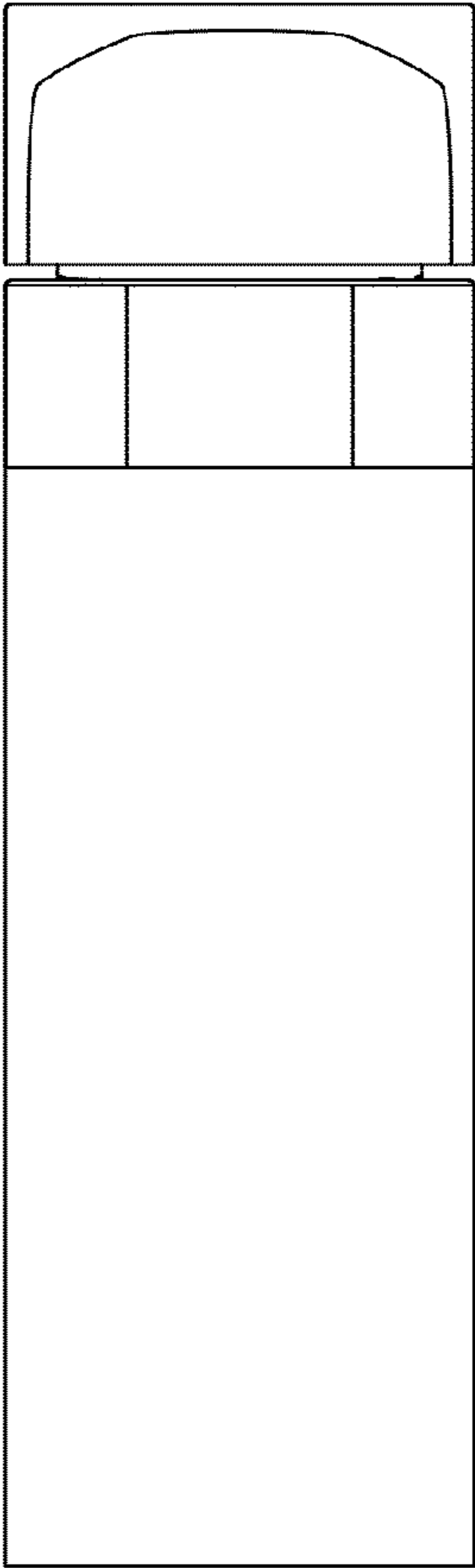


FIG. 5

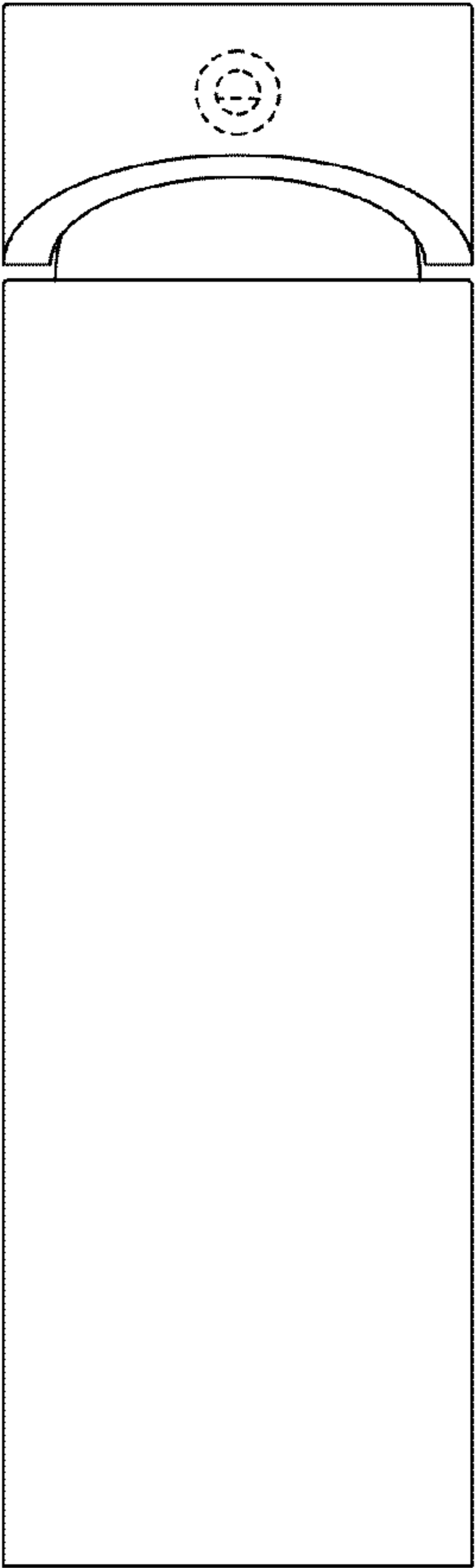


FIG. 6

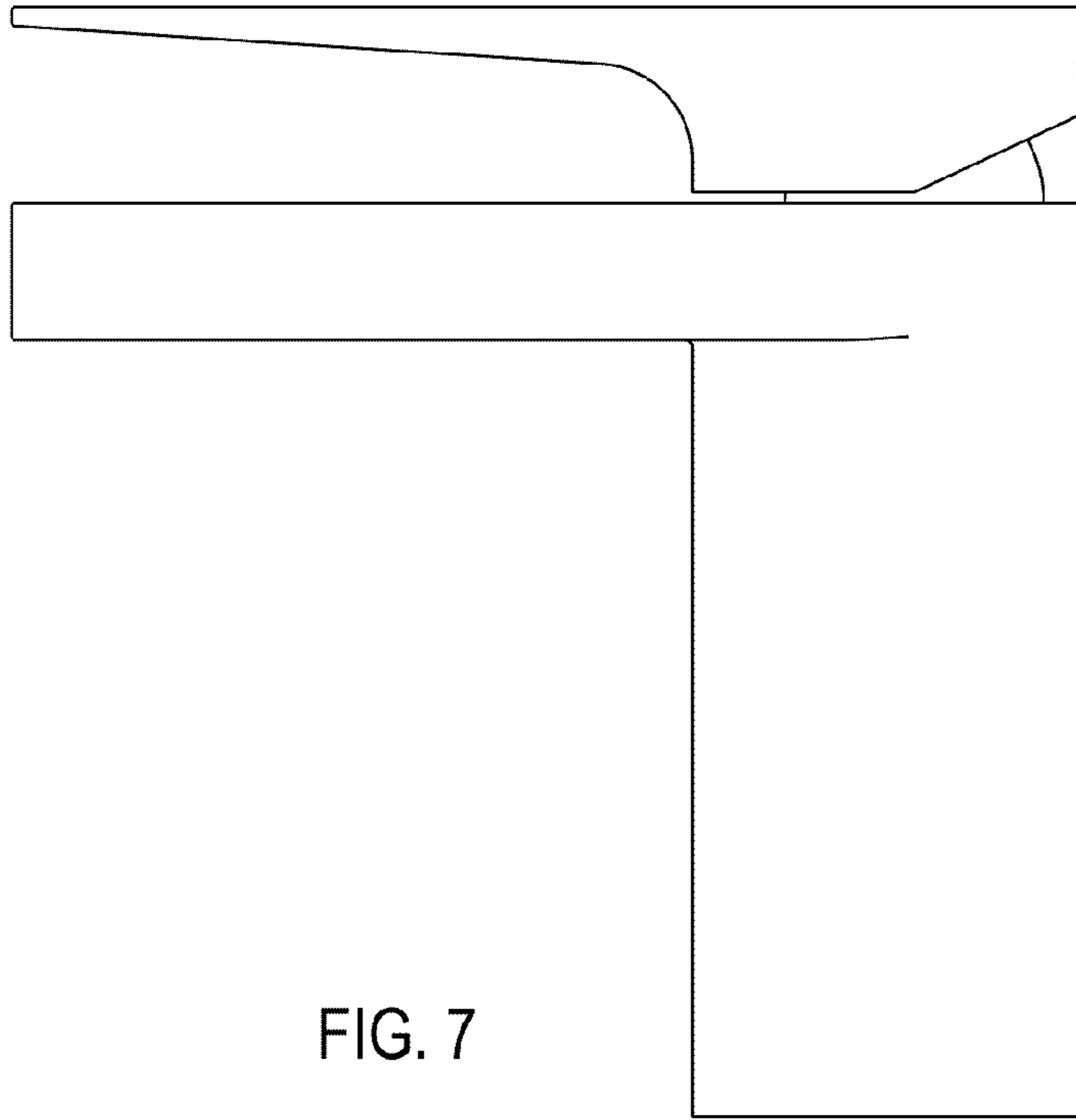


FIG. 7

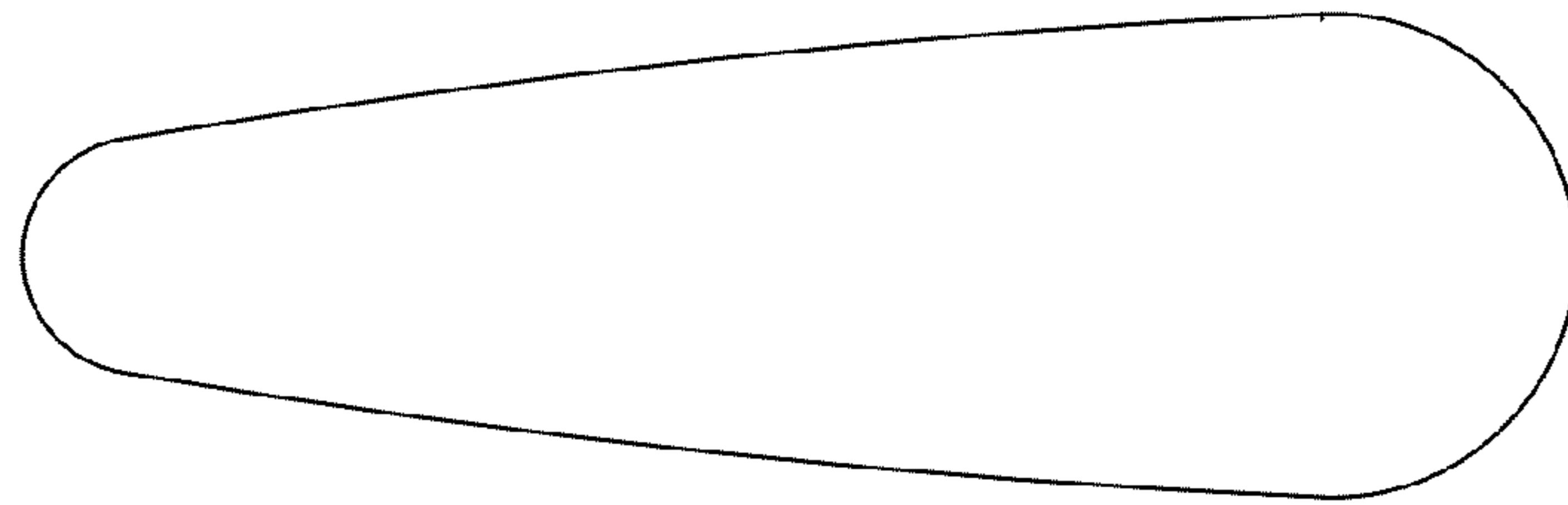


FIG. 8

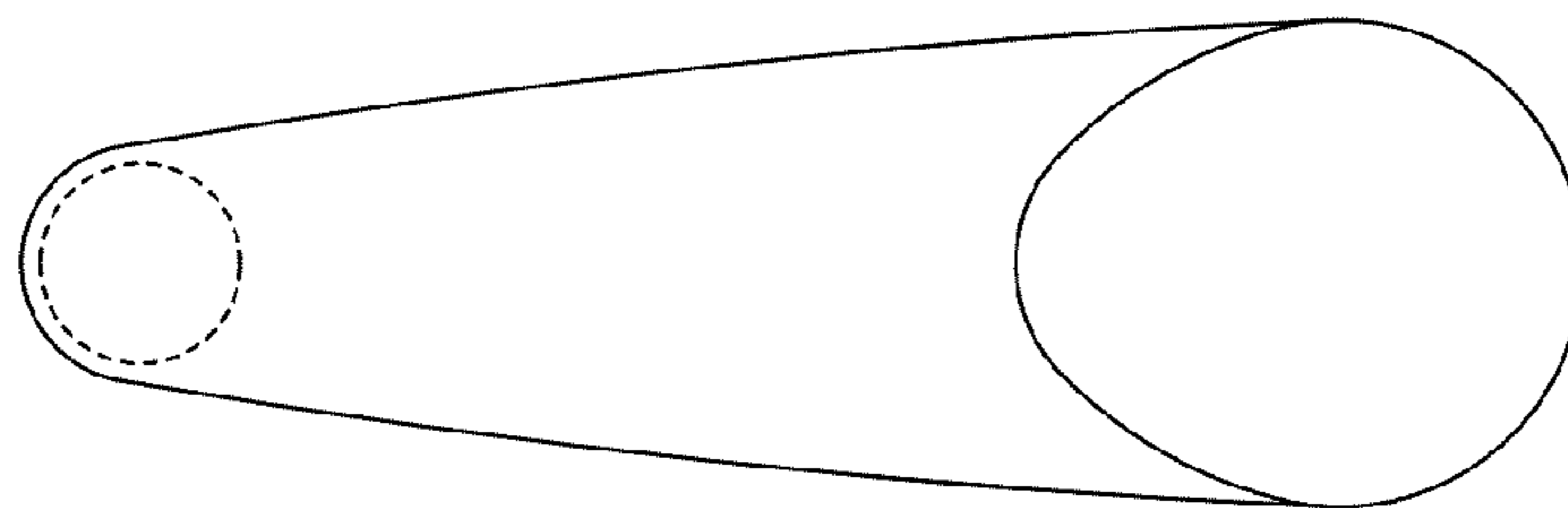


FIG. 9

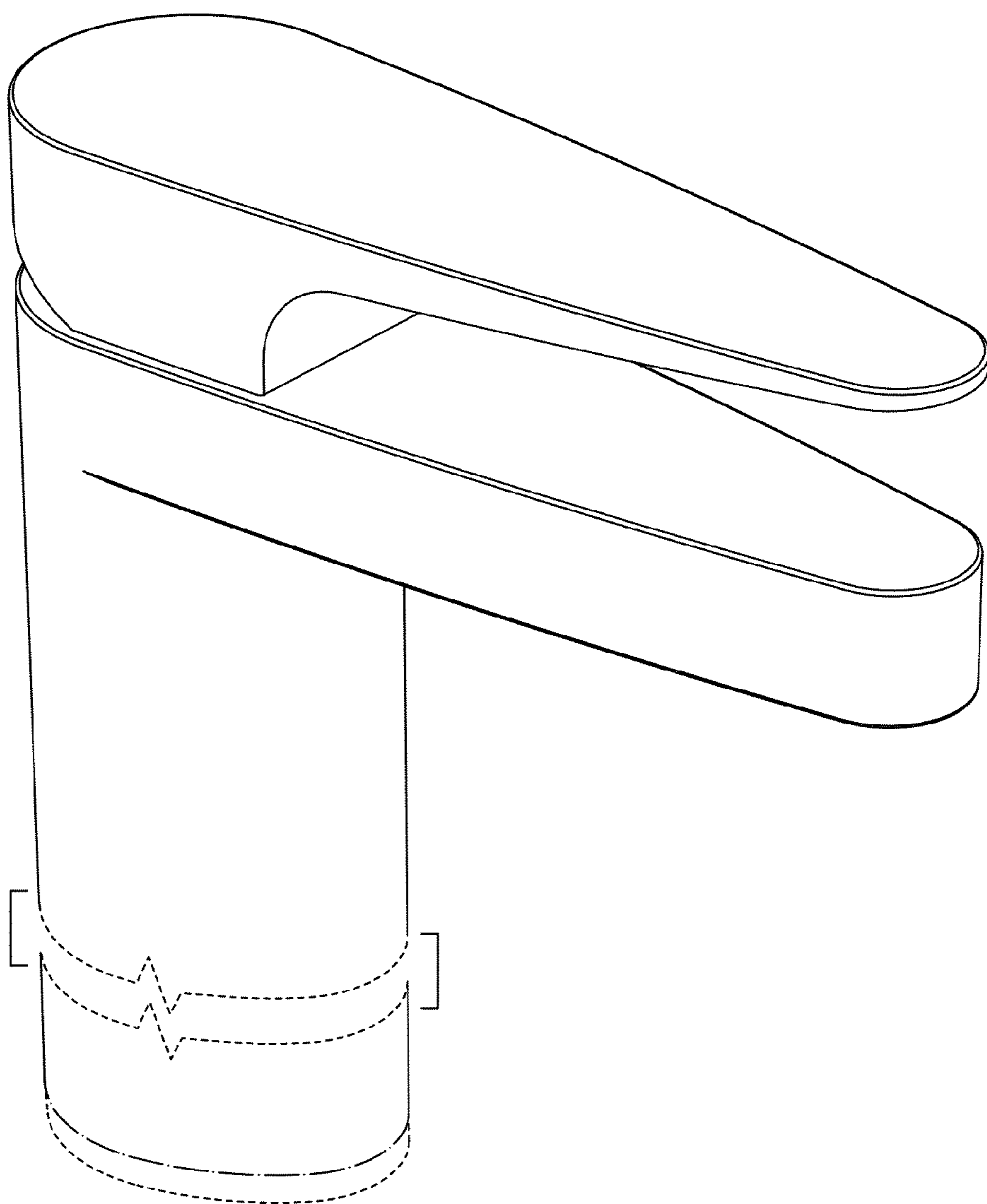


FIG. 10

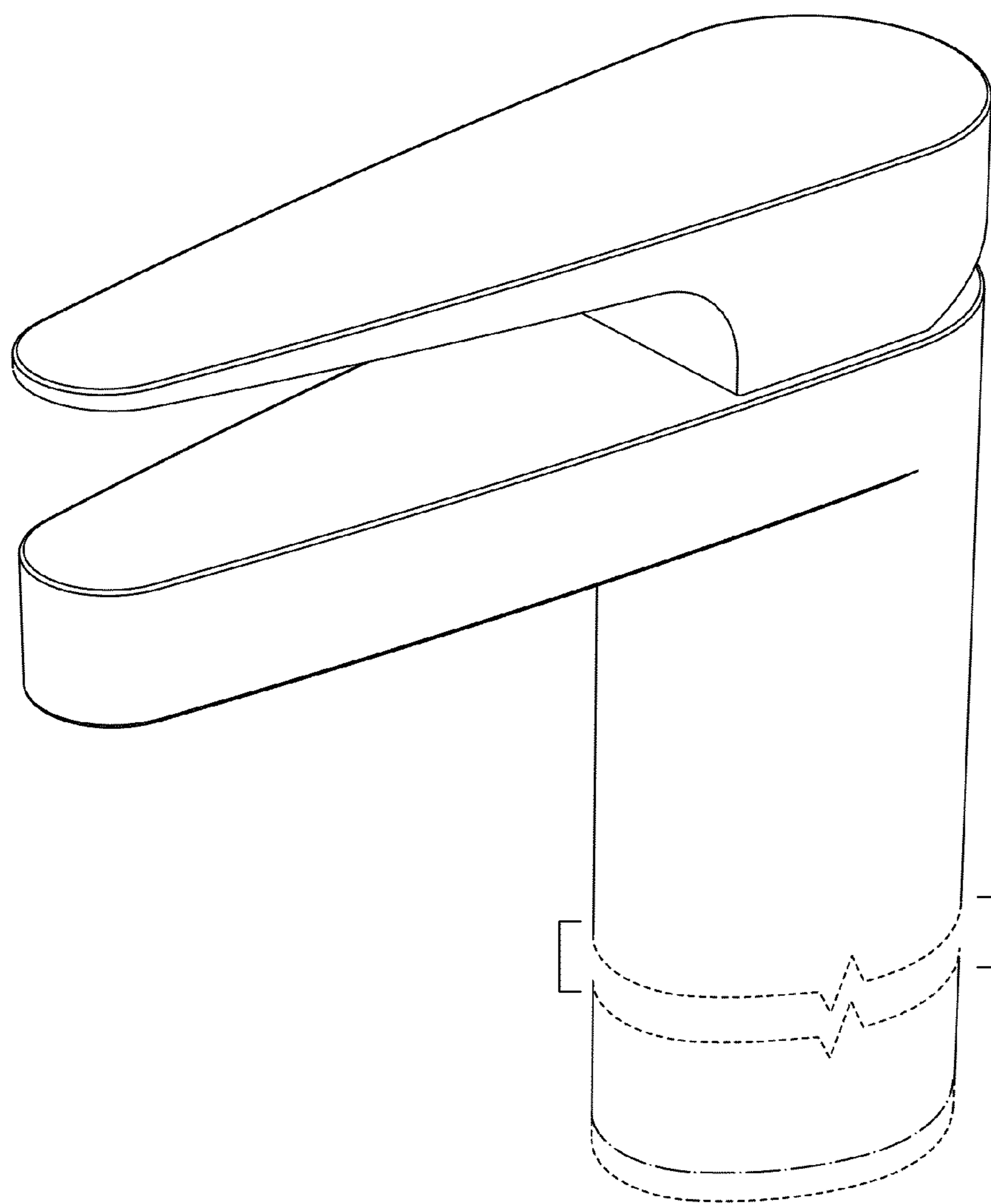


FIG. 11

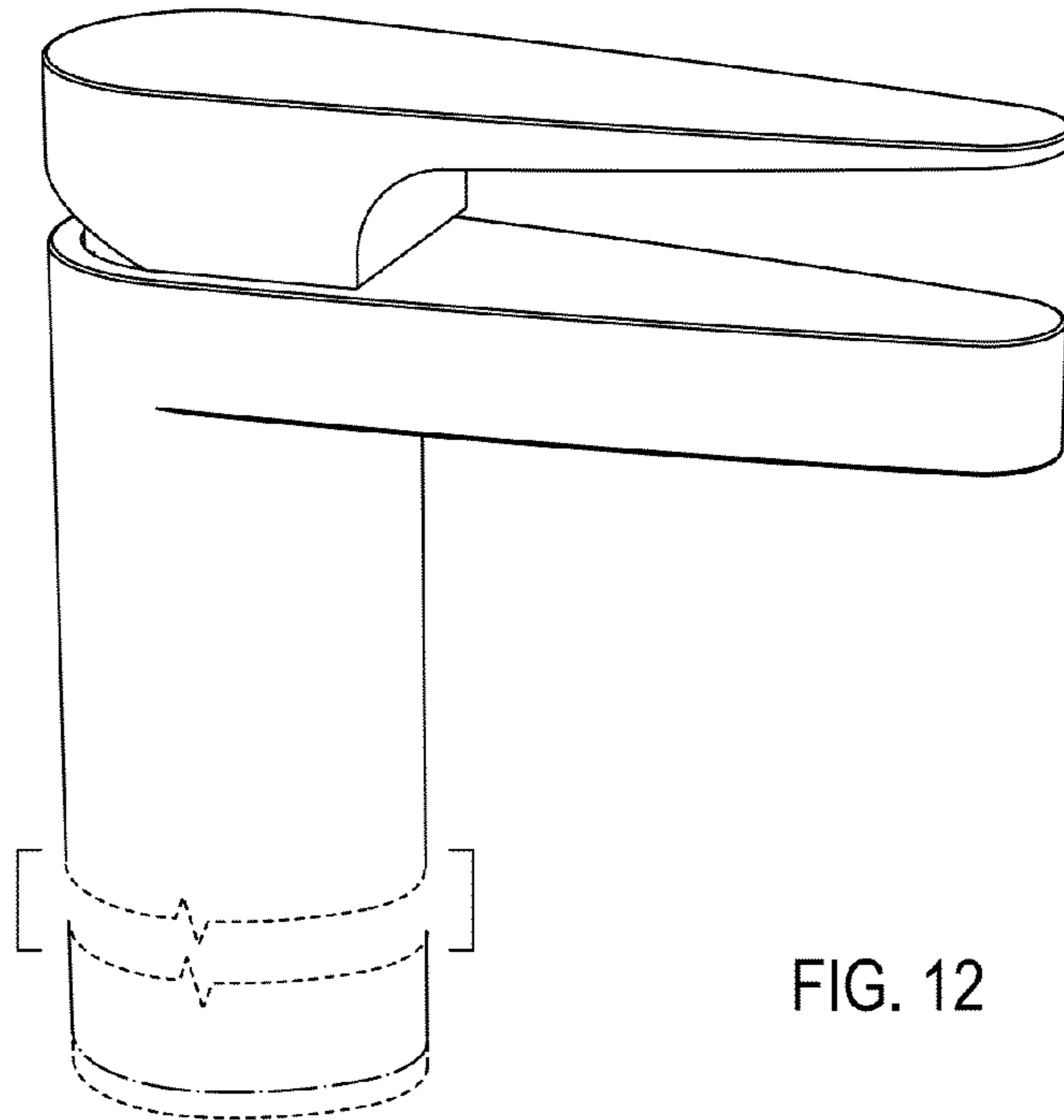


FIG. 12

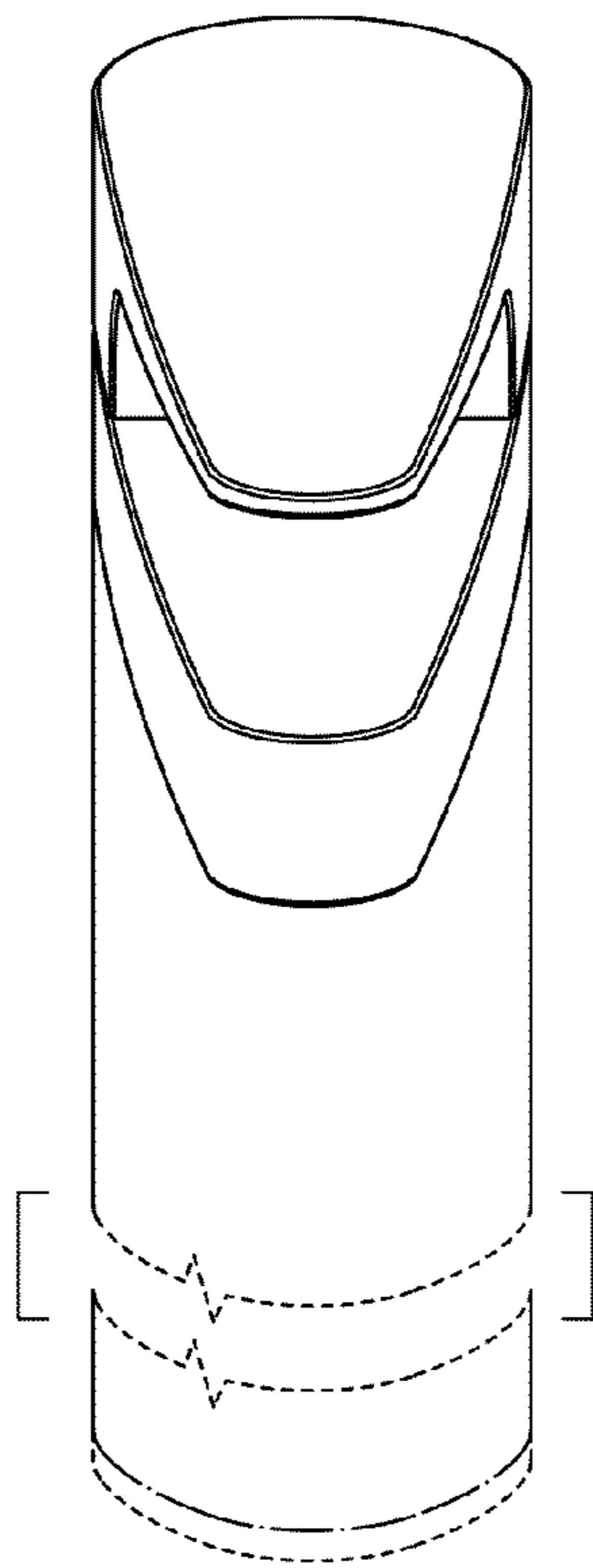


FIG. 13

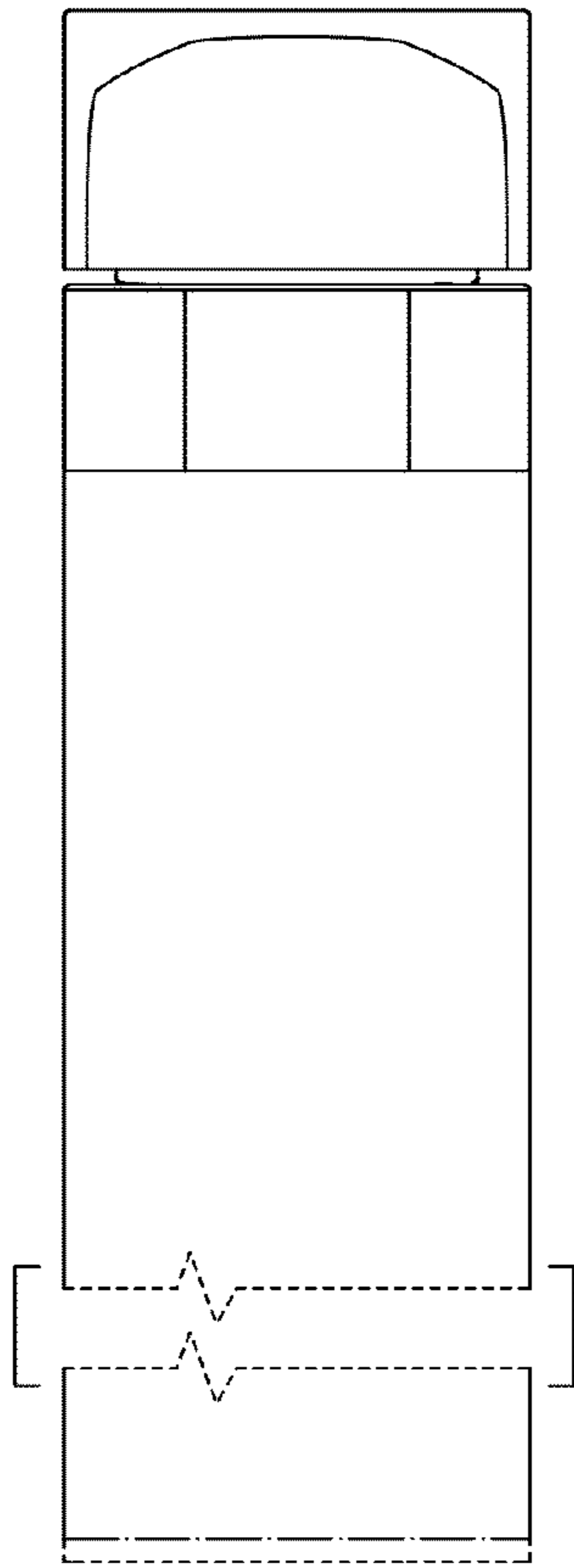


FIG. 14

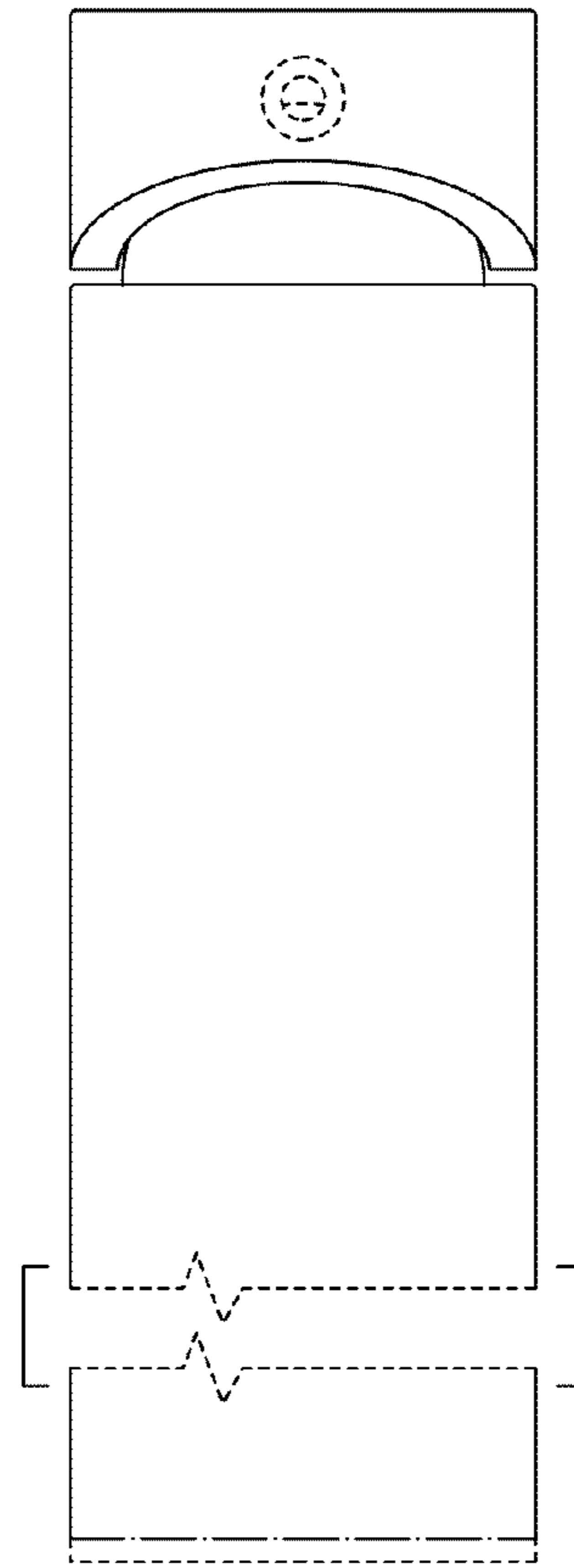


FIG. 15

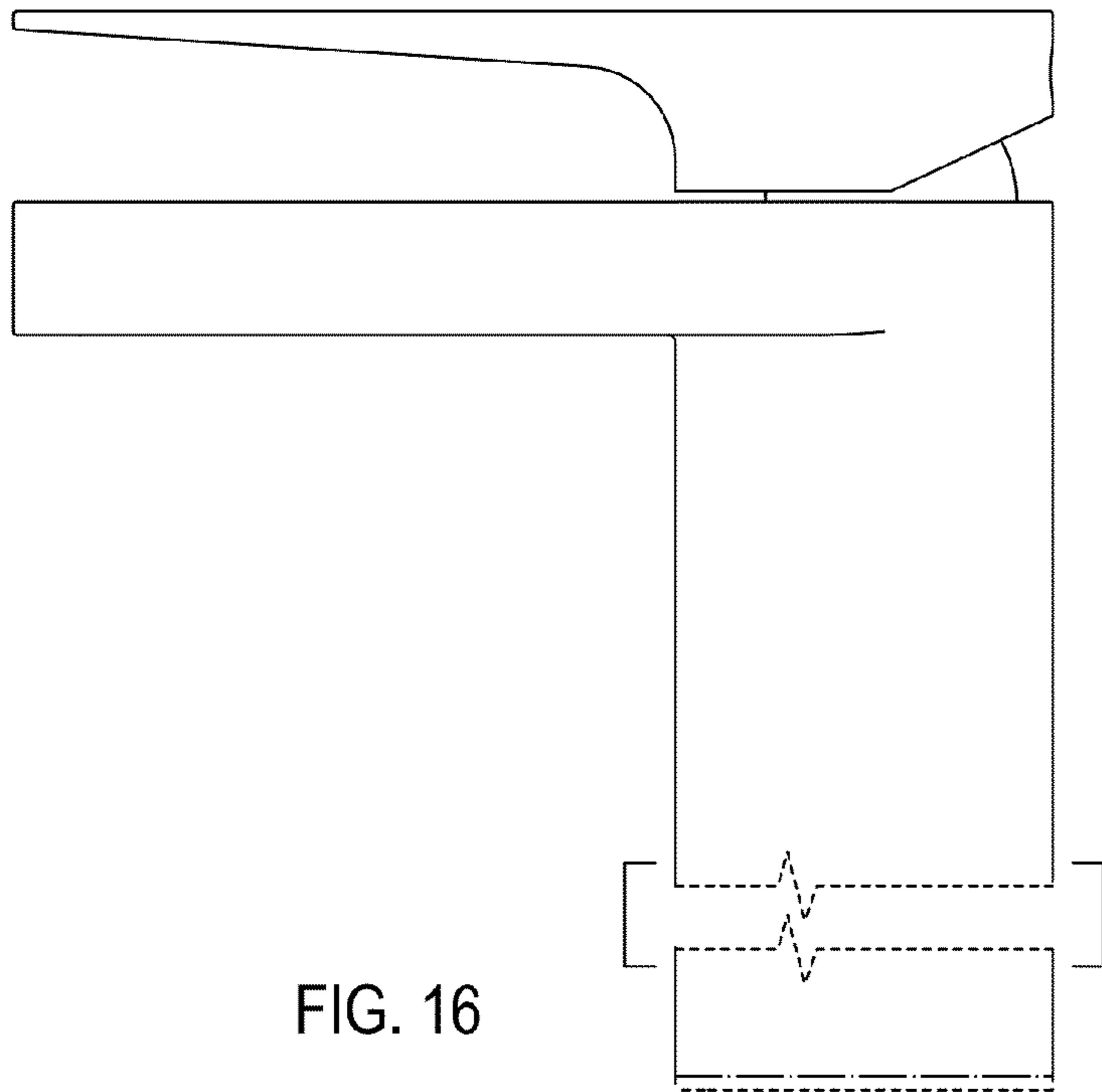


FIG. 16

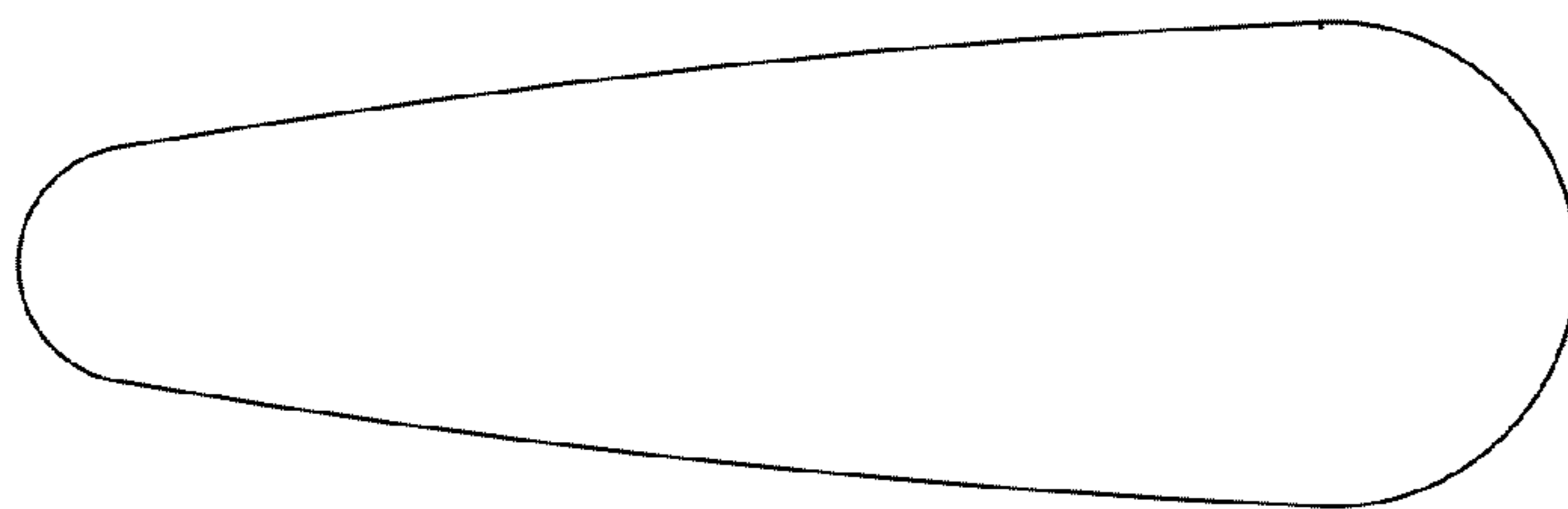


FIG. 17

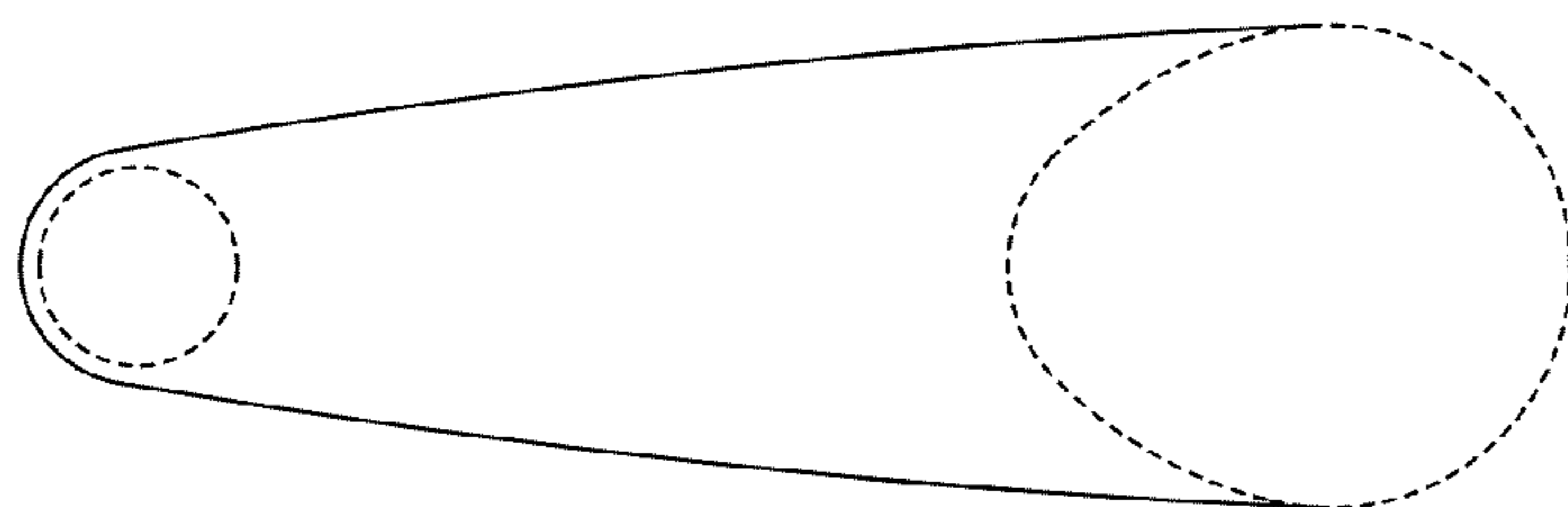


FIG. 18