



US00D689986S

(12) **United States Design Patent**
Lord

(10) **Patent No.:** **US D689,986 S**

(45) **Date of Patent:** **** *Sep. 17, 2013**

(54) **FAUCET**

(75) **Inventor:** **Judd Lord**, Fishers, IN (US)

(73) **Assignee:** **Masco Corporation of Nidiana**,
Indianapolis, IN (US)

(*) **Notice:** This patent is subject to a terminal disclaimer.

(**) **Term:** **14 Years**

(21) **Appl. No.:** **29/422,352**

(22) **Filed:** **May 18, 2012**

(51) **LOC (9) Cl.** **23-01**

(52) **U.S. Cl.**
USPC **D23/238**

(58) **Field of Classification Search**
USPC D23/238, 255, 257; 4/675-678;
137/801
See application file for complete search history.

(56) **References Cited**

U.S. PATENT DOCUMENTS

D271,704 S * 12/1983 Paul D23/238
D510,411 S * 10/2005 Lord D23/238

D517,169 S * 3/2006 Ogata et al. D23/238
D533,630 S * 12/2006 Zetsche D23/238
D541,906 S * 5/2007 Qing D23/238
D594,532 S * 6/2009 Schoenherr et al. D23/238
D661,781 S * 6/2012 McClure D23/249

* cited by examiner

Primary Examiner — Robert Delehanty

(74) *Attorney, Agent, or Firm* — Edgar A. Zarins; Nirav D. Parikh

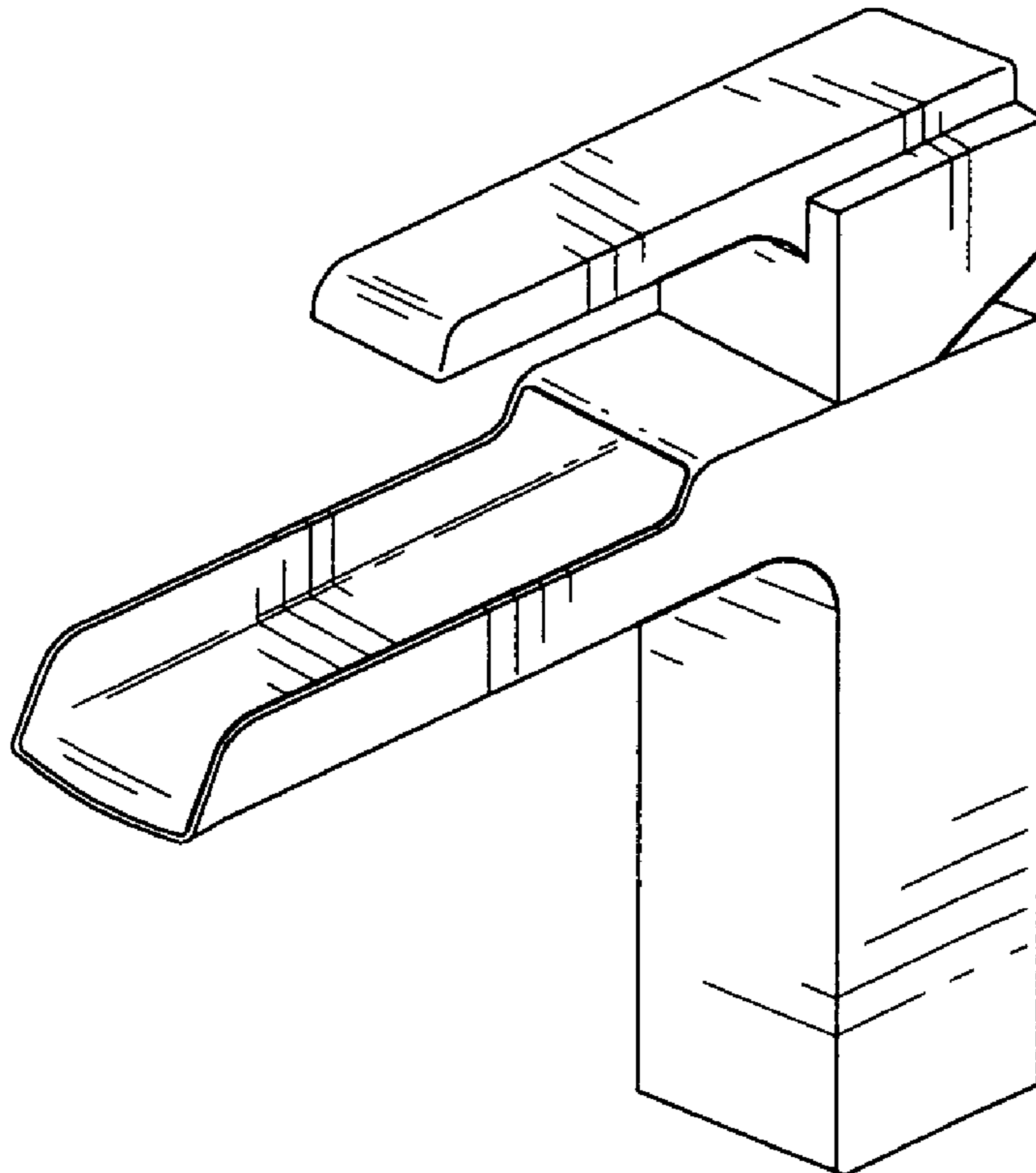
(57) **CLAIM**

The ornamental design for a faucet, as shown and described.

DESCRIPTION

FIG. 1 is a perspective view of a faucet showing my new design;
FIG. 2 is a rear perspective view thereof;
FIG. 3 is a rear view thereof;
FIG. 4 is a front view thereof;
FIG. 5 is a right side view thereof;
FIG. 6 is a left side view thereof;
FIG. 7 is a top plan view thereof; and,
FIG. 8 is a bottom view thereof.

1 Claim, 2 Drawing Sheets



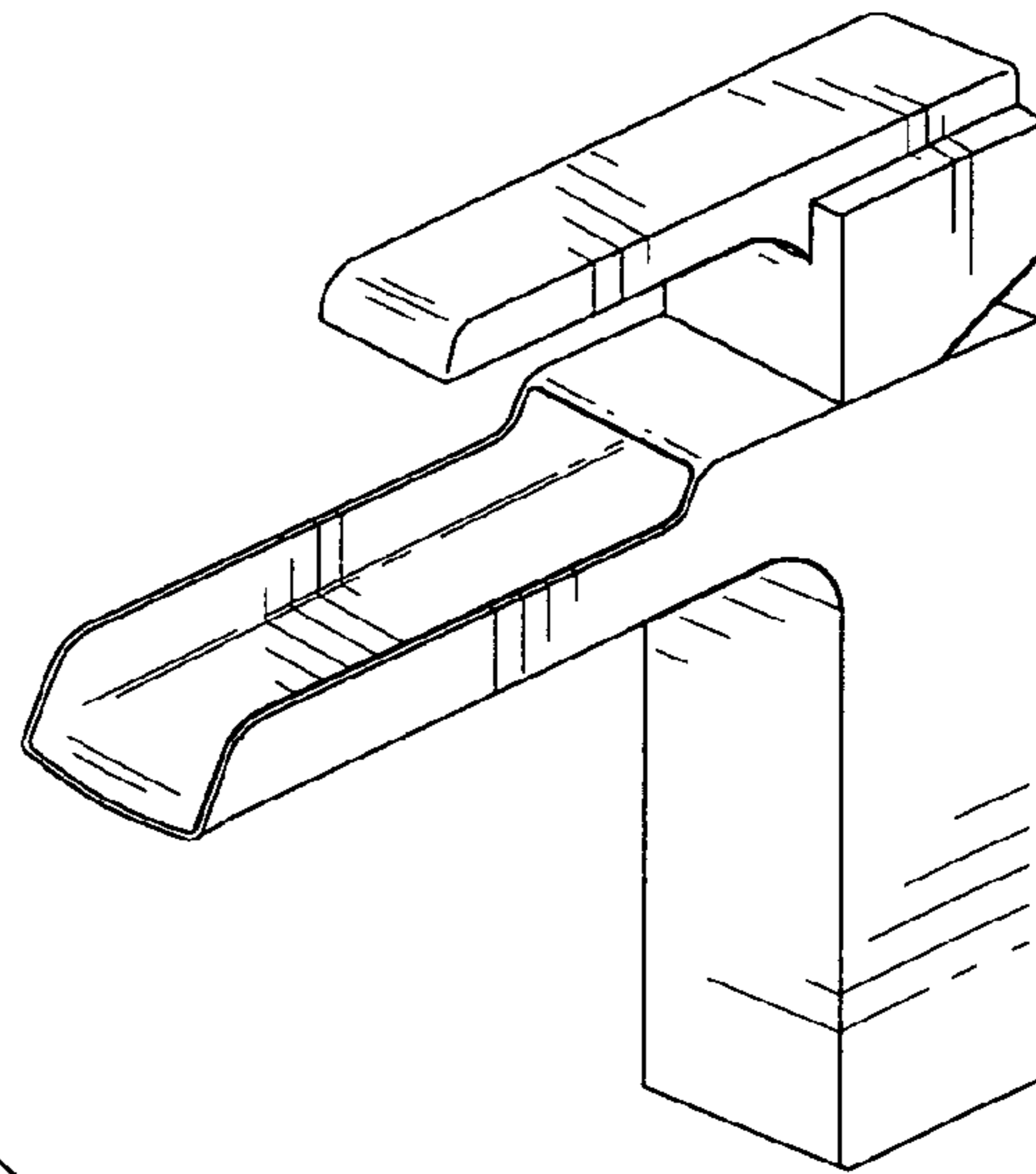


Fig-1

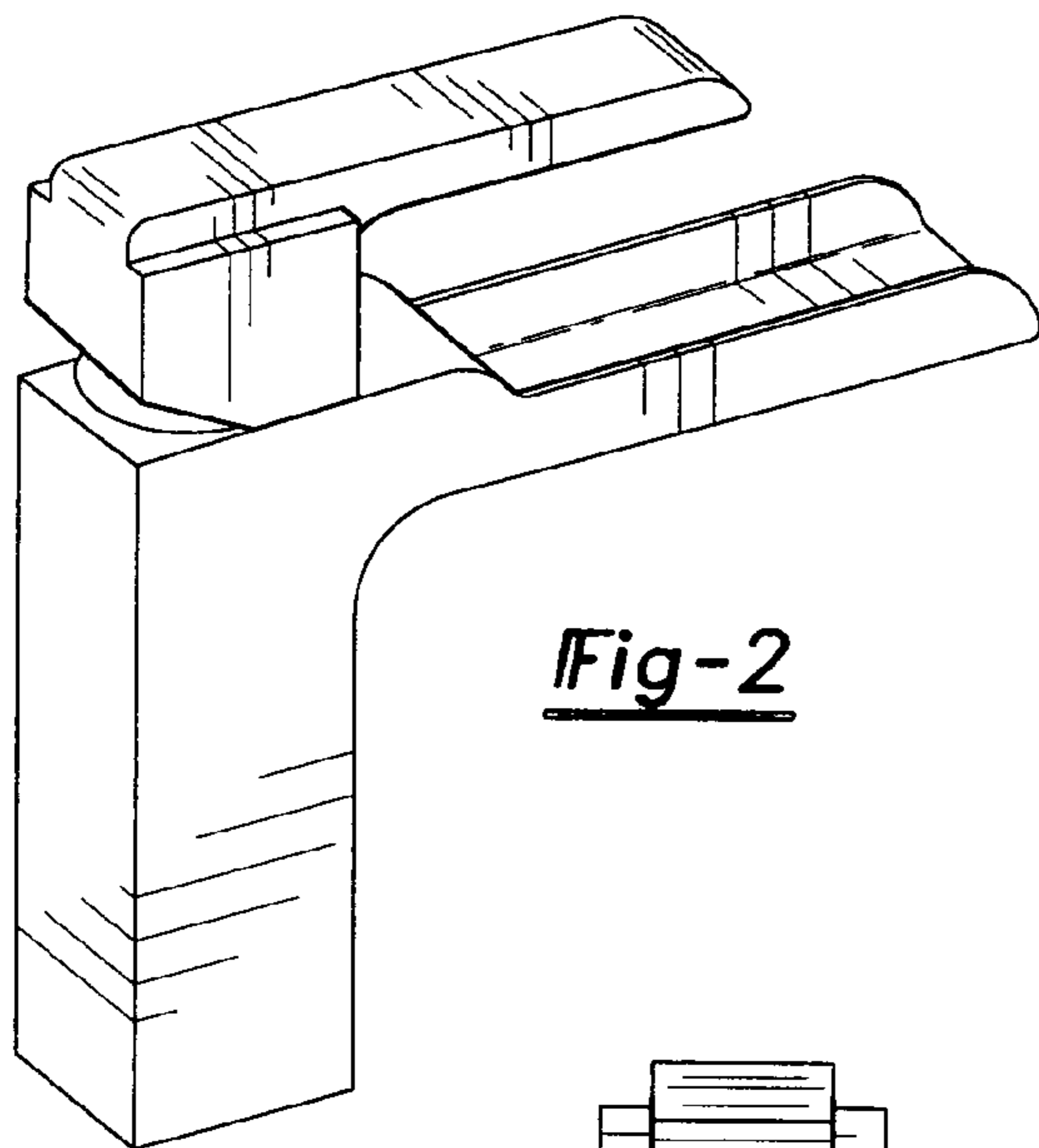


Fig-2

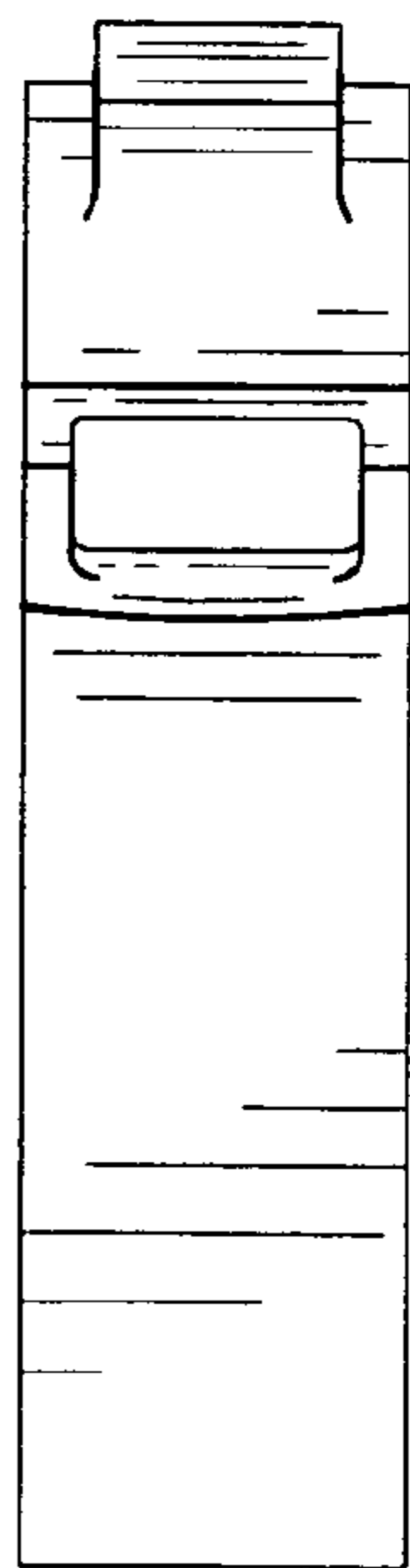


Fig-3

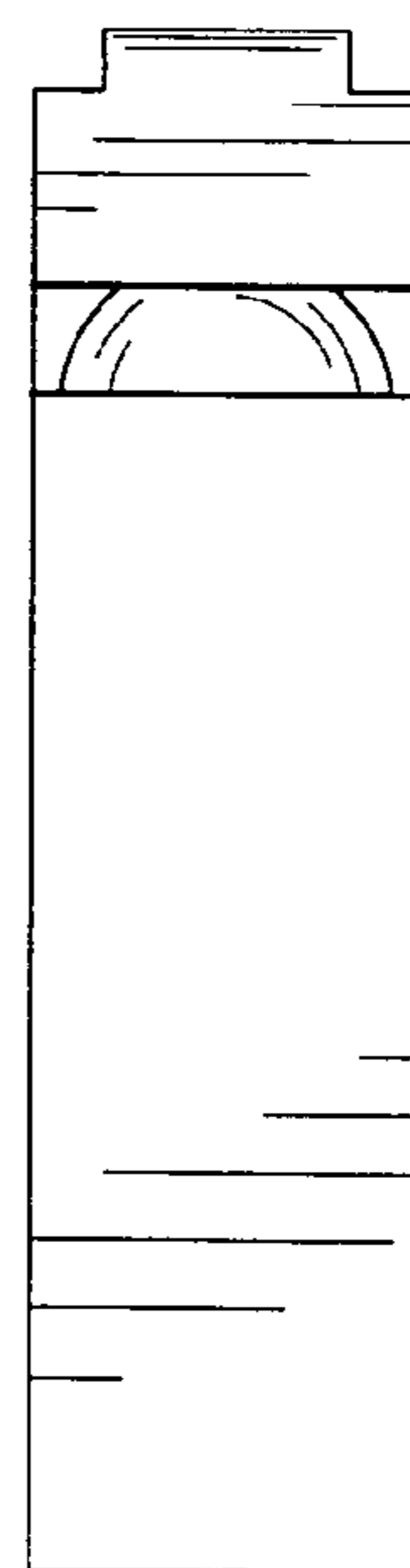


Fig-4

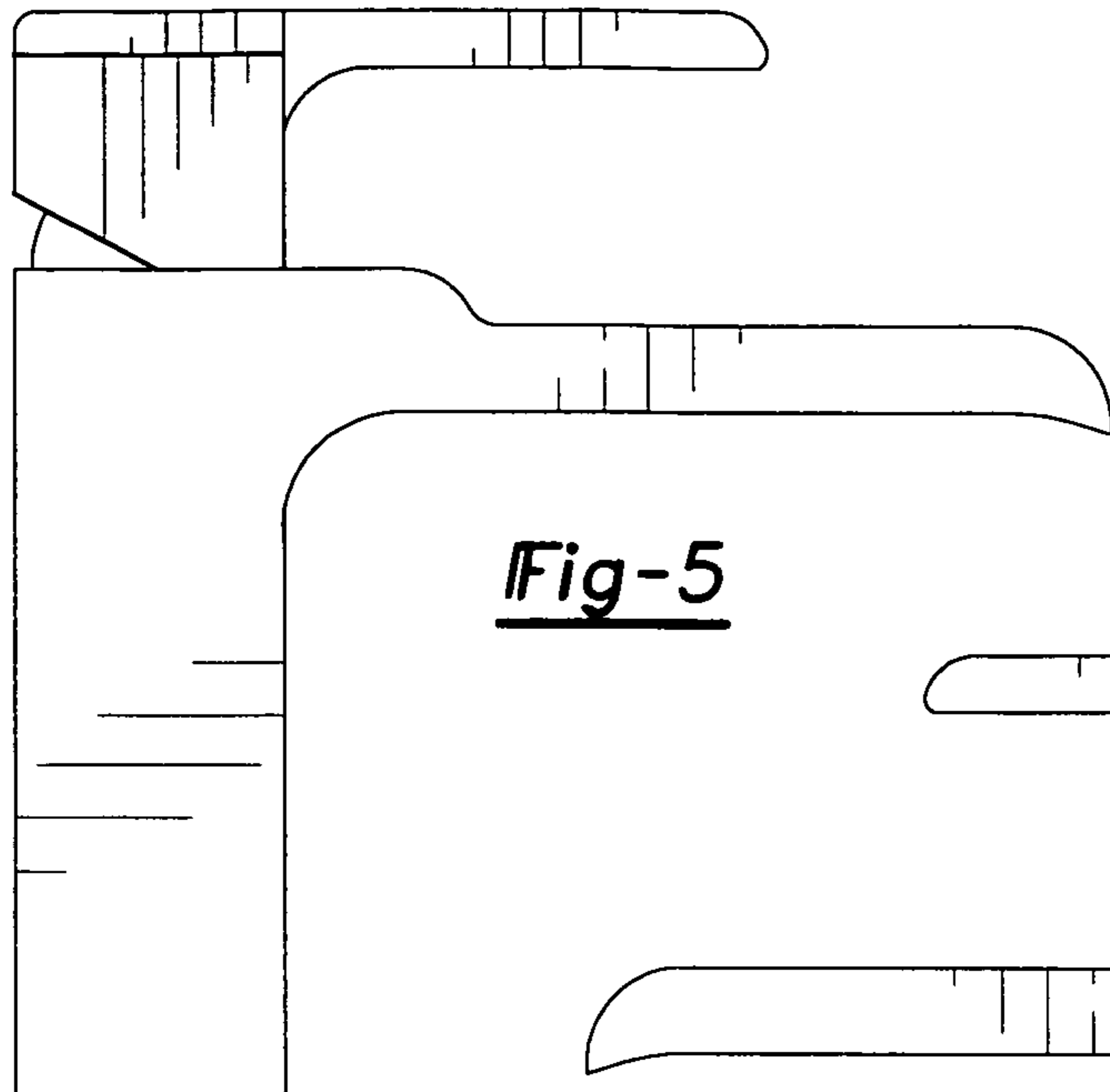


Fig-5

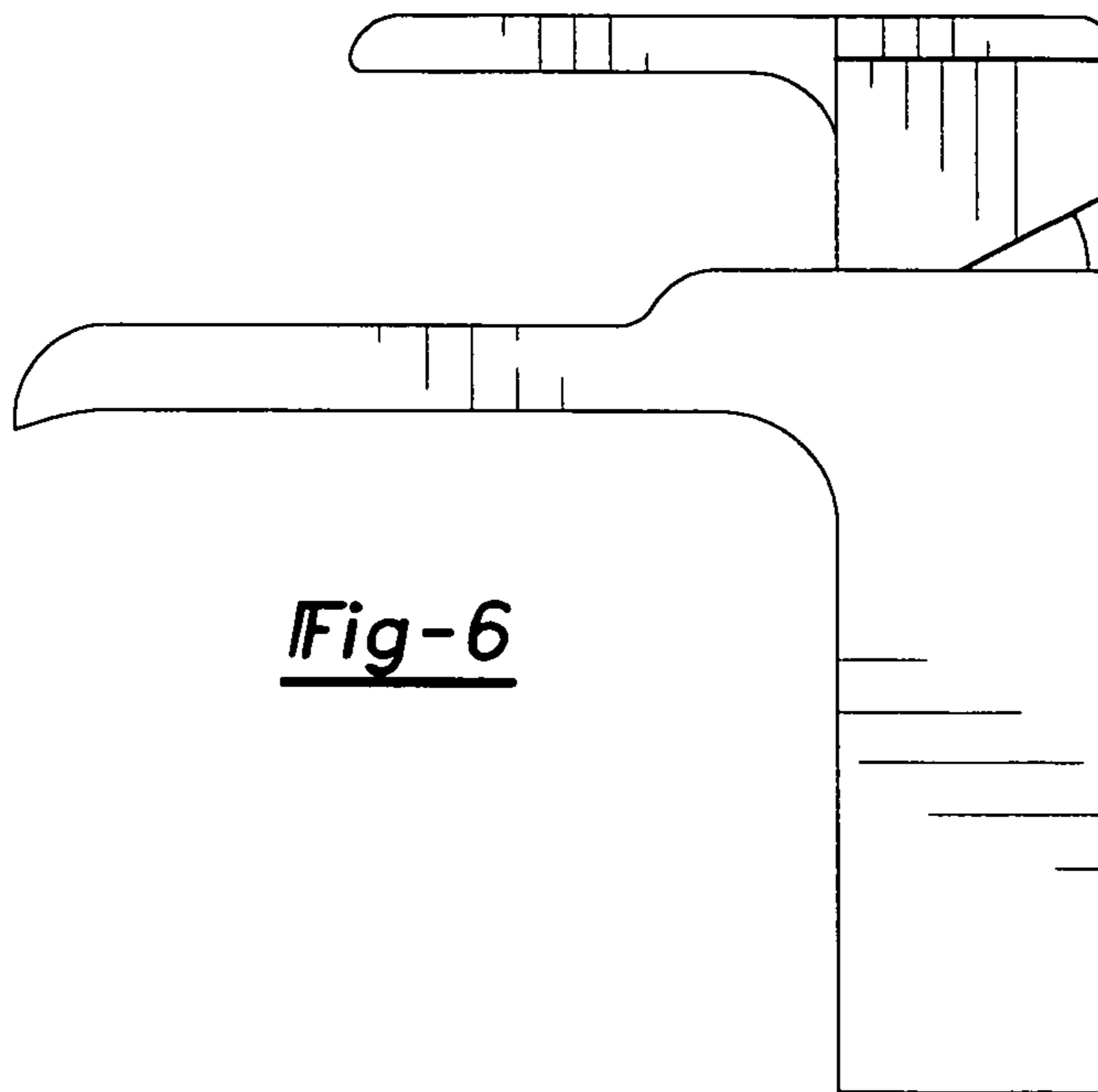


Fig-6

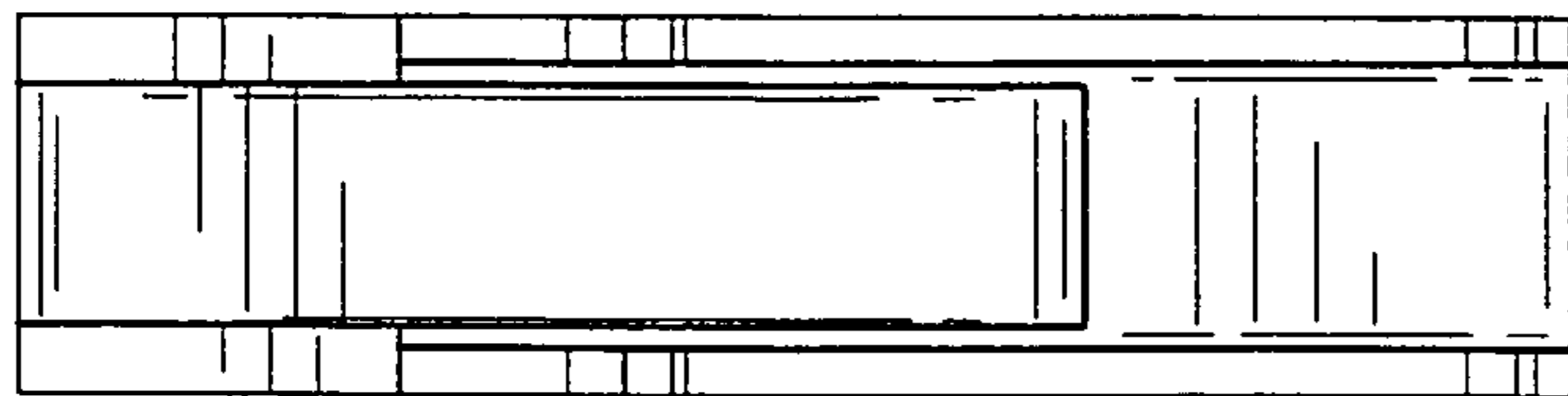


Fig-7

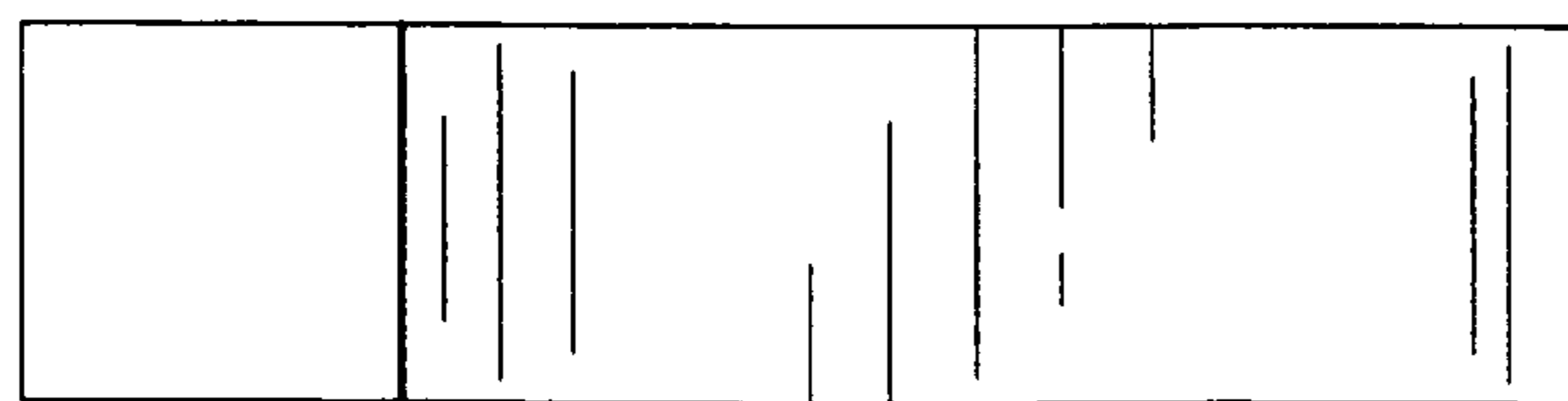


Fig-8