



US00D689985S

(12) **United States Design Patent**  
**Miyazoe et al.**

(10) **Patent No.:** **US D689,985 S**

(45) **Date of Patent:** **\*\* Sep. 17, 2013**

(54) **ELECTROMAGNETIC VALVE BASE**

(75) Inventors: **Shinji Miyazoe**, Tsukubamirai (JP);  
**Kazuhiro Noguchi**, Tsukubamirai (JP)

(73) Assignee: **SMC Corporation**, Chiyoda-ku, Tokyo  
(JP)

(\*\*) Term: **14 Years**

(21) Appl. No.: **29/404,475**

(22) Filed: **Oct. 21, 2011**

(30) **Foreign Application Priority Data**

Jul. 20, 2011 (JP) ..... 2011-016561

(51) **LOC (9) Cl.** ..... **23-01**

(52) **U.S. Cl.**  
USPC ..... **D23/233**

(58) **Field of Classification Search**  
USPC ..... D23/233-237, 244-249; D15/5,  
D15/143, 1, 199; 251/129.01, 129.15, 596.13,  
251/596.16, 15, 130, 219, 331, 129.04;  
137/554, 557, 560, 861, 882, 884, 269, 270,  
137/271, 343, 625.64  
See application file for complete search history.

(56) **References Cited**

**U.S. PATENT DOCUMENTS**

D521,597 S \* 5/2006 Nimberger ..... D23/233  
D545,945 S \* 7/2007 Miyazoe ..... D23/233  
D606,629 S \* 12/2009 Tokumoto ..... D23/233  
D616,695 S \* 6/2010 Grey et al. .... D7/340

D616,964 S \* 6/2010 Miyazoe et al. .... D23/233  
D621,911 S \* 8/2010 Miyazoe et al. .... D23/233  
D639,825 S \* 6/2011 Murakami et al. .... D15/5  
D656,224 S \* 3/2012 Roys ..... D23/233  
D667,532 S \* 9/2012 Asaba ..... D23/233  
D670,790 S \* 11/2012 Tokumoto ..... D23/233  
D681,164 S \* 4/2013 Asaba ..... D23/233  
D681,782 S \* 5/2013 Bohm et al. .... D23/233

\* cited by examiner

*Primary Examiner* — Cynthia Ramirez

(74) *Attorney, Agent, or Firm* — Yokoi & Co., U.S.A., Inc.;  
Toshiyuki Yokoi

(57) **CLAIM**

The ornamental design for an electromagnetic valve base, as shown and described.

**DESCRIPTION**

FIG. 1 shows a front view of an electromagnetic valve base showing my new design;  
FIG. 2 shows a rear view thereof;  
FIG. 3 shows a right side view thereof;  
FIG. 4 shows a left side view thereof;  
FIG. 5 shows a top view thereof;  
FIG. 6 shows a bottom view thereof; and  
FIG. 7 shows a top, front and left side perspective view thereof; and,  
FIG. 8 shows a bottom, rear and right side perspective view thereof.  
The portions of the design shown in broken lines in FIGS. 1, 2, 5, 7 and 8 are for the purpose of illustrating the environment only and form no part of the claimed design.

**1 Claim, 5 Drawing Sheets**

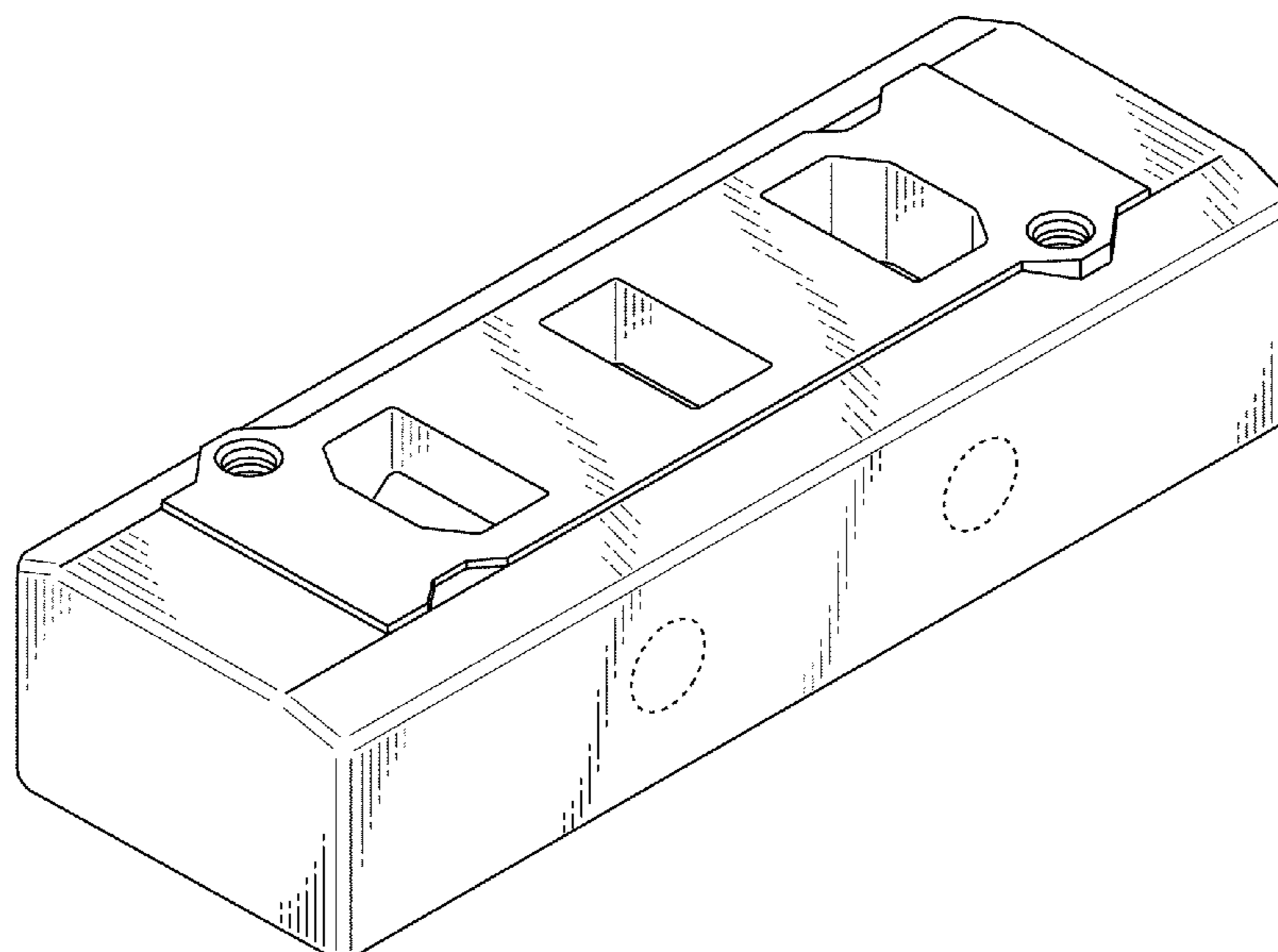


FIG. 1

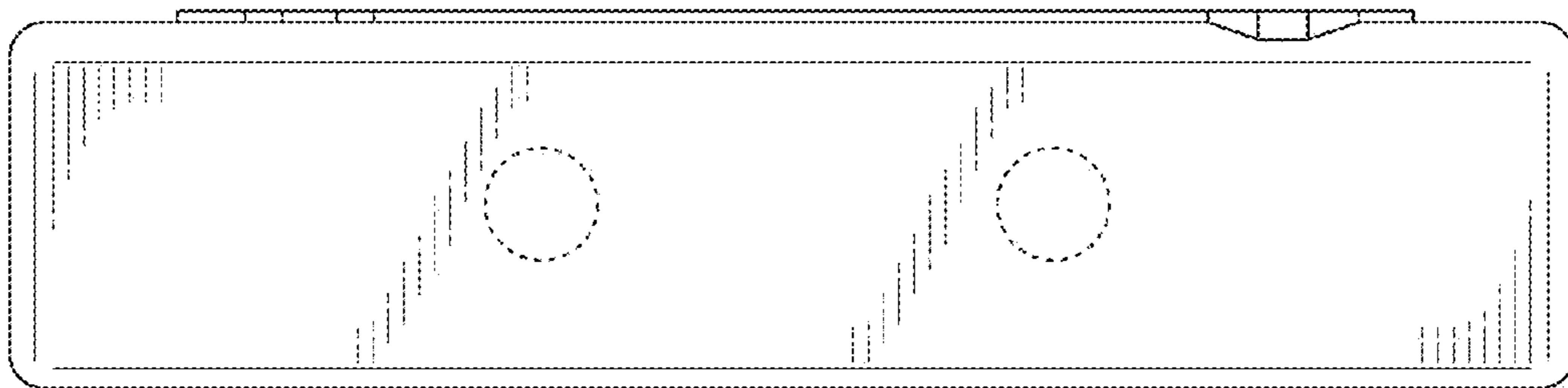


FIG. 2

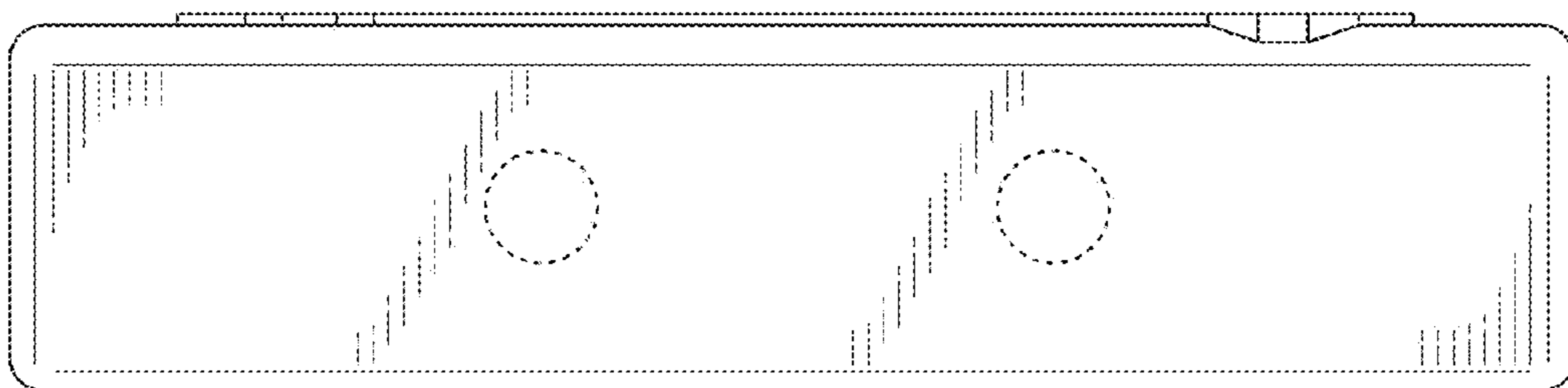


FIG. 3

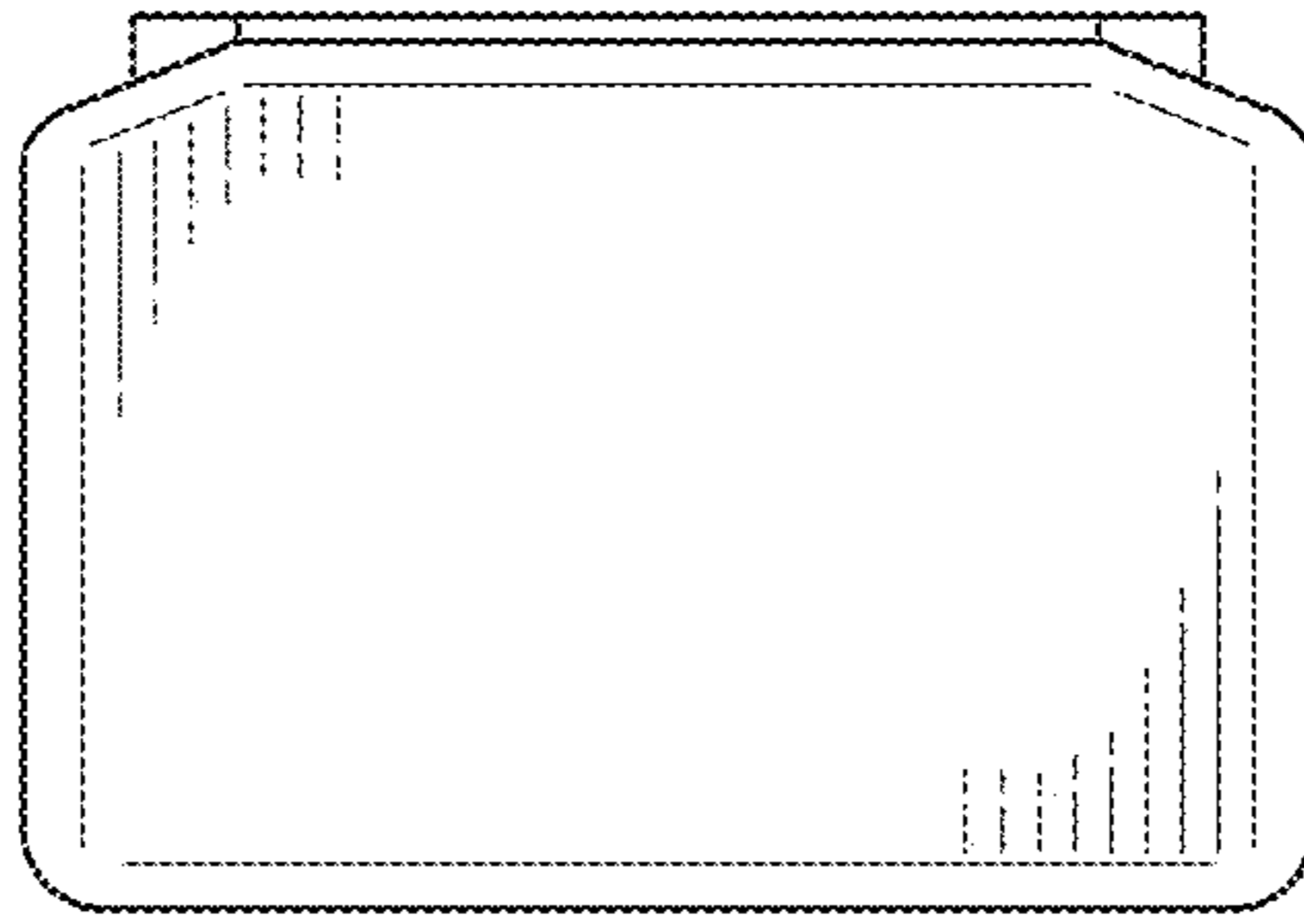


FIG. 4

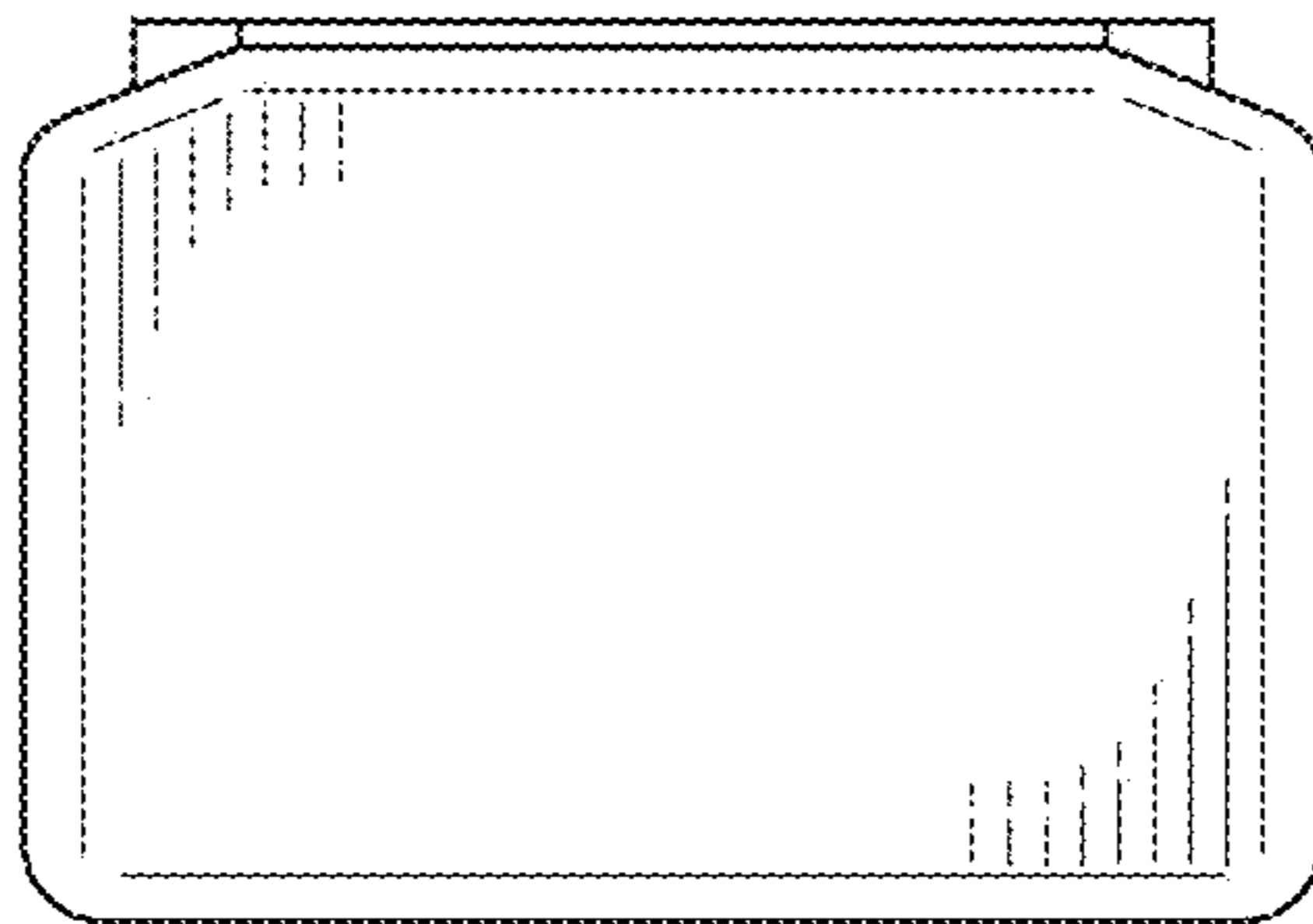


FIG. 5

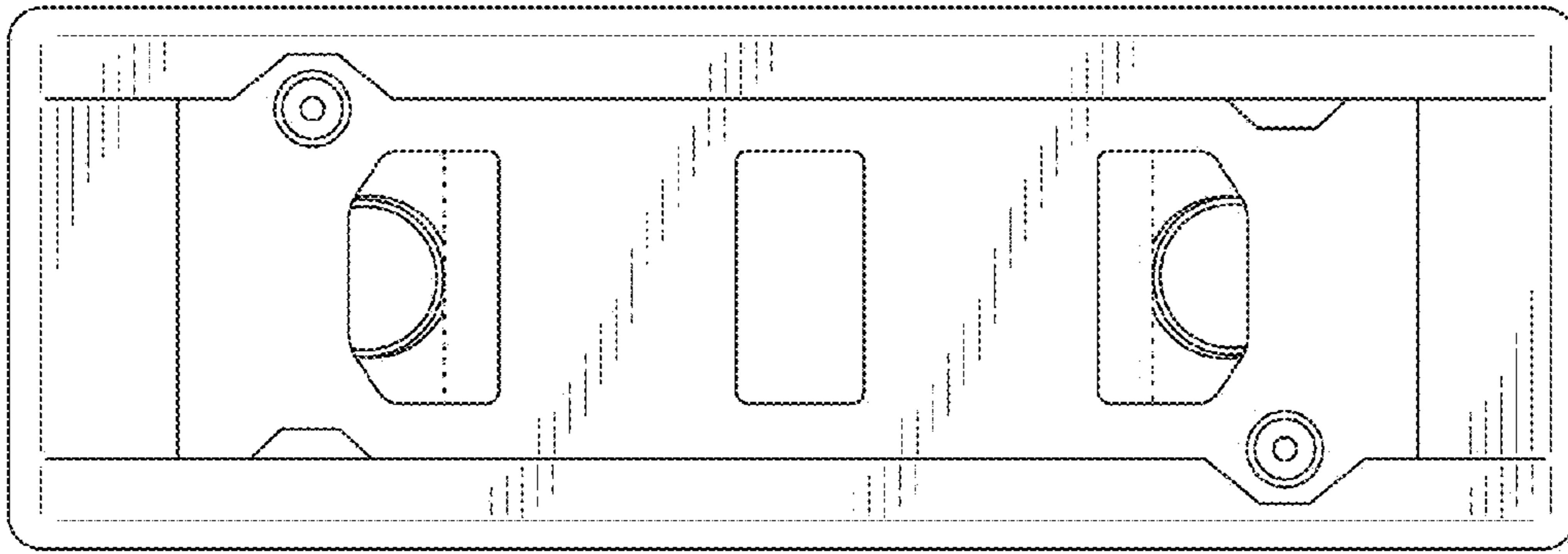


FIG. 6

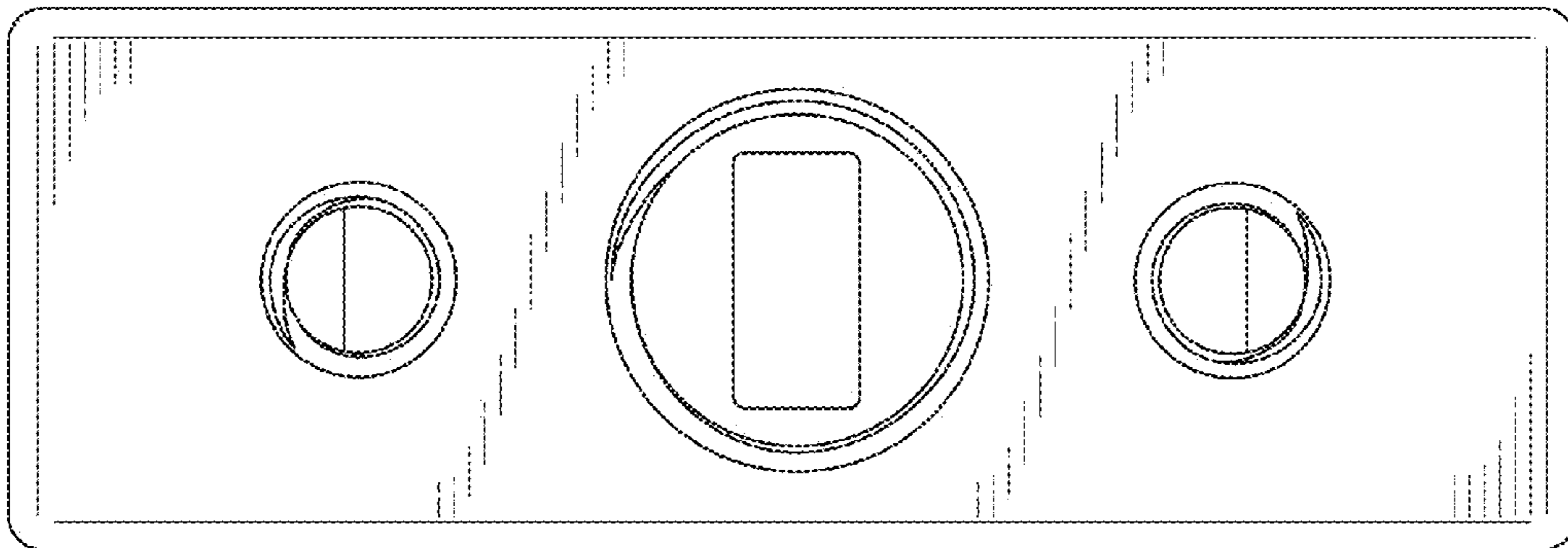


FIG. 7

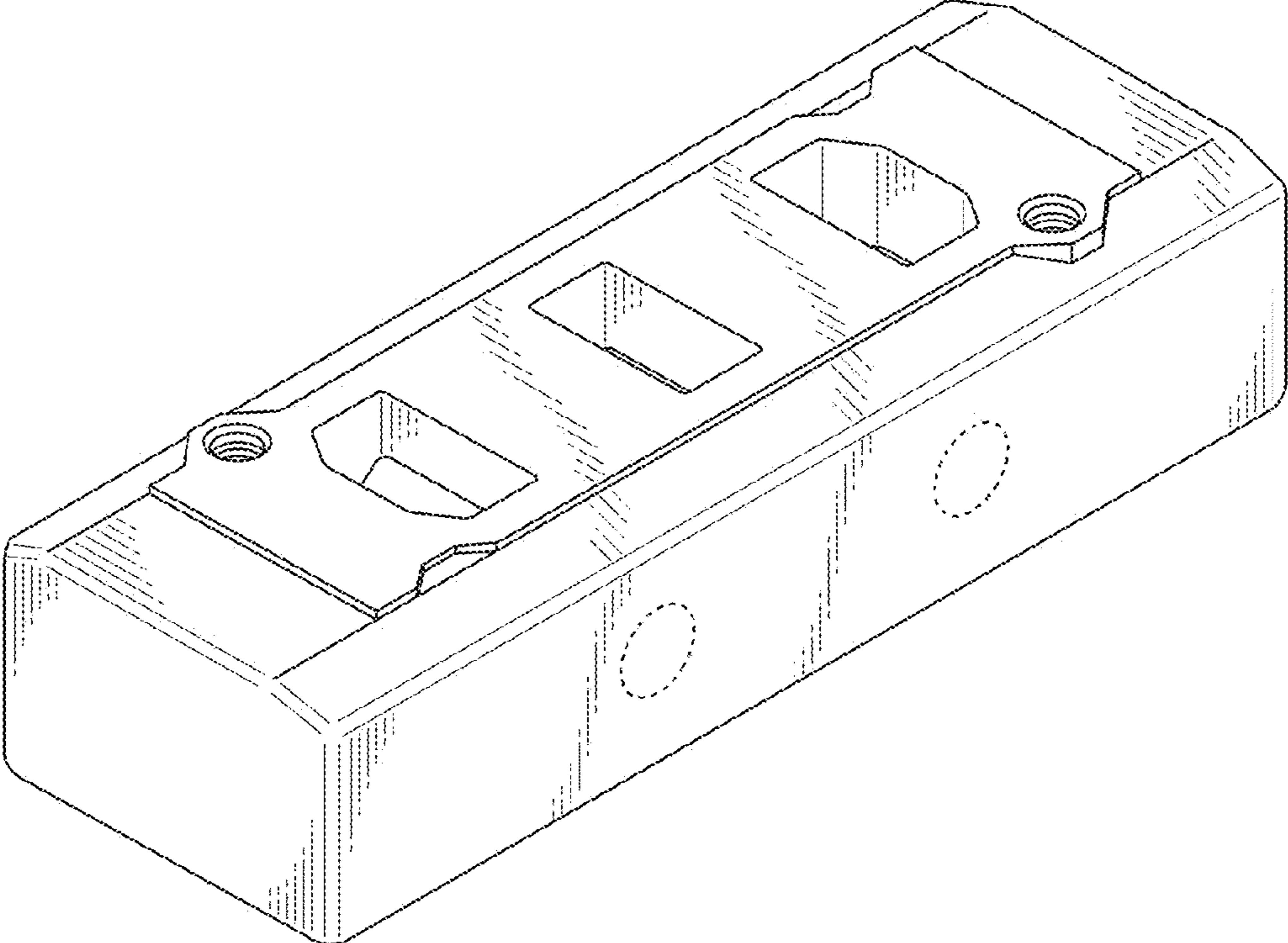


FIG. 8

