



US00D689983S

(12) **United States Design Patent**  
**Wilson**

(10) **Patent No.:** **US D689,983 S**

(45) **Date of Patent:** **\*\* Sep. 17, 2013**

(54) **SHOWER ASSEMBLY**

(71) Applicant: **Kohler Co.**, Kohler, WI (US)

(72) Inventor: **John M. Wilson**, Sheboygan, WI (US)

(73) Assignee: **Kohler Co.**, Kohler, WI (US)

(\*\*) Term: **14 Years**

(21) Appl. No.: **29/445,744**

(22) Filed: **Feb. 15, 2013**

**Related U.S. Application Data**

(62) Division of application No. 29/426,293, filed on Jul. 3, 2011, which is a division of application No. 29/381,835, filed on Dec. 23, 2010, now Pat. No. Des. 665,873.

(51) **LOC (9) Cl.** ..... **23-01**

(52) **U.S. Cl.**  
USPC ..... **D23/228; D23/304**

(58) **Field of Classification Search**  
USPC ..... D23/213, 214, 228-230, 304; 239/280;  
4/567, 552, 596, 597, 601, 605, 615, 900  
See application file for complete search history.

(56) **References Cited**

**U.S. PATENT DOCUMENTS**

1,847,917 A 3/1932 Binns  
4,523,604 A 6/1985 Hutto

(Continued)

**FOREIGN PATENT DOCUMENTS**

EM 000408349-0001 9/2005  
EM 000408349-0002 9/2005

(Continued)

**OTHER PUBLICATIONS**

Raindance Connect Product Data Sheet, Hansgrohe USA, Known at least as early as Nov. 8, 2010, Retrieved from Internet on Mar. 21,

2012 <URL: [http://www.hansgrohe-usa.com/pdf/datasheet.pdf?model=27164USA&category=C0000000000109&lang=en\\_US](http://www.hansgrohe-usa.com/pdf/datasheet.pdf?model=27164USA&category=C0000000000109&lang=en_US)>.

(Continued)

*Primary Examiner* — Robin V Webster

(74) *Attorney, Agent, or Firm* — Michael Best & Friedrich LLP

(57) **CLAIM**

I claim the ornamental design for a shower assembly, as shown and described.

**DESCRIPTION**

FIG. 1 is a perspective view of a shower assembly, such as a beam shower for shower-only installations.

FIG. 2 is a front view of the shower assembly shown in FIG. 1.

FIG. 3 is a rear view of the shower assembly shown in FIG. 1. FIG. 4 is a right side view of the shower assembly shown in FIG. 1.

FIG. 5 is a left side view of the shower assembly shown in FIG. 1.

FIG. 6 is a top view of the shower assembly shown in FIG. 1. FIG. 7 is a bottom view of the shower assembly shown in FIG. 1.

FIG. 8 is a perspective view of a portion of the shower assembly shown in FIGS. 1-7.

FIG. 9 is a front view of the portion of the shower assembly shown in FIG. 8.

FIG. 10 is a rear view of the portion of the shower assembly shown in FIG. 8.

FIG. 11 is a right side view of the portion of the shower assembly shown in FIG. 8.

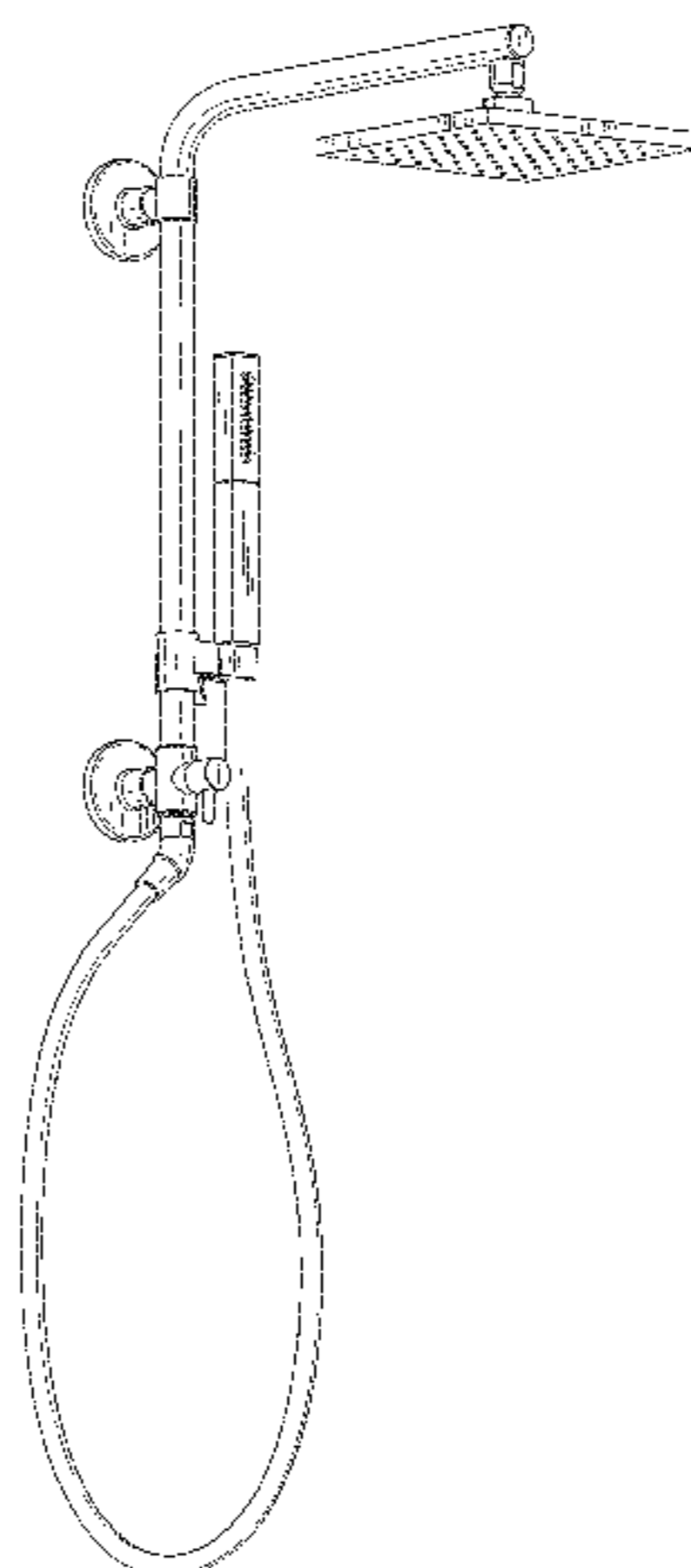
FIG. 12 is a left side view of the portion of the shower assembly shown in FIG. 8.

FIG. 13 is a top view of the portion of the shower assembly shown in FIG. 8; and,

FIG. 14 is a bottom view of the portion of the shower assembly shown in FIG. 8.

The present application is directed to the shape and contour of the designs illustrated in the drawings. The broken line showing of the environment is for illustrative purposes only and forms no part of the claimed designs. The broken lines which define the boundaries of the claimed designs form no part thereof.

**1 Claim, 9 Drawing Sheets**



(56)

## References Cited

U.S. PATENT DOCUMENTS			
4,739,596	A	4/1988	Cunningham et al.
4,997,007	A	3/1991	Niemann et al.
5,329,650	A	7/1994	Zaccai et al.
5,339,469	A	8/1994	Gilles
5,353,448	A	10/1994	Lee
5,678,258	A	10/1997	Healy
6,192,529	B1	2/2001	Jones et al.
D454,620	S *	3/2002	Starck ..... D23/228
6,378,912	B1	4/2002	Condon et al.
D477,657	S *	7/2003	Toyohara ..... D23/304
6,726,161	B2	4/2004	Plump et al.
D500,121	S *	12/2004	Blomstrom ..... D23/213
6,859,955	B2	3/2005	Hudson
D514,197	S *	1/2006	Gilbert ..... D23/229
D545,419	S	6/2007	Nikles et al.
D552,722	S	10/2007	Nikles et al.
D559,949	S *	1/2008	Bickler et al. .... D23/228
D562,950	S	2/2008	Nikles et al.
D562,951	S	2/2008	Nikles et al.
D564,625	S *	3/2008	Bickler et al. .... D23/228
D567,904	S *	4/2008	Schoenherr et al. .... D23/228
D575,846	S *	8/2008	Lobermeier et al. .... D23/228
7,406,984	B2	8/2008	Nikles et al.
7,458,112	B1	12/2008	Yang
7,578,453	B1	8/2009	Wilson
D606,627	S *	12/2009	Urquiola ..... D23/228
D612,453	S *	3/2010	Schoenherr et al. .... D23/228
D616,066	S *	5/2010	Cummings et al. .... D23/228
7,766,291	B2	8/2010	Eilmus et al.
D629,867	S *	12/2010	Rexach et al. .... D23/213
7,857,241	B2 *	12/2010	Deng ..... 239/444
D638,100	S *	5/2011	Juan ..... D23/213
D638,520	S *	5/2011	Matsuura et al. .... D23/228
2003/0226200	A1	12/2003	Charonis
2005/0116062	A1	6/2005	Yang
2005/0127211	A1	6/2005	Yeiser
2006/0021131	A1	2/2006	Robert et al.
2006/0196972	A1	9/2006	Kajuchi
2009/0000022	A1	1/2009	Phipps et al.
2009/0202293	A1	8/2009	Kajuch et al.
2010/0058532	A1	3/2010	Tsai et al.
2010/0163652	A1	7/2010	Kajuch et al.

## FOREIGN PATENT DOCUMENTS

EM	000408349-0003	9/2005
EM	000408349-0004	9/2005
EM	000408349-0005	9/2005
EM	000408349-0006	9/2005
EM	000408349-0007	9/2005
EM	000408349-0008	9/2005
EP	0076717	4/1983
EP	1892339	2/2008

## OTHER PUBLICATIONS

Raindance Allrounder AIR Product Data Sheet, Hansgrohe USA, Known at least as early as Nov. 8, 2010, Retrieved from Internet on Mar. 21, 2012 <URL: [http://www.hansgrohe-usa.com/pdf/datasheet.pdf?model=28110USA&category=C0000000000081&lang=en\\_US](http://www.hansgrohe-usa.com/pdf/datasheet.pdf?model=28110USA&category=C0000000000081&lang=en_US)>.

Raindance S Wallbar Product Data Sheet, Hansgrohe USA, Known at least as early as Nov. 8, 2010, Retrieved from Internet on Mar. 21, 2012 <URL: [http://www.hansgrohe-usa.com/pdf/datasheet.pdf?model=27876USA&category=C0000000000081&lang=en\\_US](http://www.hansgrohe-usa.com/pdf/datasheet.pdf?model=27876USA&category=C0000000000081&lang=en_US)>.

Freehander Spec Sheet, Grohe, Known at least as early as Nov. 8, 2010, Retrieved from Internet on Mar. 21, 2012 <URL: [http://www.groheamerica.com/htlib/0/catalogue\\_appendage/us\\_specification/27007-freehander.pdf](http://www.groheamerica.com/htlib/0/catalogue_appendage/us_specification/27007-freehander.pdf)>.

Euphoria Shower System Spec Sheet, Grohe, Known at least as early as Nov. 8, 2010, Retrieved from Internet on Mar. 21, 2012 <URL: [http://www.groheamerica.com/htlib/0/catalogue\\_appendage/us\\_specification/27421-euphoria.pdf](http://www.groheamerica.com/htlib/0/catalogue_appendage/us_specification/27421-euphoria.pdf)>.

Rainshower Shower System Spec Sheet, Grohe, Known at least as early as Nov. 8, 2010, Retrieved from Internet on Mar. 21, 2012 <URL: [http://www.groheamerica.com/htlib/0/catalogue\\_appendage/us\\_specification/27031-rainshower.pdf](http://www.groheamerica.com/htlib/0/catalogue_appendage/us_specification/27031-rainshower.pdf)>.

Kauai II, Pulse Shower Spas, Known at least as early as Nov. 8, 2010, Retrieved from Internet on Mar. 15, 2012 <URL: [http://pulseshowerspas.com/pulseshowerspas\\_kauai.htm](http://pulseshowerspas.com/pulseshowerspas_kauai.htm)>.

PCT/US2011/0655541 International Search Report and Written Opinion dated Apr. 16, 2012 (8 pages).

Pulse Showerspas Product Line, Pulse Showerspas, Inc., 2010, Retrieved from Internet on Nov. 19, 2010 <URL: [http://www.pulseshowerspas.com/product\\_line.htm](http://www.pulseshowerspas.com/product_line.htm)>.

\* cited by examiner

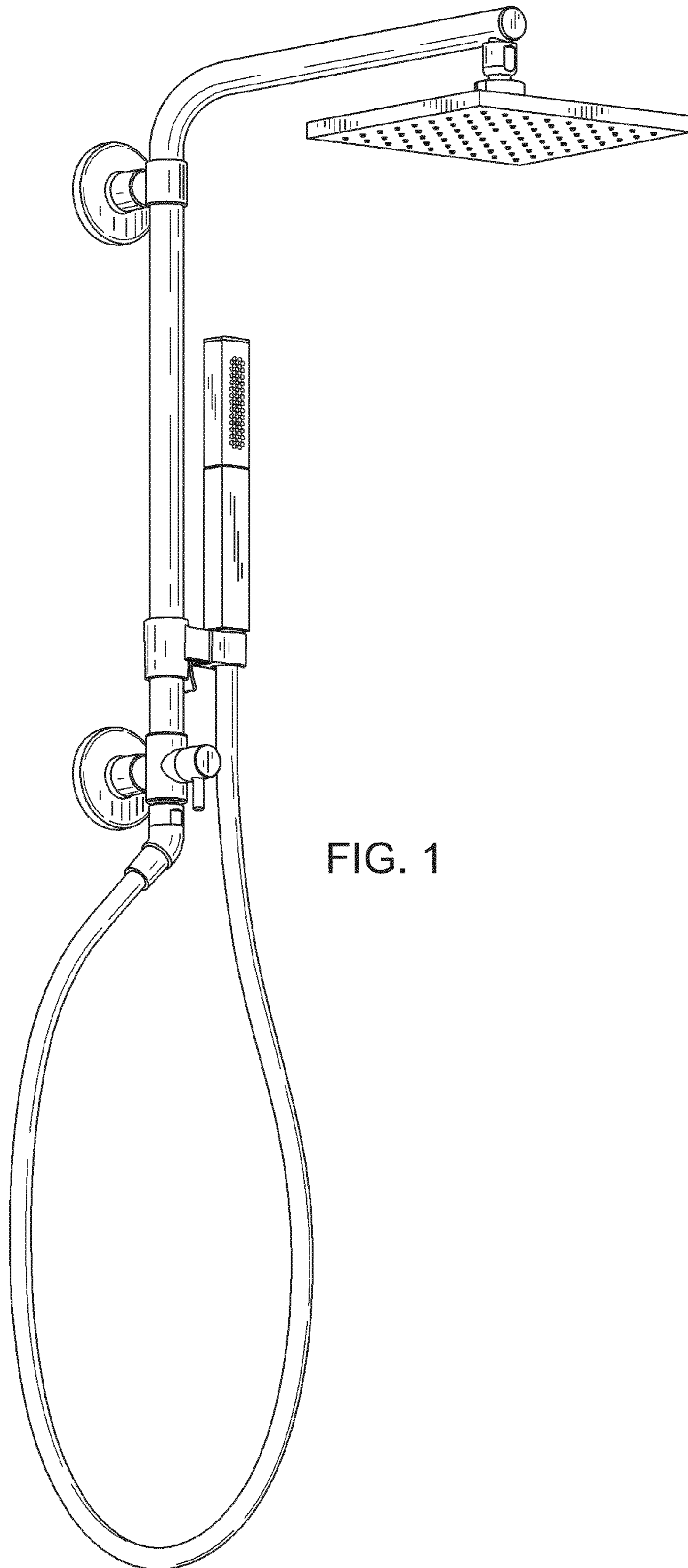


FIG. 1

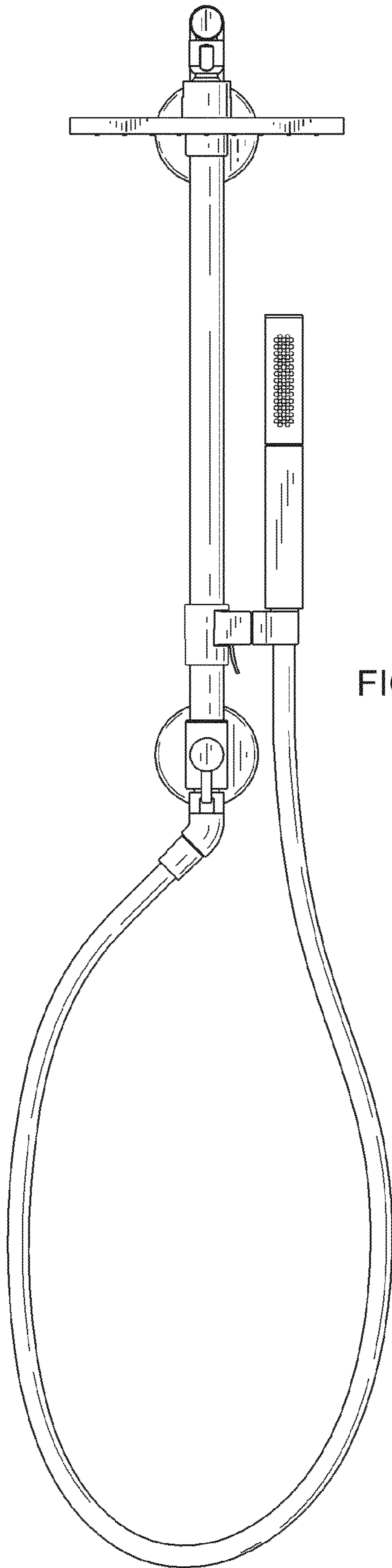


FIG. 2

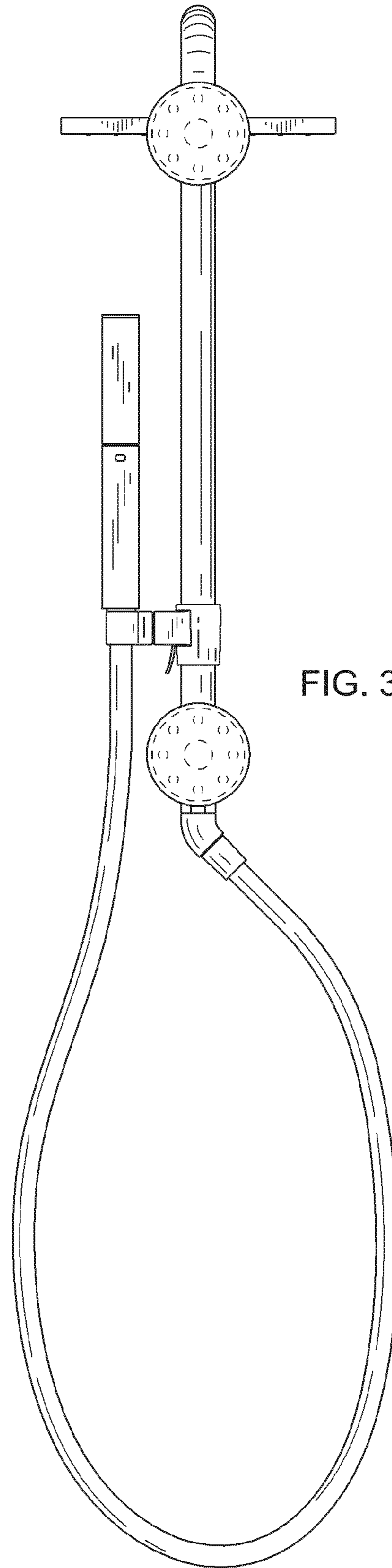


FIG. 3

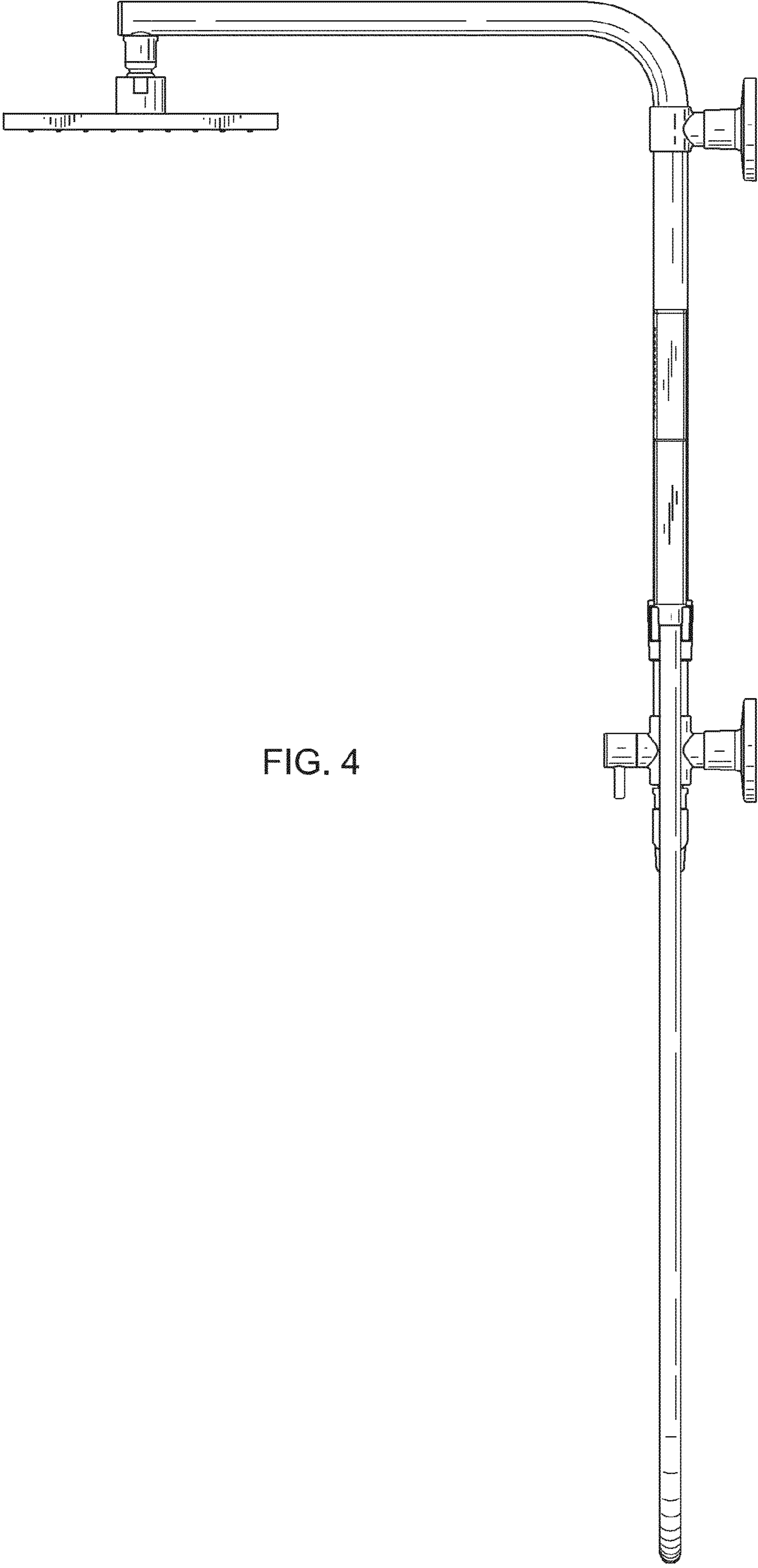


FIG. 4

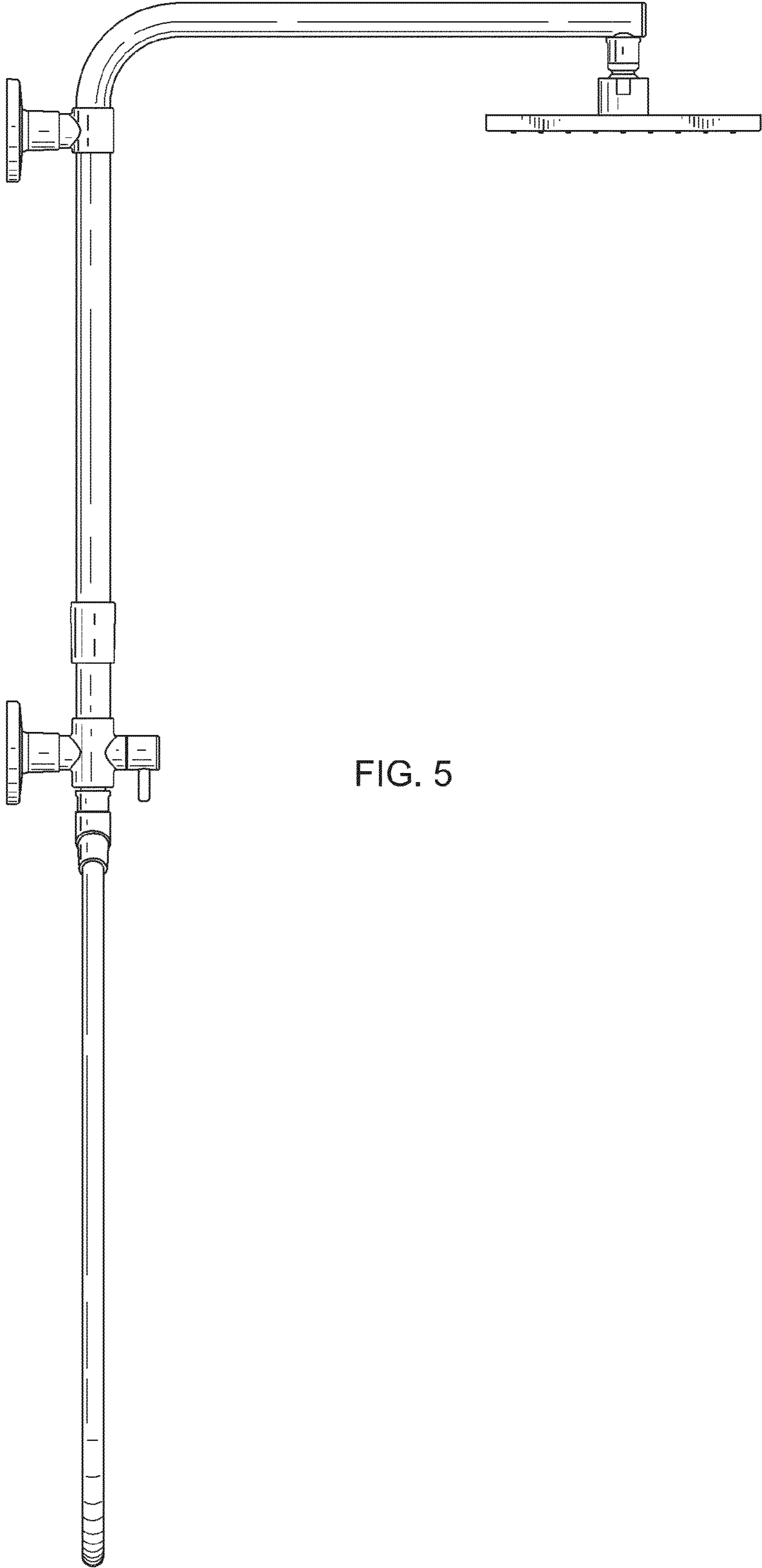


FIG. 5

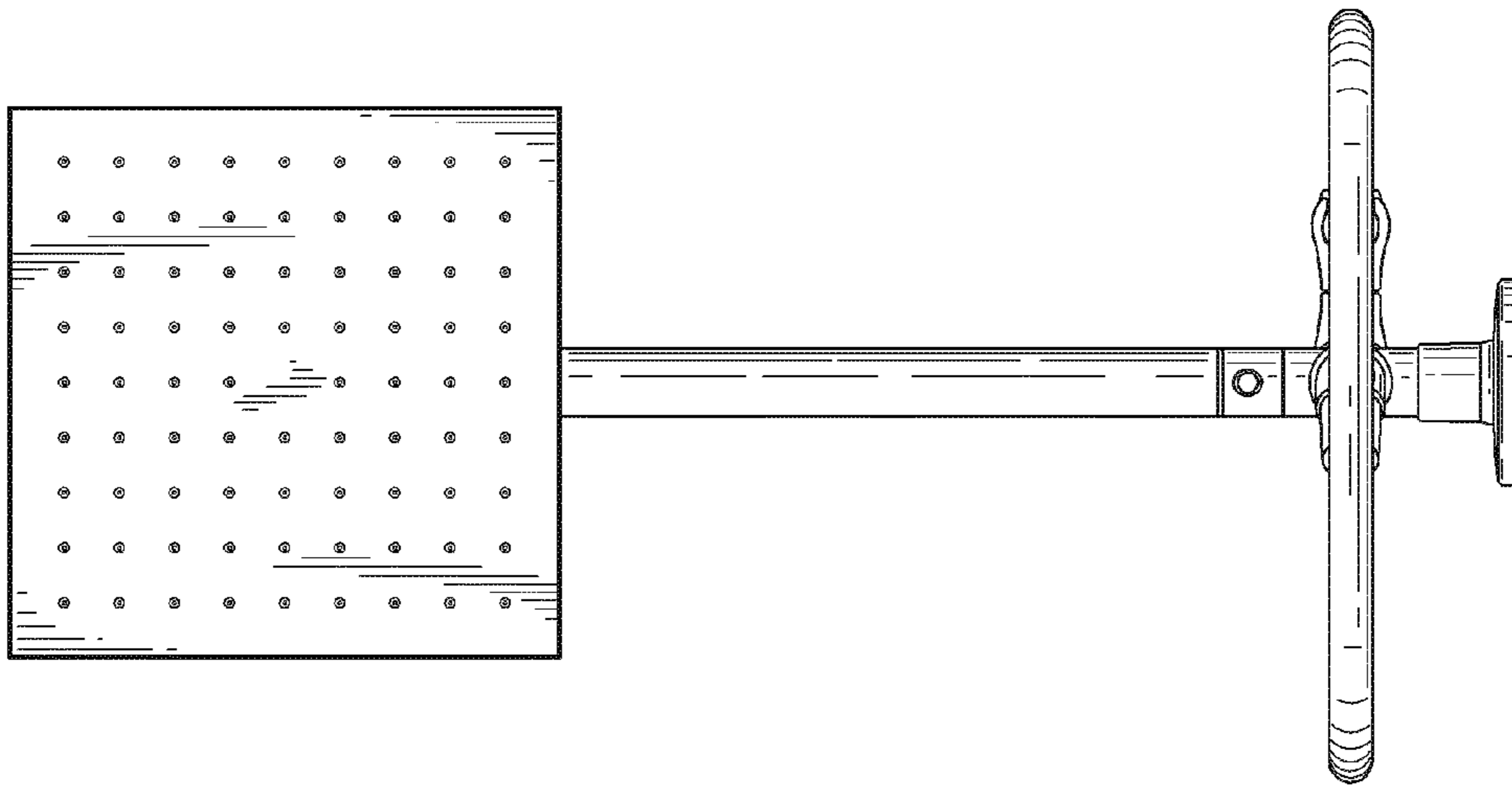


FIG. 7

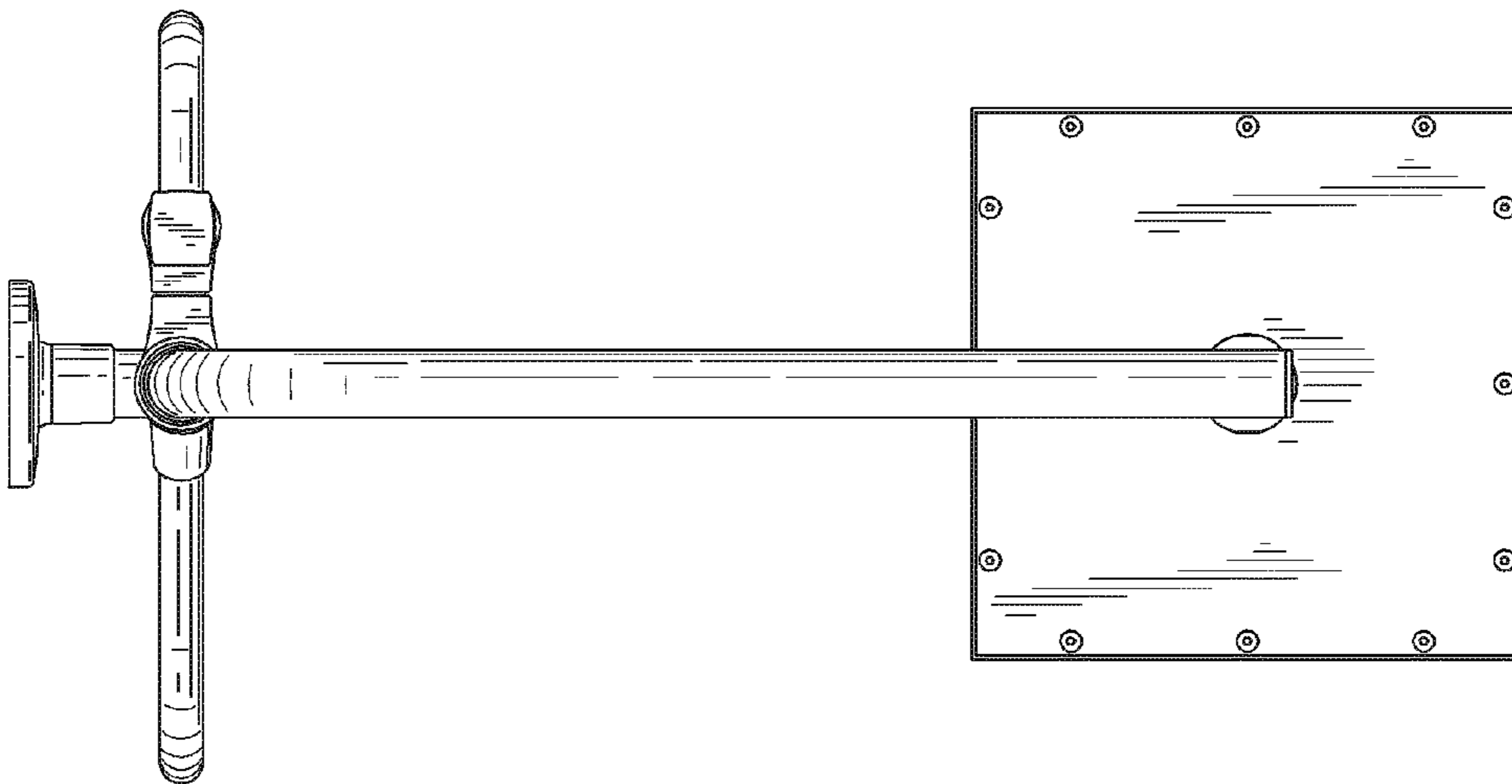


FIG. 6

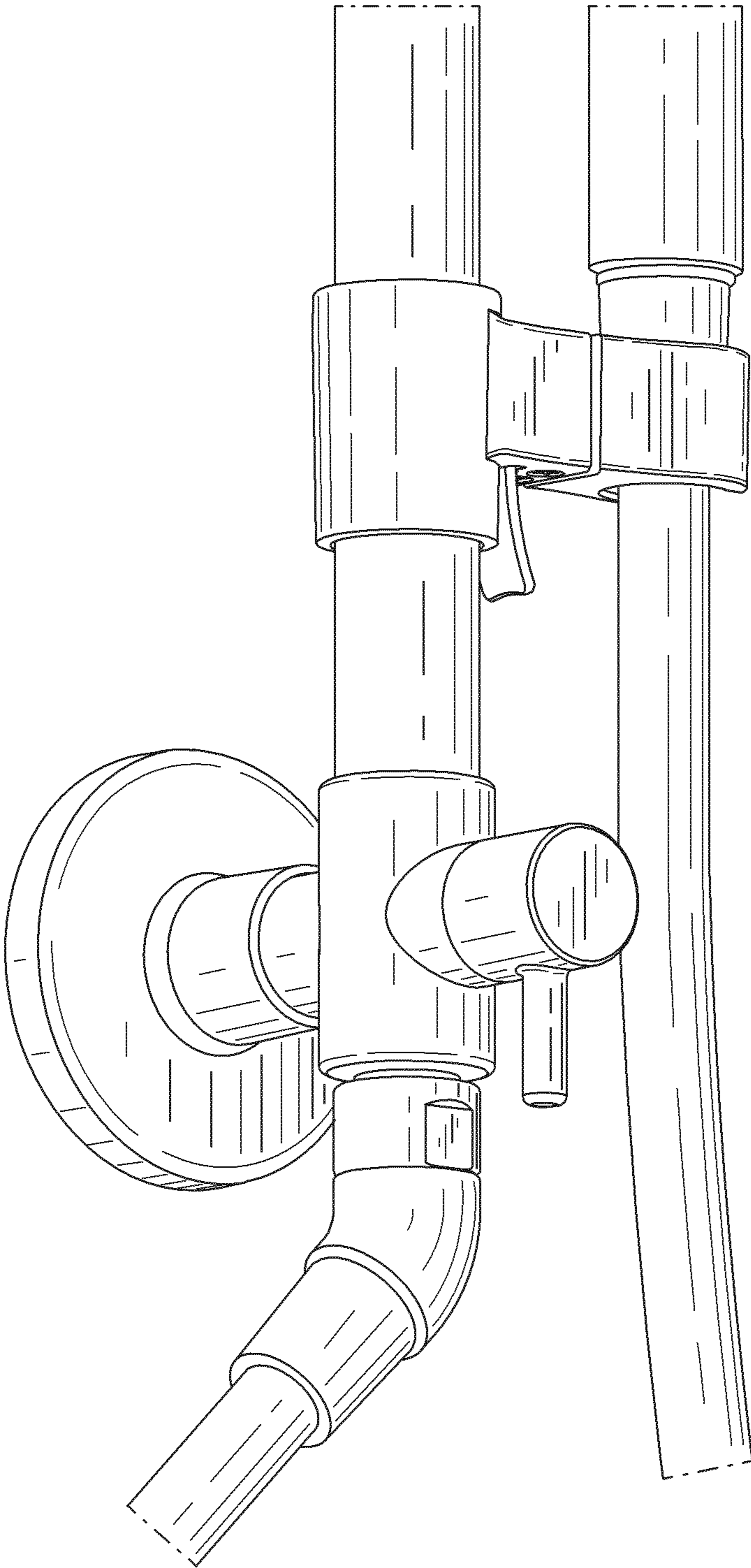


FIG. 8



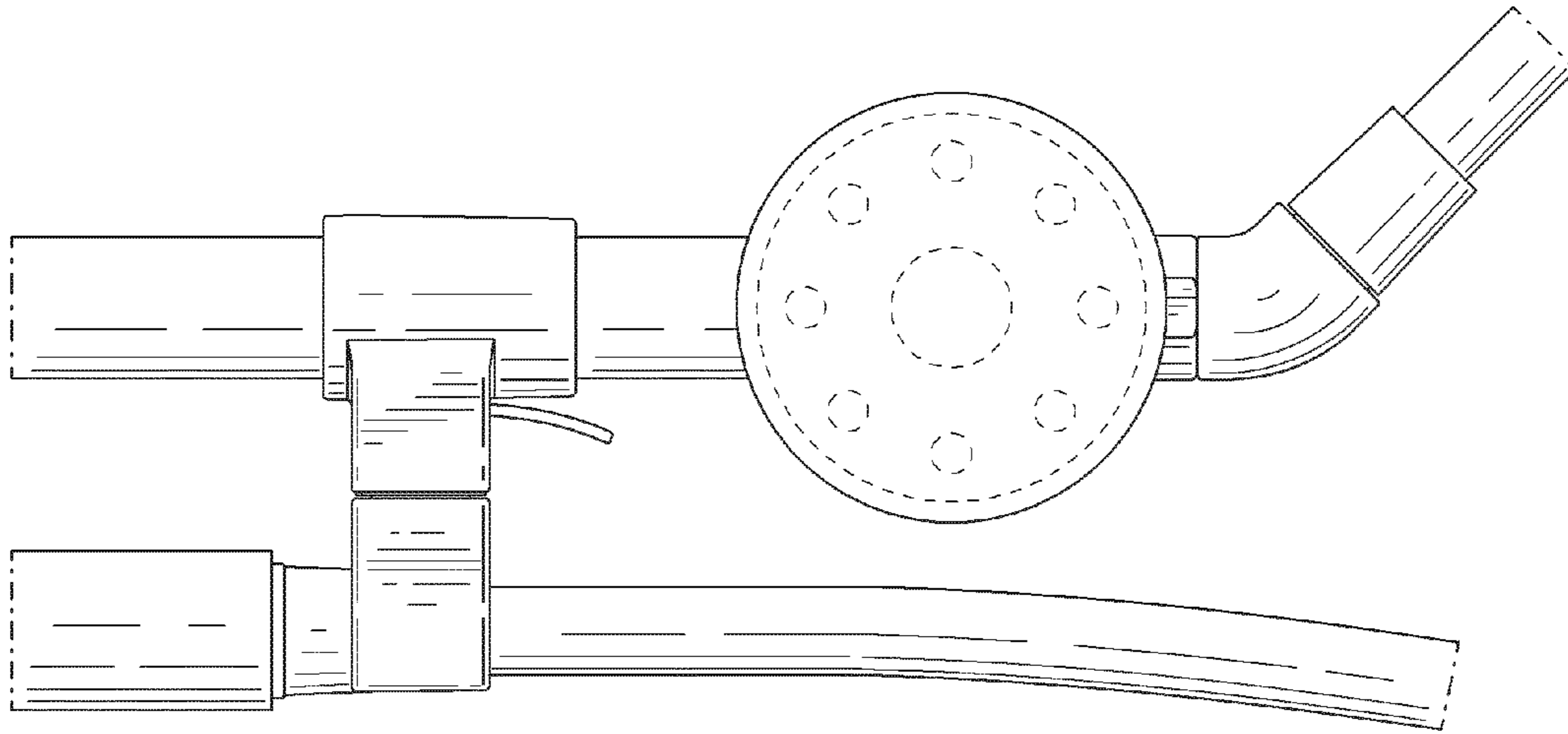


FIG. 10

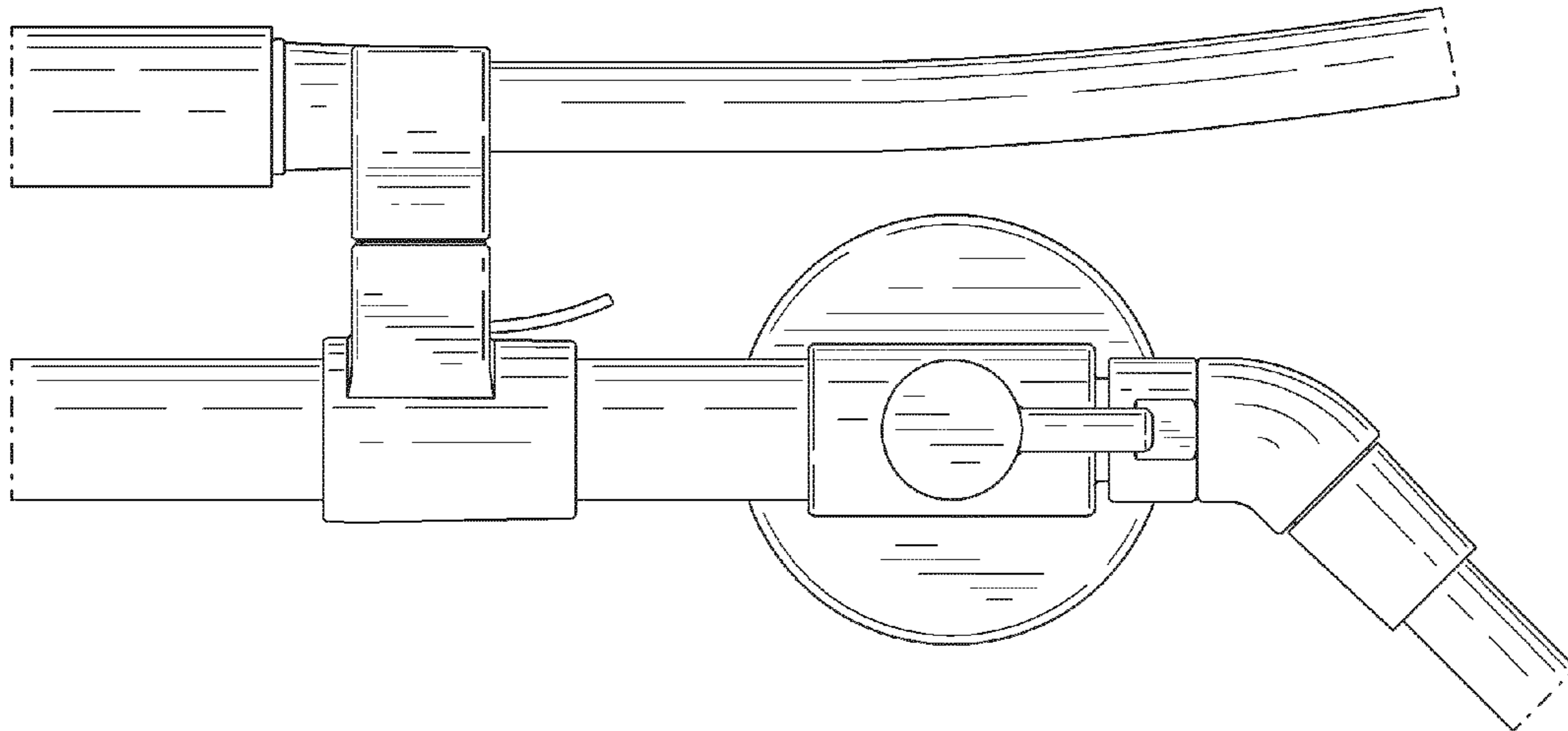


FIG. 9

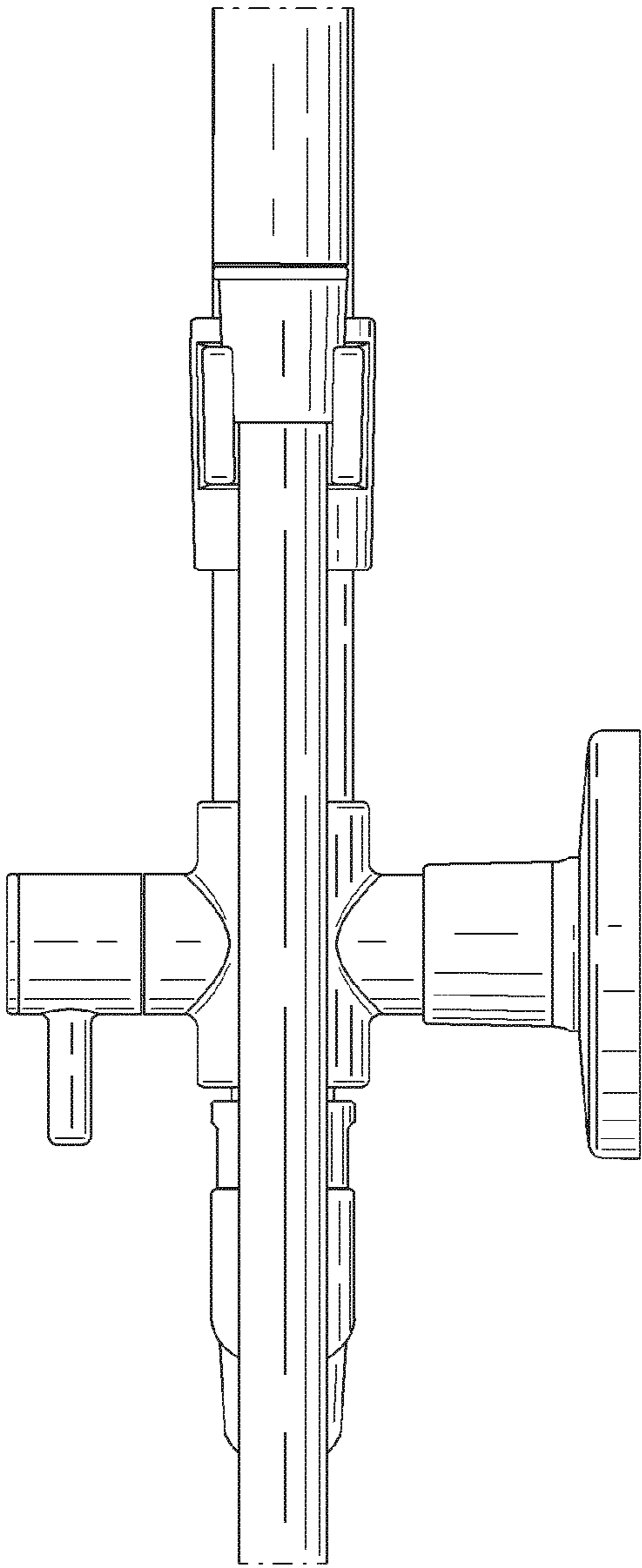


FIG. 11

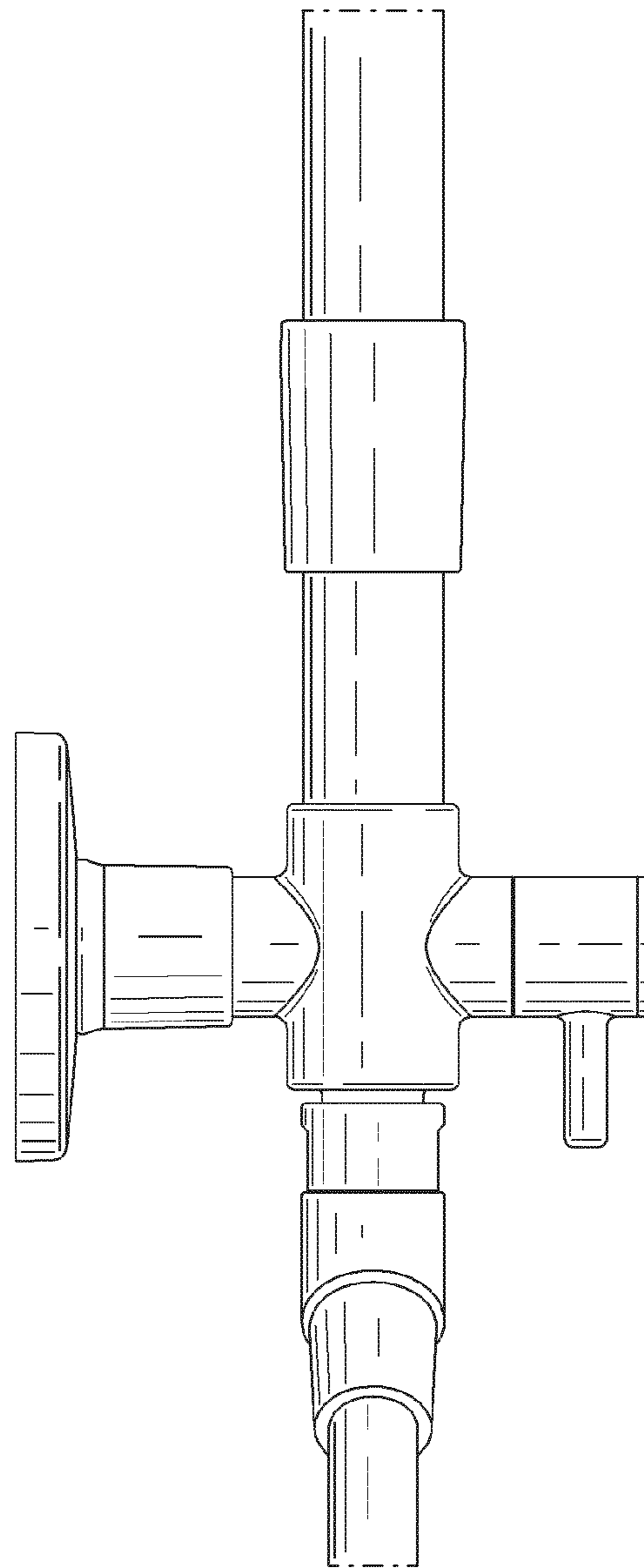


FIG. 12

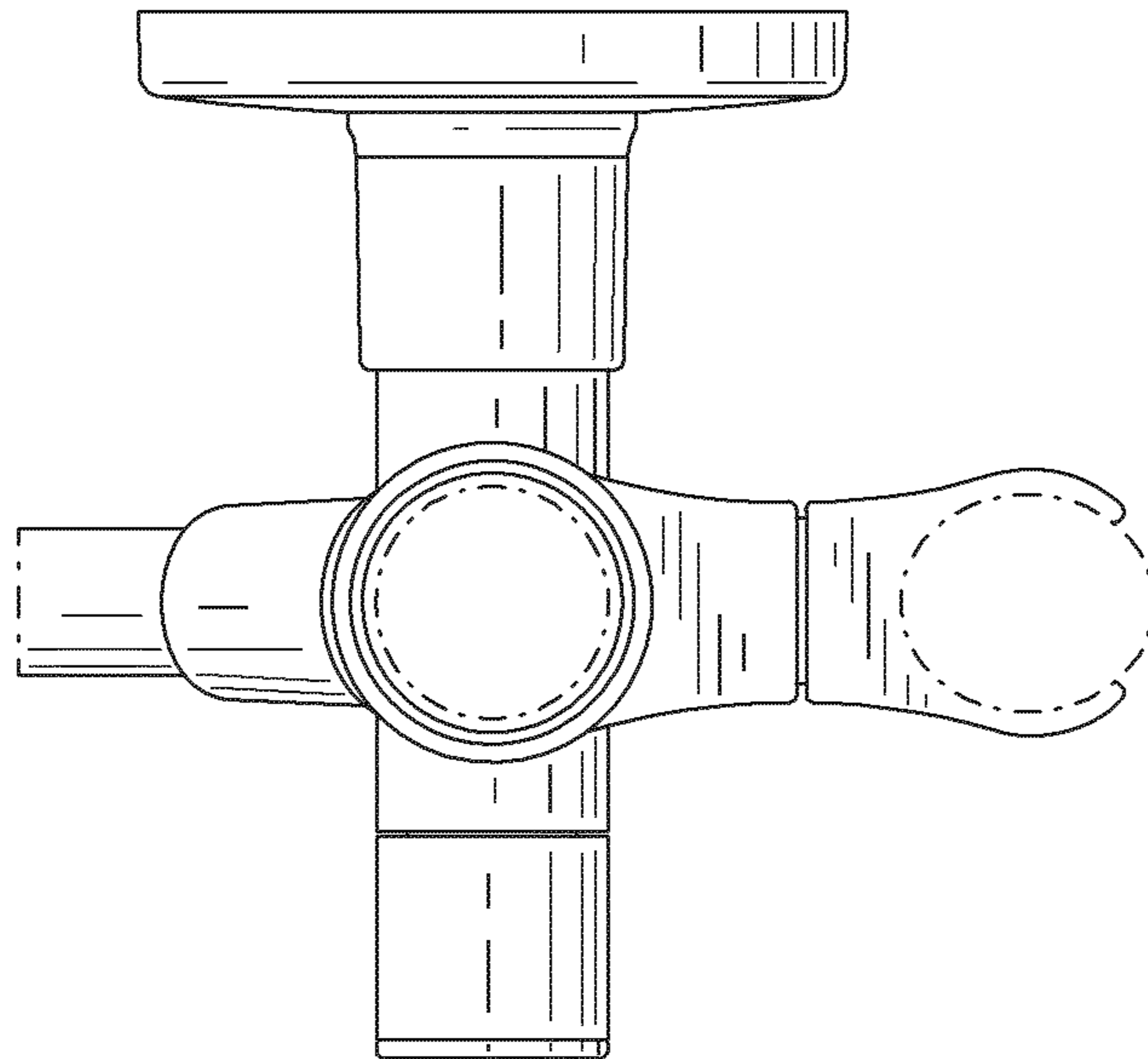


FIG. 13

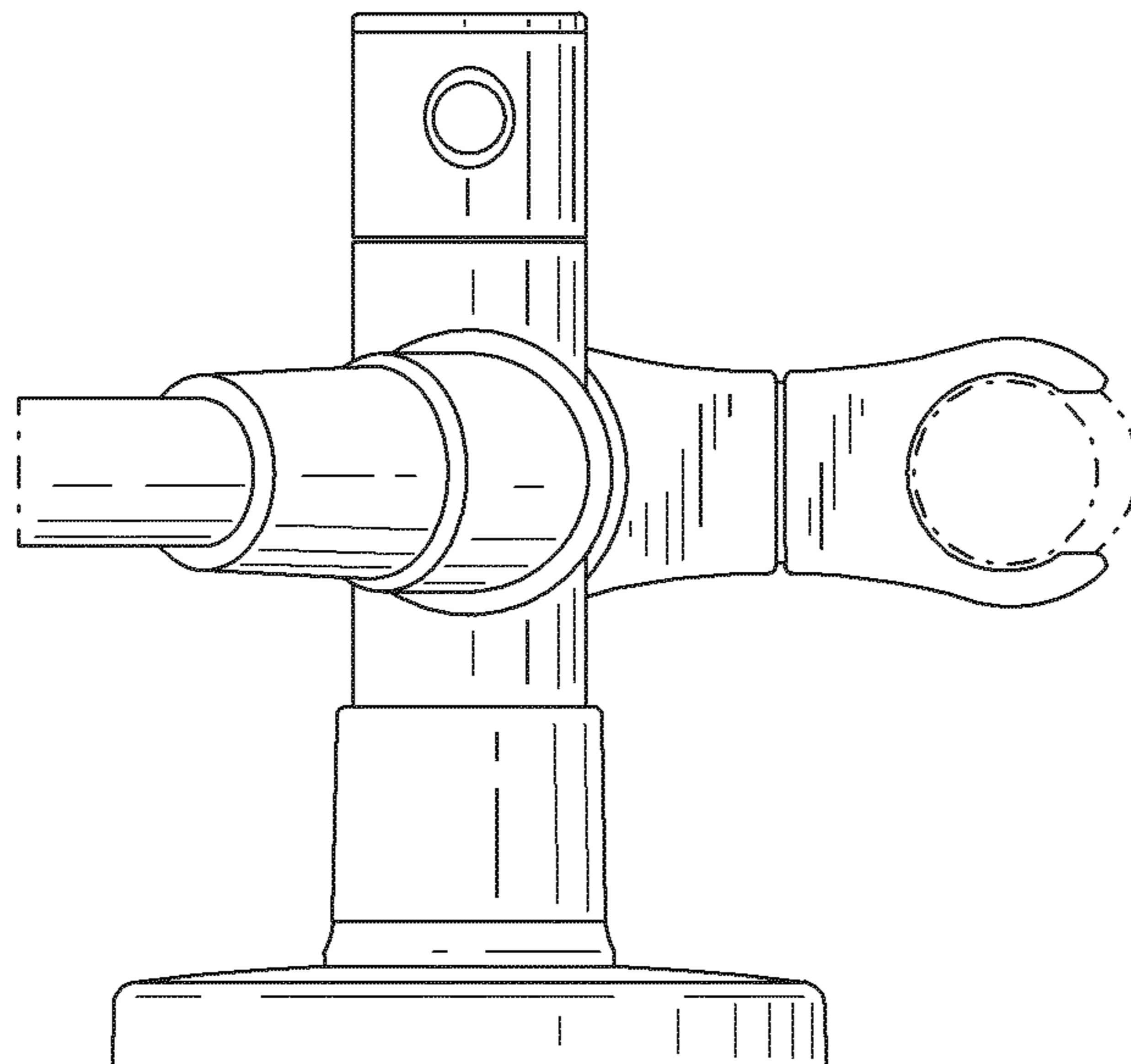


FIG. 14