



US00D689977S

(12) **United States Design Patent**  
**Plott**

(10) **Patent No.:** **US D689,977 S**  
(45) **Date of Patent:** **\*\* Sep. 17, 2013**

(54) **MAGNETIC FLY TYING STATION**

**DESCRIPTION**

- (76) Inventor: **Matthew R. Plott**, Nibley, UT (US)
- (\*\*) Term: **14 Years**
- (21) Appl. No.: **29/427,015**
- (22) Filed: **Jul. 12, 2012**
- (51) **LOC (9) Cl.** ..... **22-05**
- (52) **U.S. Cl.**  
USPC ..... **D22/134**
- (58) **Field of Classification Search**  
USPC ..... D22/134, 136, 146, 149, 199; 43/54.1,  
43/57.1, 57.2, 107, 114; 224/920; 206/315.11;  
242/443, 446  
See application file for complete search history.

(56) **References Cited**

**U.S. PATENT DOCUMENTS**

3,507,071	A *	4/1970	Bryson	.....	43/57.1
D275,593	S *	9/1984	Carter	.....	D22/134
D309,000	S *	7/1990	Stoop, Jr.	.....	D22/134
5,052,555	A *	10/1991	Harmon	.....	206/315.11
5,169,079	A *	12/1992	Renzetti	.....	242/446
D355,471	S *	2/1995	Karr et al.	.....	D22/134
D375,781	S *	11/1996	Caldwell	.....	D22/134
6,079,148	A *	6/2000	Yoneno	.....	43/57.1
6,367,190	B1 *	4/2002	Looney et al.	.....	43/57.1
6,516,559	B1 *	2/2003	Simchoni et al.	.....	43/114
7,080,477	B2 *	7/2006	Shannon	.....	43/54.1
7,566,022	B1 *	7/2009	McKinley et al.	.....	242/446

\* cited by examiner

**OTHER PUBLICATIONS**

Lighted magnifying glass with a magnetic base and a fly tying plate provided with it, available at least as early as Jan. 25, 2013, seen at Carson Optics booth at Outdoor Retailers Trade Show Jan. 25, 2013 in Salt Lake City, UT. (2-photographs).

*Primary Examiner* — Catheri Oliver-Garcia  
(74) *Attorney, Agent, or Firm* — Workman Nydegger

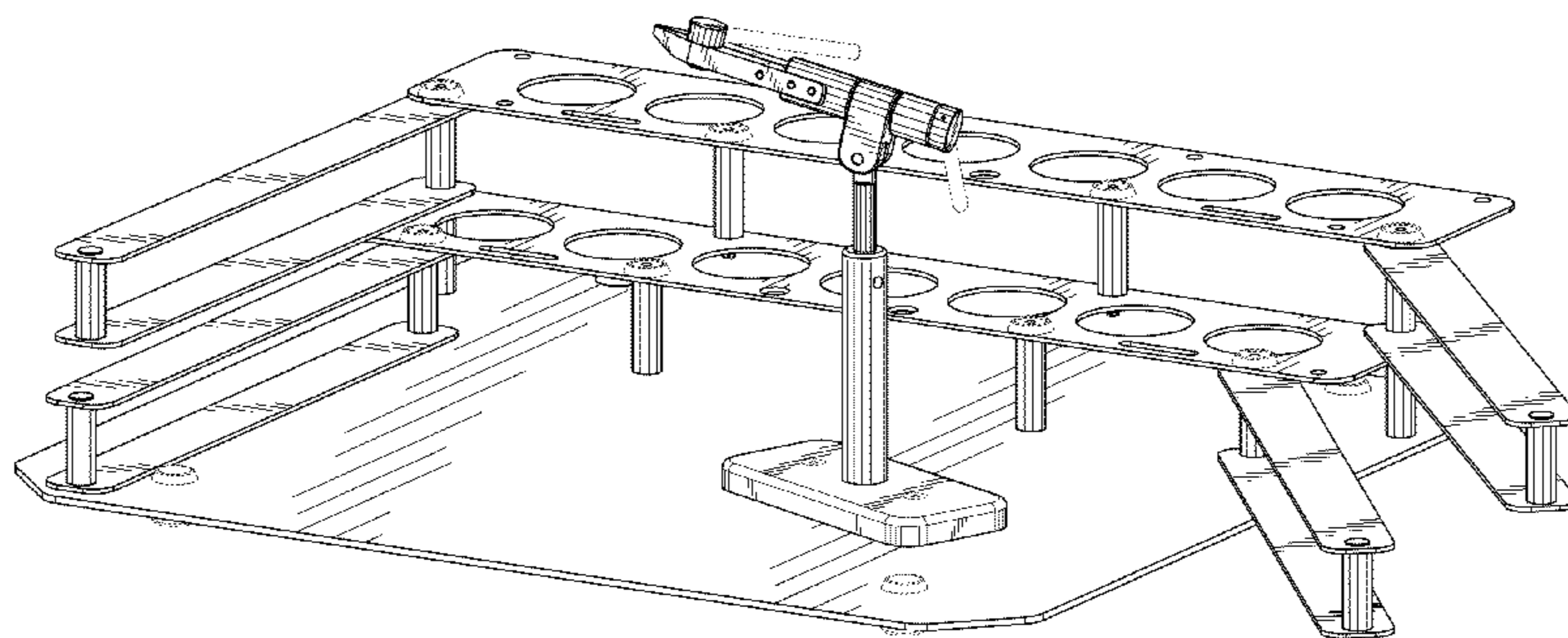
(57) **CLAIM**

The ornamental design for a magnetic fly tying station, as shown and described.

FIG. 1 is a perspective view of a magnetic fly tying station according to the present invention;  
 FIG. 2 is a front view of the magnetic fly tying station of FIG. 1;  
 FIG. 3 is a rear view of the magnetic fly tying station of FIG. 1;  
 FIG. 4 is a first side view of the magnetic fly tying station of FIG. 1;  
 FIG. 5 is a second, opposite side view of the magnetic fly tying station of FIG. 1;  
 FIG. 6 is a top view of the magnetic fly tying station of FIG. 1;  
 FIG. 7 is a bottom view of the magnetic fly tying station of FIG. 1;  
 FIG. 8 is a similar perspective view of the magnetic fly tying station as shown in FIG. 1 with the magnetically retained fly tying vice removed from the magnetic base of the station;  
 FIG. 9 is a perspective view of the magnetic fly tying vice of the fly tying station of FIG. 1 with the vertical shaft of the fly tying vice in a telescopingly extended configuration;  
 FIG. 10 is a front view of the magnetic fly tying station of FIG. 9;  
 FIG. 11 is a rear view of the magnetic fly tying station of FIG. 9;  
 FIG. 12 is a first side view of the magnetic fly tying station of FIG. 9;  
 FIG. 13 is a second, opposite side view of the magnetic fly tying station of FIG. 9;  
 FIG. 14 is a top view of the magnetic fly tying station of FIG. 9; and,  
 FIG. 15 is a bottom view of the magnetic fly tying station of FIG. 9.

The broken lines shown are directed to environmental structure and are for illustrative purposes only. The broken lines form no part of the claimed design.

**1 Claim, 15 Drawing Sheets**



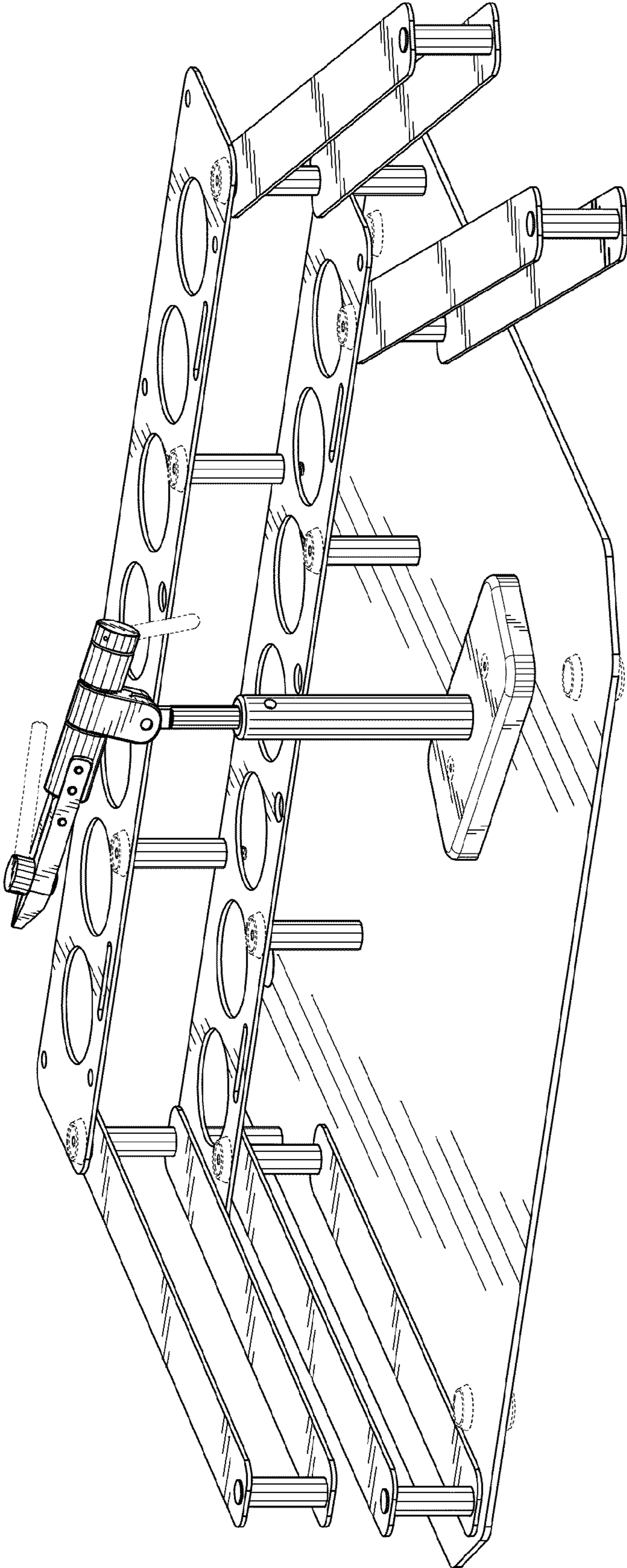


FIG. 1

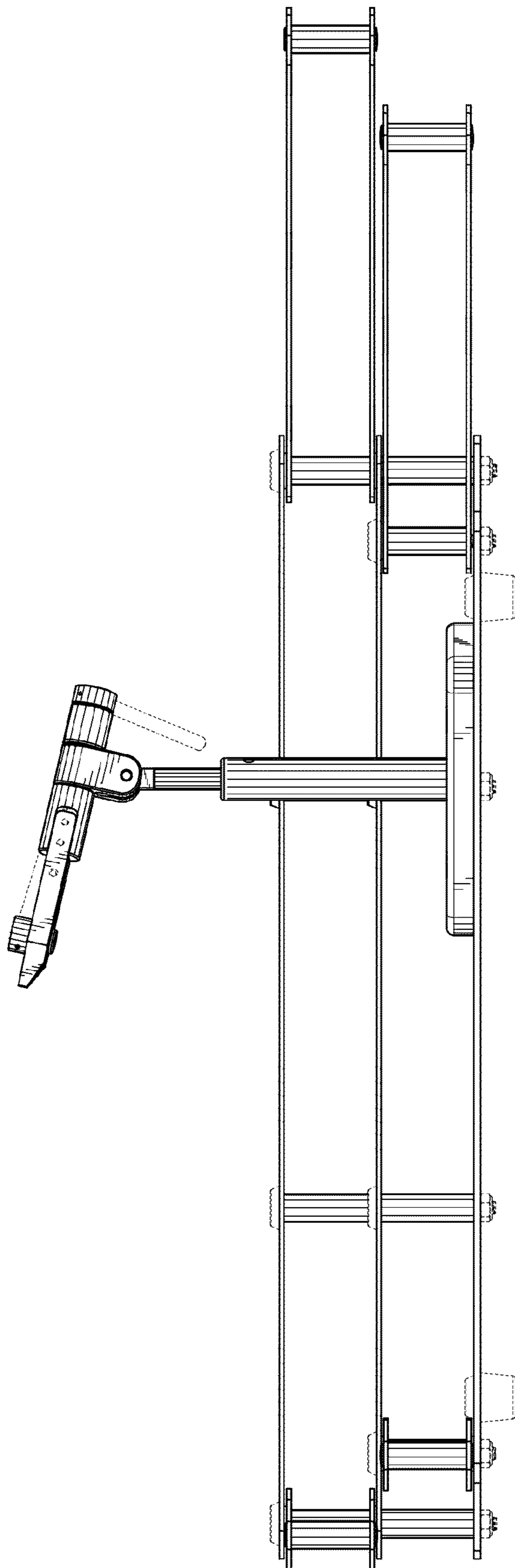


FIG. 2

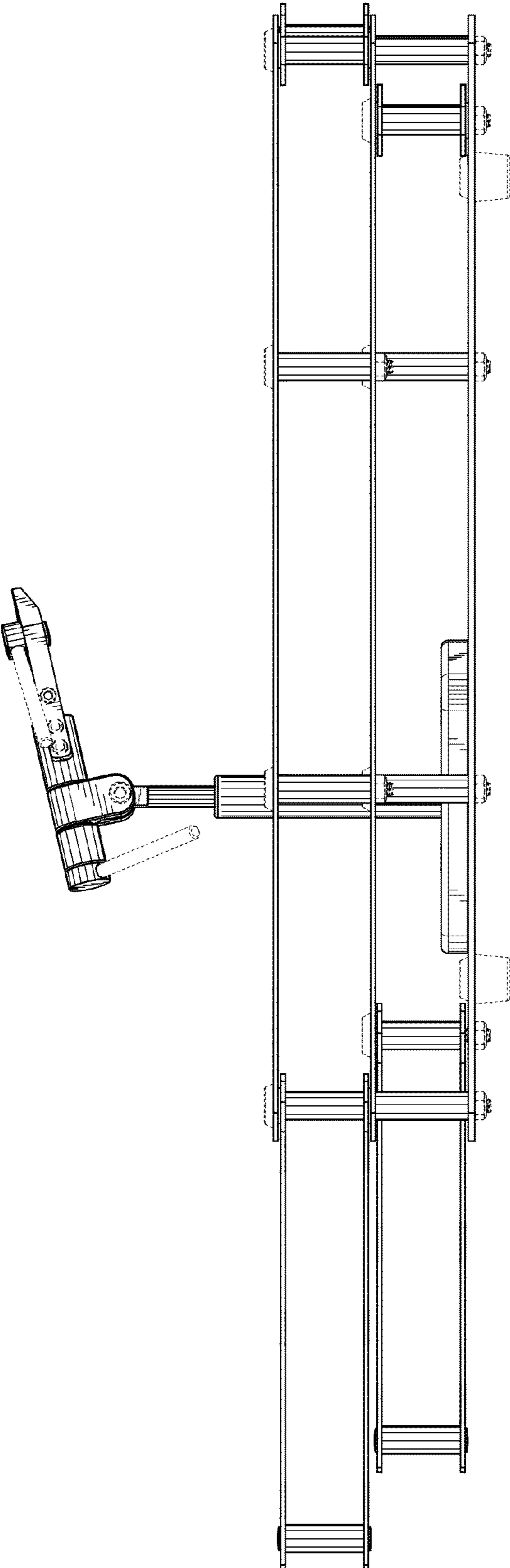


FIG. 3

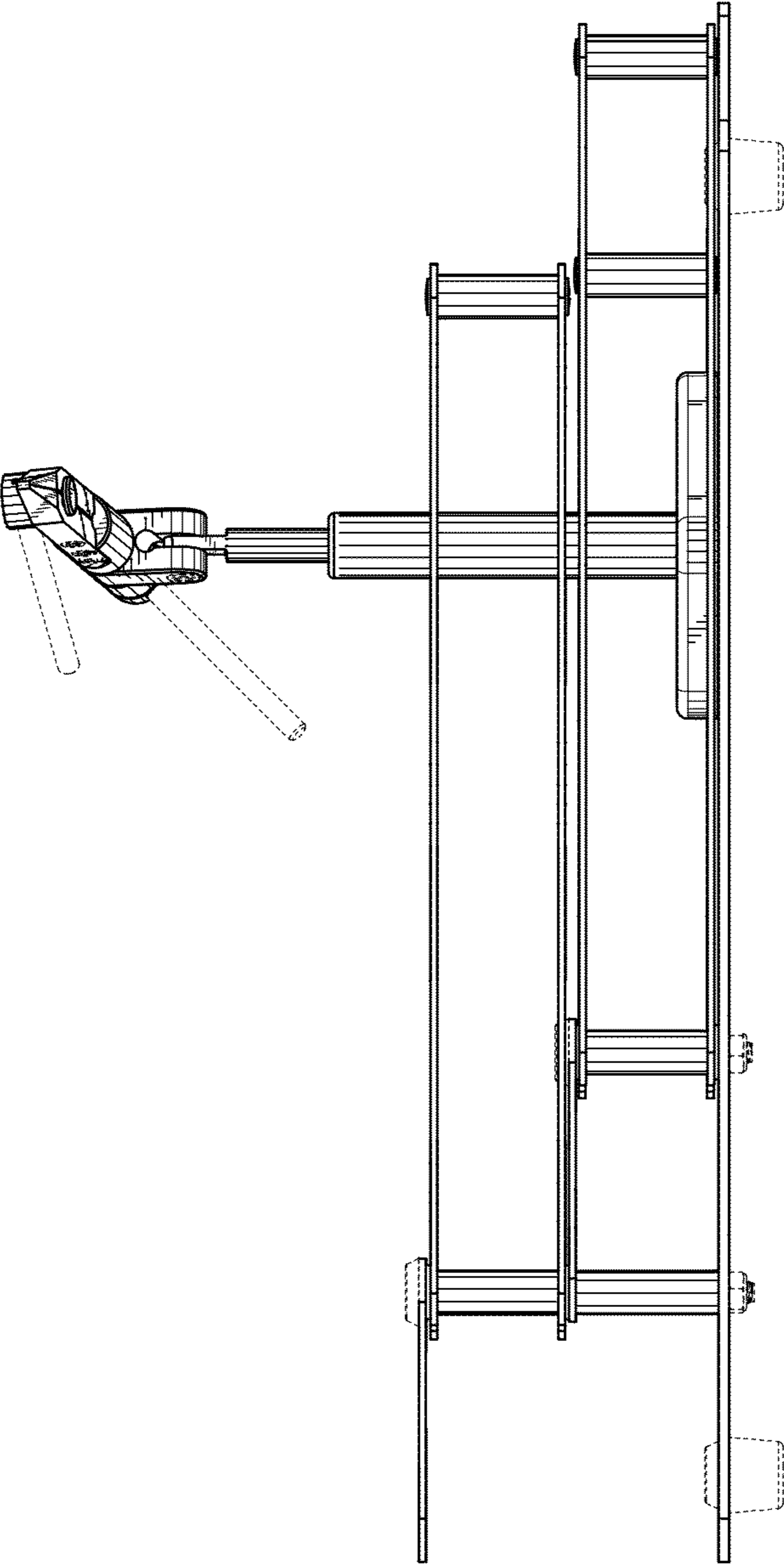


FIG. 4

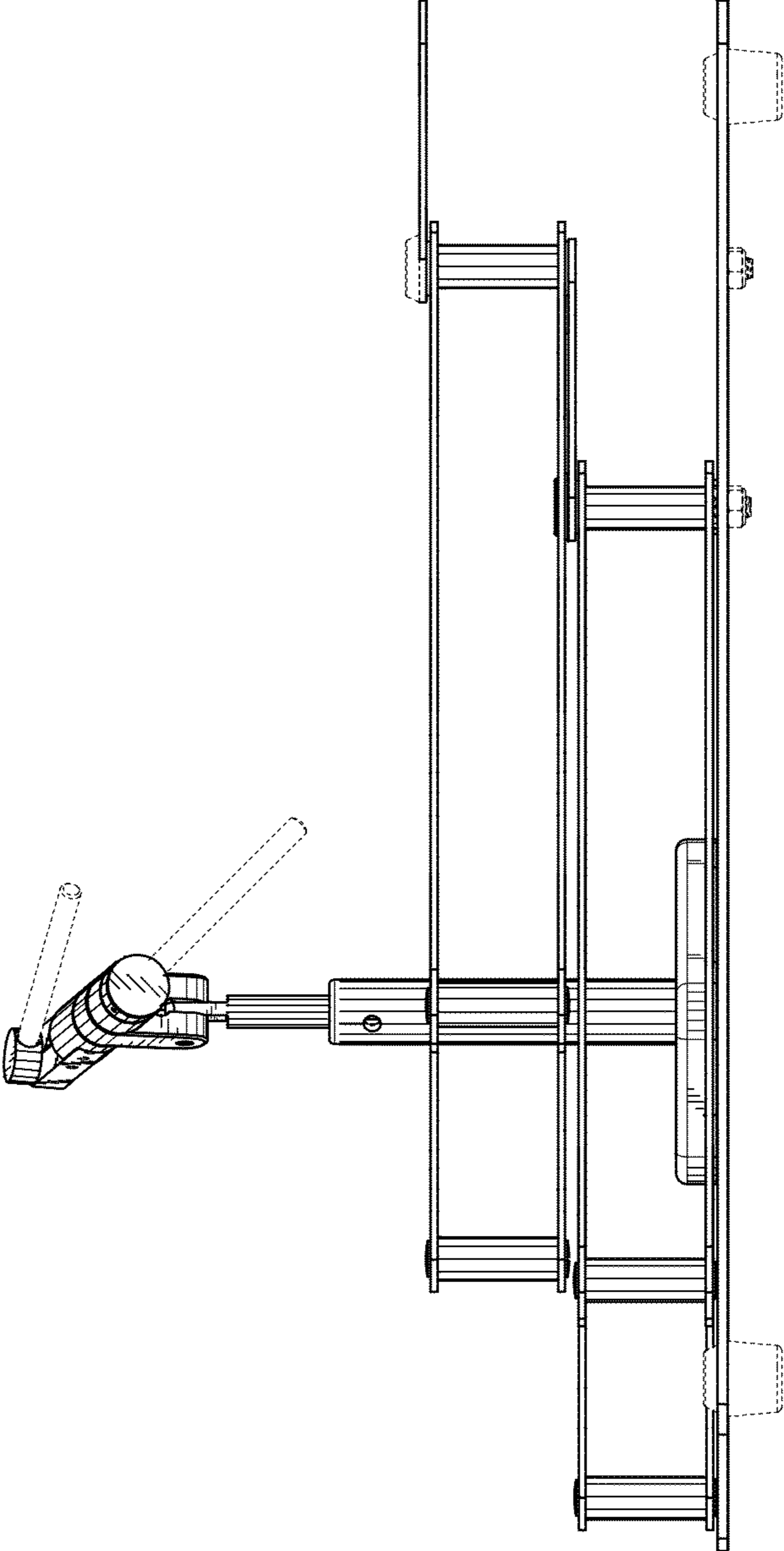


FIG. 5

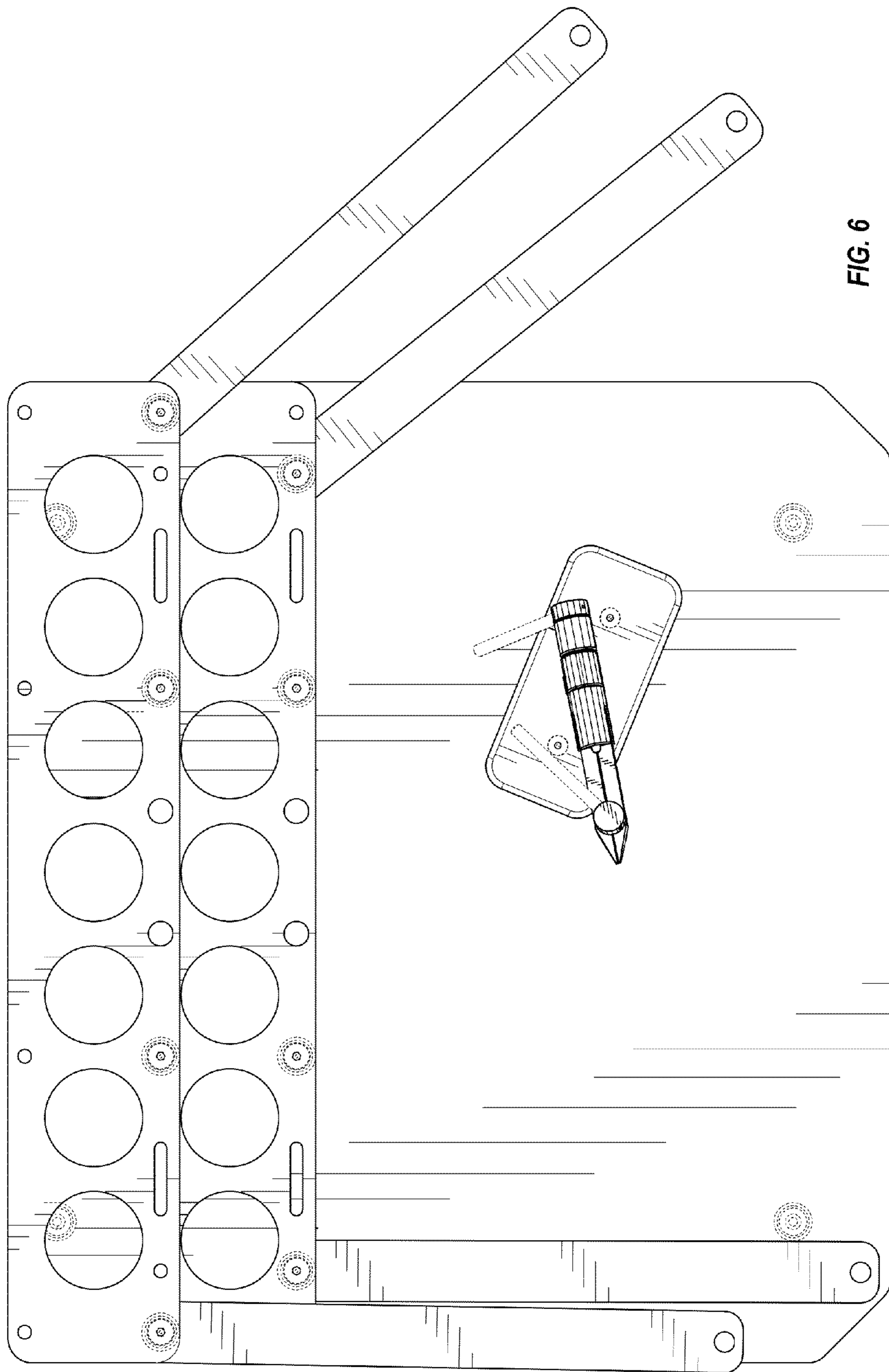


FIG. 6

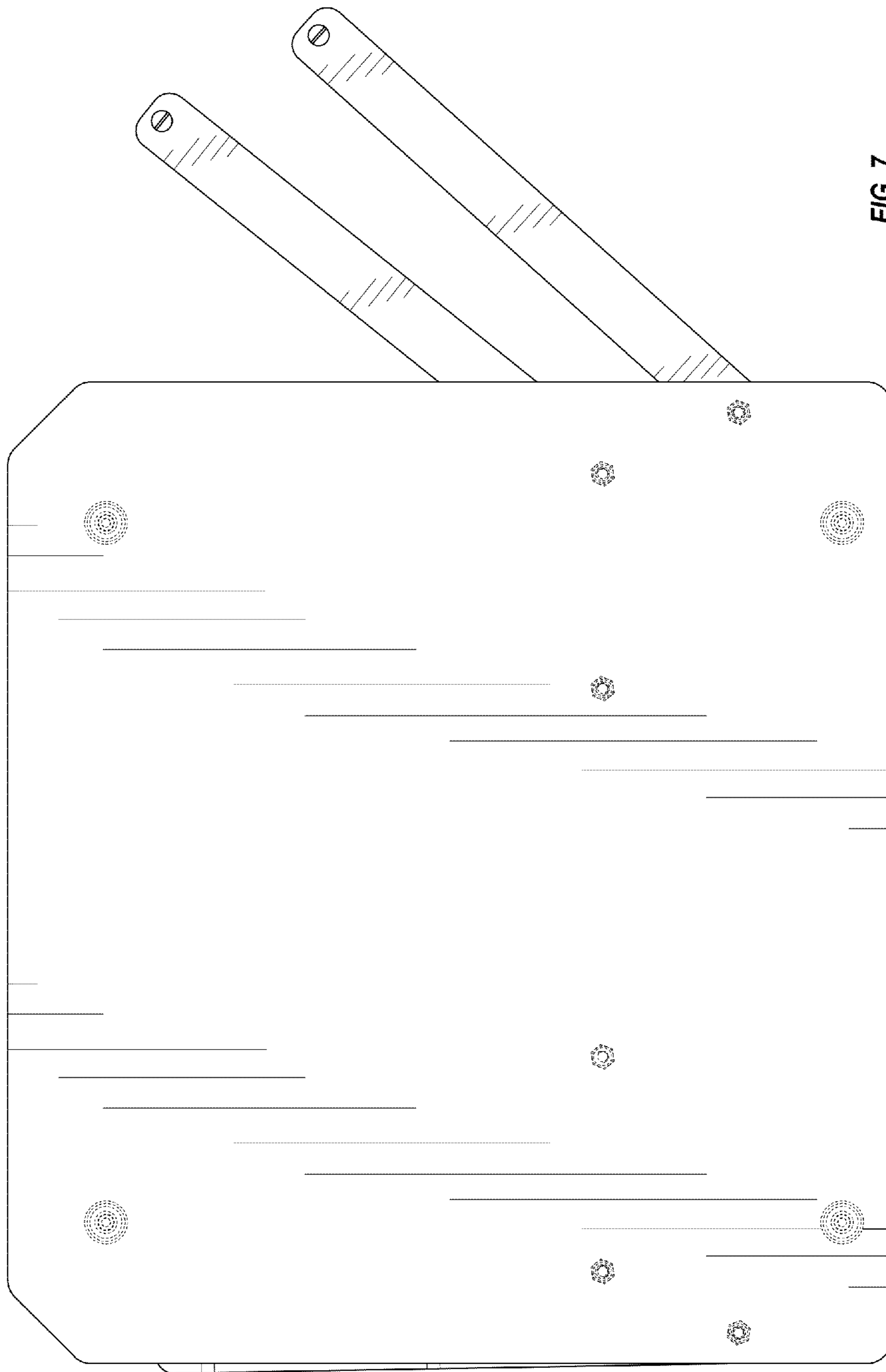


FIG. 7



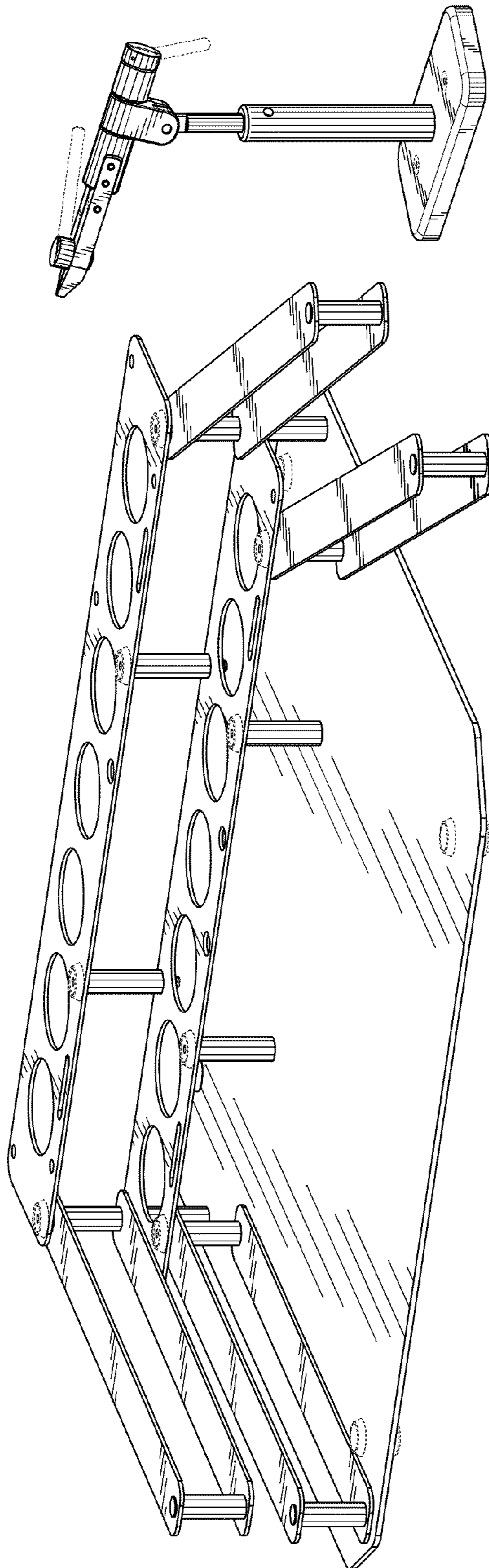


FIG. 8

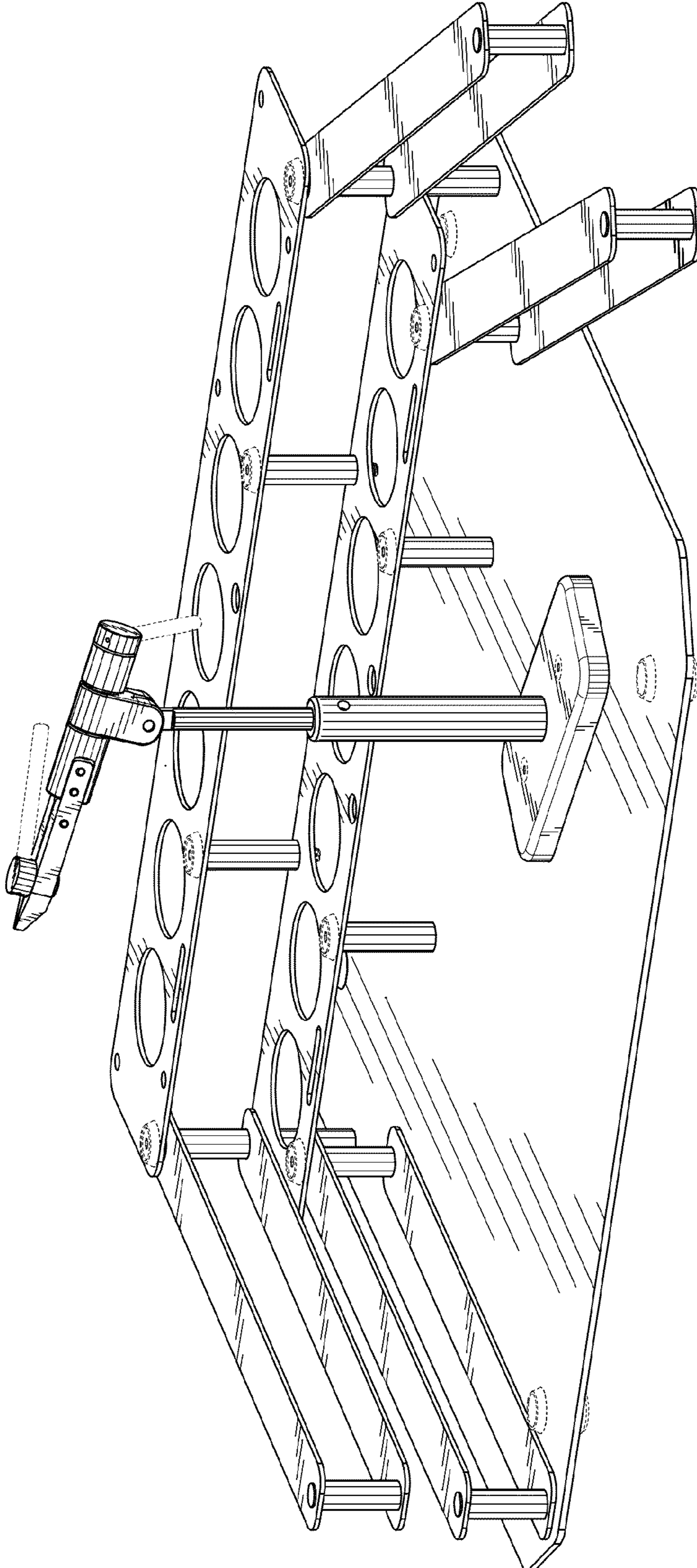


FIG. 9

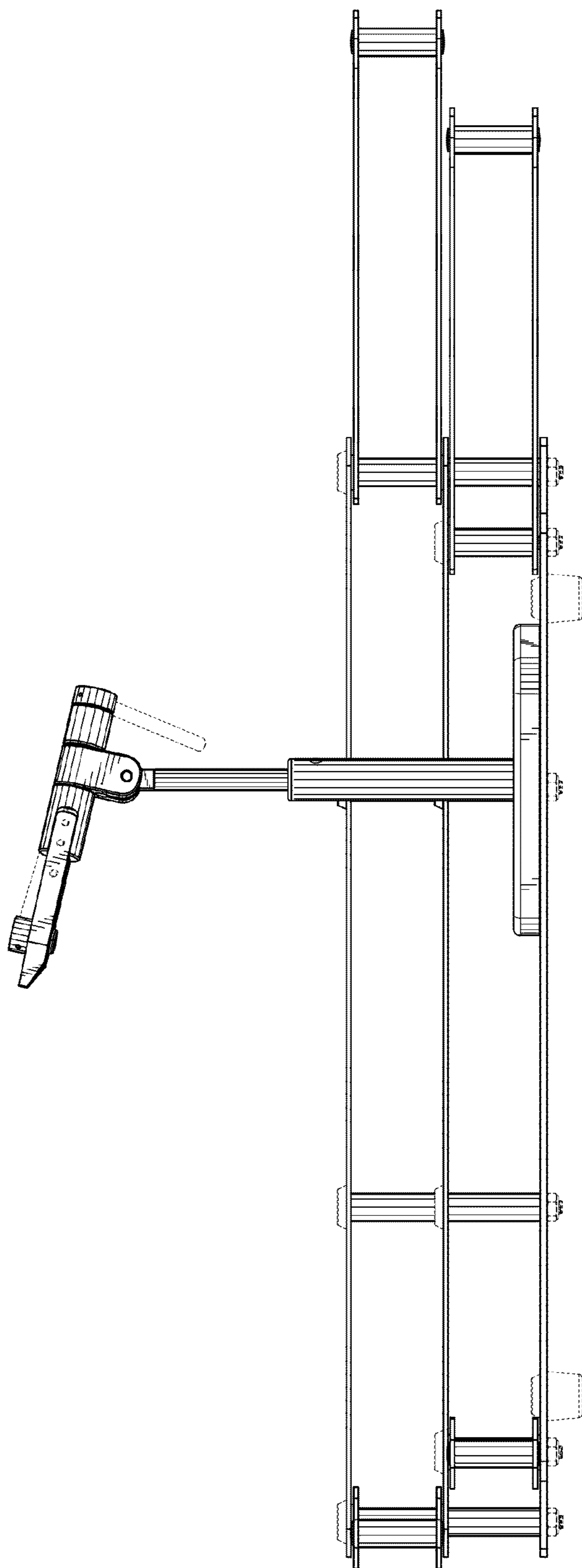


FIG. 10

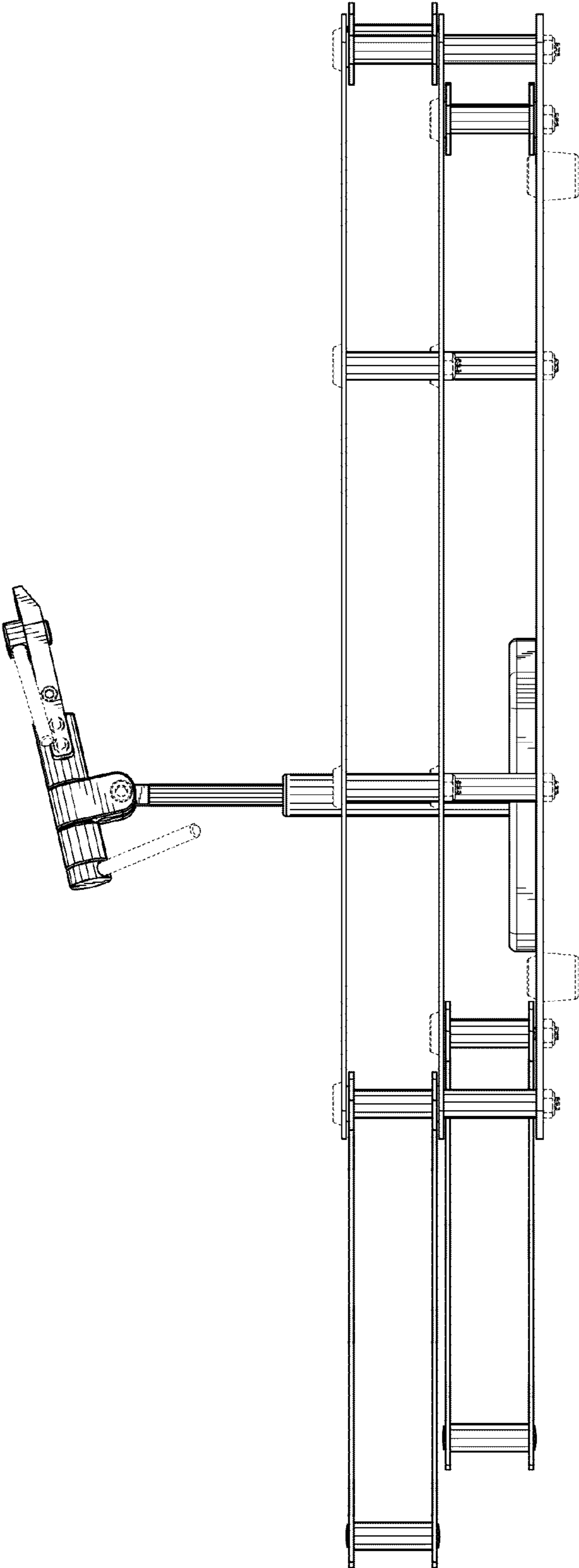


FIG. 11

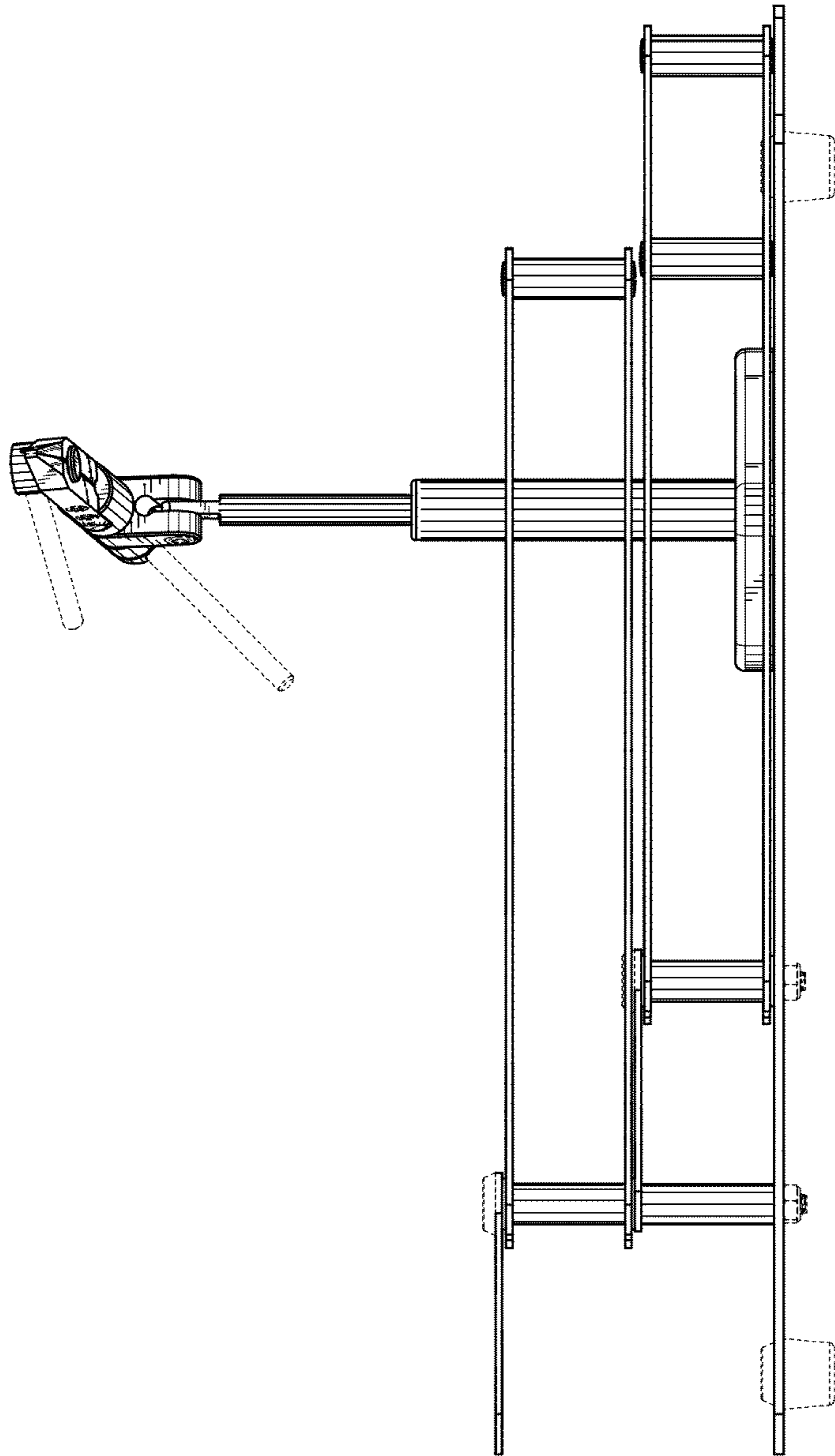


FIG. 12

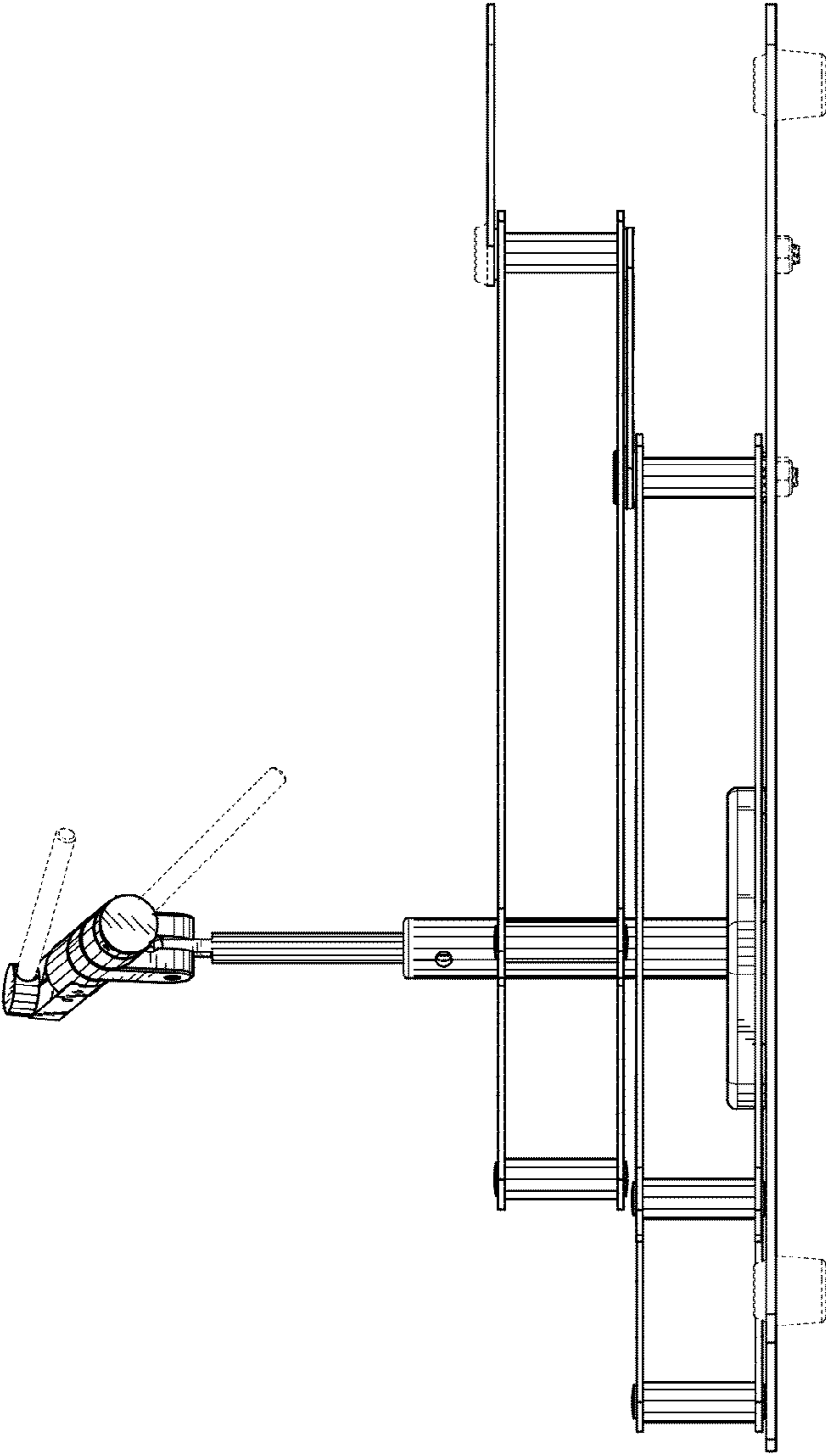


FIG. 13

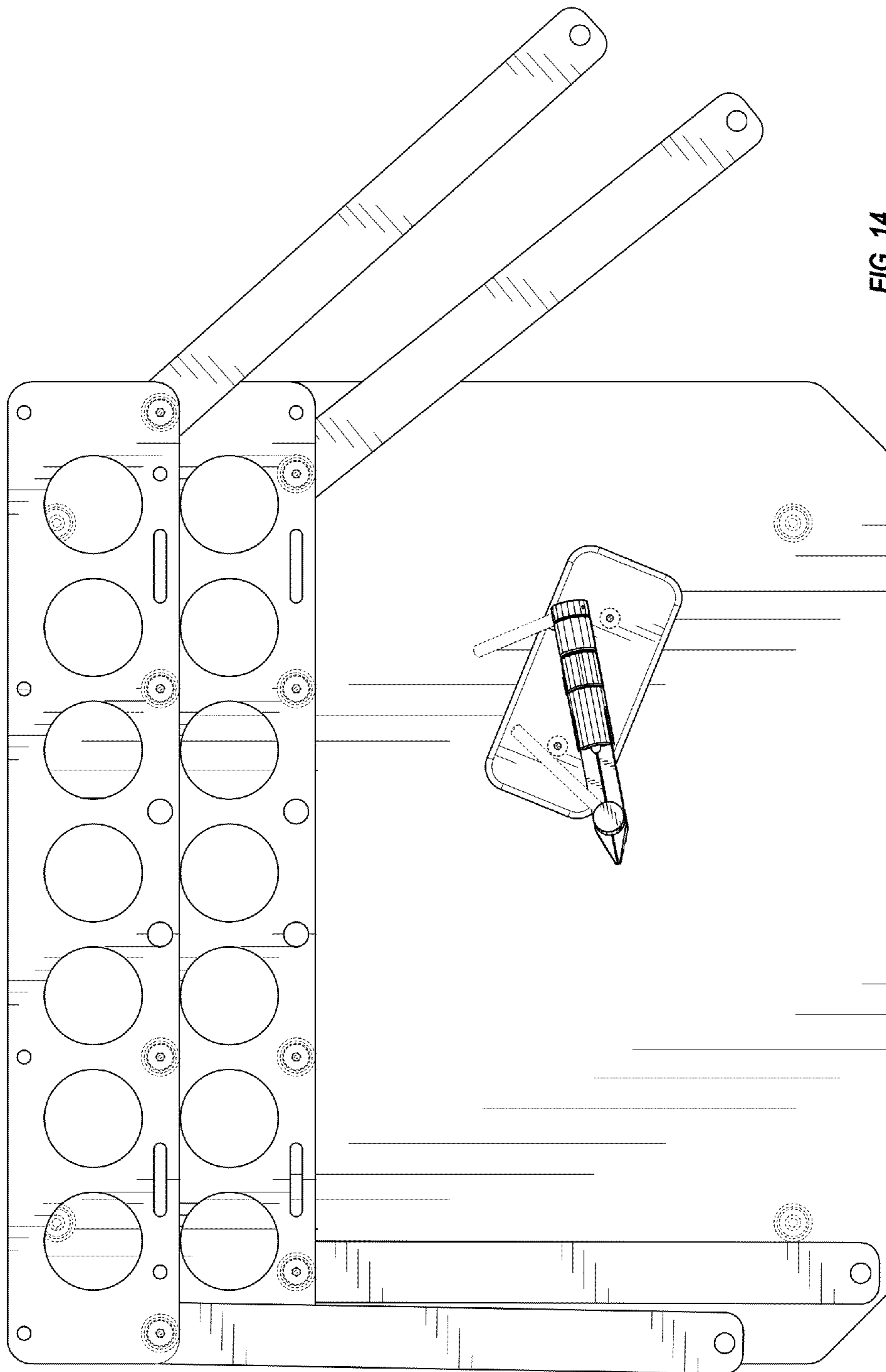


FIG. 14

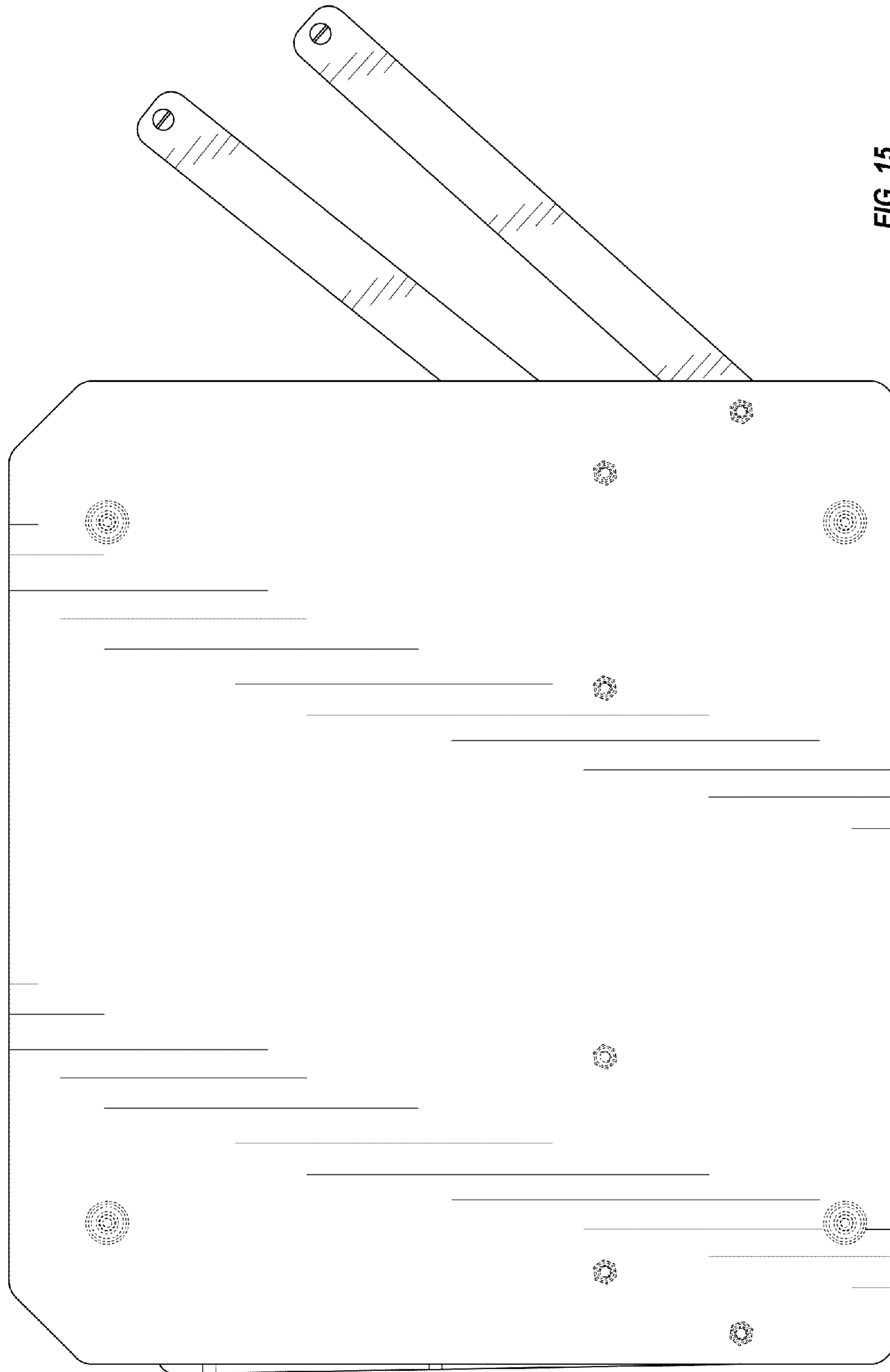


FIG. 15



UNITED STATES PATENT AND TRADEMARK OFFICE  
**CERTIFICATE OF CORRECTION**

PATENT NO. : D689,977 S  
APPLICATION NO. : 29/427015  
DATED : September 17, 2013  
INVENTOR(S) : Plott

Page 1 of 1

It is certified that error appears in the above-identified patent and that said Letters Patent is hereby corrected as shown below:

Title Page 1 Left-handed Column

Change Primary Examiner from "Catheri Oliver-Garcia" to --Catherine R. Oliver-Garcia--

Signed and Sealed this  
Fourth Day of February, 2014



Michelle K. Lee  
*Deputy Director of the United States Patent and Trademark Office*