



US00D689974S

(12) **United States Design Patent**
Sharps

(10) **Patent No.:** **US D689,974 S**

(45) **Date of Patent:** **** Sep. 17, 2013**

(54) **FIREARM RECEIVER HAVING SHARK DESIGN**

Primary Examiner — Michael A Pratt

(74) *Attorney, Agent, or Firm* — Lowe Graham Jones PLLC

(76) Inventor: **John W. Sharps**, Bellevue, WA (US)

(**) Term: **14 Years**

(57) **CLAIM**

I claim the ornamental design for the firearm receiver having shark design, as shown and described.

(21) Appl. No.: **29/418,217**

(22) Filed: **Apr. 13, 2012**

(51) **LOC (9) Cl.** **22-01**

(52) **U.S. Cl.**
USPC **D22/108**

(58) **Field of Classification Search**

USPC D22/108; D21/572-573; 124/67,
124/66, 72, 74; 89/40.06, 41.19, 37.04, 33.04,
89/191.01, 200-204

See application file for complete search history.

DESCRIPTION

FIG. 1 is a perspective view of the firearm receiver having shark design, showing my new design.

FIG. 2 is a front view of the firearm receiver having shark design.

FIG. 3 is a back view of the firearm receiver having shark design.

FIG. 4 is a top view of the firearm receiver having shark design.

FIG. 5 is a bottom view of the firearm receiver having shark design.

FIG. 6 is a left side view of the firearm receiver having shark design; and,

FIG. 7 is a right side view of the firearm receiver having shark design.

Aspects illustrated in phantom lines in each of the figures form no part of the claimed invention.

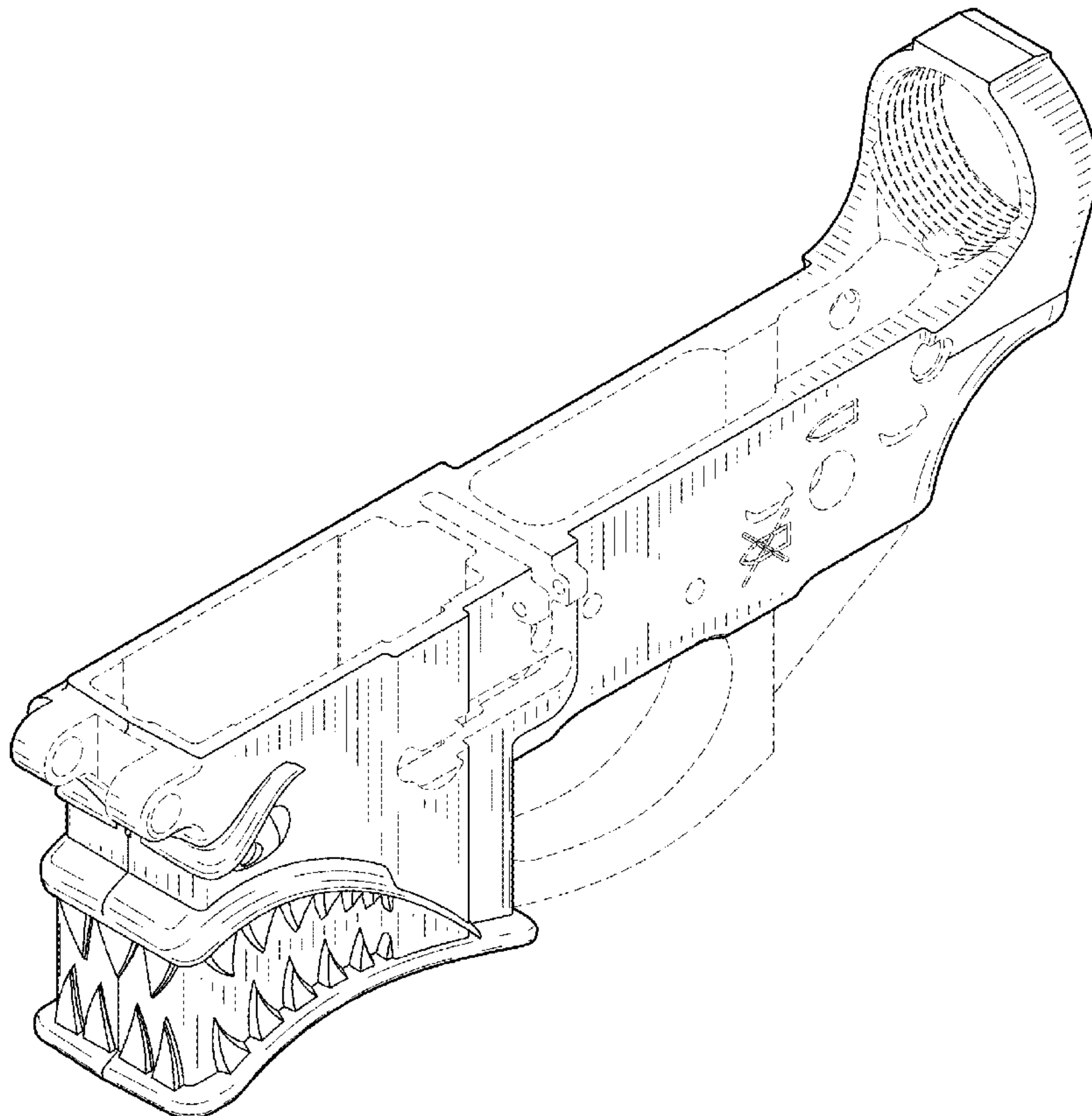
(56) **References Cited**

U.S. PATENT DOCUMENTS

5,251,533	A *	10/1993	Layton	89/142
D544,063	S *	6/2007	Swan	D22/108
8,015,742	B2 *	9/2011	Zedrosser	42/70.04
8,327,749	B2 *	12/2012	Underwood	89/138
2011/0247483	A1 *	10/2011	Overstreet et al.	89/138
2012/0132068	A1 *	5/2012	Kucynko	89/191.01
2012/0167433	A1 *	7/2012	Robbins et al.	42/75.02
2012/0297656	A1 *	11/2012	Langevin et al.	42/16

* cited by examiner

1 Claim, 5 Drawing Sheets



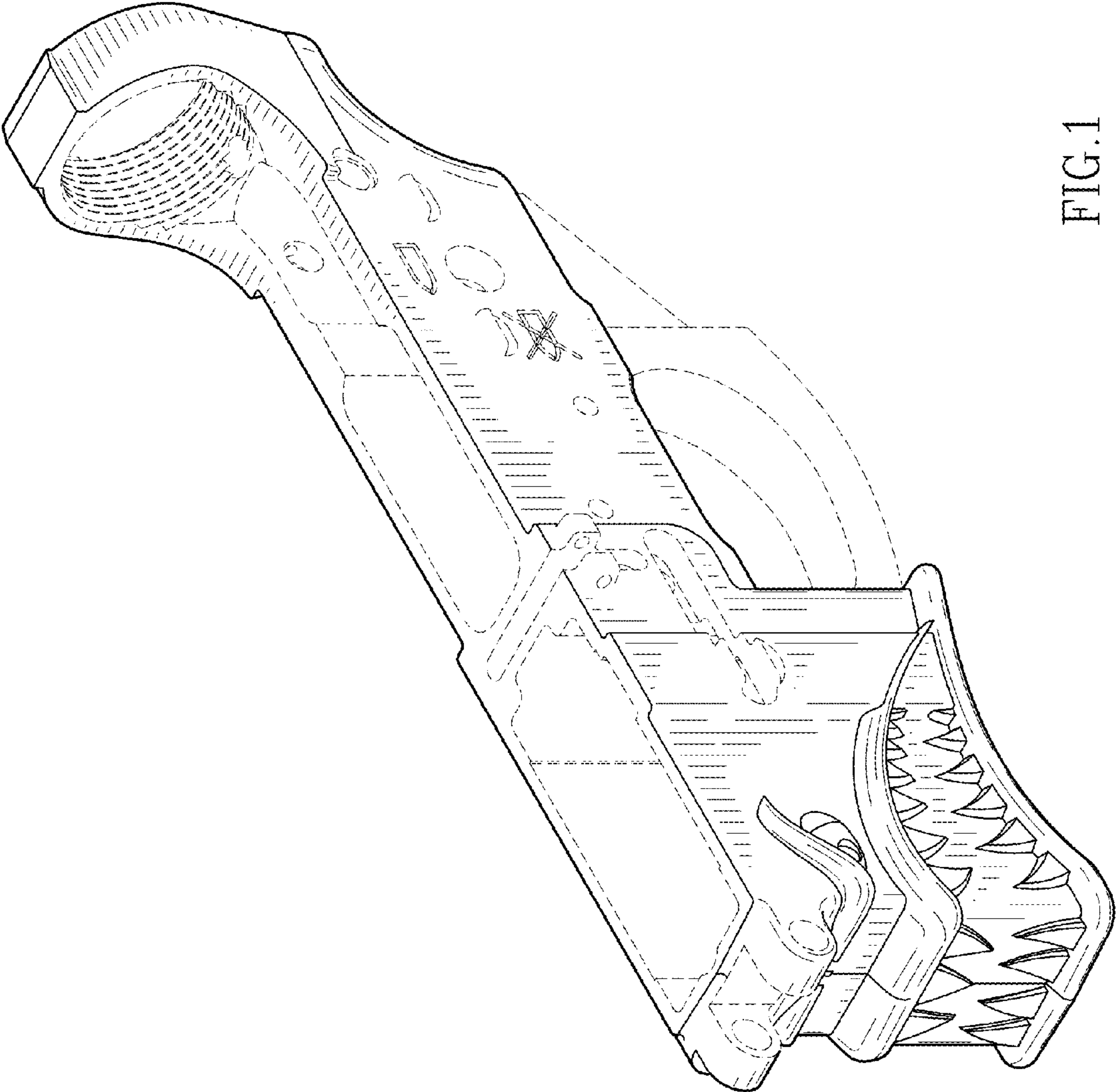


FIG.1

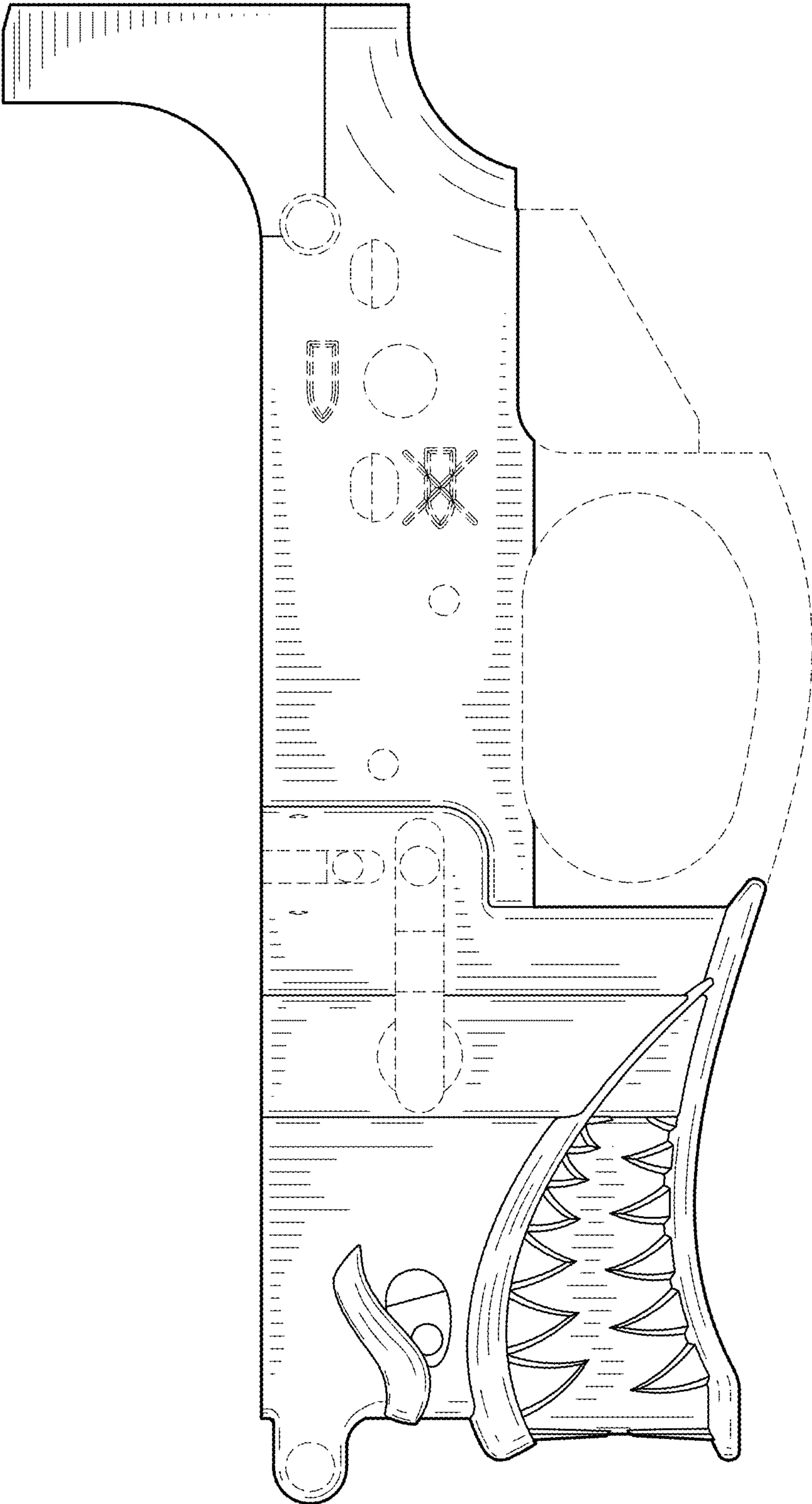


FIG.2

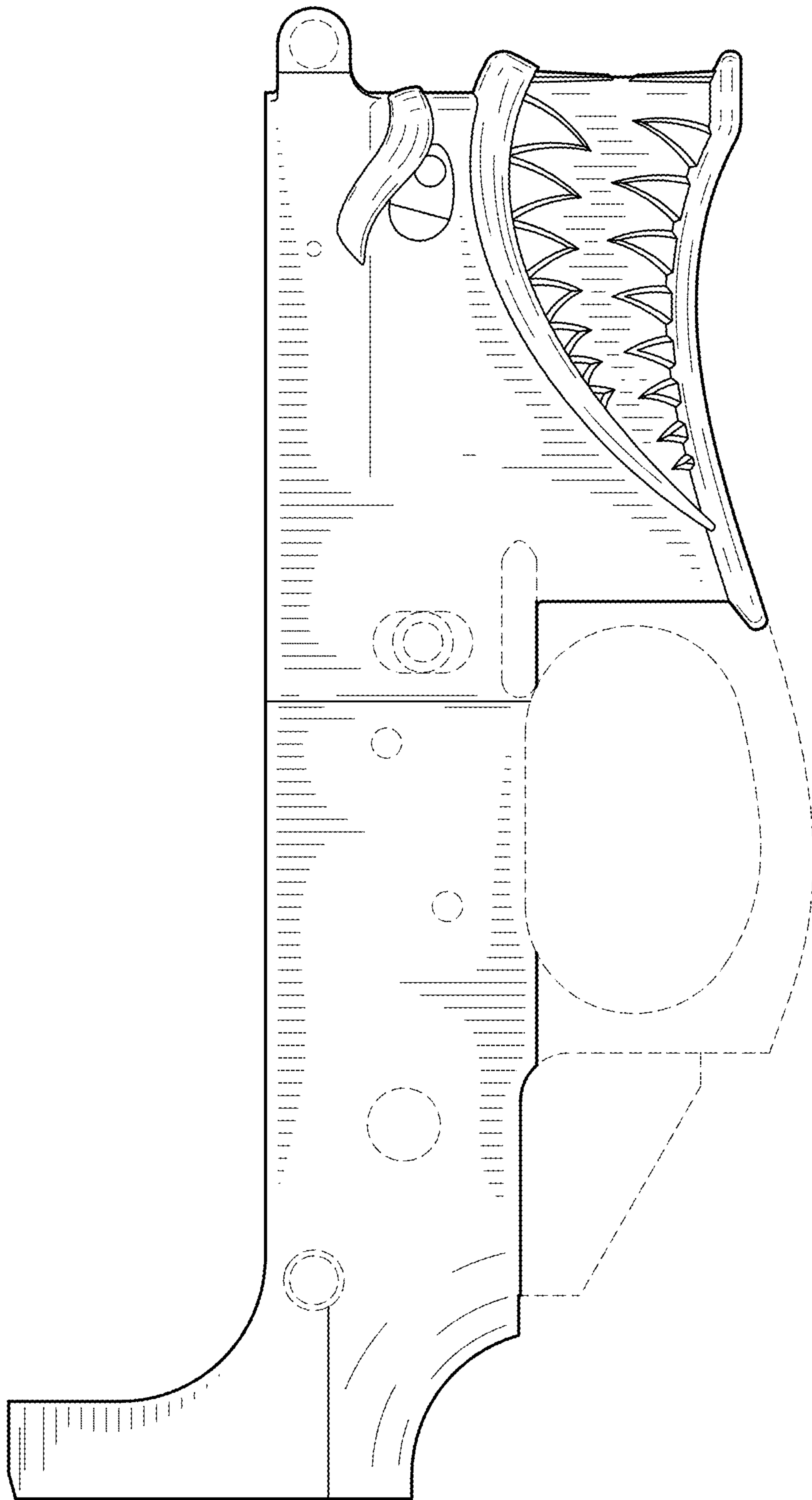


FIG. 3

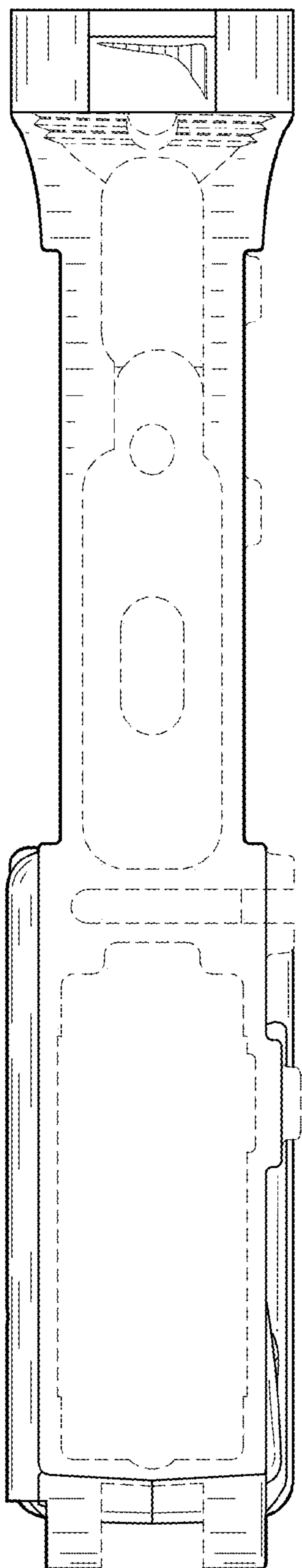


FIG. 4

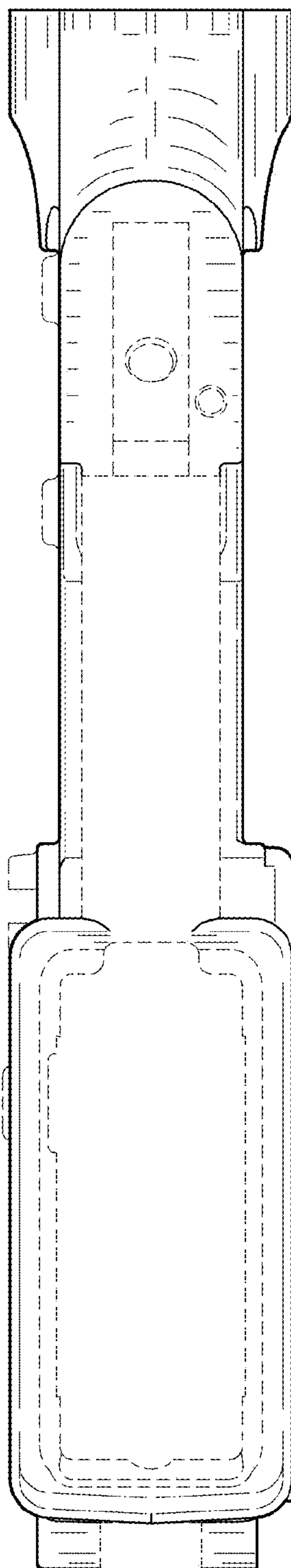


FIG. 5

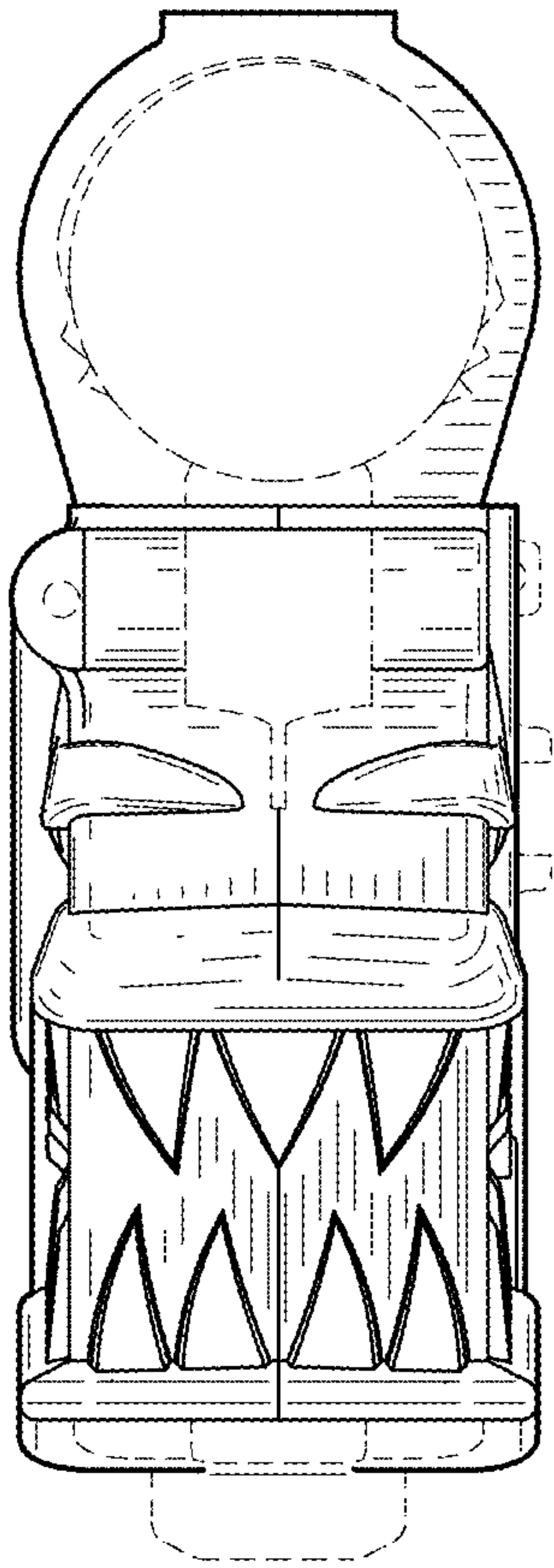


FIG. 6

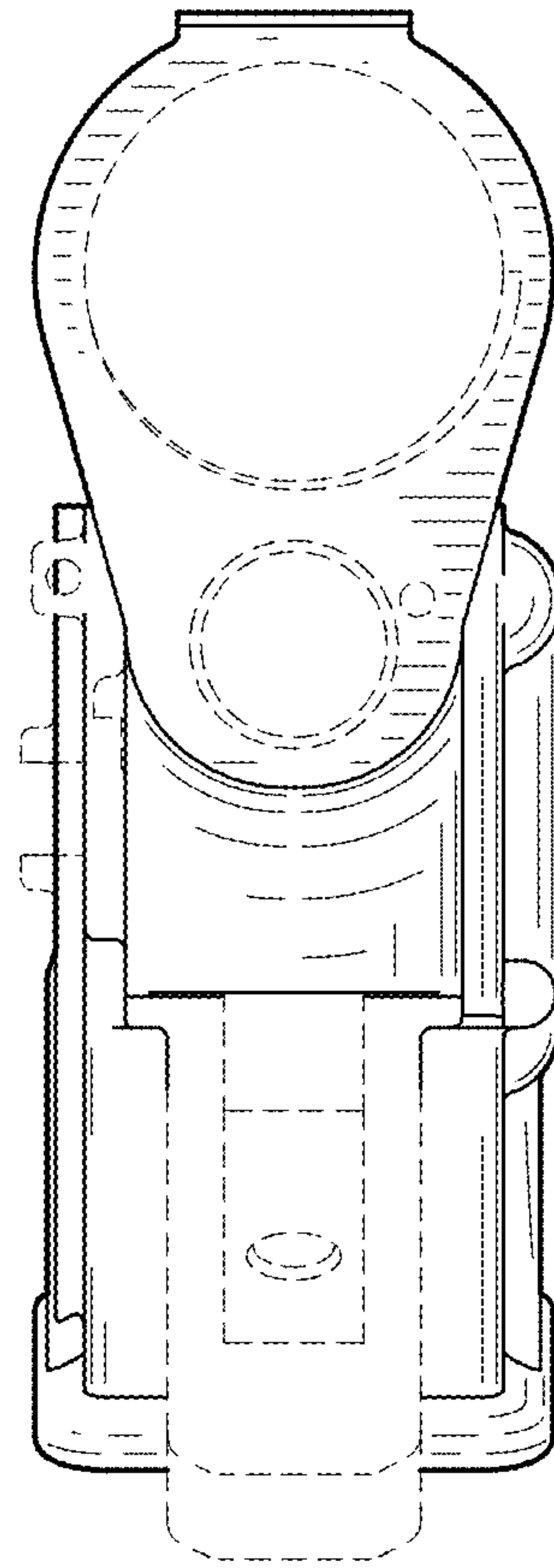


FIG. 7