



US00D689971S

(12) **United States Design Patent**  
**Pelchat et al.**

(10) **Patent No.:** **US D689,971 S**

(45) **Date of Patent:** **\*\* Sep. 17, 2013**

(54) **SNOWBOARD BINDING**

(75) Inventors: **Jean-Francois Pelchat**, Whistler (CA);  
**Alex Warburton**, Garibaldi Highlands  
(CA)

(73) Assignee: **NOW Snowboarding Inc.**, Whistler  
(CA)

(\*\*) Term: **14 Years**

(21) Appl. No.: **29/415,887**

(22) Filed: **Mar. 15, 2012**

(51) **LOC (9) Cl.** ..... **21-02**

(52) **U.S. Cl.**  
USPC ..... **D21/773; D21/774**

(58) **Field of Classification Search**  
USPC ..... D21/760, 761, 765, 766, 768, 771-777;  
441/68-70; D2/904;  
280/11.3, 11.31, 601-606, 609-610, 842  
See application file for complete search history.

(56) **References Cited**

U.S. PATENT DOCUMENTS

2,740,972	A	4/1956	Taylor	
2,933,741	A	4/1960	Walter	
3,102,279	A	9/1963	Bennett	
3,127,623	A	4/1964	Roudebush	
4,728,116	A	3/1988	Hill	
4,871,337	A	10/1989	Harris	
5,021,017	A	6/1991	Ott	
5,028,068	A	7/1991	Donovan	
5,044,656	A	9/1991	Peyre	
5,261,689	A	11/1993	Carpenter et al.	
5,277,635	A	1/1994	Gillis	
D346,419	S *	4/1994	Carpenter	D21/773
5,354,088	A	10/1994	Vetter et al.	
5,356,170	A	10/1994	Carpenter et al.	

5,433,636	A	7/1995	Gillis	
5,480,176	A *	1/1996	Sims	280/618
5,499,837	A	3/1996	Hale et al.	
5,505,478	A *	4/1996	Napoliello	280/618
5,553,883	A	9/1996	Erb	

(Continued)

FOREIGN PATENT DOCUMENTS

CA	2247950	9/1997
CH	678278	8/1991

(Continued)

Primary Examiner — Zenia Bennett

(74) *Attorney, Agent, or Firm* — Oyen Wiggs Green & Mutala LLP

(57) **CLAIM**

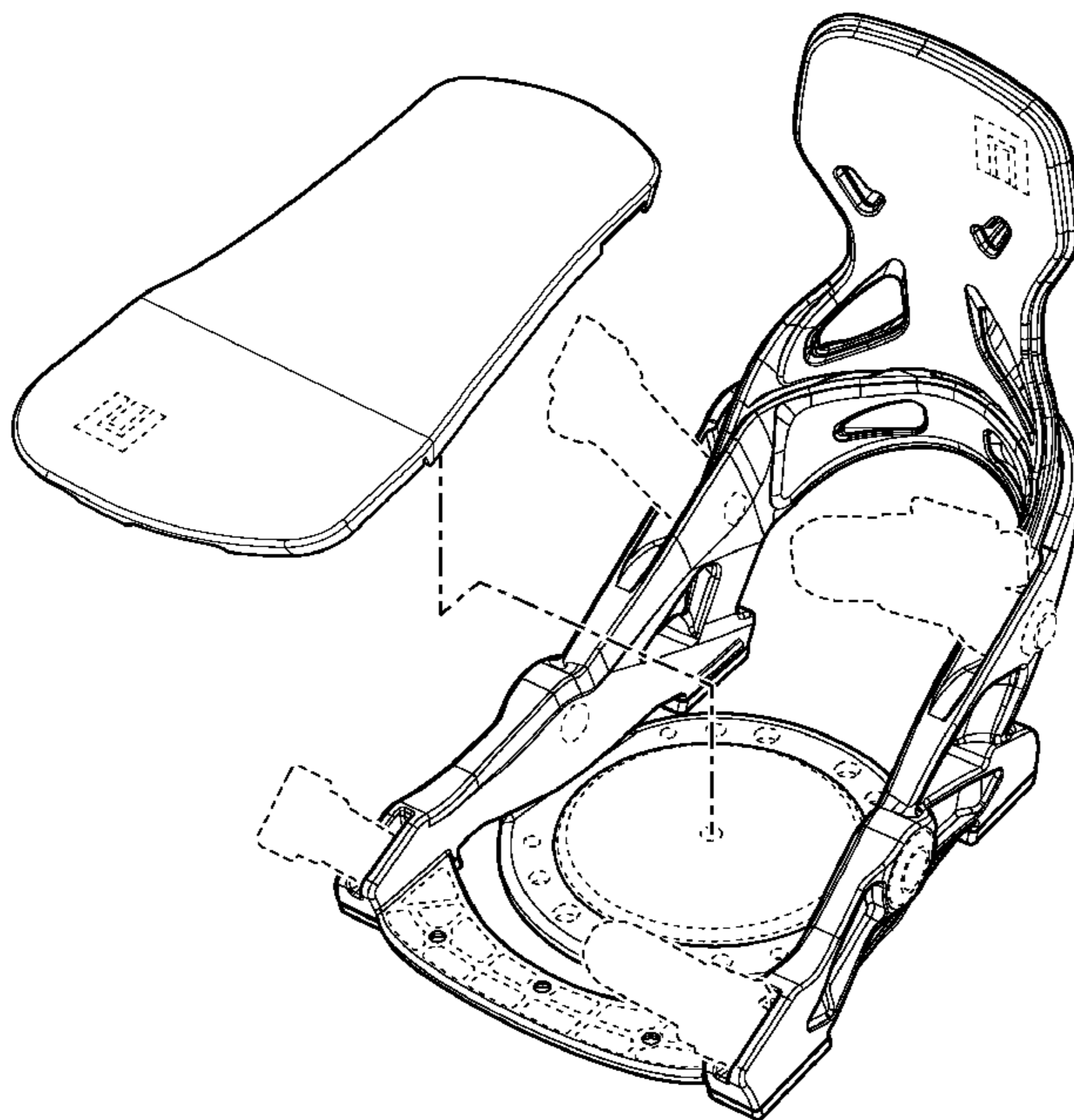
The ornamental design for a snowboard binding, as shown and described.

**DESCRIPTION**

FIG. 1 is a first isometric view of the snowboard binding; FIG. 2 is a partially exploded second isometric view of the snowboard binding; FIG. 3 is a third isometric view of the snowboard binding; FIG. 4 is a fourth isometric view of the snowboard binding with its highback pivoted forwardly; FIG. 5 is left side view of the snowboard binding; FIG. 6 is a right side view of the snowboard binding; FIG. 7 is a rear view of the snowboard binding; FIG. 8 is front view of the snowboard binding; FIG. 9 is a top plan view of the snowboard binding; FIG. 10 is bottom plan view of the snowboard binding; and, FIG. 11 is an exploded isometric view of the snowboard binding.

The broken lines in the drawing are for illustrative purposes only and form no part of the claimed design.

**1 Claim, 11 Drawing Sheets**



(56)

References Cited

U.S. PATENT DOCUMENTS

5,556,123 A \* 9/1996 Fournier ..... 280/607  
 5,577,755 A 11/1996 Metzger et al.  
 5,584,492 A 12/1996 Fardie  
 5,586,779 A 12/1996 Dawes et al.  
 5,660,410 A 8/1997 Alden  
 5,667,237 A 9/1997 Lauer  
 5,826,910 A 10/1998 Ricks et al.  
 D409,703 S \* 5/1999 Lee ..... D21/773  
 5,899,483 A 5/1999 Paris  
 D410,985 S \* 6/1999 Lee ..... D21/773  
 5,909,893 A 6/1999 Keller et al.  
 5,915,718 A 6/1999 Dodge  
 5,947,488 A 9/1999 Gorza et al.  
 5,947,508 A 9/1999 Graf et al.  
 5,967,531 A 10/1999 Sallet  
 5,967,542 A 10/1999 Williams et al.  
 5,975,557 A 11/1999 Snoke et al.  
 5,984,346 A 11/1999 Keller  
 6,015,161 A 1/2000 Carlson  
 D422,663 S \* 4/2000 Vukelic et al. .... D21/773  
 6,062,584 A 5/2000 Sabol  
 6,082,026 A 7/2000 Sand et al.  
 6,089,581 A 7/2000 Partridge  
 6,099,018 A 8/2000 Maravetz et al.  
 D431,275 S \* 9/2000 Blankenbaker, Jr. .... D21/773  
 6,155,578 A 12/2000 Patterson  
 6,189,899 B1 2/2001 Carlson  
 6,189,911 B1 2/2001 Caron et al.  
 6,203,051 B1 3/2001 Sabol  
 D446,836 S \* 8/2001 Lee ..... D21/773  
 6,302,428 B1 10/2001 Jungkind  
 6,336,650 B1 1/2002 Alspaugh  
 D455,187 S \* 4/2002 Janisch ..... D21/773  
 6,382,641 B2 5/2002 Dennis et al.  
 6,390,492 B1 5/2002 Bumgarner et al.  
 6,428,032 B1 8/2002 Humbel

6,457,736 B1 10/2002 Maravetz et al.  
 6,485,035 B1 11/2002 Laughlin et al.  
 6,491,310 B1 12/2002 Work  
 6,523,851 B1 2/2003 Maravetz  
 6,581,944 B1 6/2003 Marmonier et al.  
 6,631,919 B1 10/2003 West et al.  
 6,736,413 B2 5/2004 Laughlin et al.  
 6,789,806 B2 9/2004 Santa Cruz et al.  
 6,945,544 B2 9/2005 Feurer et al.  
 7,063,346 B2 6/2006 Elkington  
 7,077,403 B2 7/2006 Laughlin et al.  
 7,204,495 B2 4/2007 Reuss et al.  
 7,566,062 B2 7/2009 Reuss et al.  
 7,748,729 B2 7/2010 Laughlin et al.  
 7,992,888 B2 8/2011 Steere  
 2001/0038182 A1 11/2001 Carlson  
 2002/0185840 A1 12/2002 Schaller et al.  
 2002/0185841 A1 12/2002 Schaller et al.  
 2003/0011171 A1 1/2003 Battistella  
 2003/0042709 A1 3/2003 Dodge  
 2003/0116931 A1 6/2003 Quattro et al.  
 2003/0178812 A1 9/2003 Schaller et al.  
 2003/0189316 A1 10/2003 Schaller et al.  
 2003/0209881 A1 11/2003 Krumbeck et al.  
 2003/0230870 A1 12/2003 Sabol  
 2004/0017064 A1 1/2004 Brown et al.  
 2005/0167933 A1 8/2005 Couderc  
 2005/0248129 A1 11/2005 Pelchat  
 2010/0295269 A1 11/2010 Krenn et al.

FOREIGN PATENT DOCUMENTS

EP 0351298 1/1990  
 EP 0612546 8/1994  
 EP 1741474 1/2007  
 FR 2715861 8/1995  
 WO 9703733 2/1997  
 WO 02053240 7/2002  
 WO 02076561 10/2002

\* cited by examiner

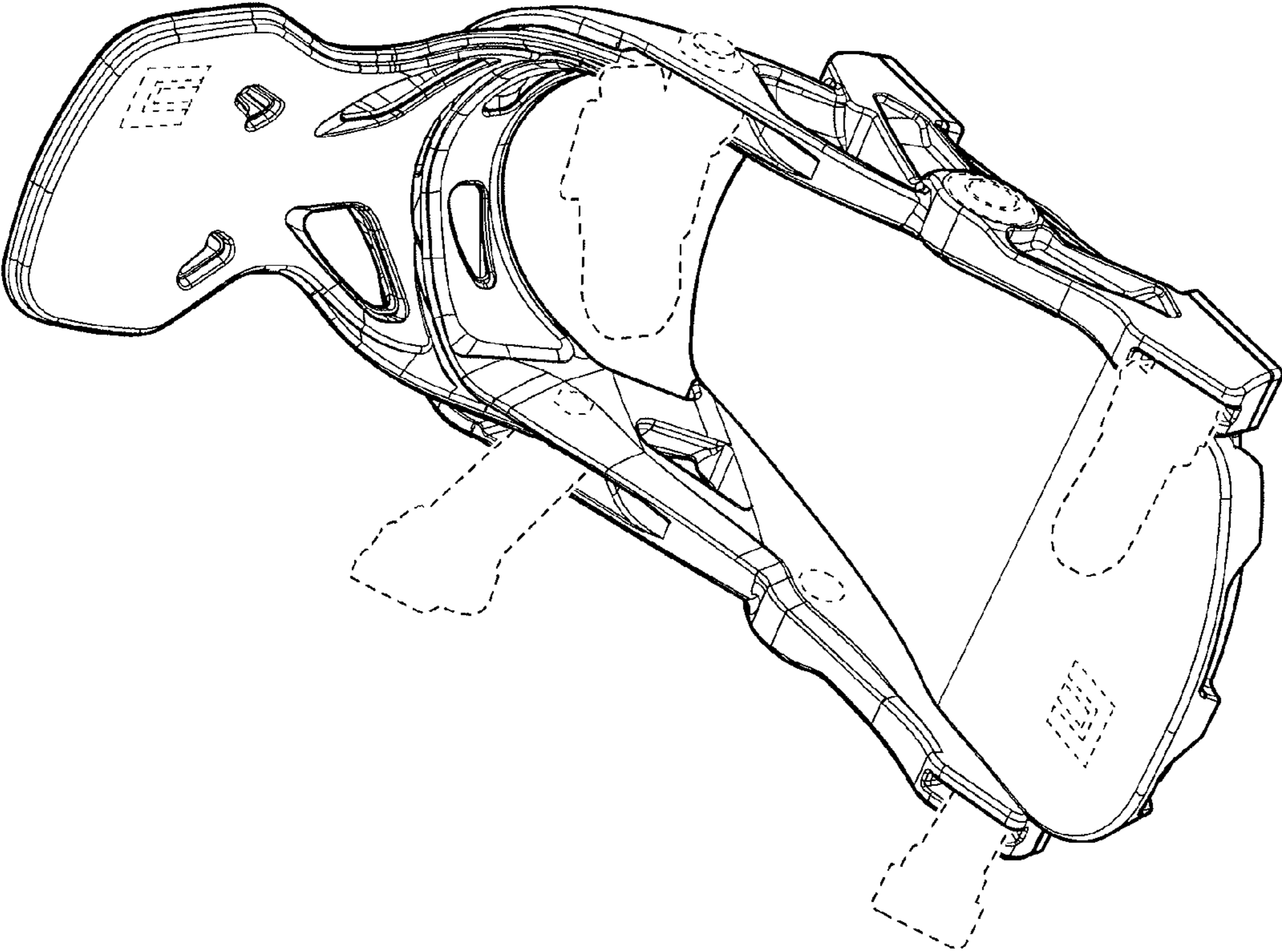


FIG. 1



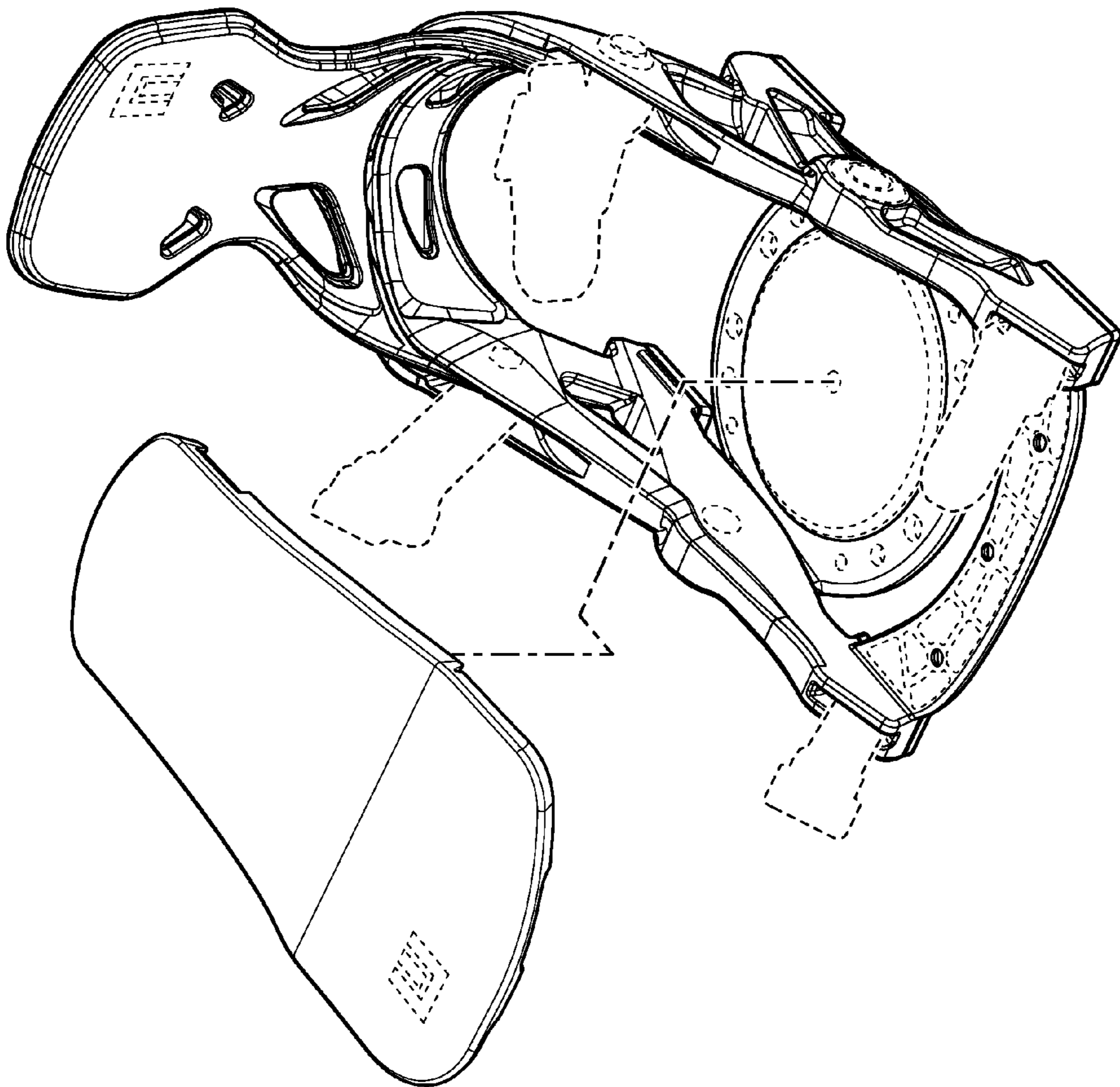


FIG. 2

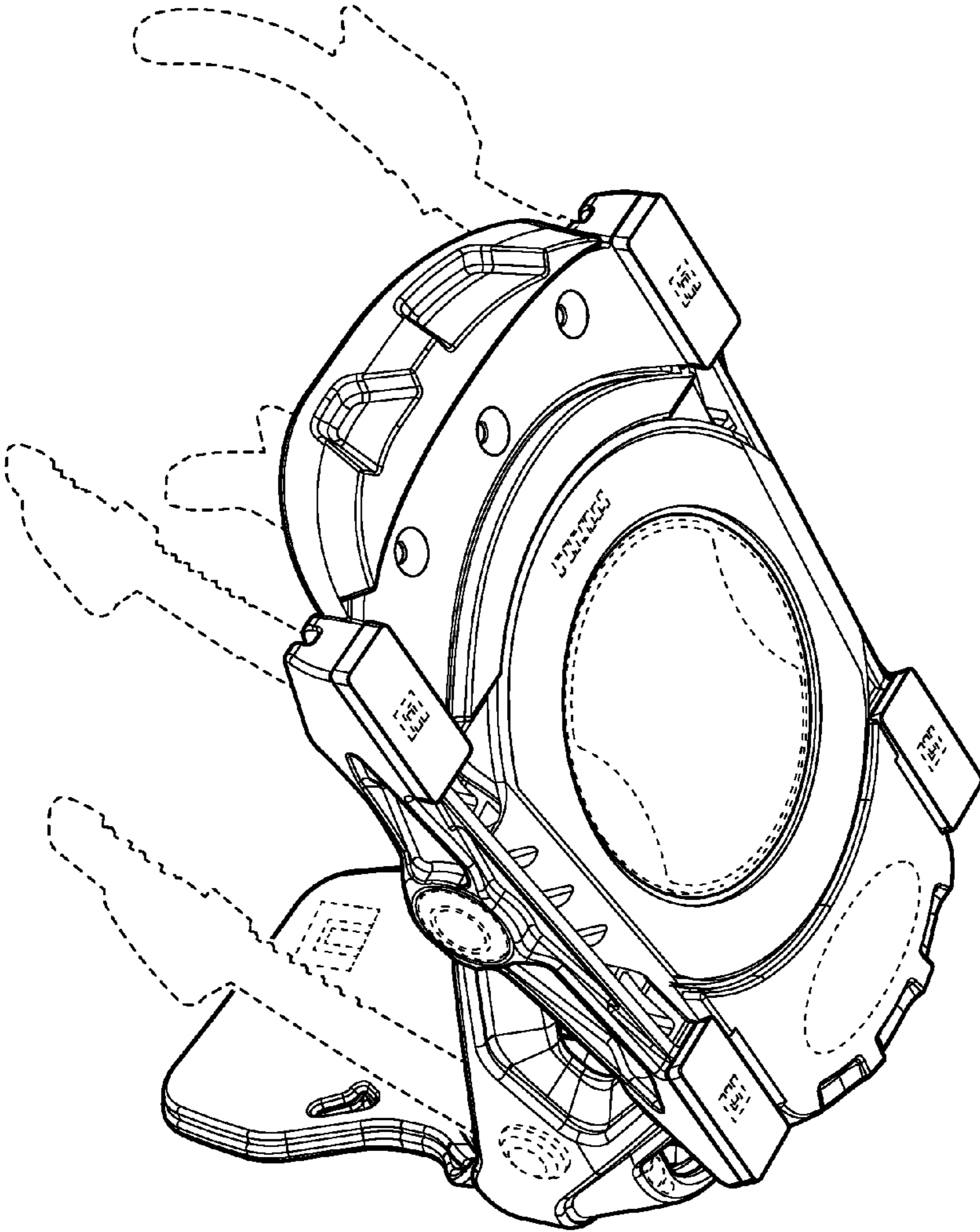
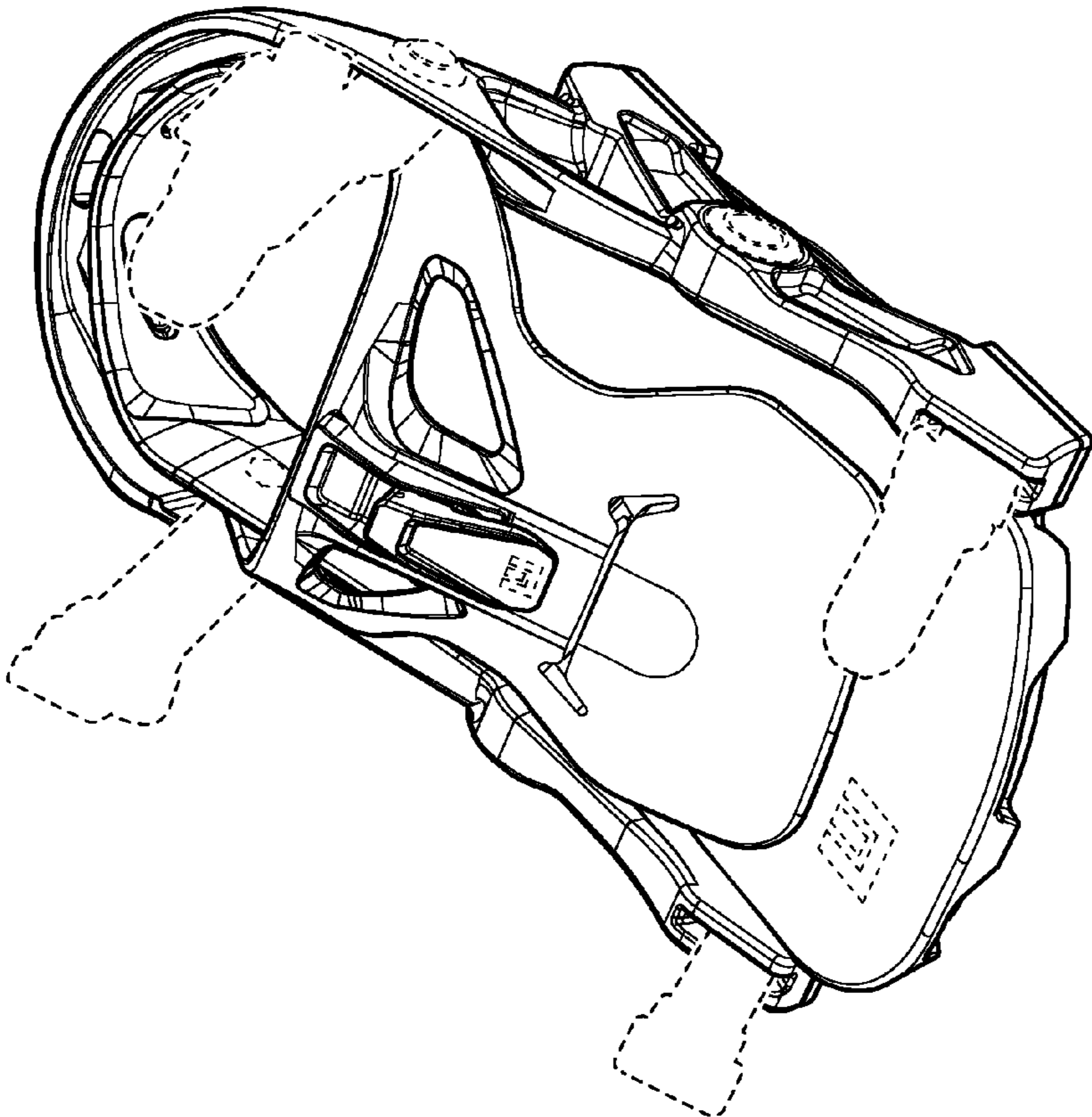


FIG. 3

FIG. 4



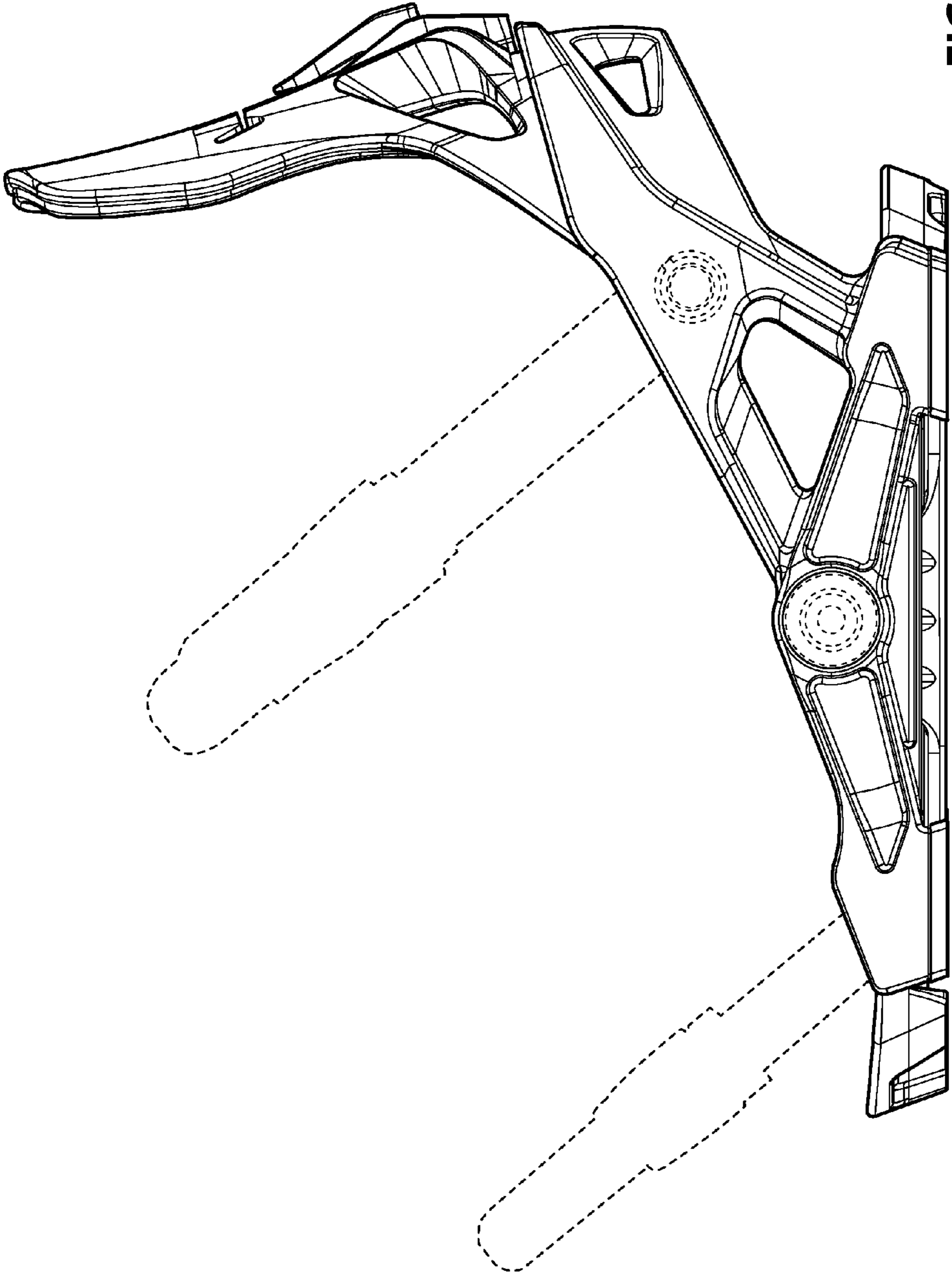


FIG. 5



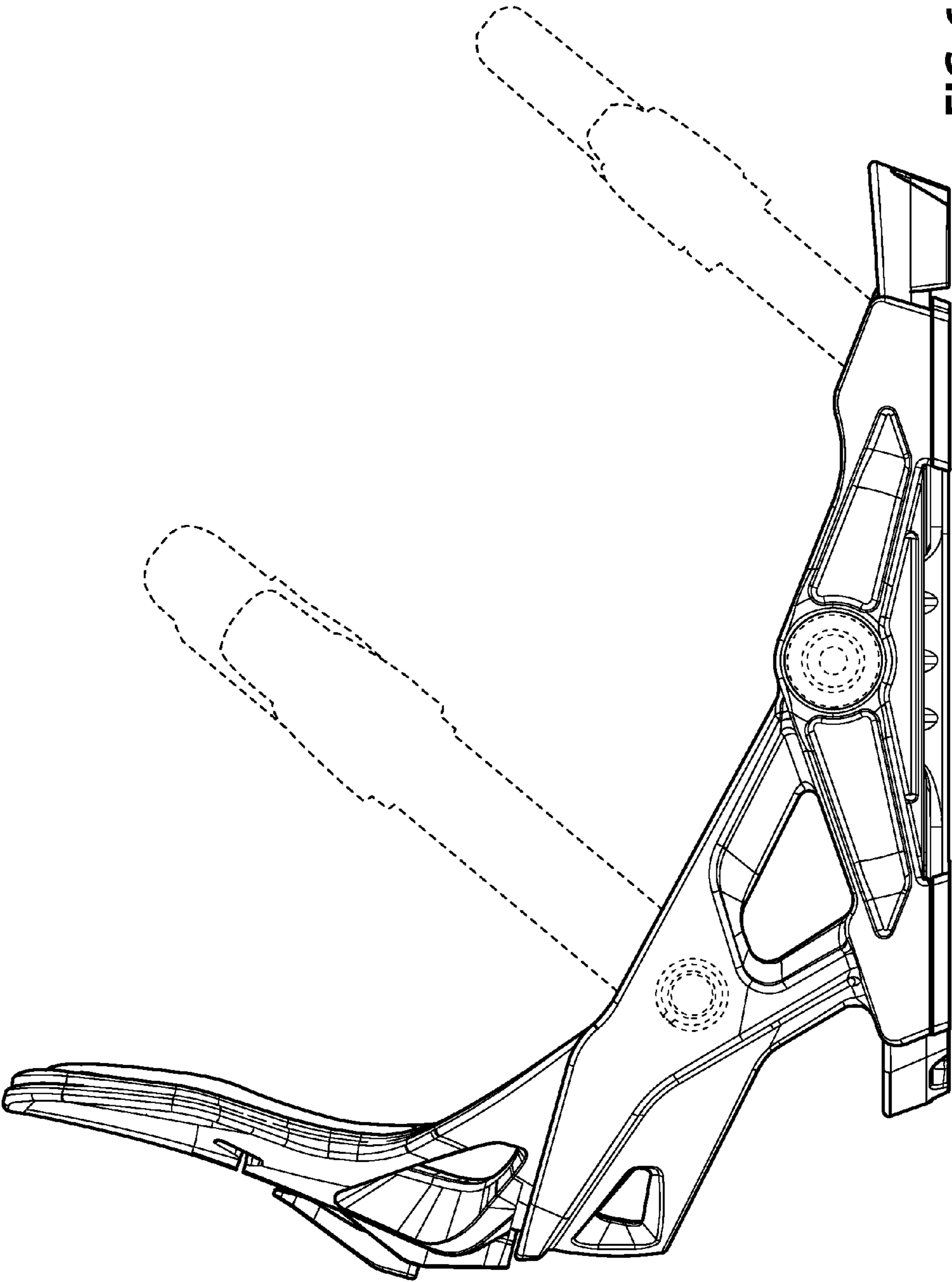


FIG. 6



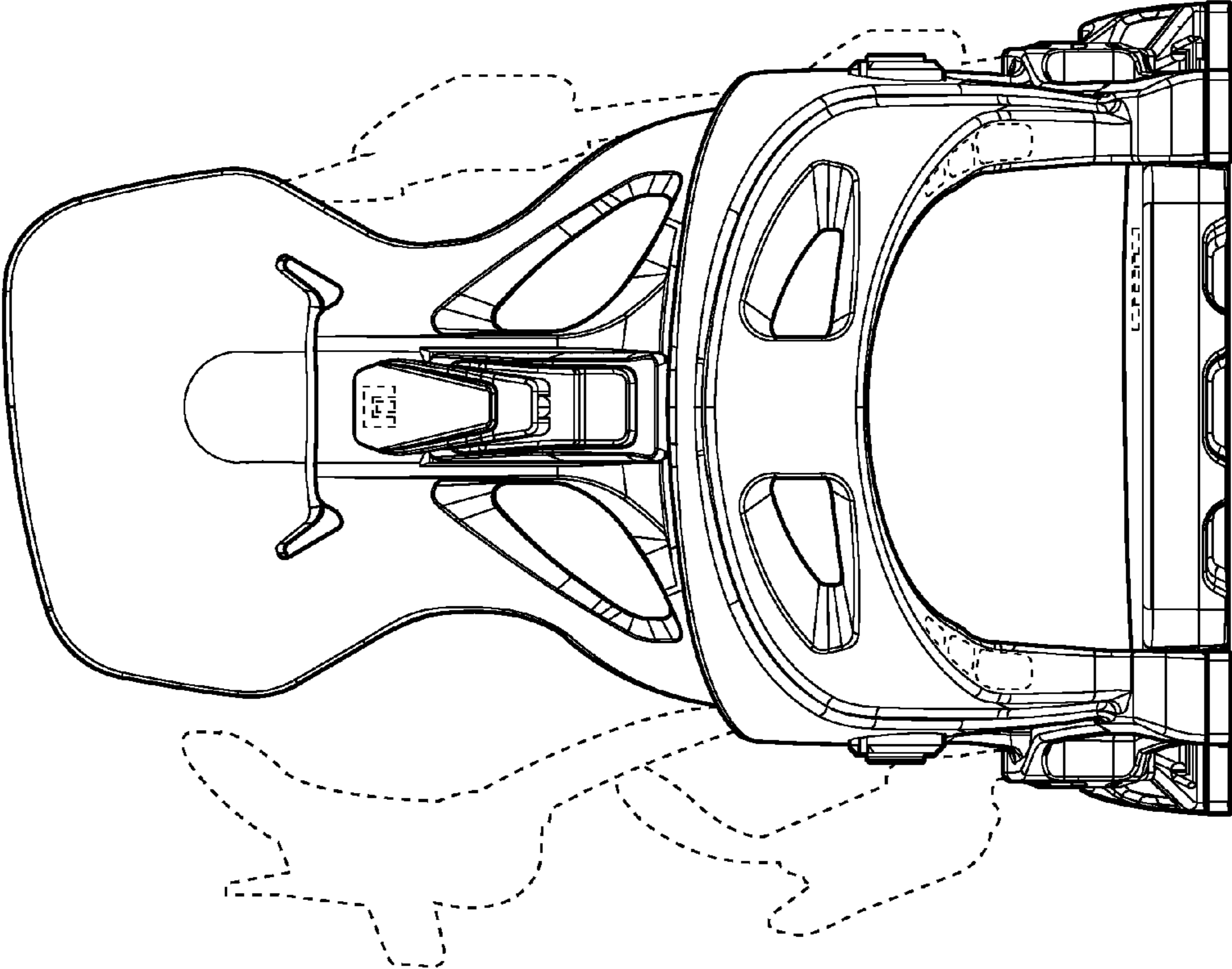


FIG. 7

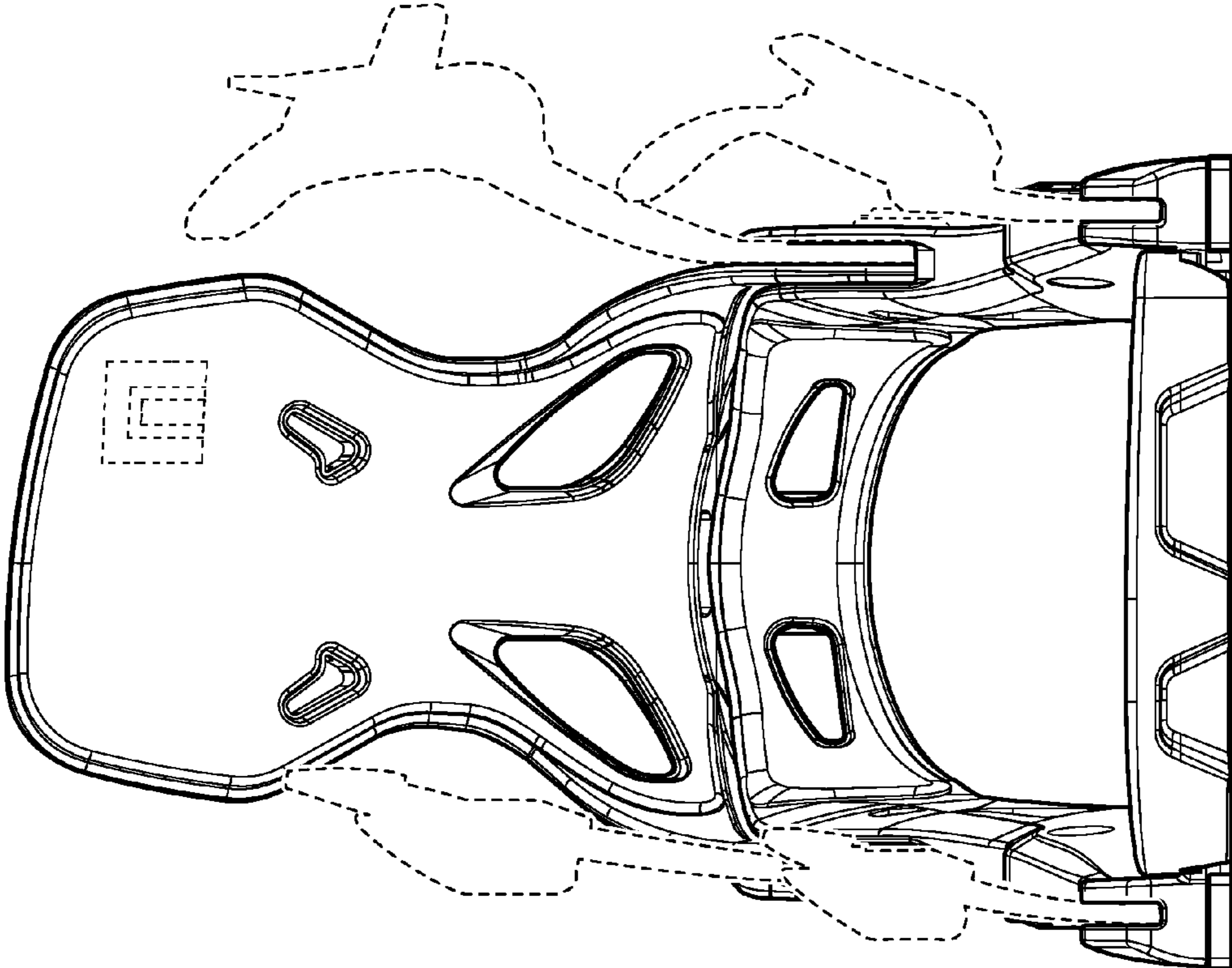


FIG. 8

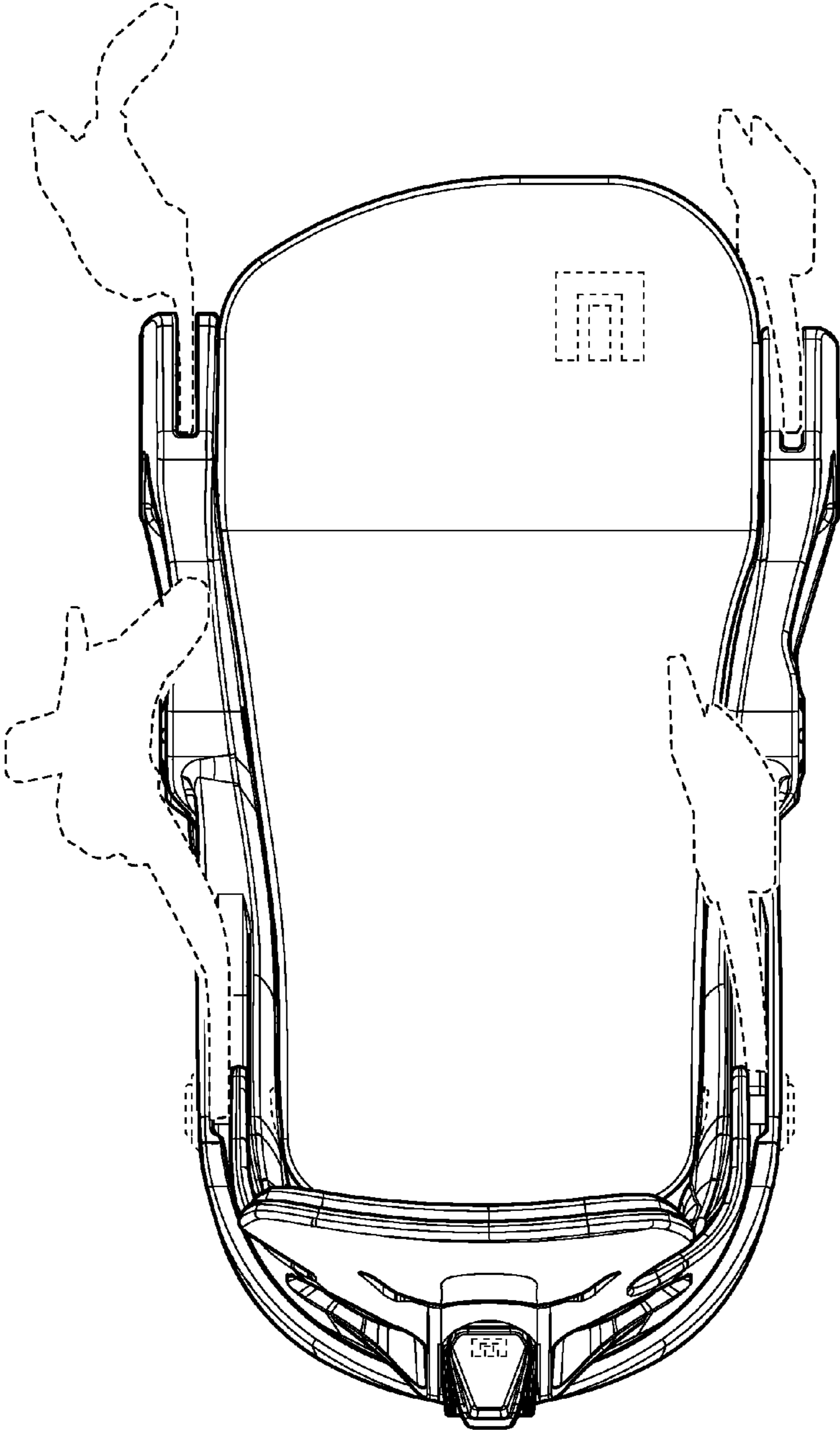


FIG. 9

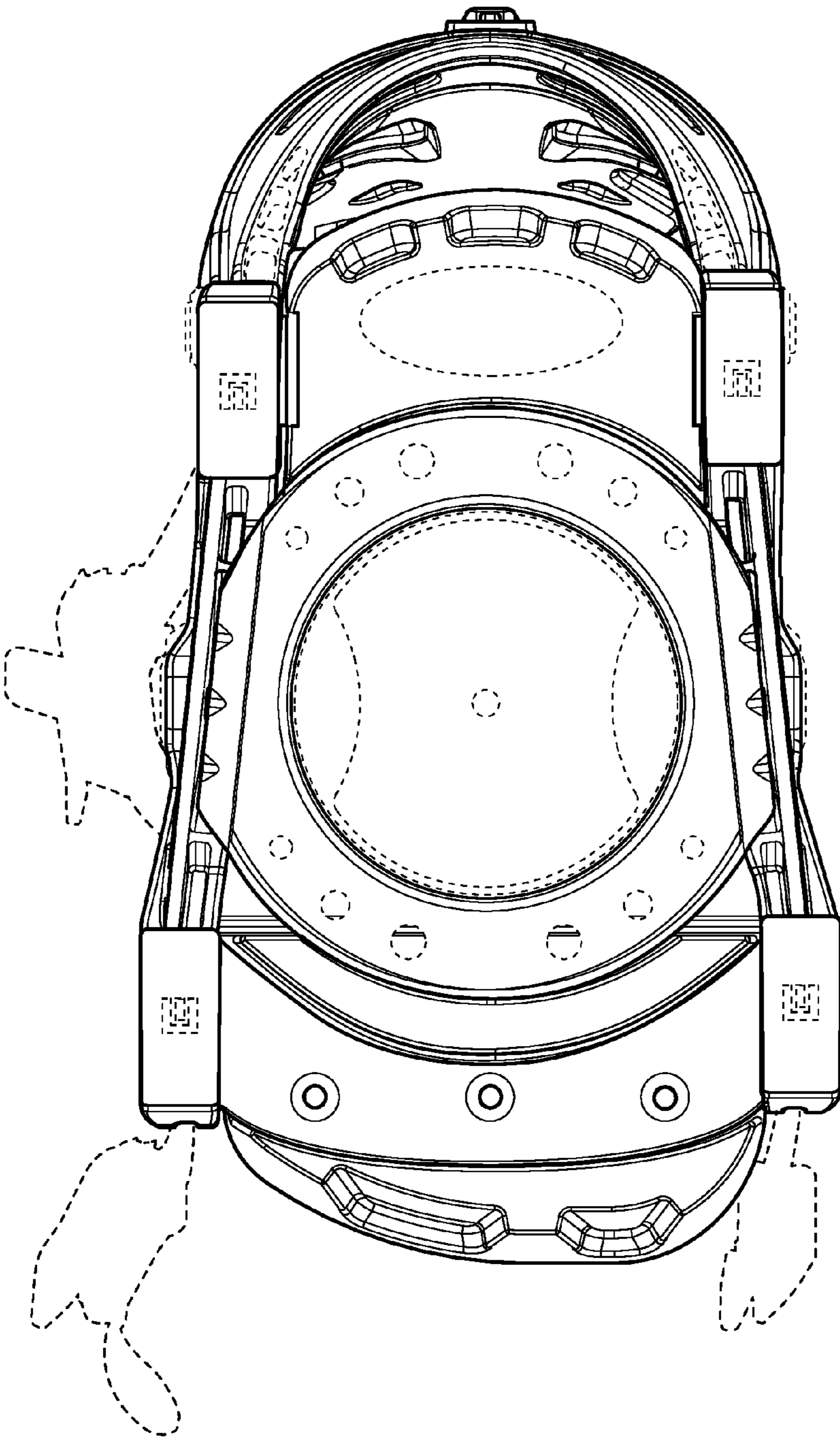


FIG. 10



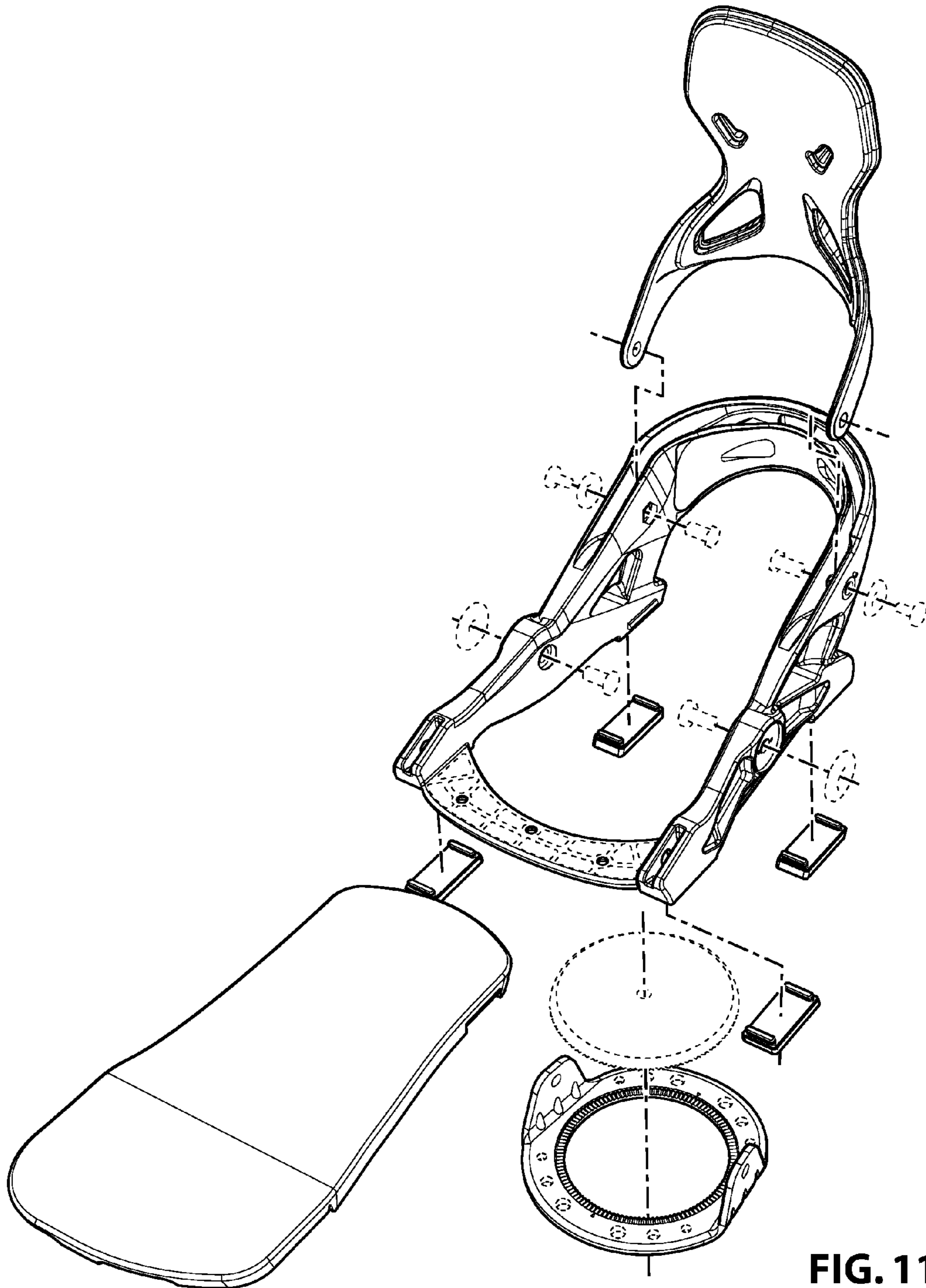


FIG. 11