



US00D689968S

(12) **United States Design Patent**
Jones

(10) **Patent No.:** **US D689,968 S**

(45) **Date of Patent:** **** Sep. 17, 2013**

(54) **GOLF PUTTER HEAD WITH SHAFT ATTACHMENT**

(71) Applicant: **Floyd B. Jones**, El Cajon, CA (US)

(72) Inventor: **Floyd B. Jones**, El Cajon, CA (US)

(**) Term: **14 Years**

(21) Appl. No.: **29/450,389**

(22) Filed: **Mar. 18, 2013**

Related U.S. Application Data

(62) Division of application No. 29/404,247, filed on Oct. 18, 2011, now Pat. No. Des. 678,441.

(51) **LOC (9) Cl.** **21-02**

(52) **U.S. Cl.**
USPC **D21/742**

(58) **Field of Classification Search**
USPC D21/736-746; 473/324-331, 340-341,
473/251-256

See application file for complete search history.

(56) **References Cited**

U.S. PATENT DOCUMENTS

D230,615	S	*	3/1974	Delgadillo	D21/735
D241,563	S	*	9/1976	McCord	D21/735
4,688,798	A	*	8/1987	Pelz	473/249
4,809,977	A	*	3/1989	Doran et al.	473/249
4,809,981	A	*	3/1989	Doran et al.	473/249
D307,309	S	*	4/1990	Doran et al.	D21/735
D307,931	S	*	5/1990	Doran et al.	D21/735
D309,765	S	*	8/1990	Pelz	D21/735
D309,766	S	*	8/1990	Pelz	D21/735
D317,962	S	*	7/1991	Pelz	D21/735
D356,846	S	*	3/1995	Murrill	D21/741
D374,470	S	*	10/1996	Steele	D21/745

D380,801	S	*	7/1997	Steele	D21/744
D529,560	S	*	10/2006	Madore	D21/743
D534,974	S	*	1/2007	Haack	D21/743
D584,779	S	*	1/2009	Sano	D21/736
D641,439	S	*	7/2011	Rollinson et al.	D21/736
D641,814	S	*	7/2011	Hilton et al.	D21/742

* cited by examiner

Primary Examiner — Mitchell Siegel

(74) *Attorney, Agent, or Firm* — Richard D. Clarke

(57) **CLAIM**

I claim the ornamental design for a golf putter head with shaft attachment, as shown and described.

DESCRIPTION

FIG. 1 is a front, side and top perspective view of the golf putter head with shaft attachment, shown in place on the end of a golf club shaft;

FIG. 2 is a top view of the golf putter head with shaft attachment;

FIG. 3 is a bottom view of the golf putter head with shaft attachment;

FIG. 4 is a front view of the golf putter head with shaft attachment;

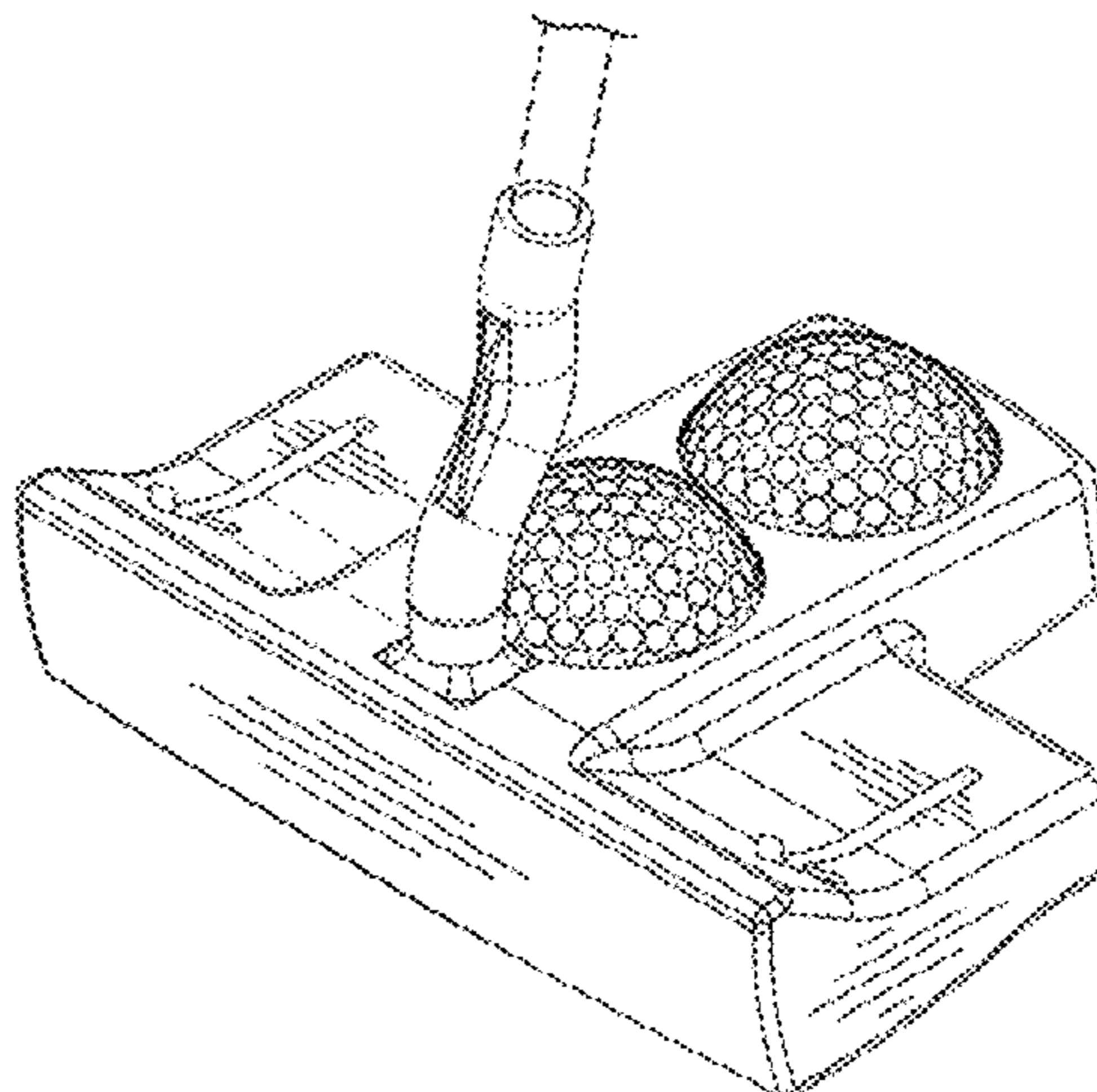
FIG. 5 is a rear view of the golf putter head with shaft attachment;

FIG. 6 is a side elevation view of the left side of the golf putter head with shaft attachment; and,

FIG. 7 is a side elevation view of the right side of the golf putter head with shaft attachment.

The broken line showing of environment in FIG. 1 is included for the purpose of illustration only and forms no part of the claimed design.

1 Claim, 2 Drawing Sheets



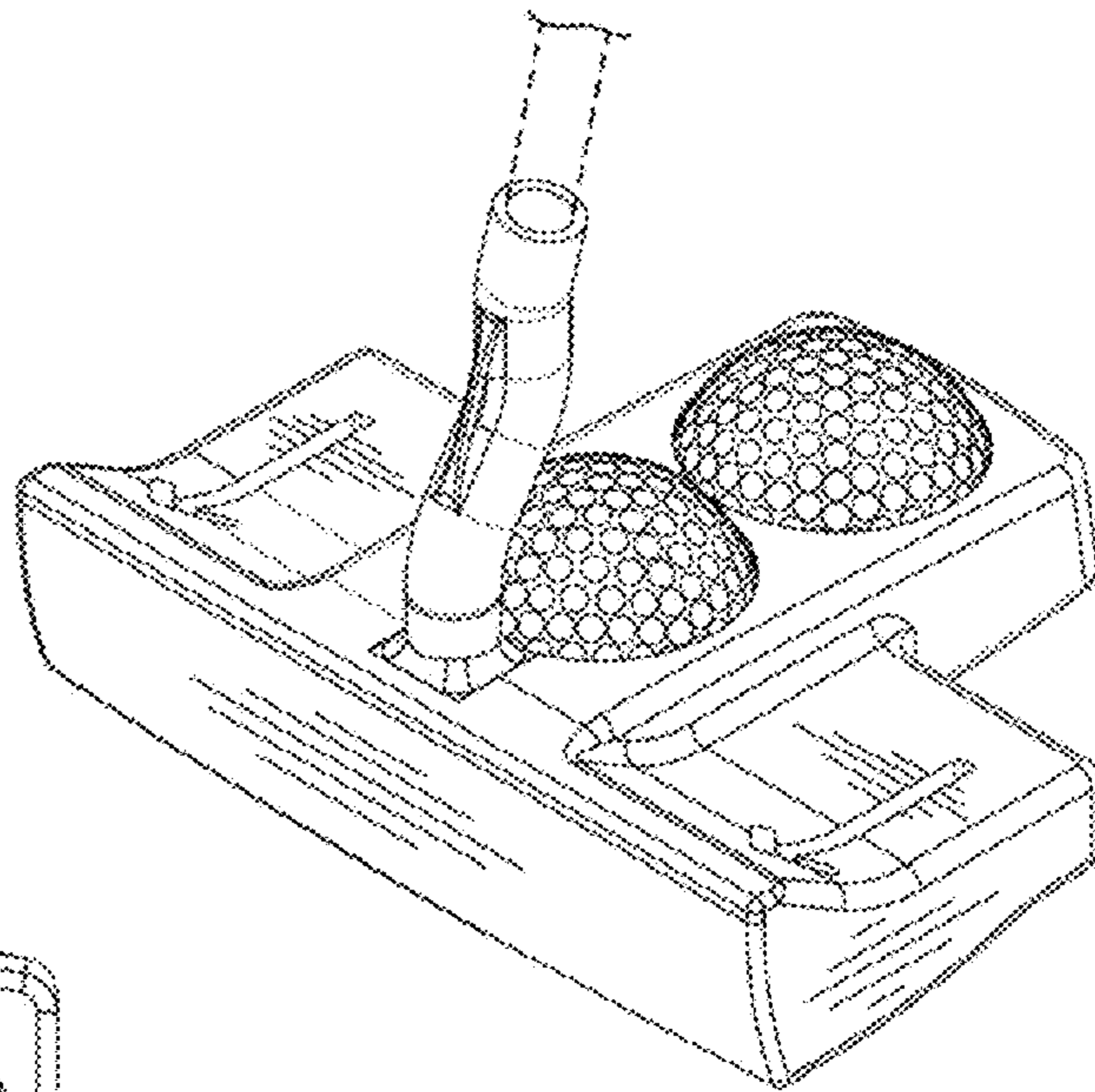


FIG. 1

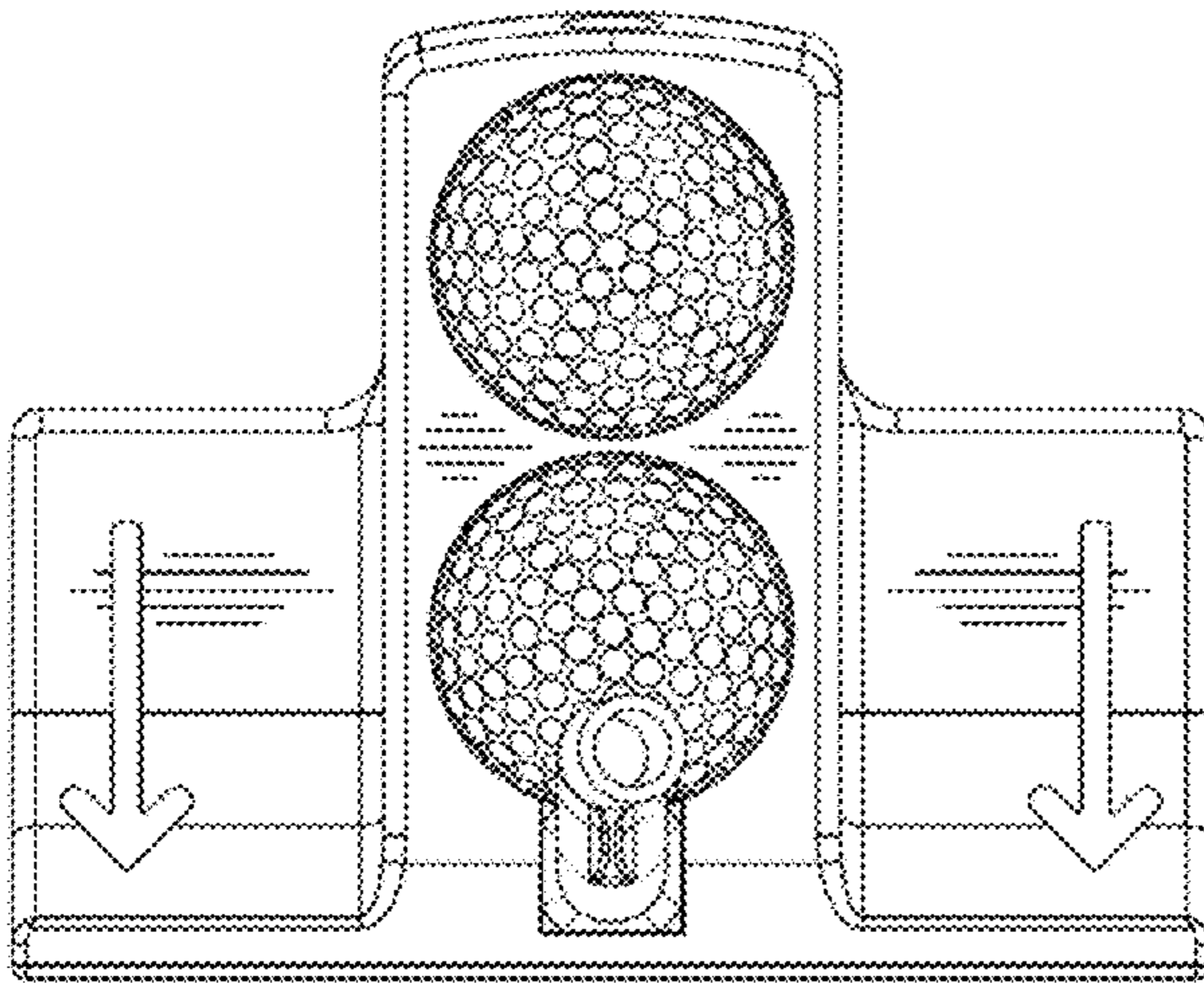


FIG. 2

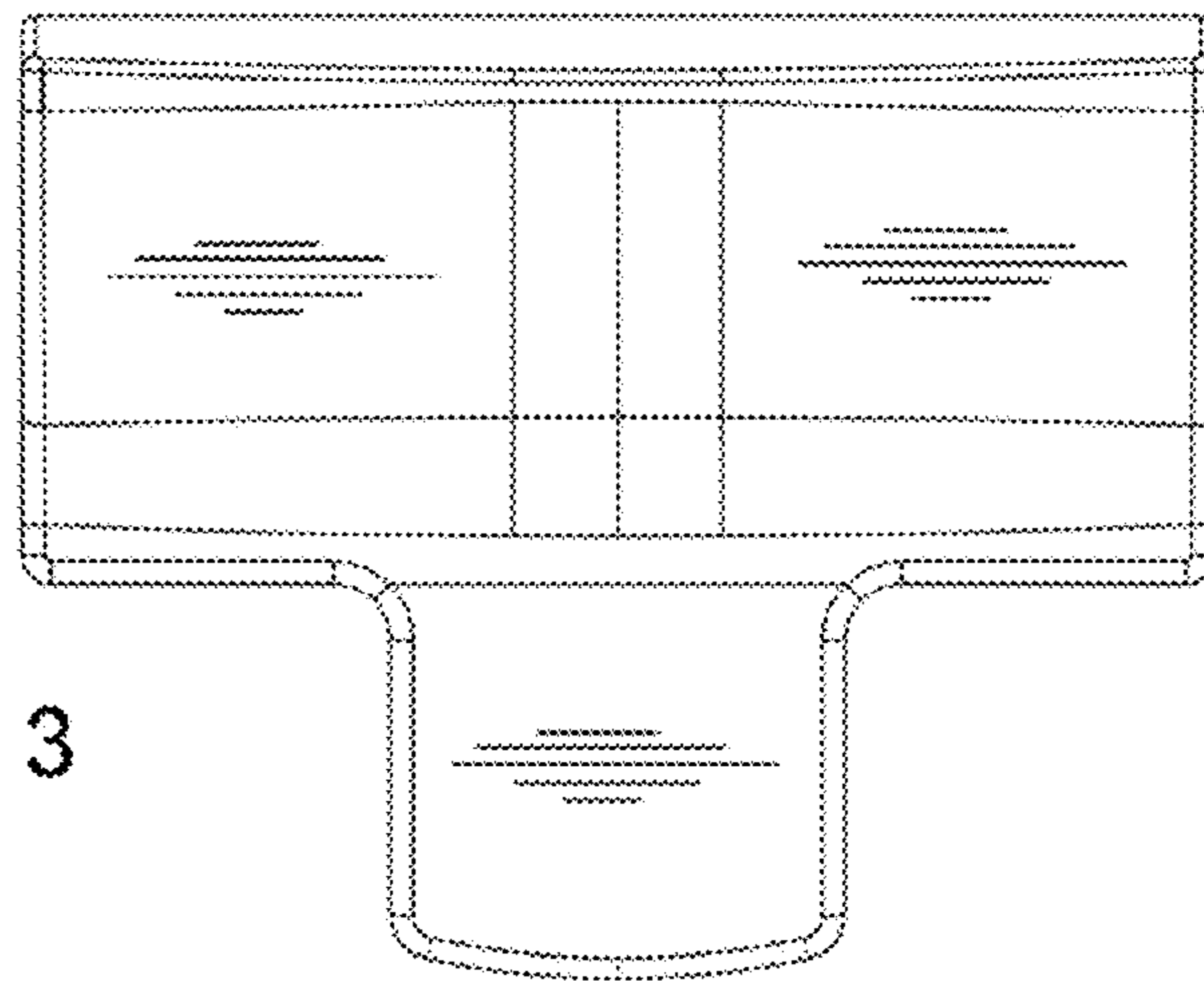


FIG. 3

FIG. 4

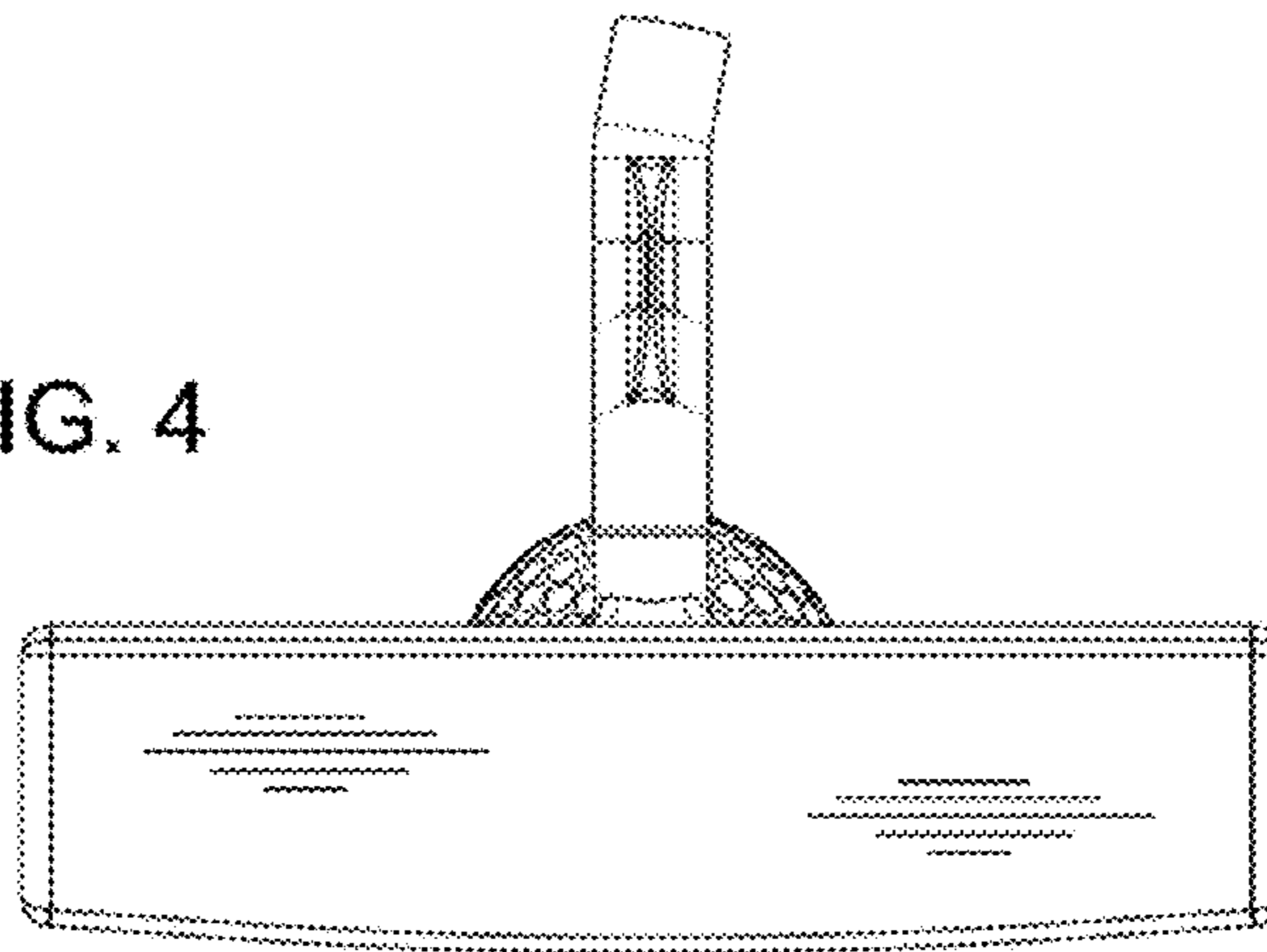


FIG. 5

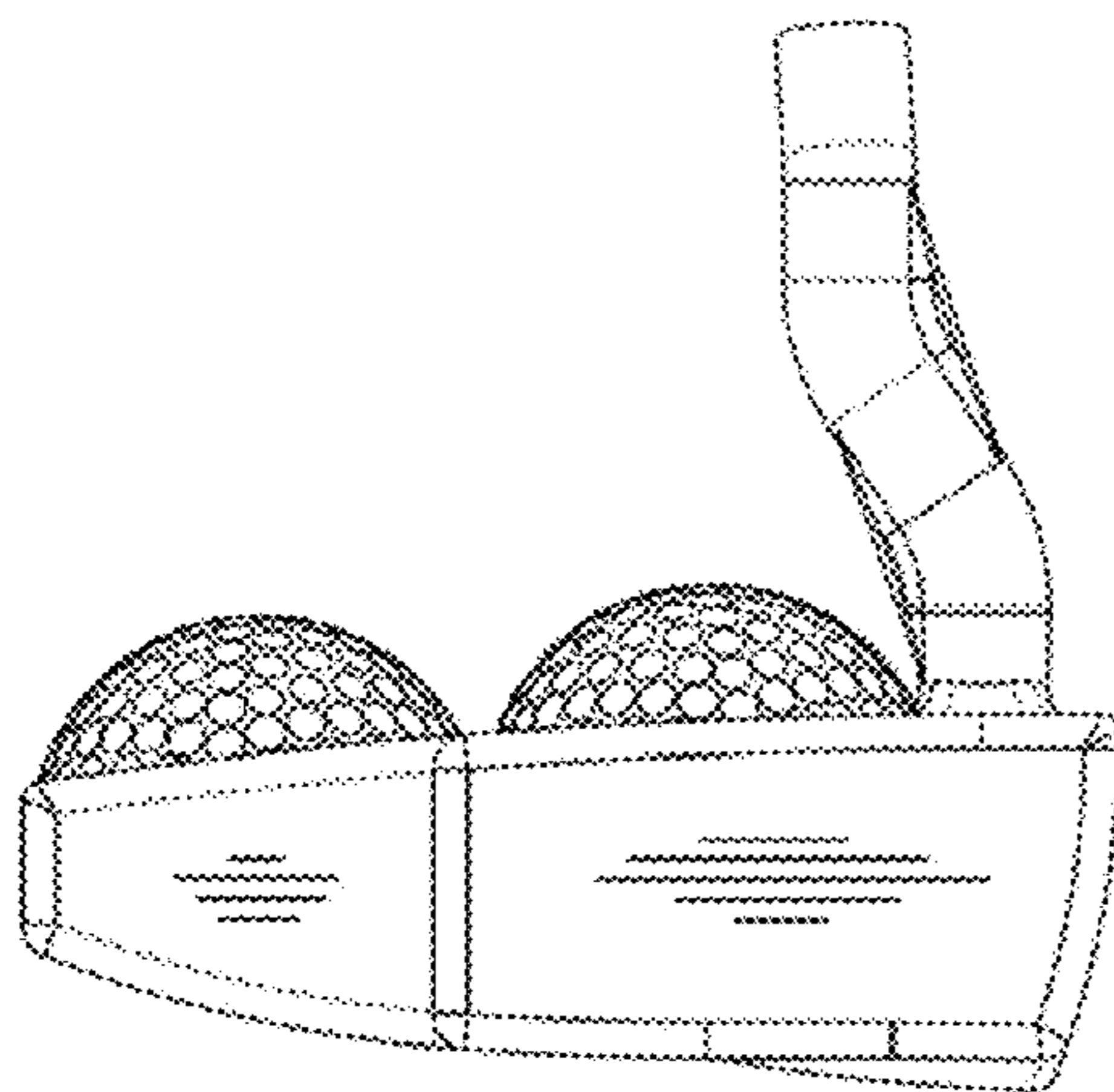
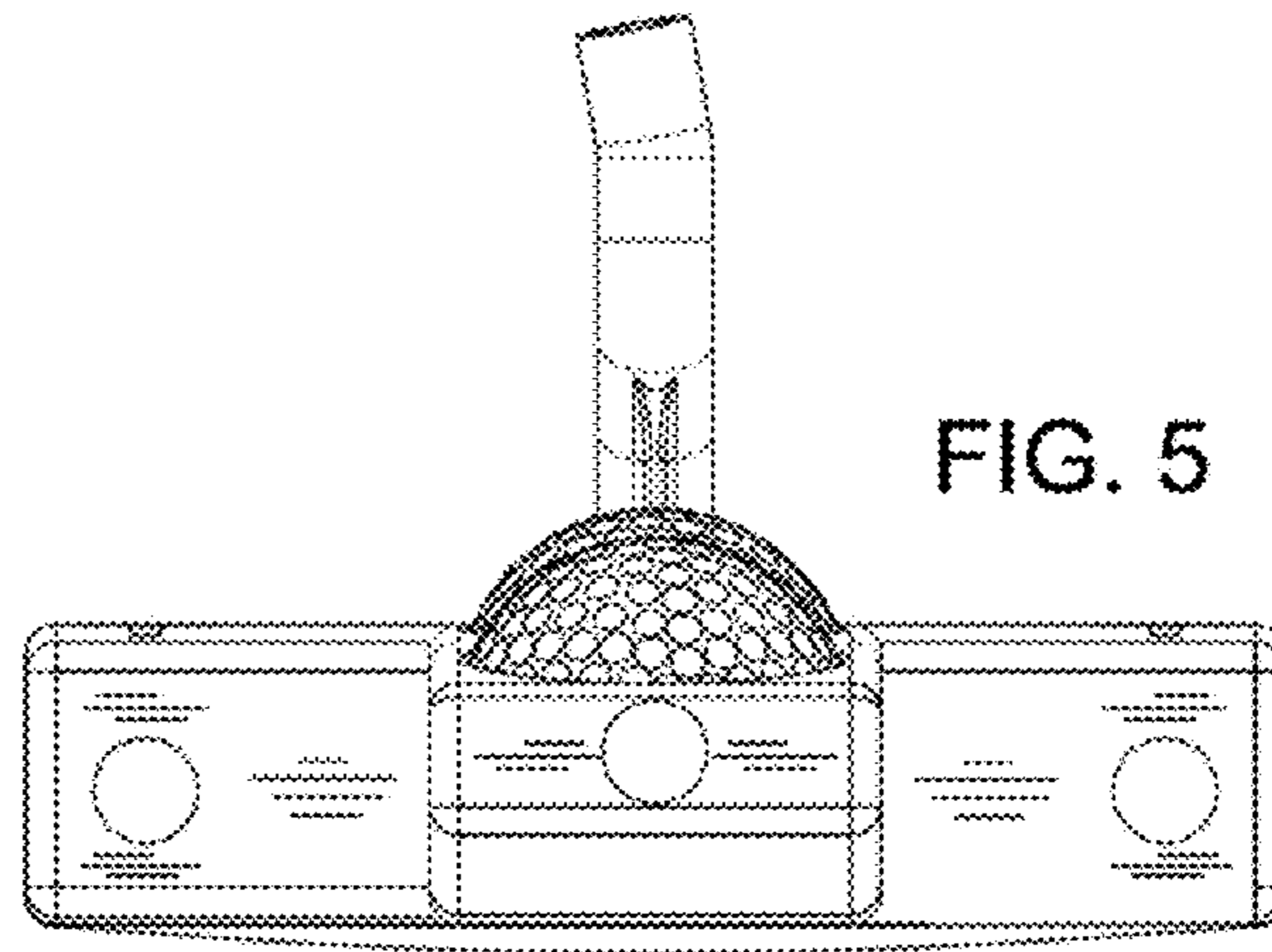


FIG. 6

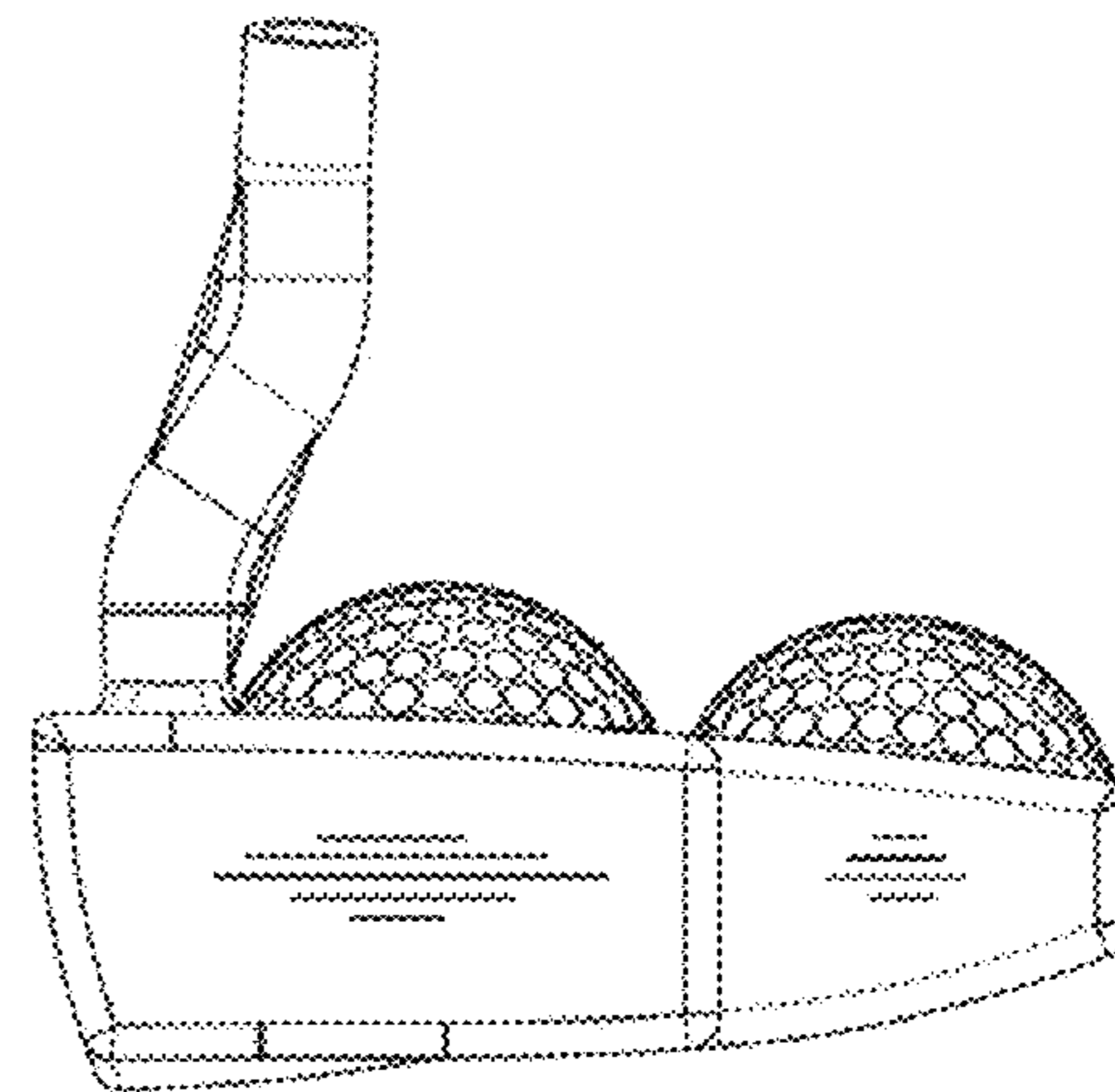


FIG. 7