



US00D689966S

(12) **United States Design Patent**
Severa et al.

(10) **Patent No.:** **US D689,966 S**

(45) **Date of Patent:** **** Sep. 17, 2013**

(54) **THROAT OF A RACQUET**

Primary Examiner — Mitchell Siegel

(74) *Attorney, Agent, or Firm* — Terence P. O'Brien

(75) Inventors: **William D. Severa**, Darien, IL (US);
Robert T. Kapheim, Chicago, IL (US);
Mark W. Lin, Hinsdale, IL (US); **David**
A. Vogel, Island Lake, IL (US); **Ravi**
Itiravivong, Evanston, IL (US)

(57) **CLAIM**

We claim the ornamental design for a throat of a racquet, as shown and described.

(73) Assignee: **Wilson Sporting Goods Co.**, Chicago, IL (US)

(**) Term: **14 Years**

DESCRIPTION

(21) Appl. No.: **29/429,421**

(22) Filed: **Aug. 10, 2012**

(51) **LOC (9) Cl.** **21-02**

(52) **U.S. Cl.**
USPC **D21/730**

(58) **Field of Classification Search**
USPC D21/729-731; 473/524-557
See application file for complete search history.

FIG. 1 is a front, side perspective view of a throat of a racquet; FIG. 2 is an enlarged front, side perspective view of the throat of the racquet of FIG. 1; FIG. 3 is a front view of the throat of the racquet of FIG. 1; FIG. 4 is a side view of the throat of the racquet of FIG. 1; FIG. 5 is a side view from a longitudinal axis of the throat taken along line 5-5 of FIG. 3. FIG. 6 is a top view of the throat of the racquet taken along line 6°-°6° of FIG. 3; and, FIG. 7 is a bottom view of the throat of the racquet taken along line 7°-°7° of FIG. 3.

The ornamental design that is claimed is shown in solid lines in the drawings. The broken (dashed) lines shown in FIGS. 1 through 5 and 7 are included for the purpose of illustrating environmental elements only and form no part of the claimed design.

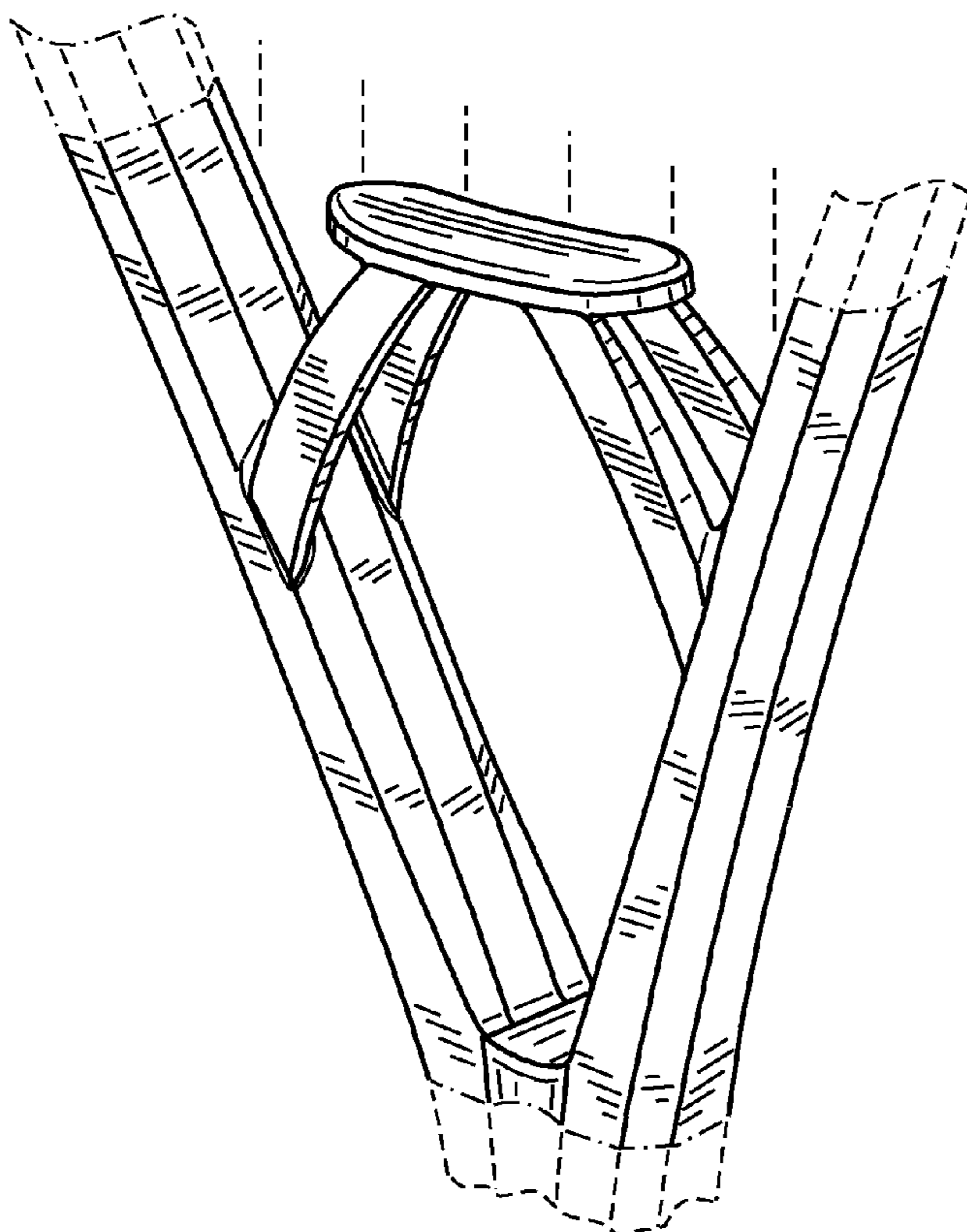
(56) **References Cited**

U.S. PATENT DOCUMENTS

4,322,076	A *	3/1982	Bertram et al.	473/537
D289,786	S *	5/1987	Fernandez	D21/730
4,964,635	A *	10/1990	Fitzgerald	473/521
D366,681	S *	1/1996	Hodges	D21/730

* cited by examiner

1 Claim, 5 Drawing Sheets



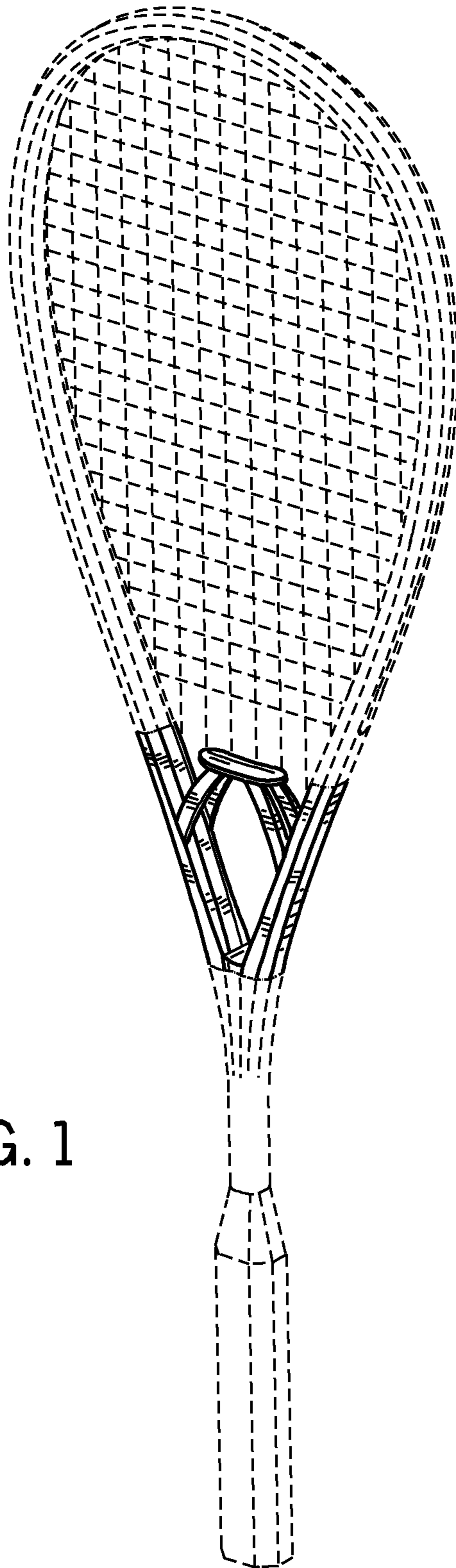


FIG. 1

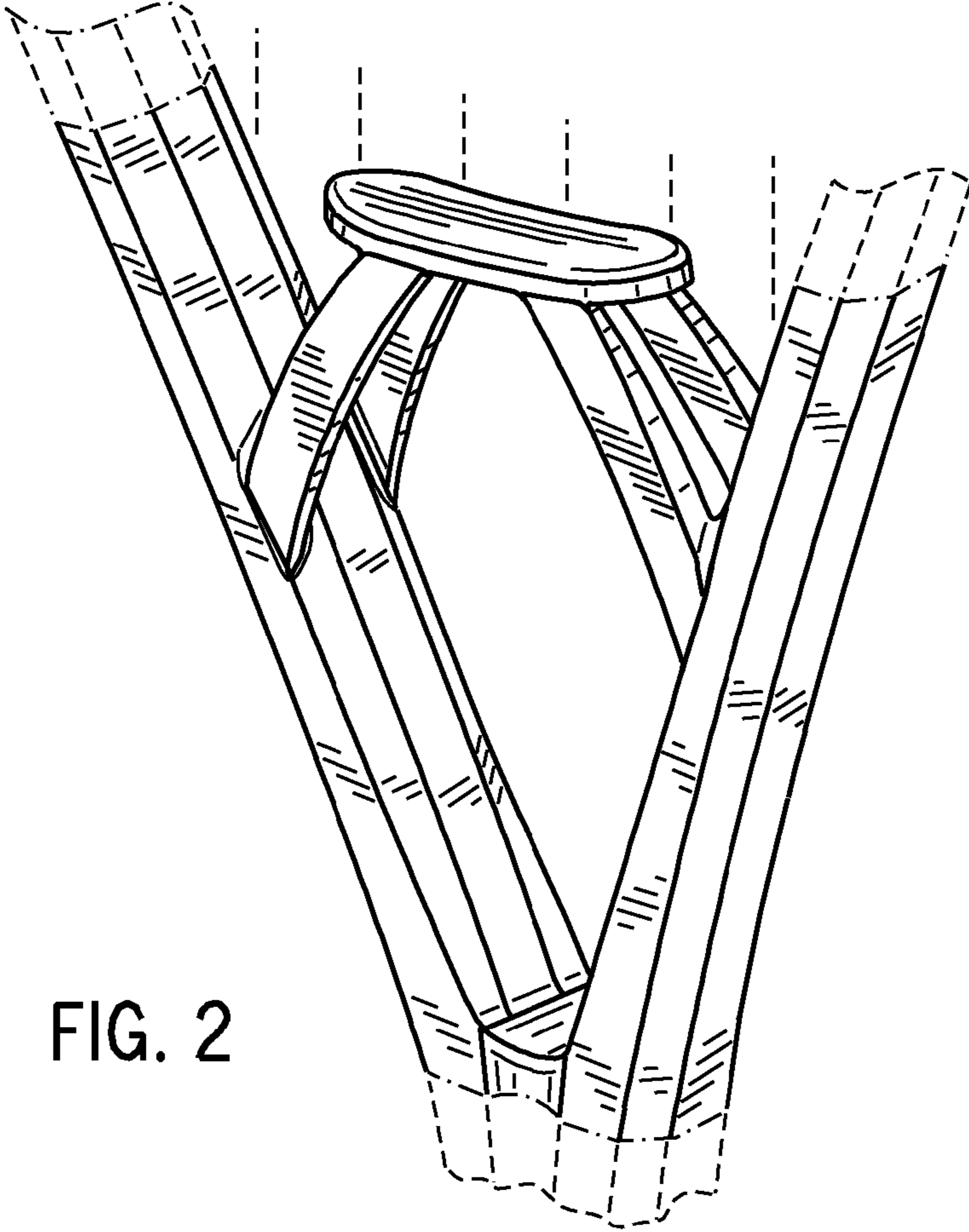


FIG. 2

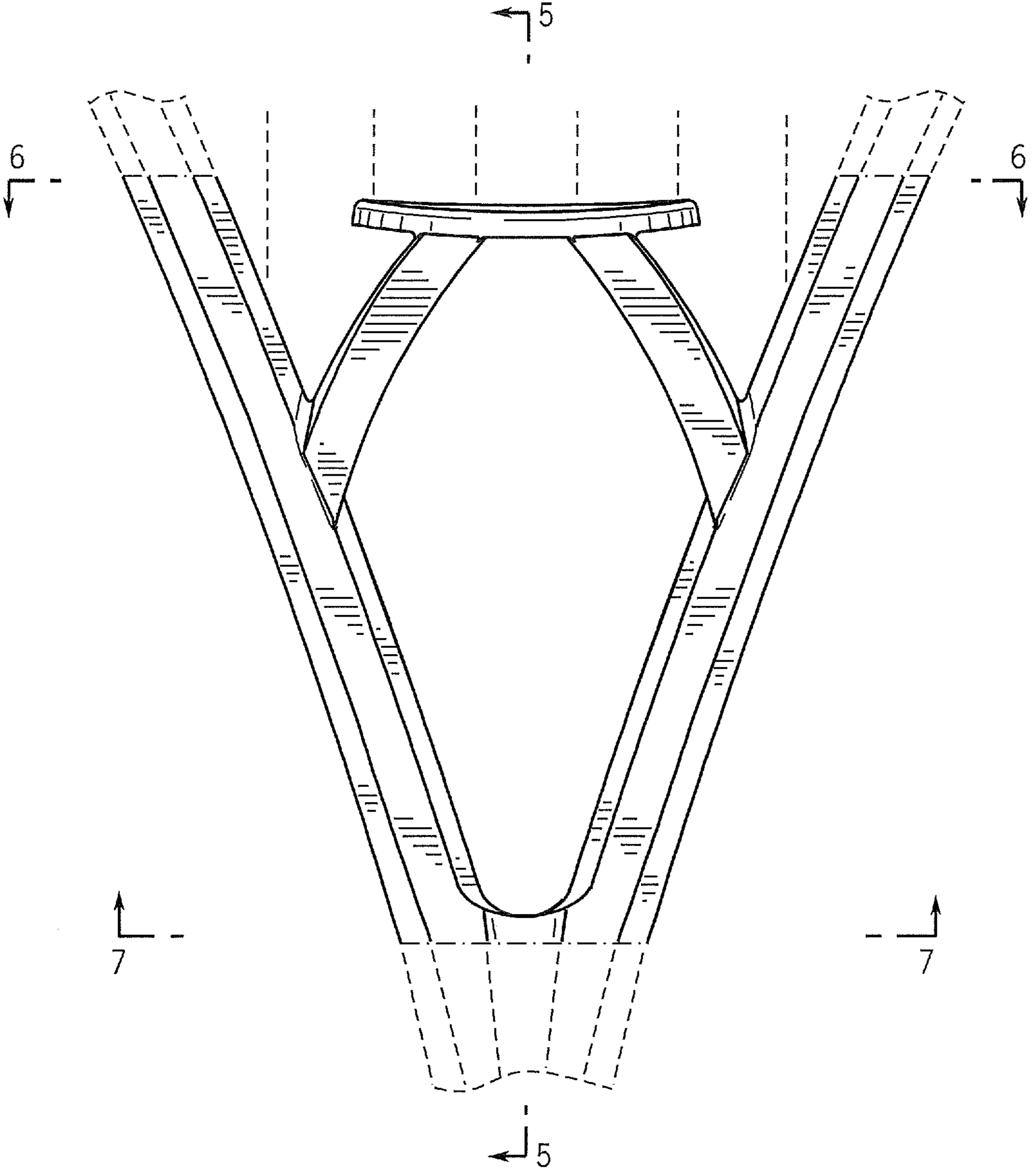


FIG. 3

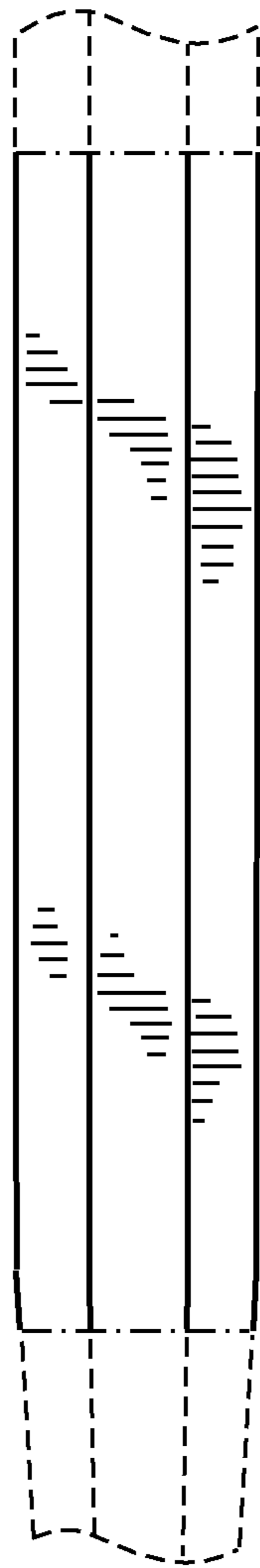


FIG. 4

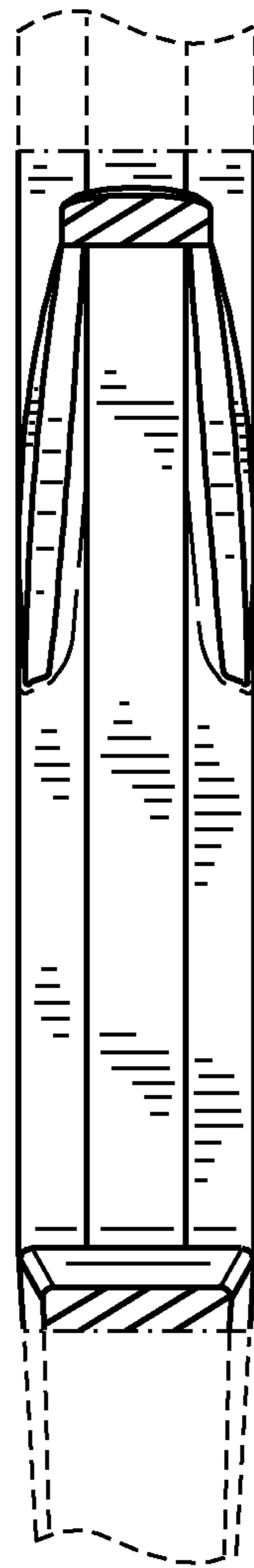


FIG. 5

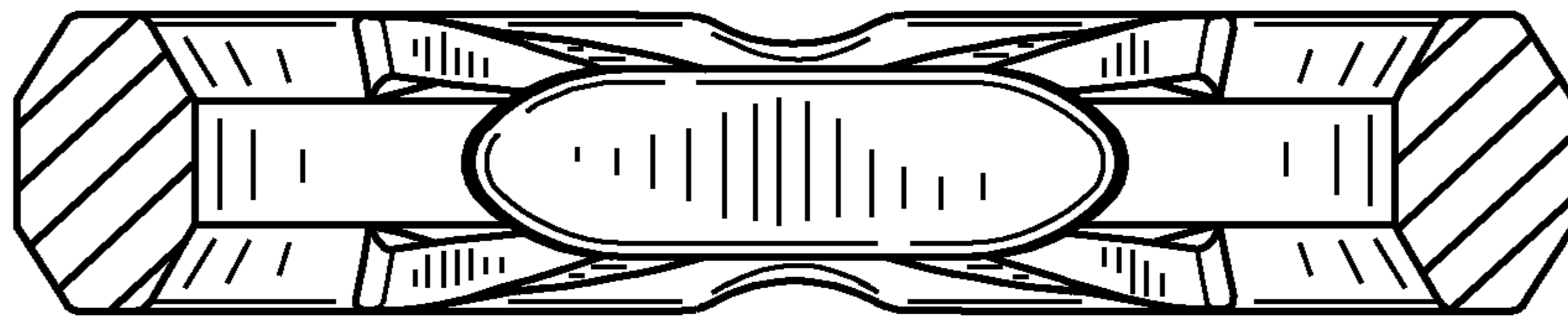


FIG. 6

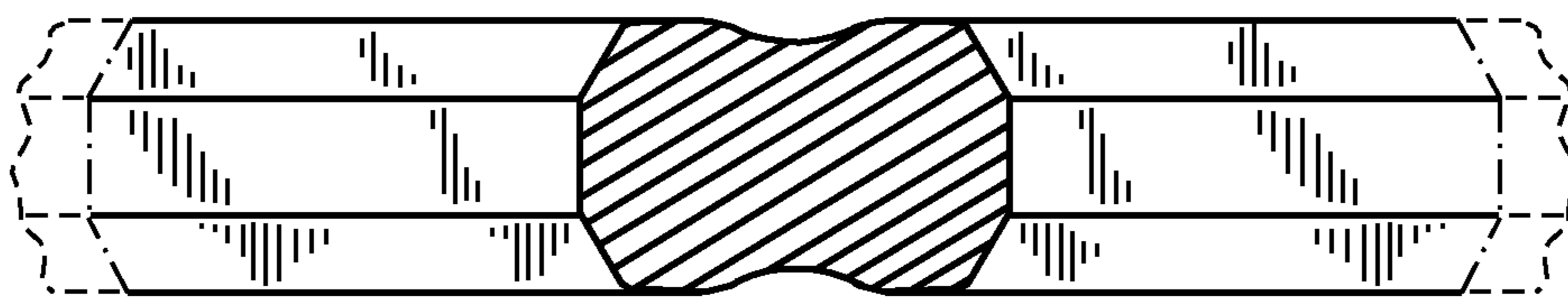


FIG. 7