



US00D689964S

(12) **United States Design Patent**
Mimlitch, III et al.

(10) **Patent No.:** **US D689,964 S**
(45) **Date of Patent:** **** Sep. 17, 2013**

(54) **CHASSIS FOR A TOY FIGURE**

DESCRIPTION

(75) Inventors: **Robert H. Mimlitch, III**, Rowlett, TX (US); **David A. Norman**, Greenville, TX (US); **Douglas Michael Galletti**, Allen, TX (US); **Jeffrey Russell Waegelin**, Rockwall, TX (US); **Gregory Needel**, Rockwall, TX (US); **Raul Olivera**, Greenville, TX (US)

(73) Assignee: **Innovation First, Inc.**, Greenville, TX (US)

(**) Term: **14 Years**

(21) Appl. No.: **29/426,818**

(22) Filed: **Jul. 11, 2012**

(51) **LOC (9) Cl.** **21-01**

(52) **U.S. Cl.**
USPC **D21/658**; D21/650

(58) **Field of Classification Search**
USPC D21/533, 576-585, 650; 446/72, 446/97, 268-269, 321, 356, 376-377, 487
See application file for complete search history.

(56) **References Cited**

U.S. PATENT DOCUMENTS

D456,467 S * 4/2002 Corbett D21/650
6,652,352 B1 * 11/2003 MacArthur et al. 446/356

(Continued)

Primary Examiner — Sandra Morris

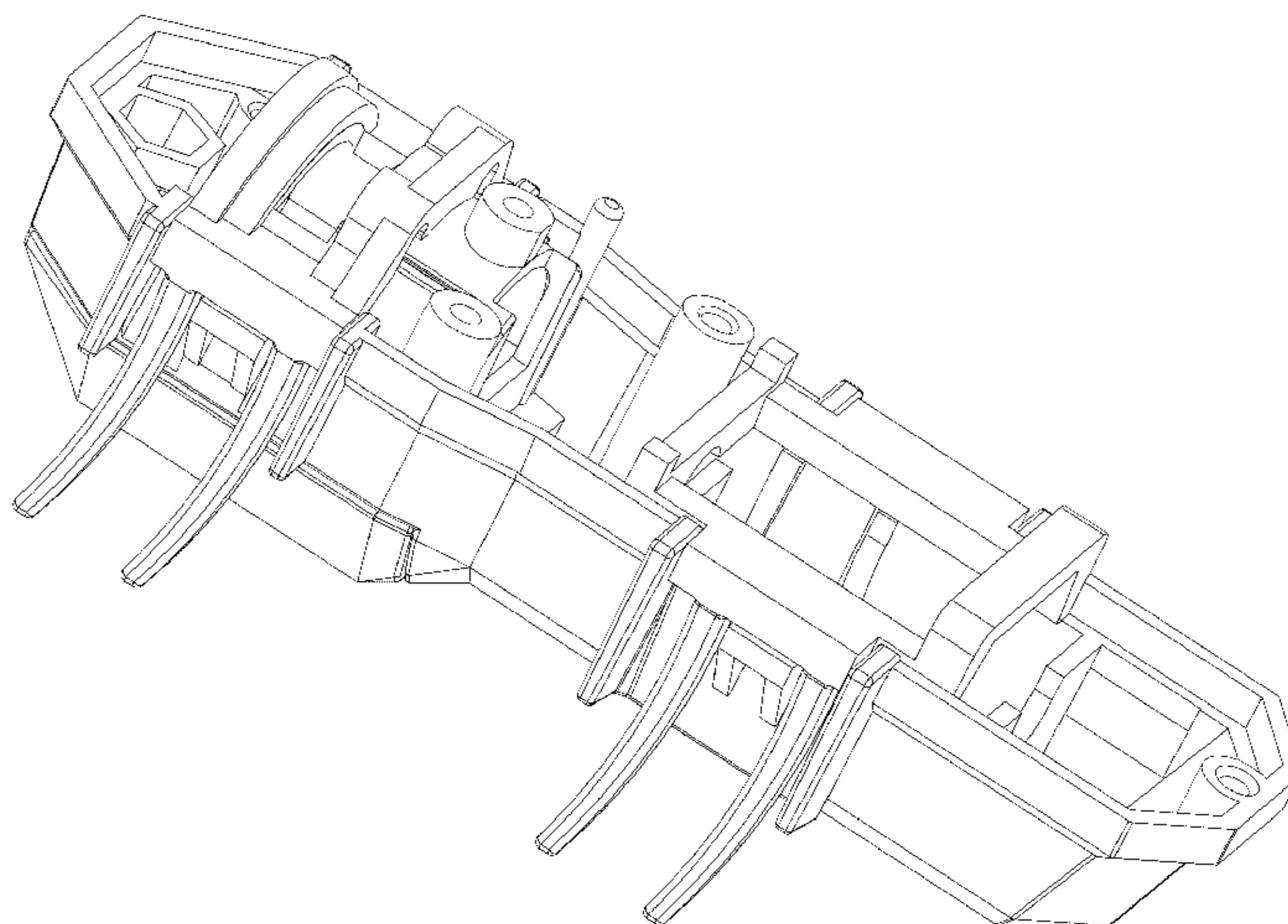
(74) *Attorney, Agent, or Firm* — Adam K. Sacharoff

(57) **CLAIM**

The ornamental design for a chassis for a toy figure, as shown and described.

FIG. 1 is a top left perspective view showing a first embodiment of the chassis for a toy figure;
FIG. 2 is a top right perspective view of FIG. 1;
FIG. 3 is a bottom left side perspective view of FIG. 1;
FIG. 4 is a bottom right side perspective view of FIG. 1;
FIG. 5 is a top side view of FIG. 1;
FIG. 6 is a bottom side view of FIG. 1;
FIG. 7 is a left side view of FIG. 1;
FIG. 8 is a right side view of FIG. 1;
FIG. 9 is a front side view of FIG. 1;
FIG. 10 is a back side view of FIG. 1;
FIG. 11 is a top left perspective view showing a second embodiment of the chassis for a toy figure illustrating the leg portions;
FIG. 12 is a top right perspective view of FIG. 11;
FIG. 13 is a bottom left side perspective view of FIG. 11;
FIG. 14 is a bottom right side perspective view of FIG. 11;
FIG. 15 is a top side view of FIG. 11;
FIG. 16 is a bottom side view of FIG. 11;
FIG. 17 is a left side view of FIG. 11;
FIG. 18 is a right side view of FIG. 11;
FIG. 19 is a front side view of FIG. 11;
FIG. 20 is a back side view of FIG. 11;
FIG. 21 is a front top perspective view showing a third embodiment of the chassis for a toy figure illustrating the components thereof;
FIG. 22 is a top left perspective view of FIG. 21;
FIG. 23 is a bottom front side perspective view of FIG. 21;
FIG. 24 is a bottom back side perspective view of FIG. 21;
FIG. 25 is a bottom side view of FIG. 21;
FIG. 26 is a top side view of FIG. 21;
FIG. 27 is a left side view of FIG. 21;
FIG. 28 is a right side view of FIG. 21;
FIG. 29 is a front side view of FIG. 21; and,
FIG. 30 is a back side view of FIG. 21.
The broken lines represent are for environmental purposes only and form no part of the claimed embodiments and design.

1 Claim, 30 Drawing Sheets



US D689,964 S

Page 2

(56)

References Cited

U.S. PATENT DOCUMENTS

6,866,557 B2 * 3/2005 Randall 446/356

D555,213 S * 11/2007 Bowen et al. D21/578
D583,882 S * 12/2008 Domingues D21/585
D641,432 S * 7/2011 Shapiro et al. D21/562

* cited by examiner

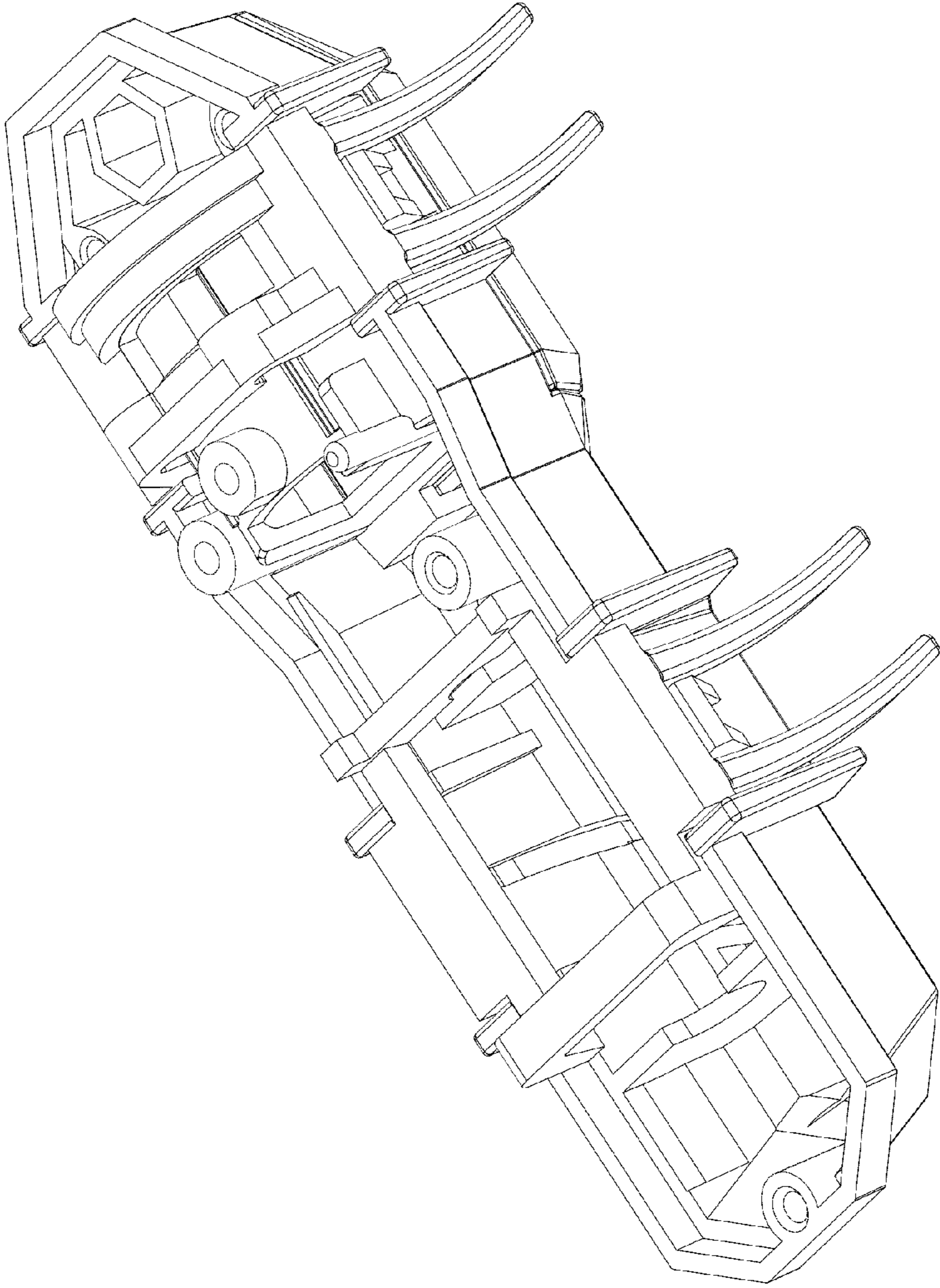


FIGURE 1

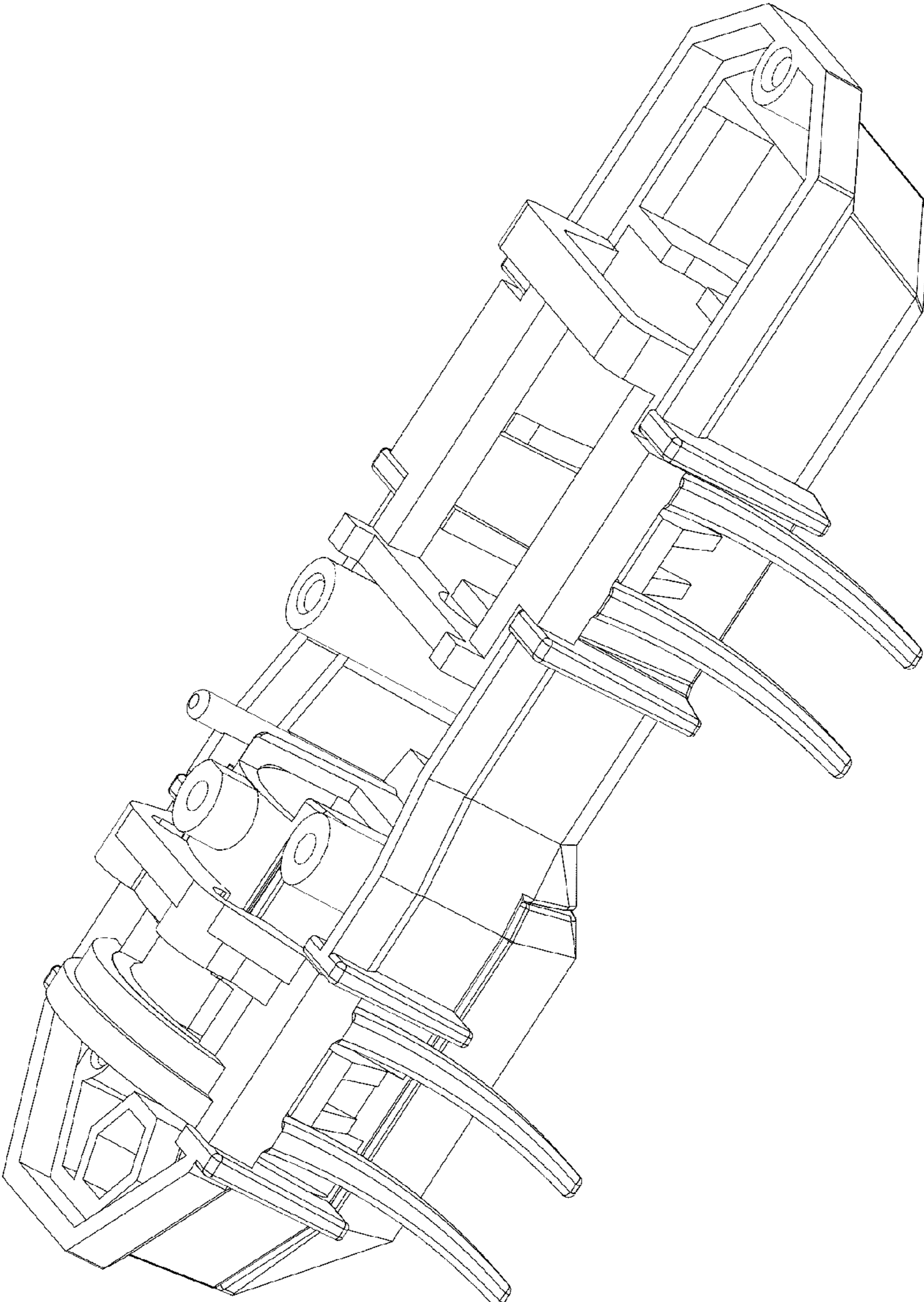


FIGURE 2

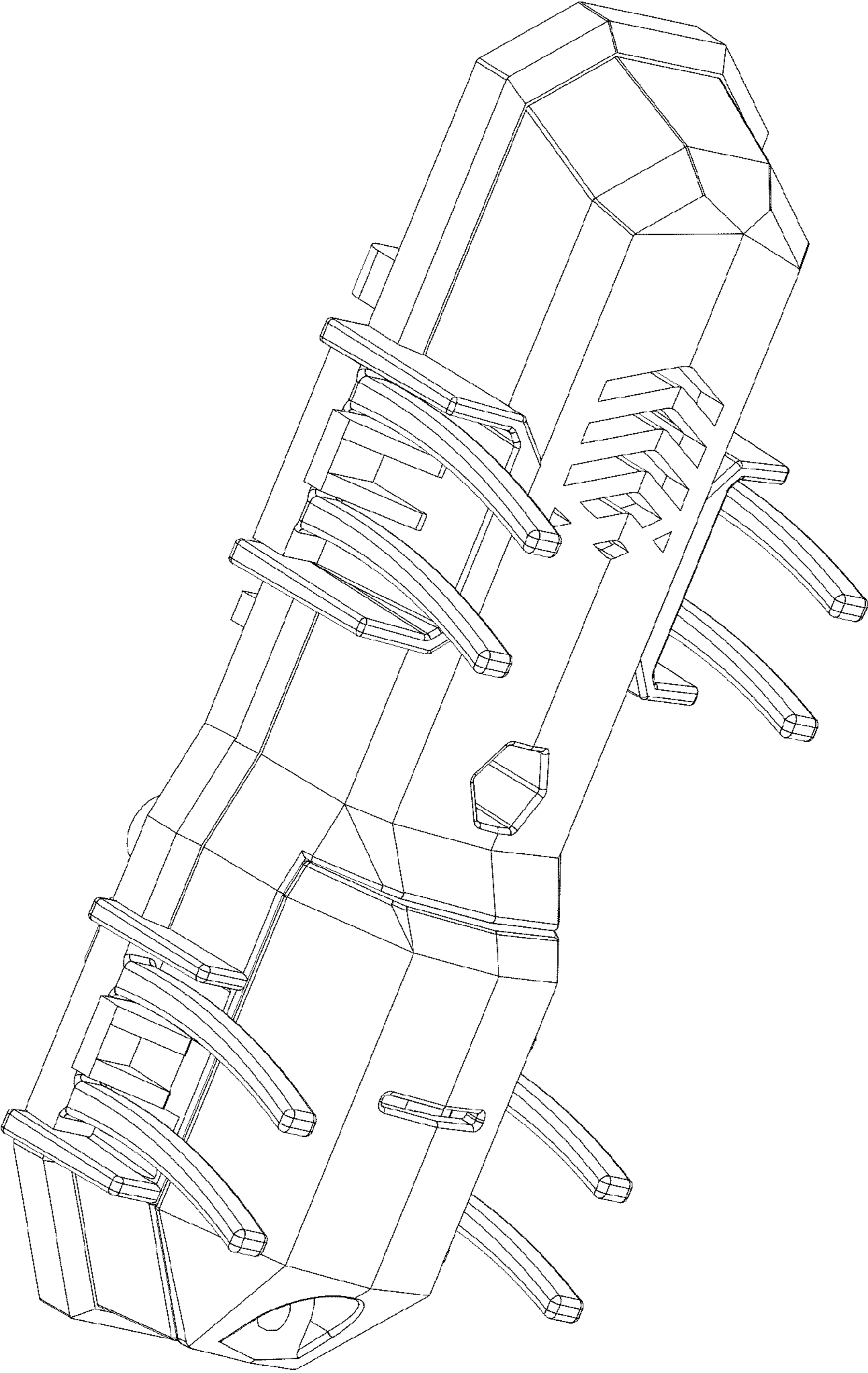


FIGURE 3

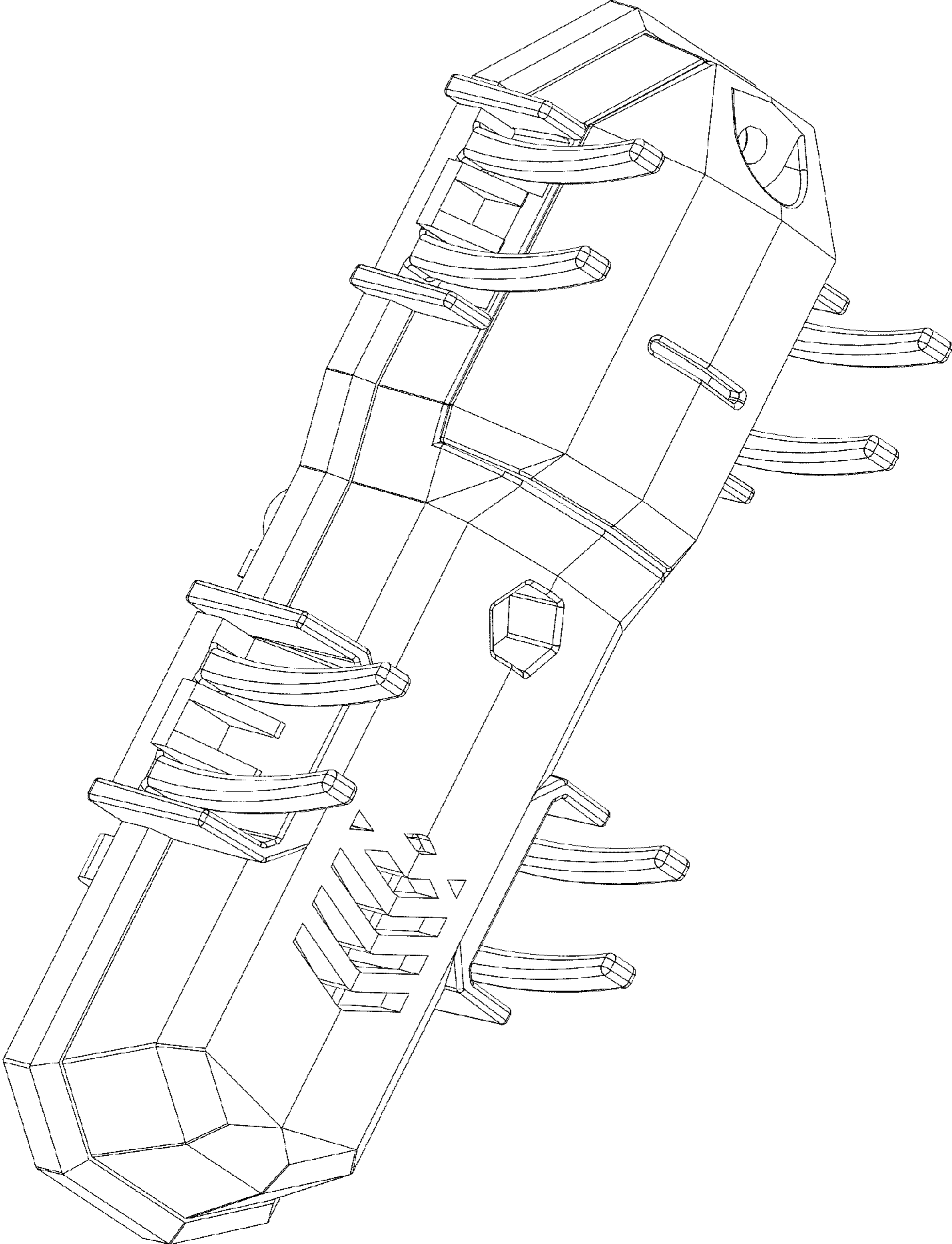


FIGURE 4

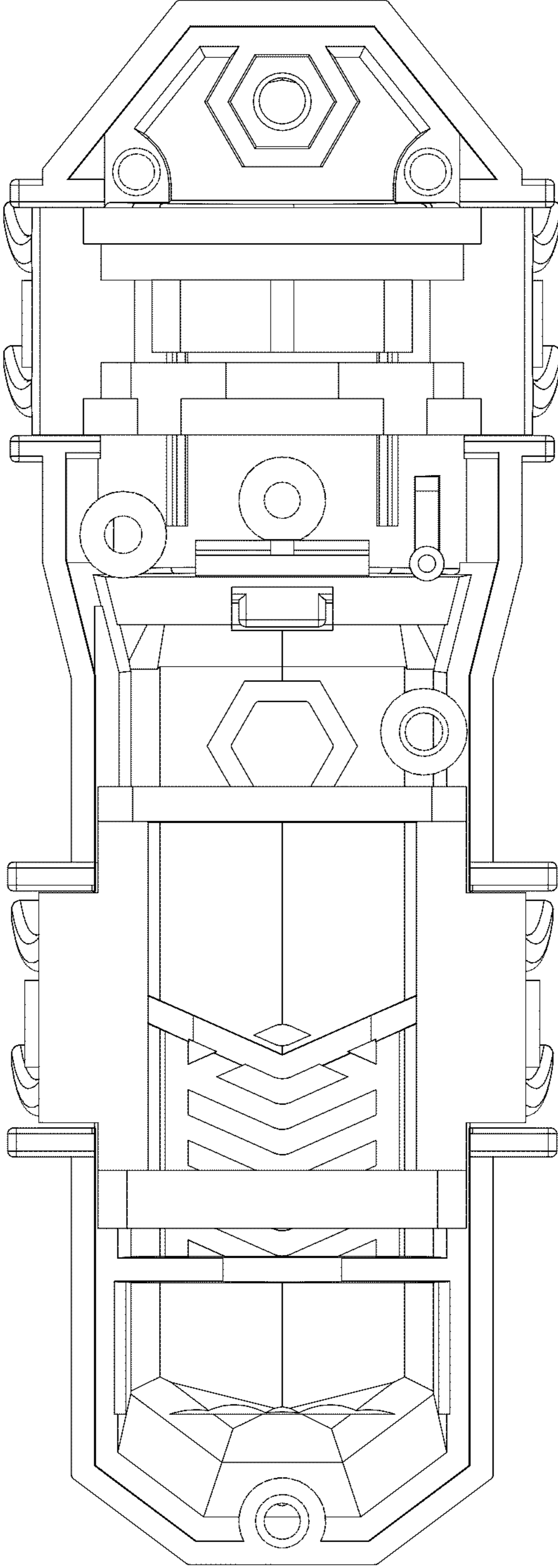


FIGURE 5

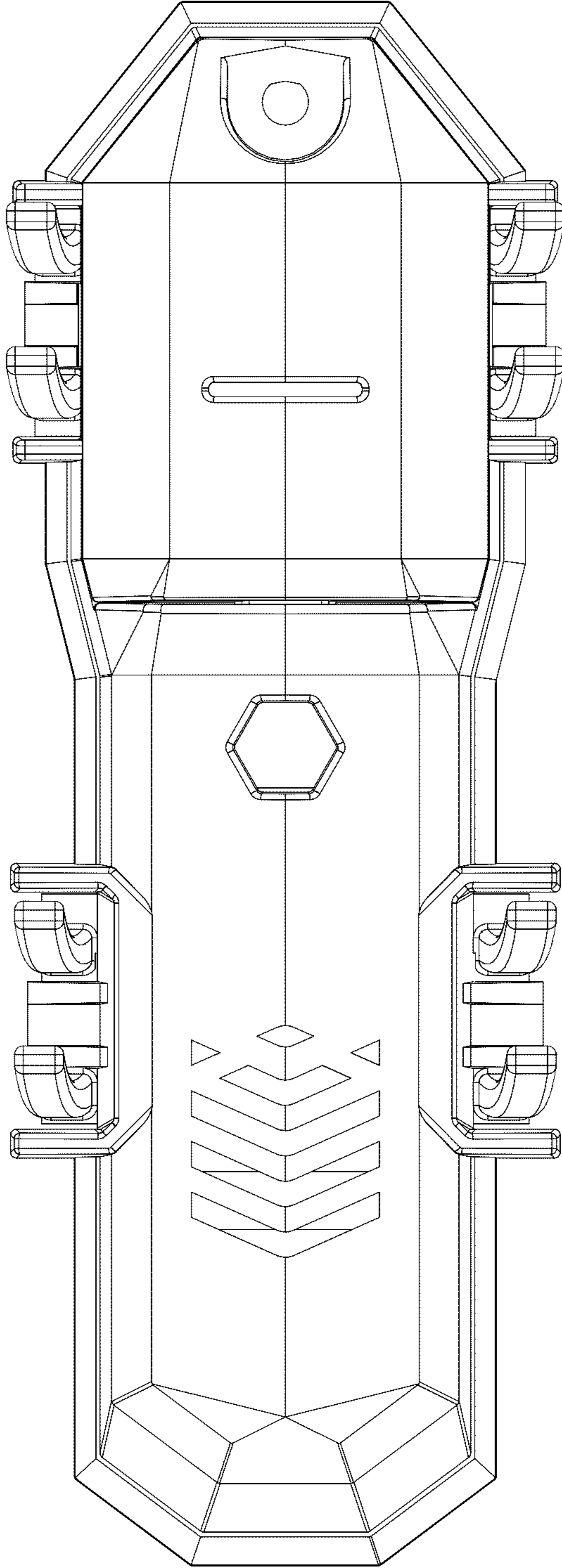


FIGURE 6

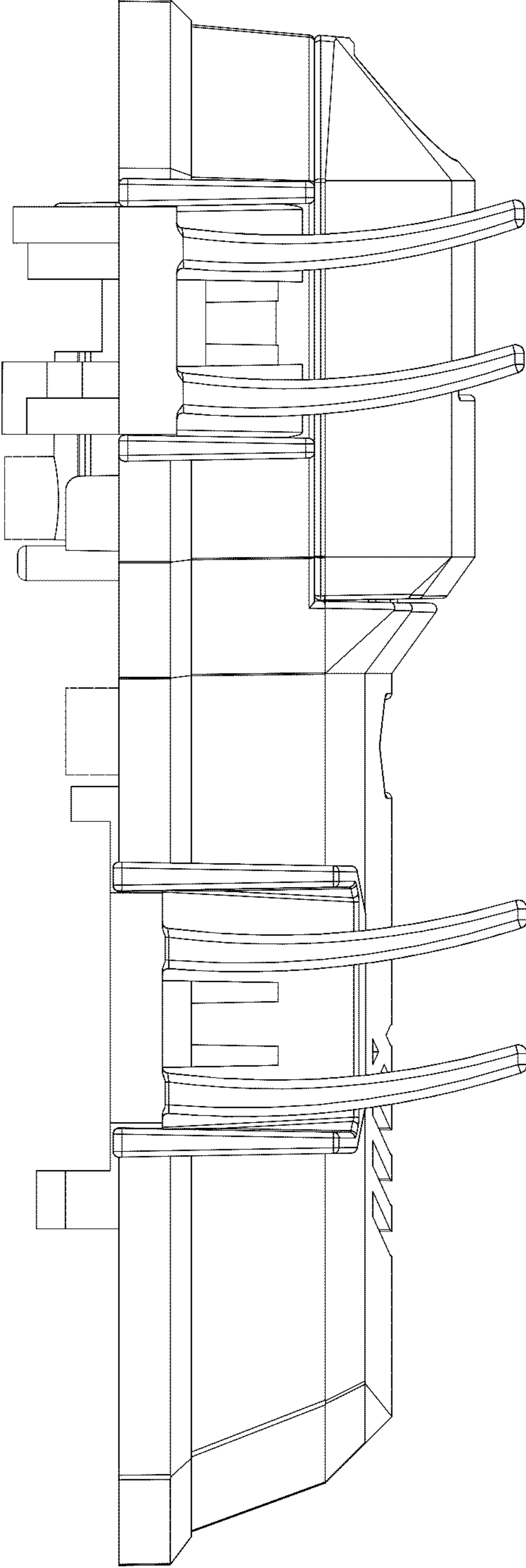


FIGURE 7

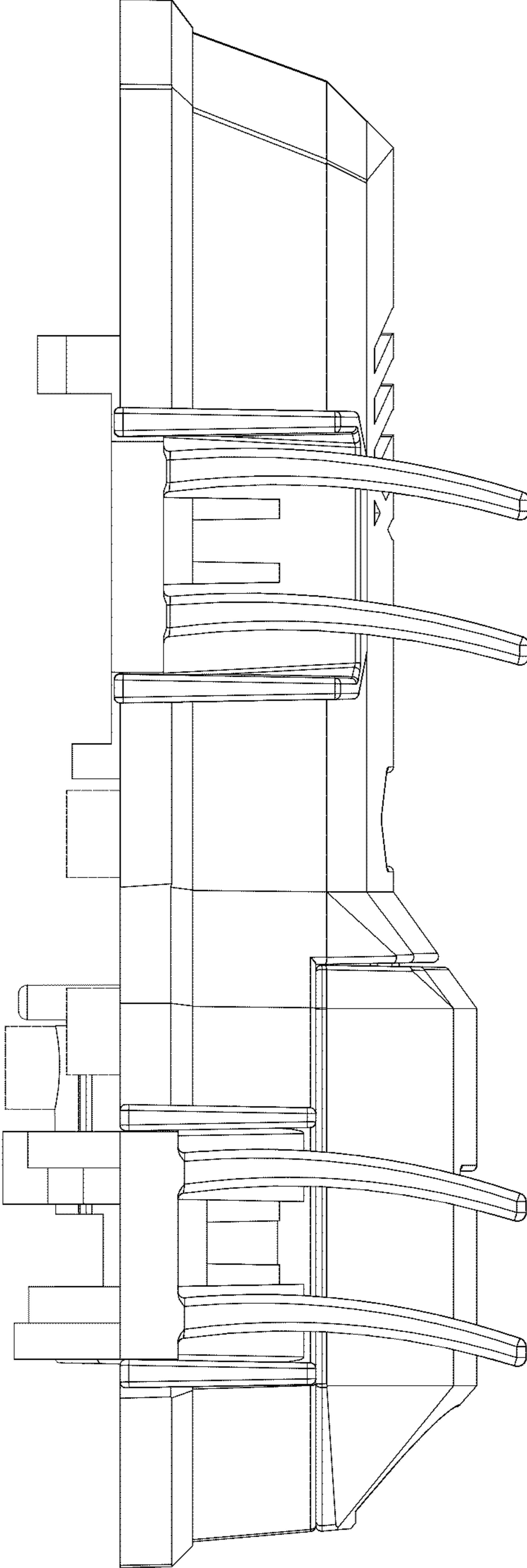


FIGURE 8

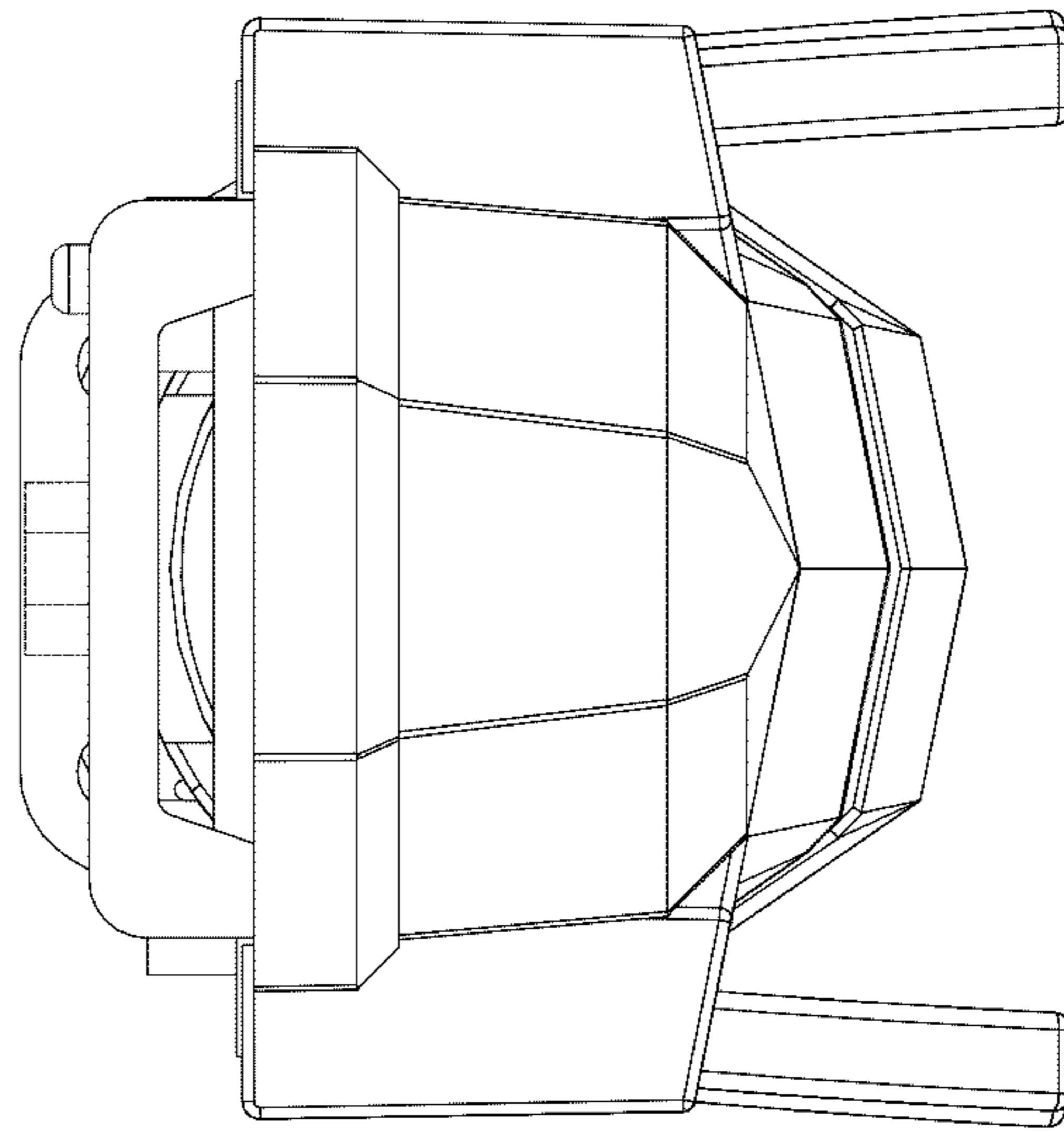


FIGURE 9

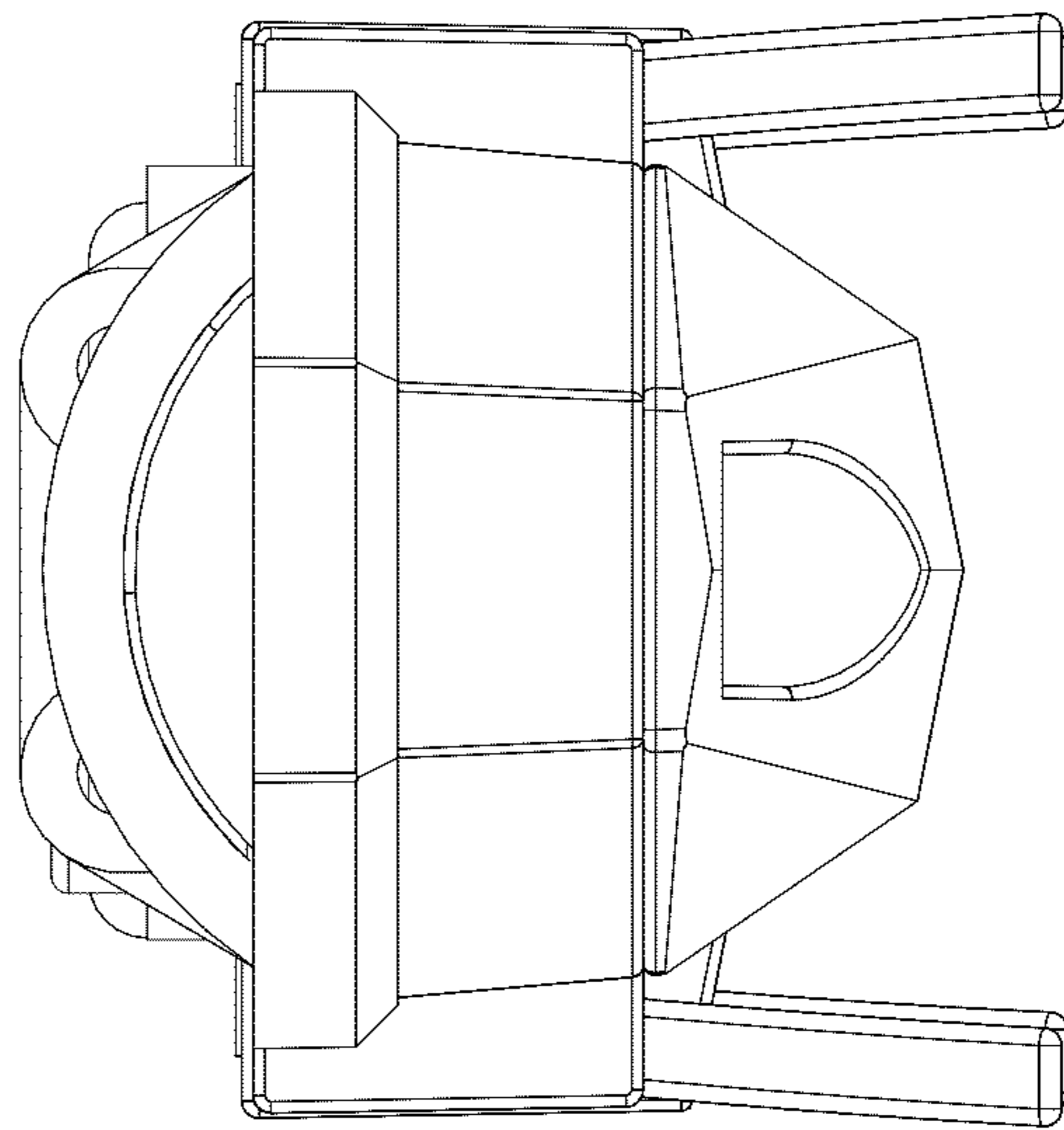


FIGURE 10

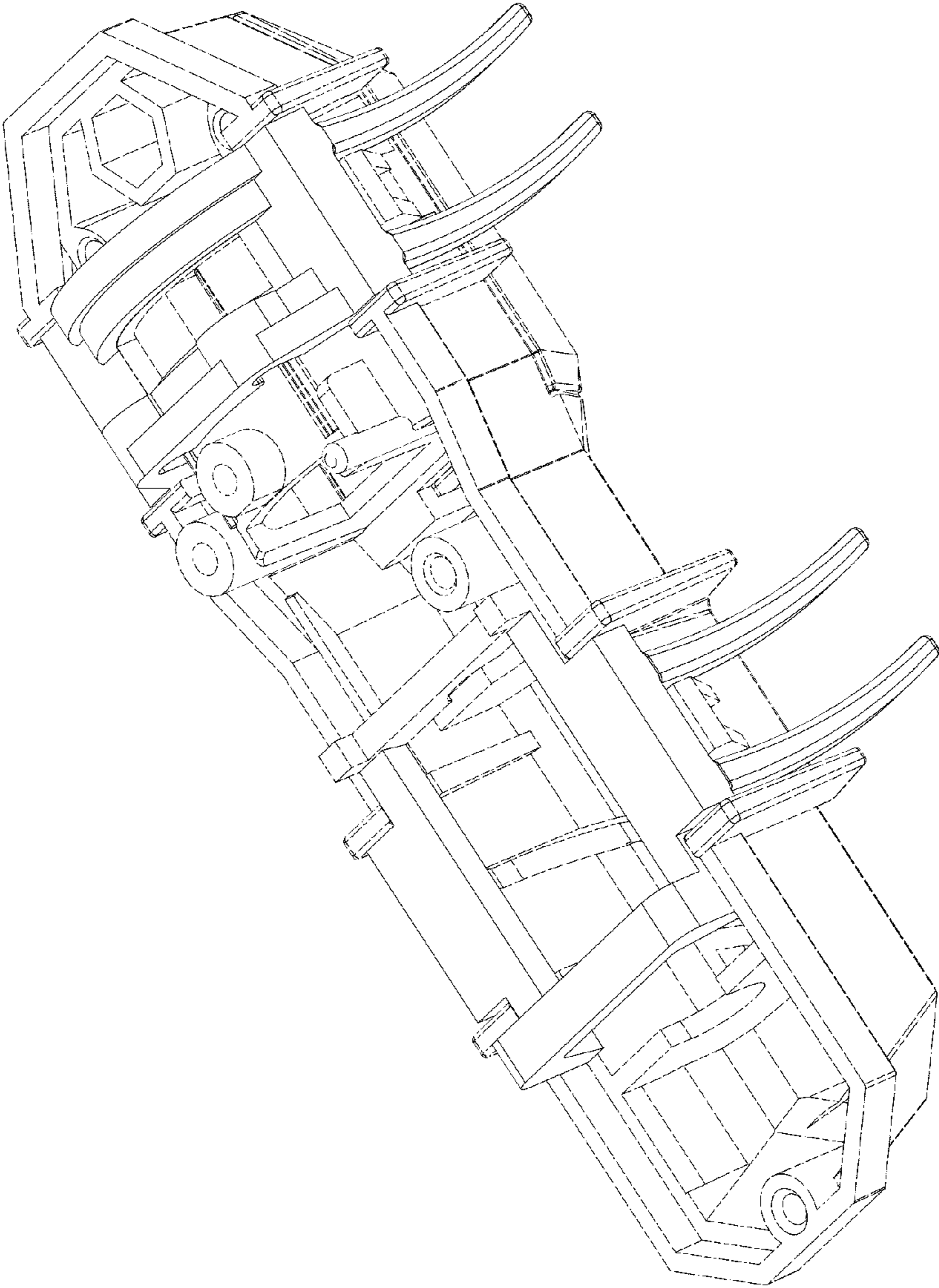


FIGURE 11

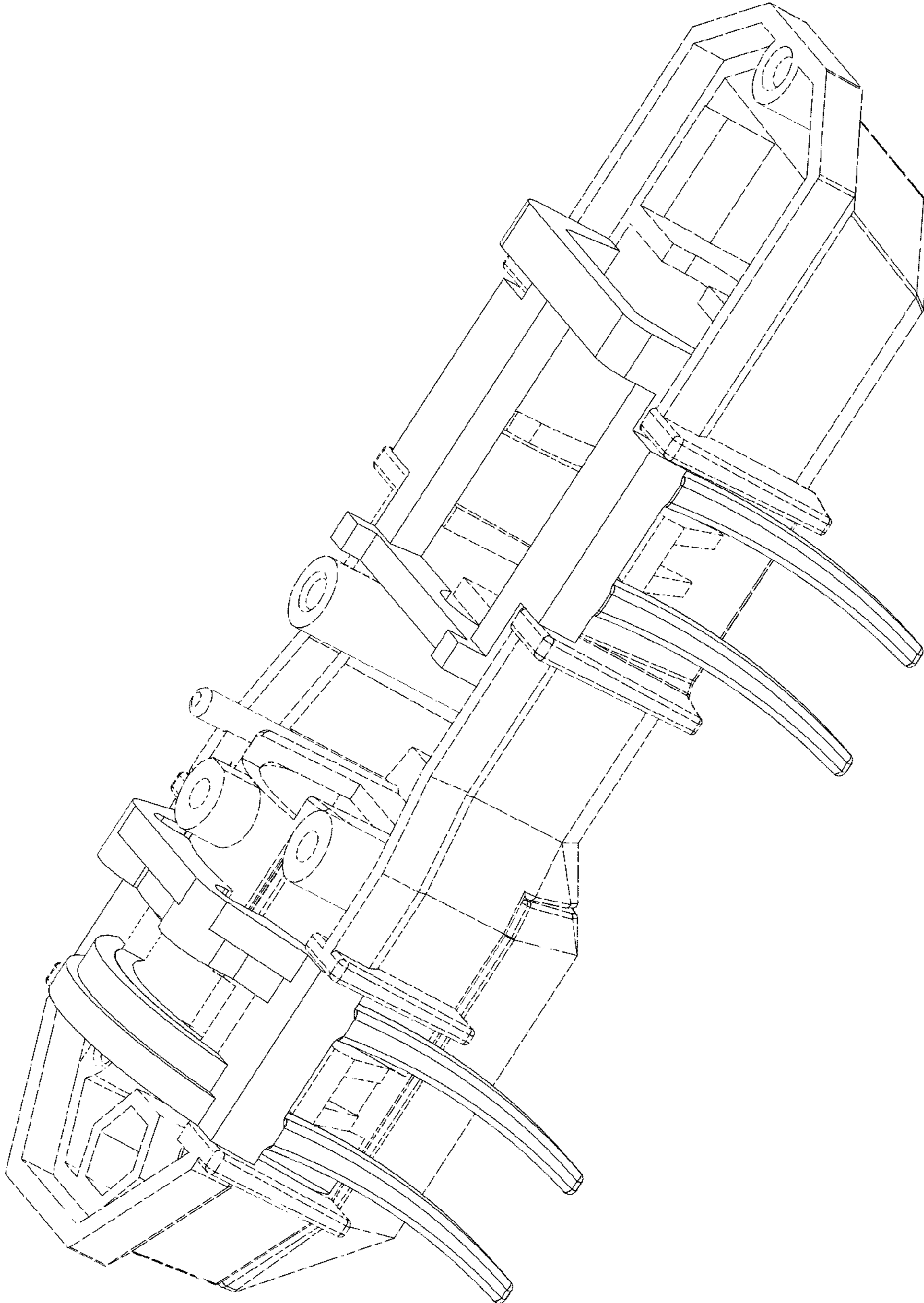


FIGURE 12

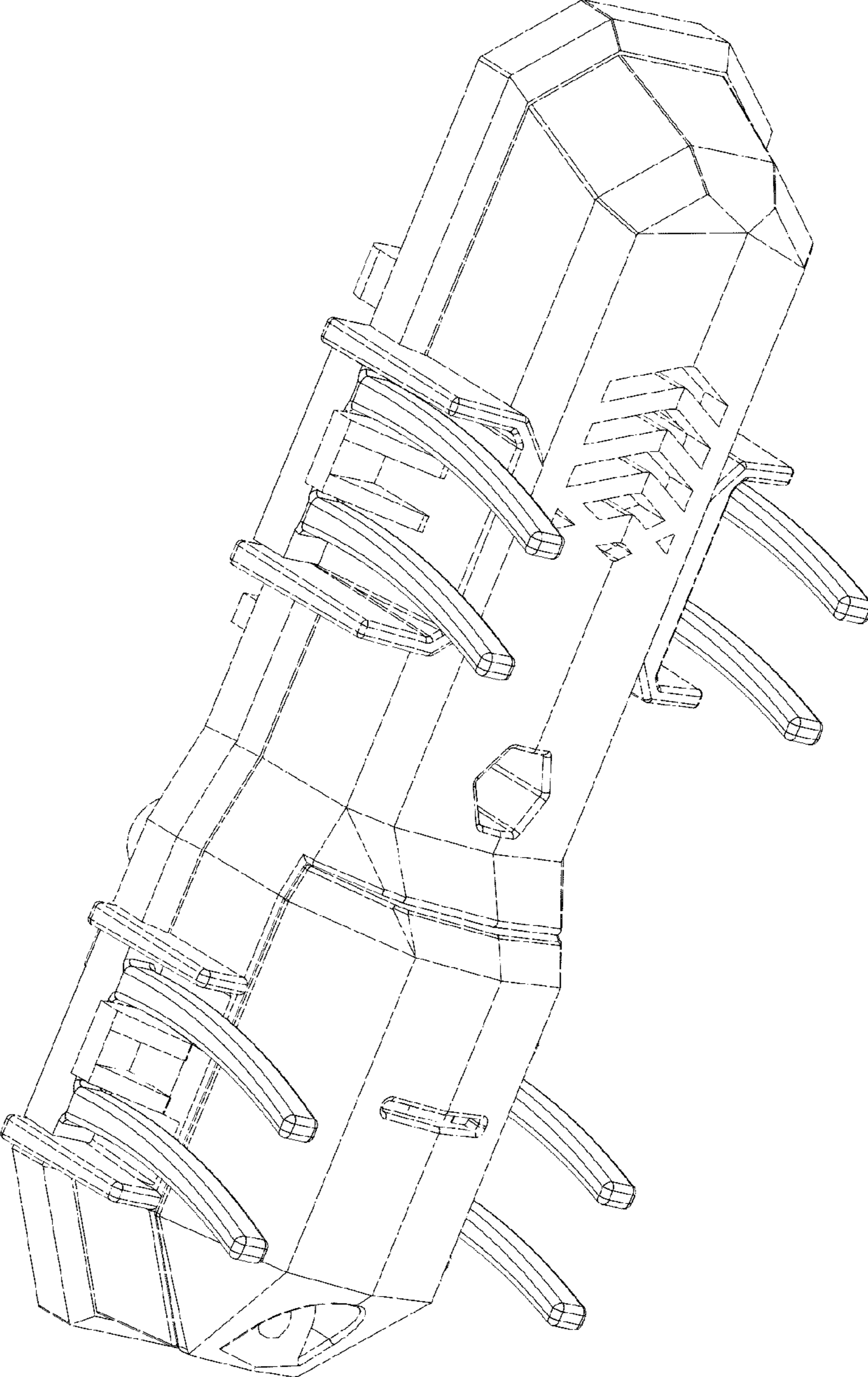


FIGURE 13

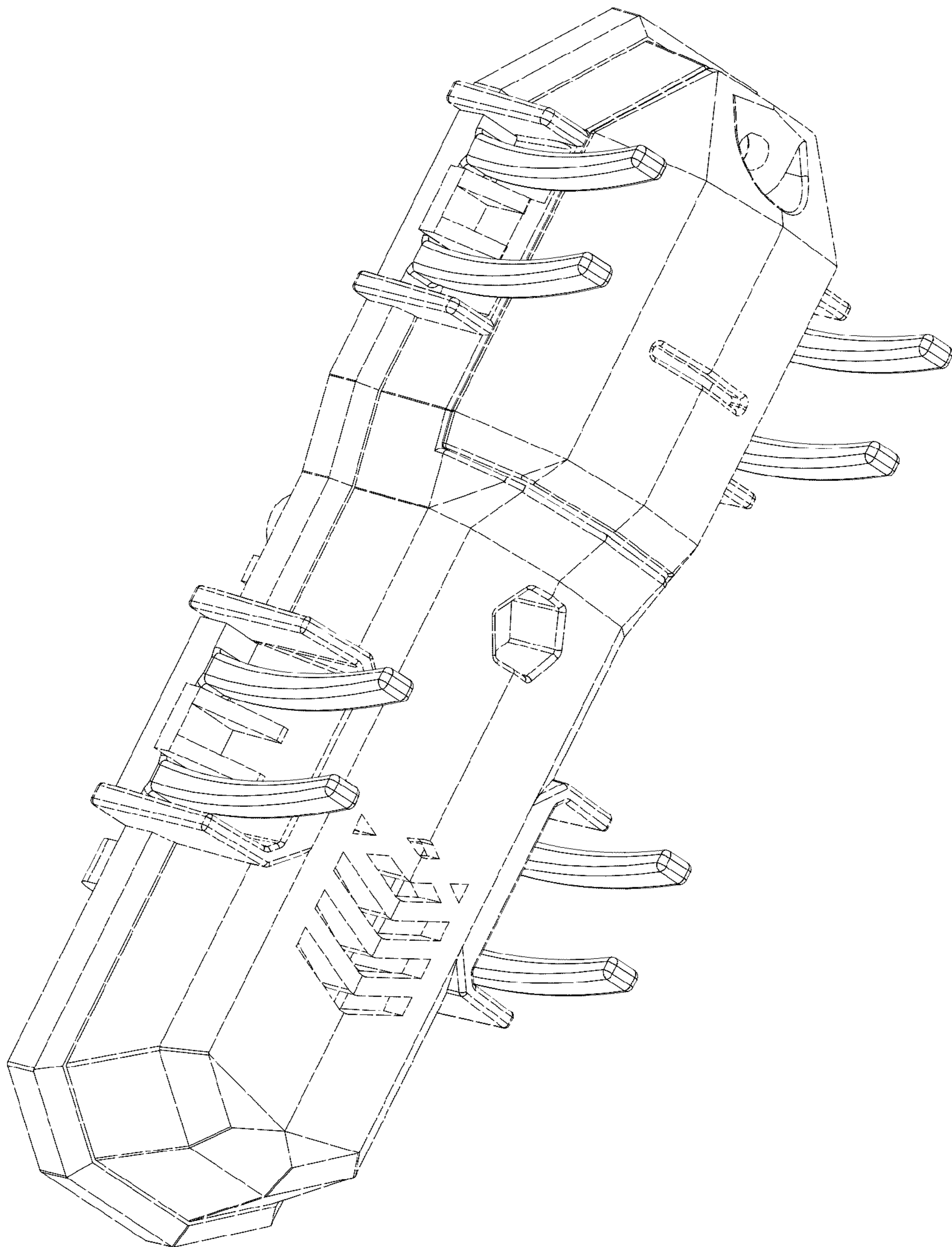


FIGURE 14

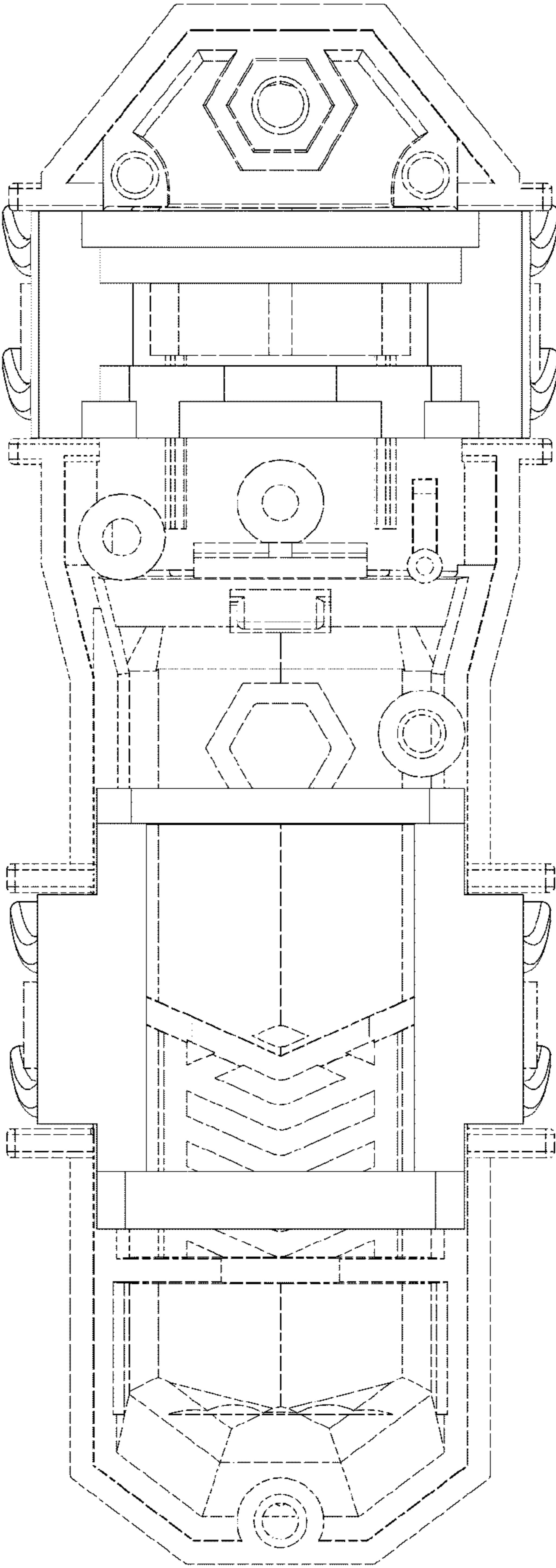


FIGURE 15

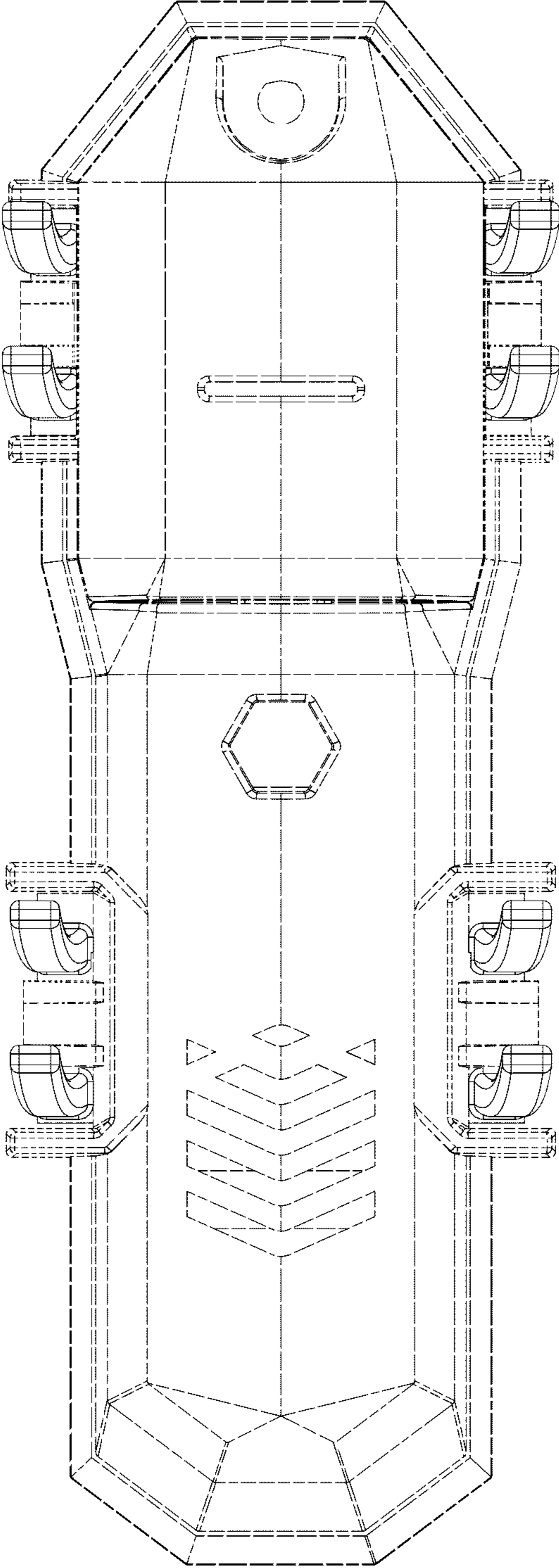


FIGURE 16

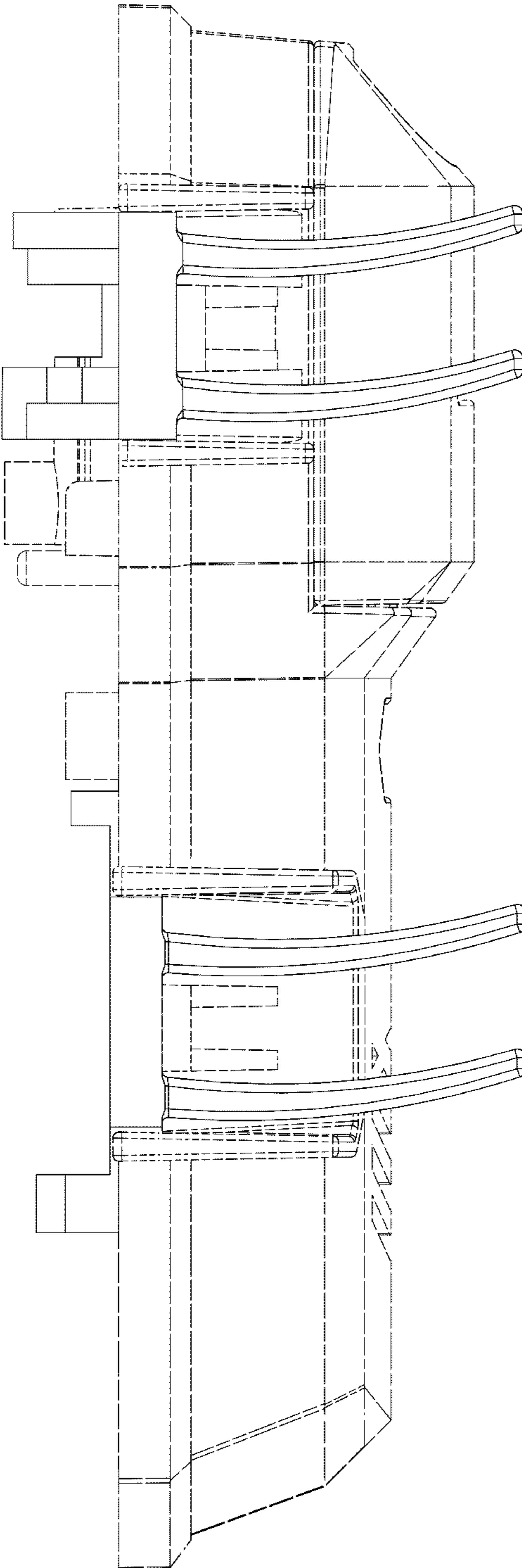


FIGURE 17

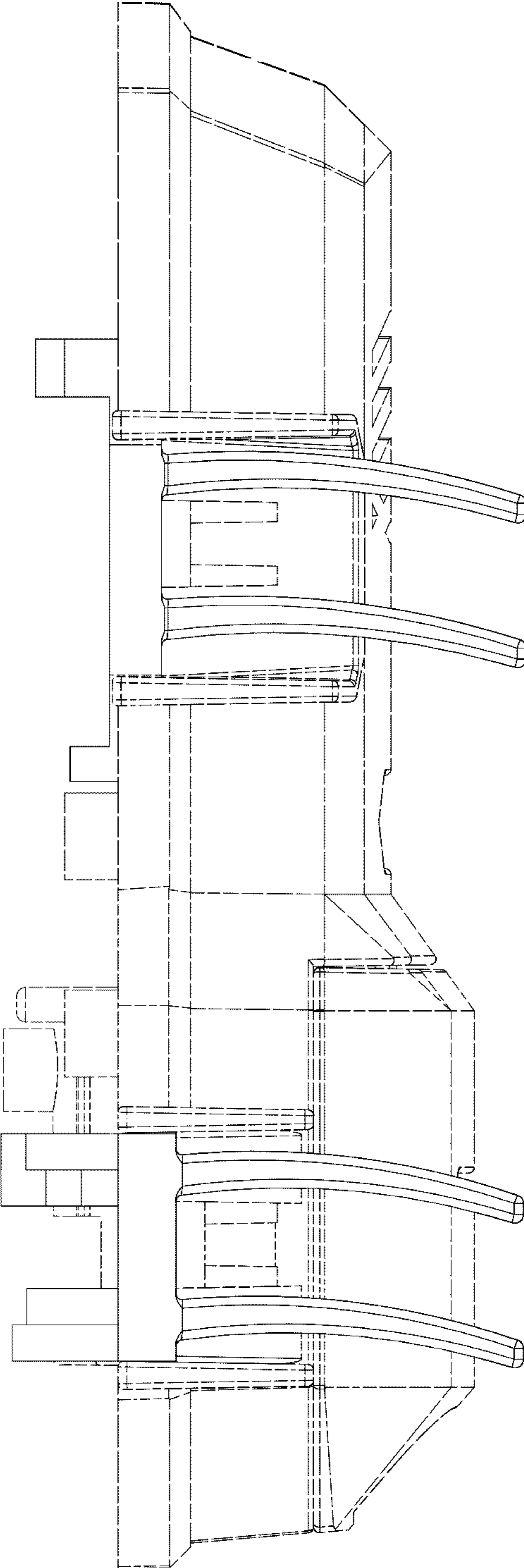


FIGURE 18

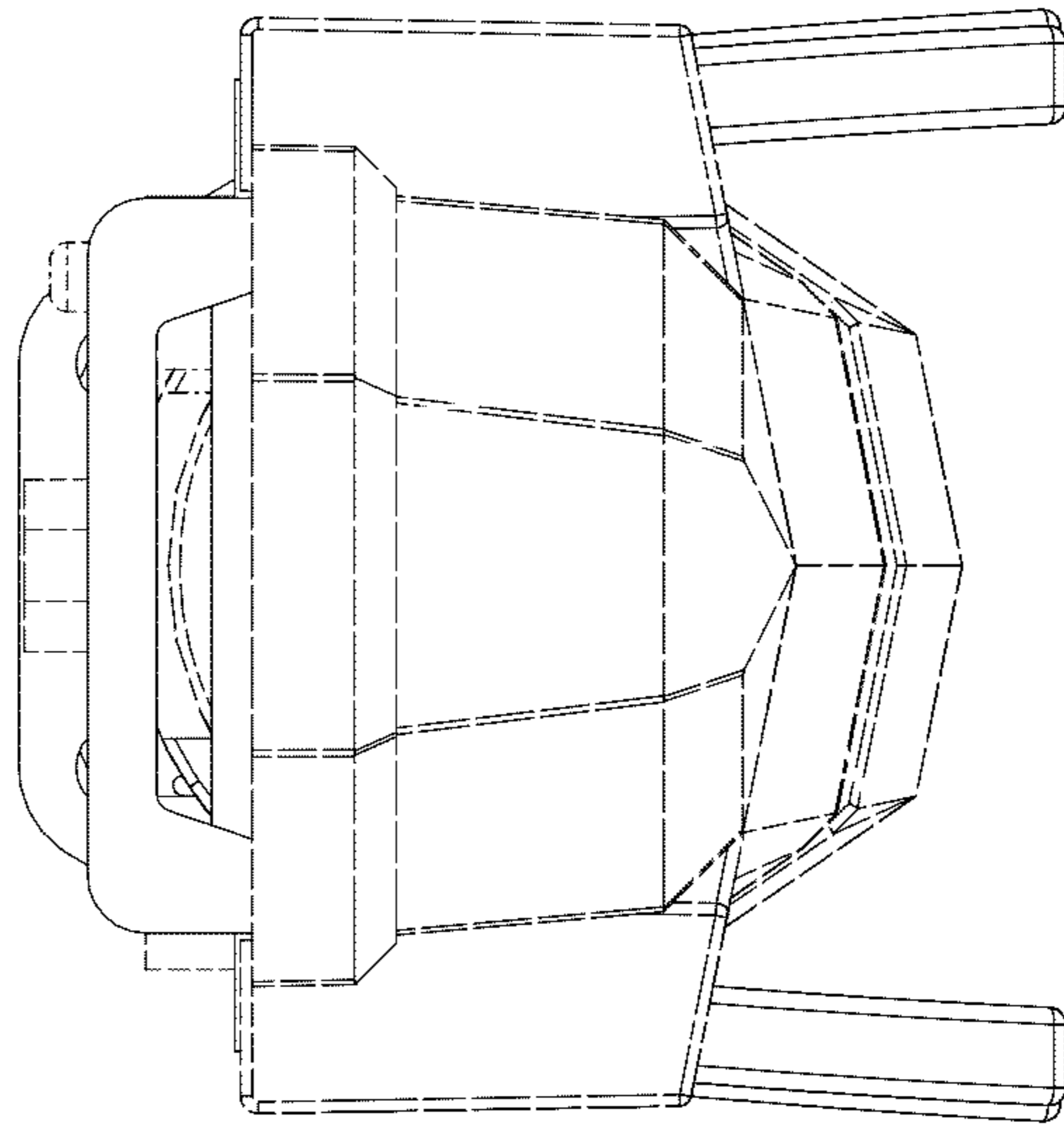


FIGURE 19

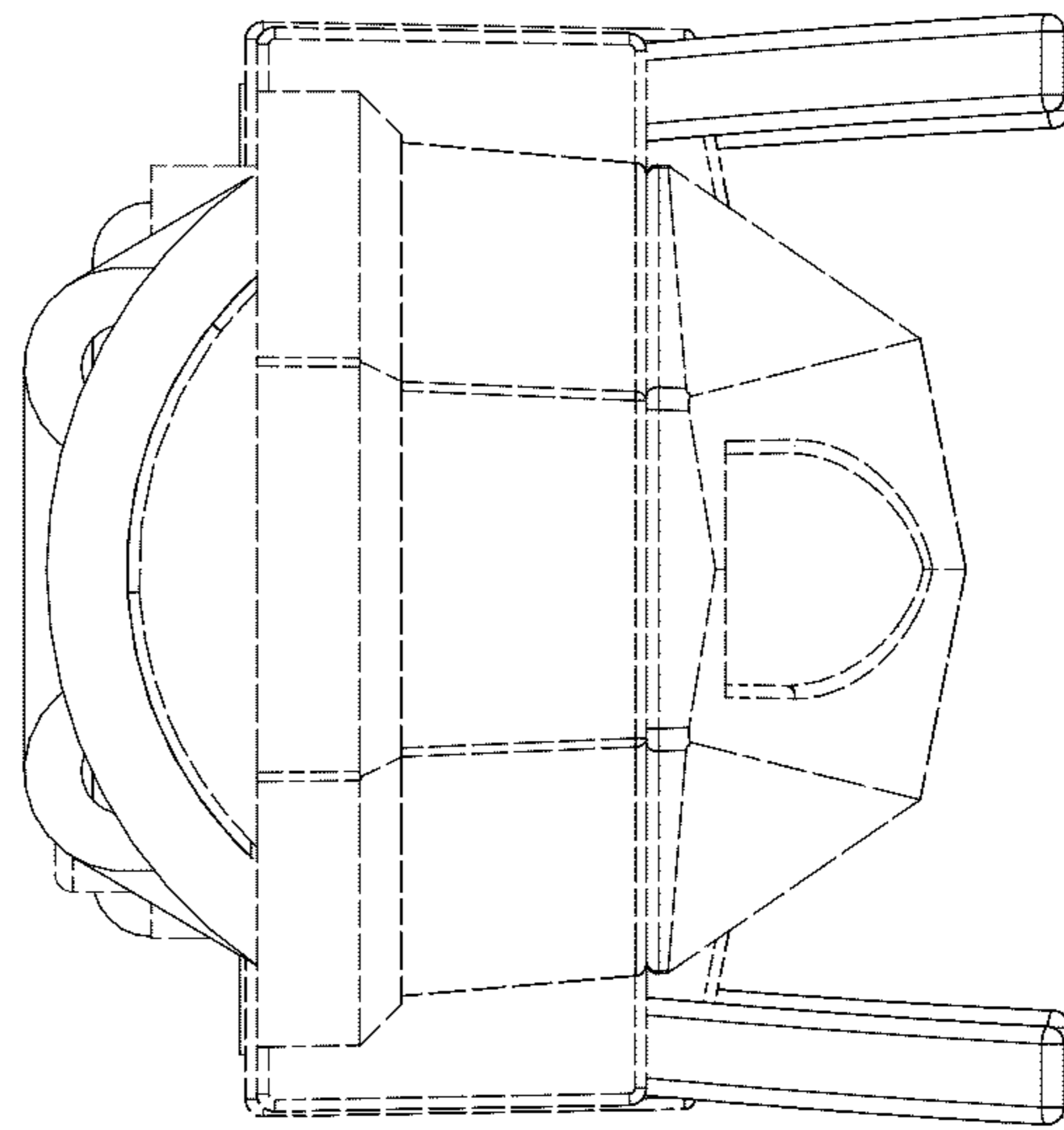
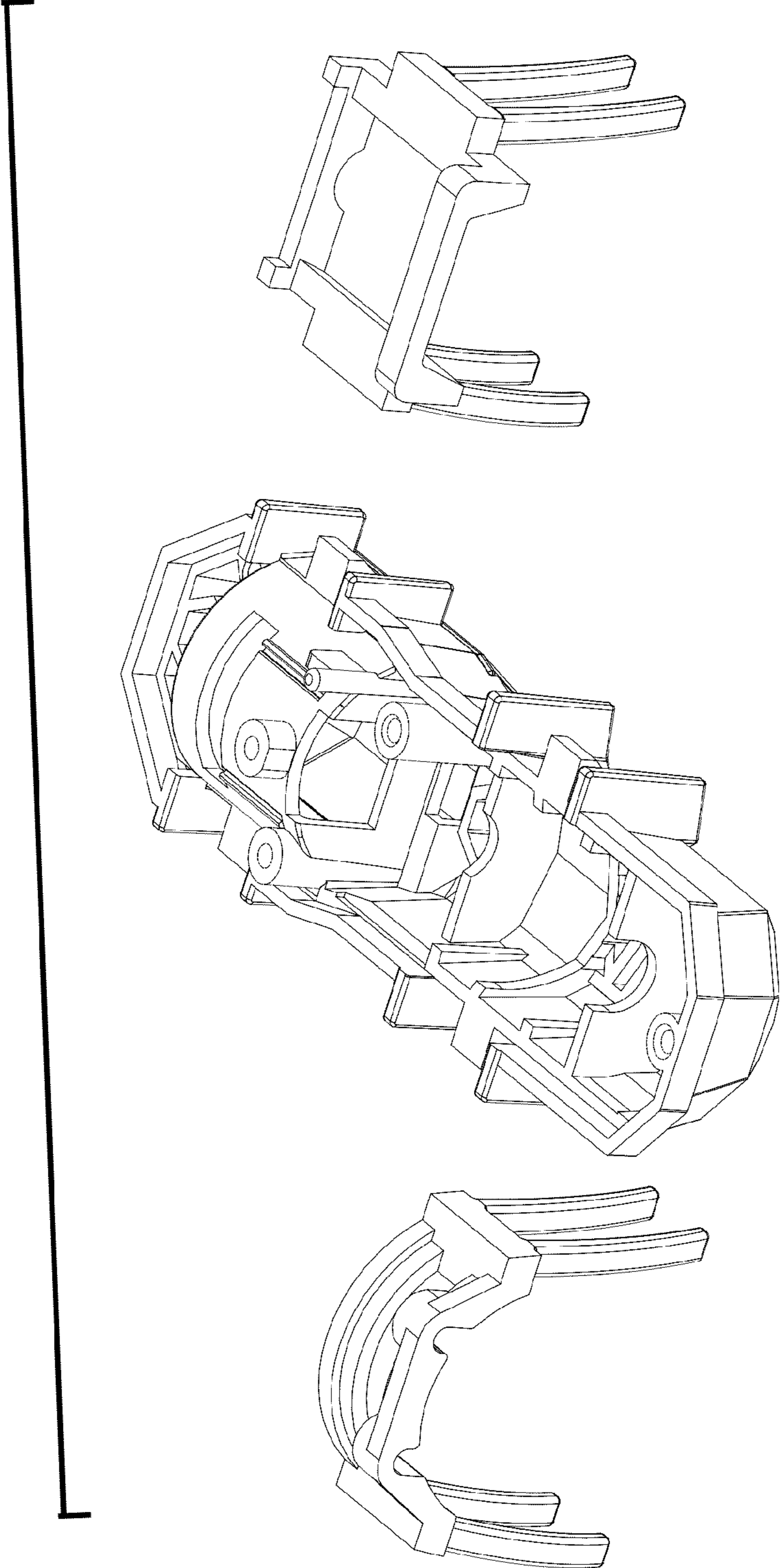


FIGURE 20

FIGURE 21



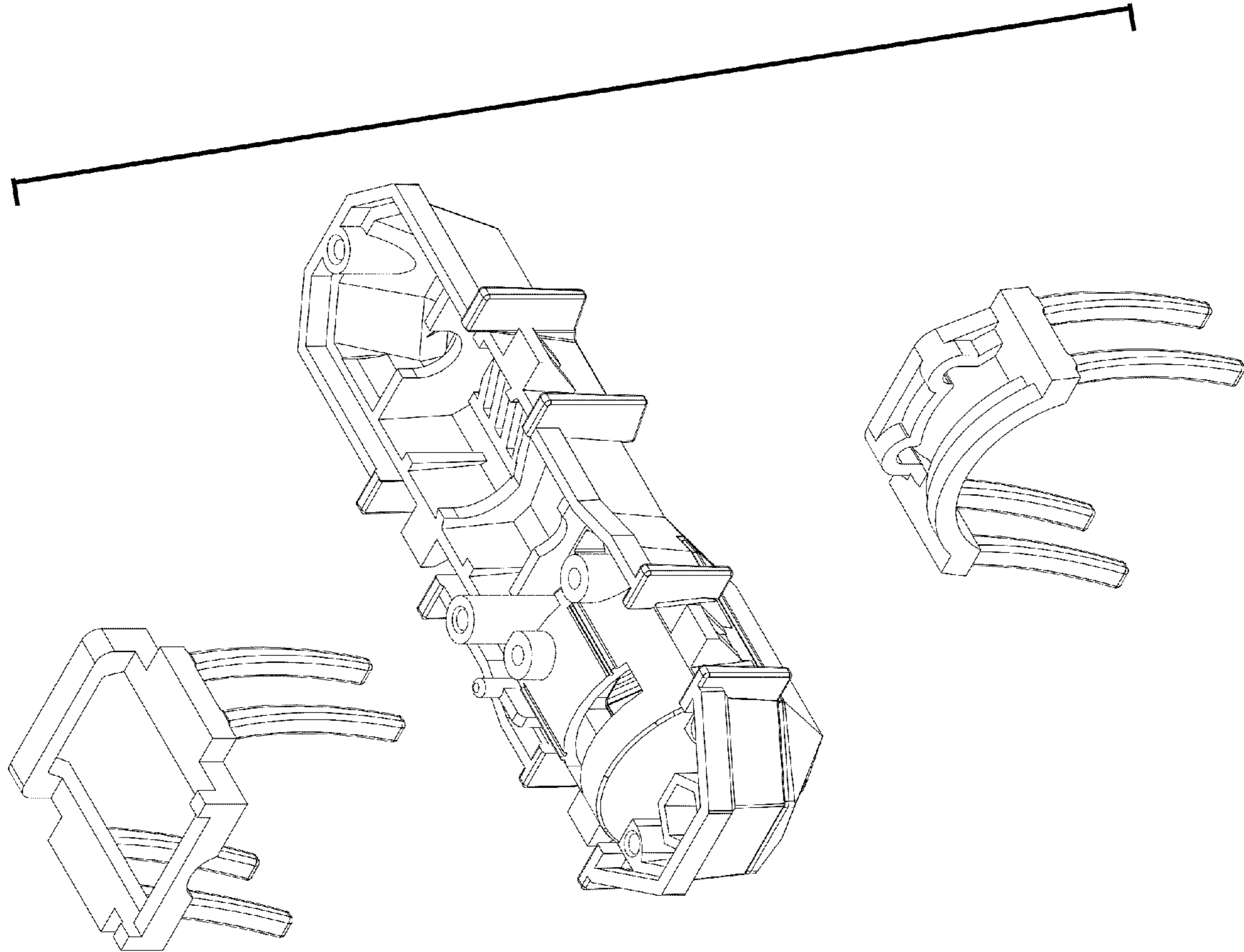


FIGURE 22

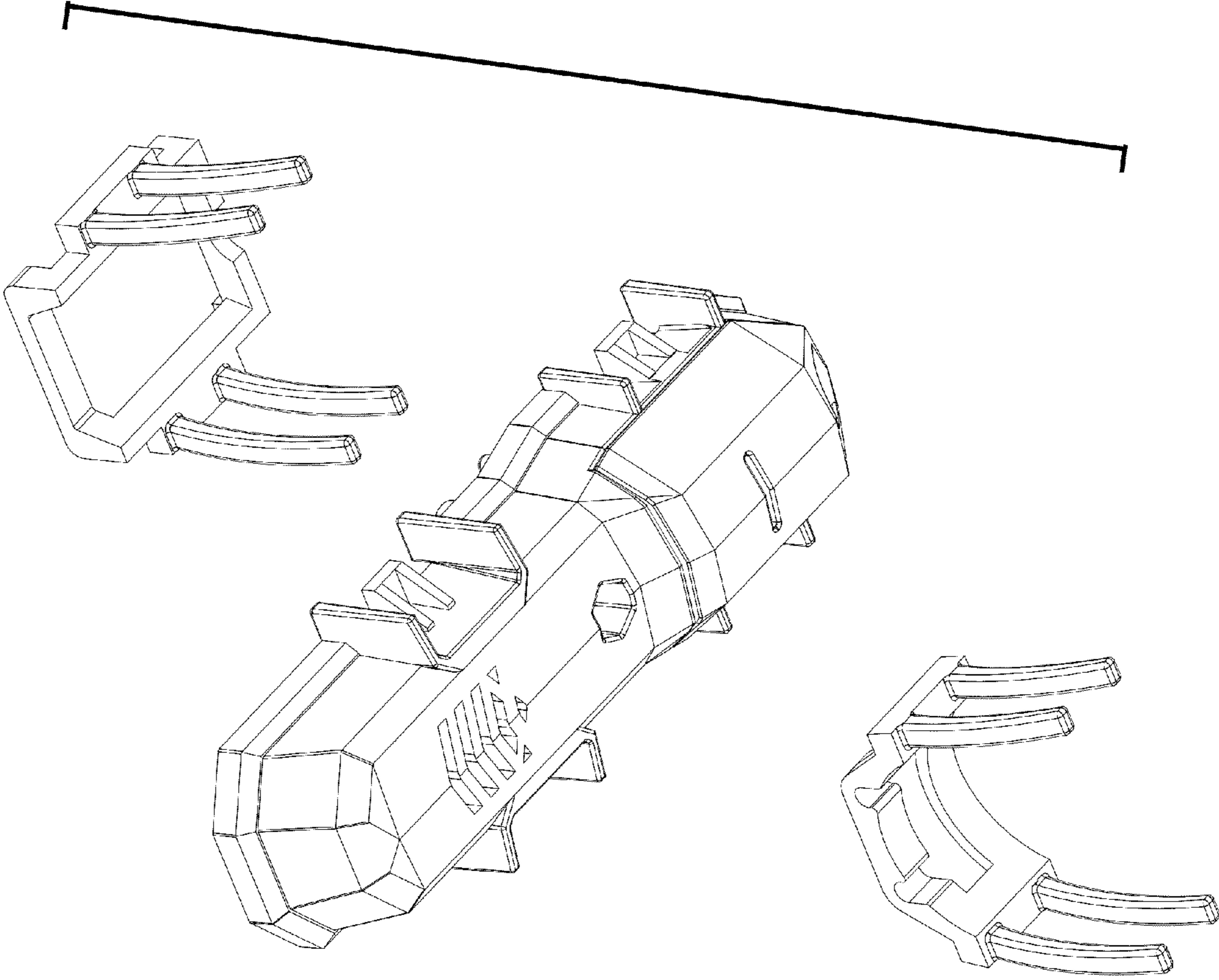


FIGURE 23

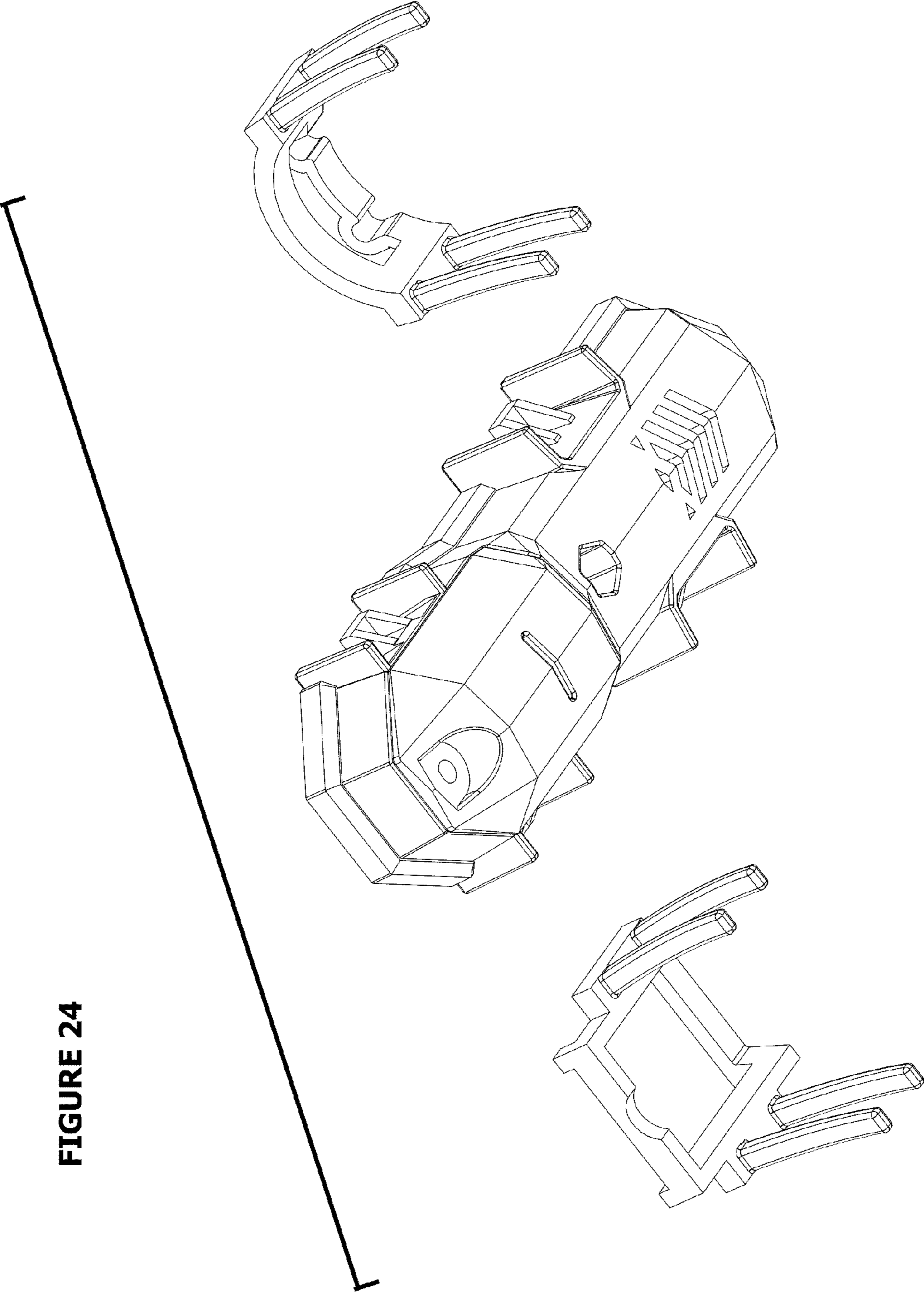


FIGURE 24

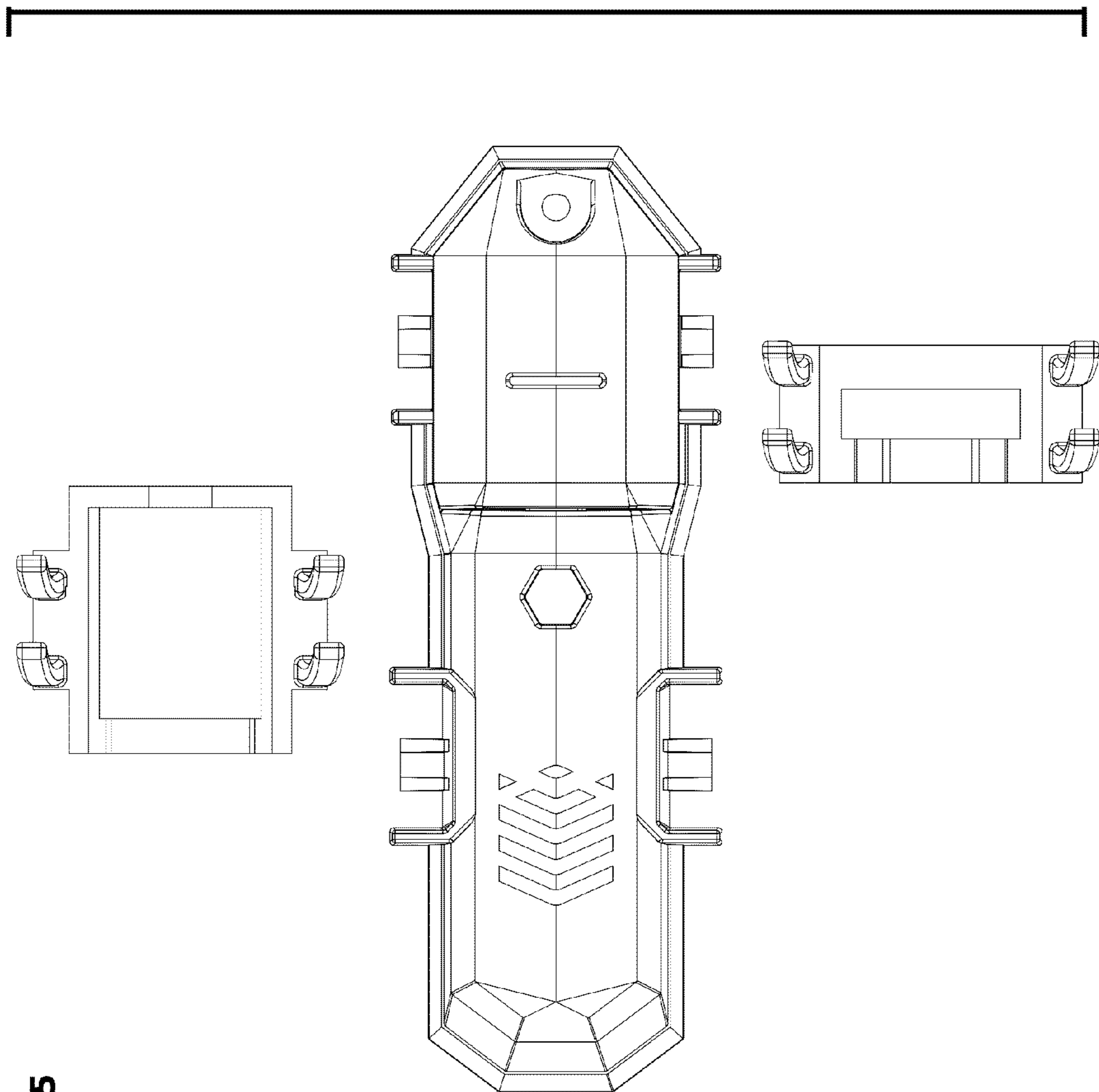


FIGURE 25

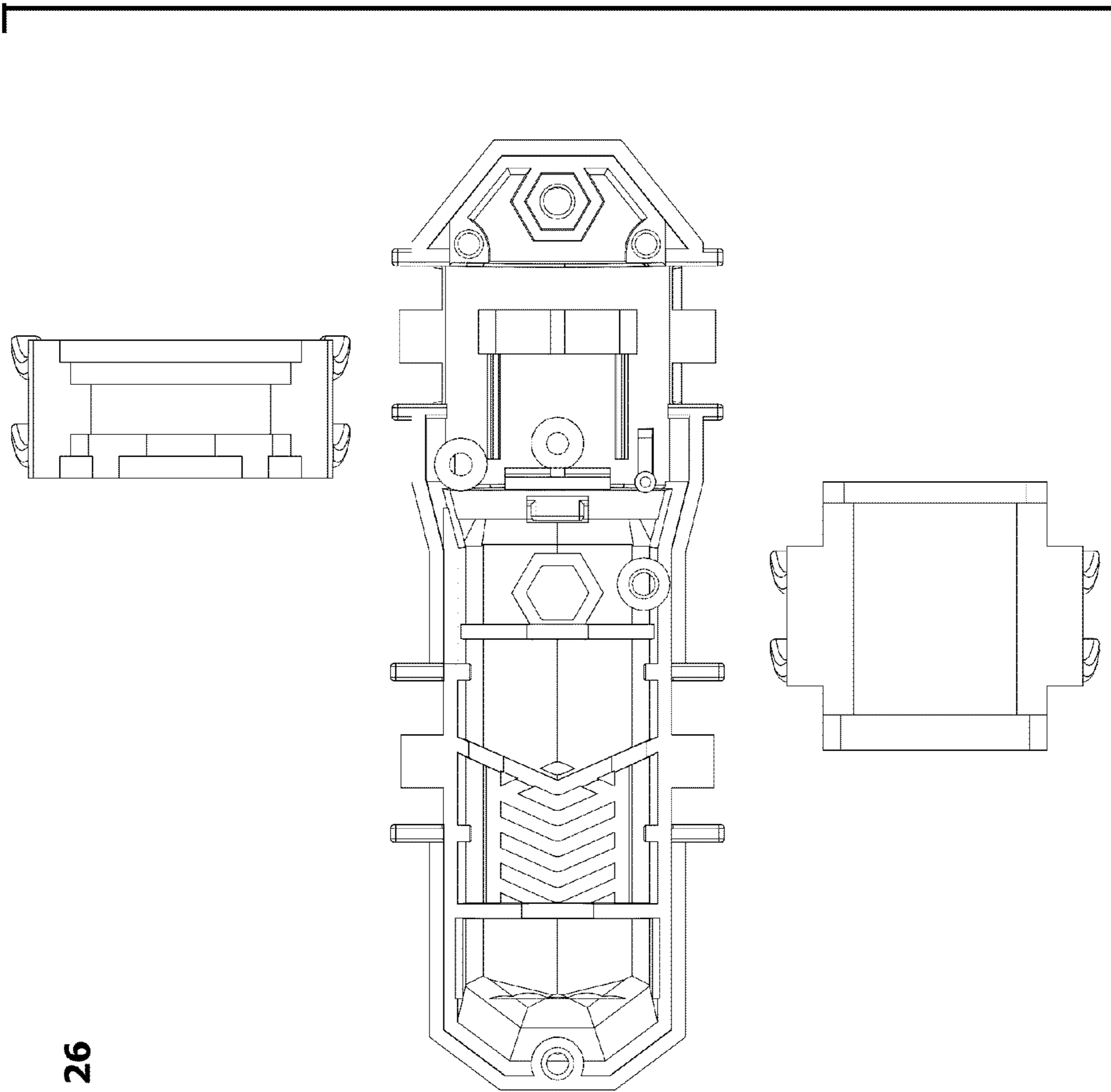


FIGURE 26

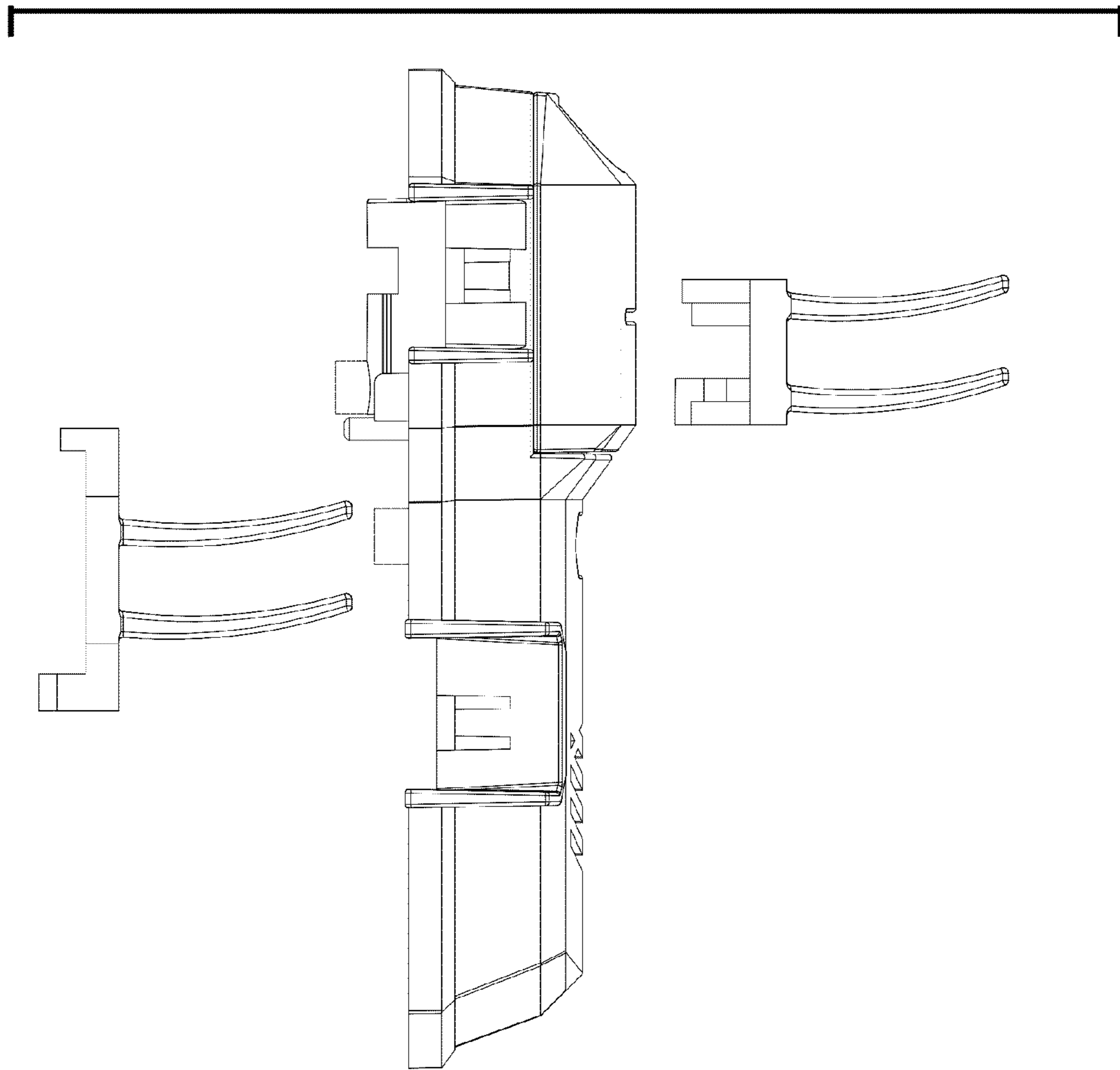


FIGURE 27

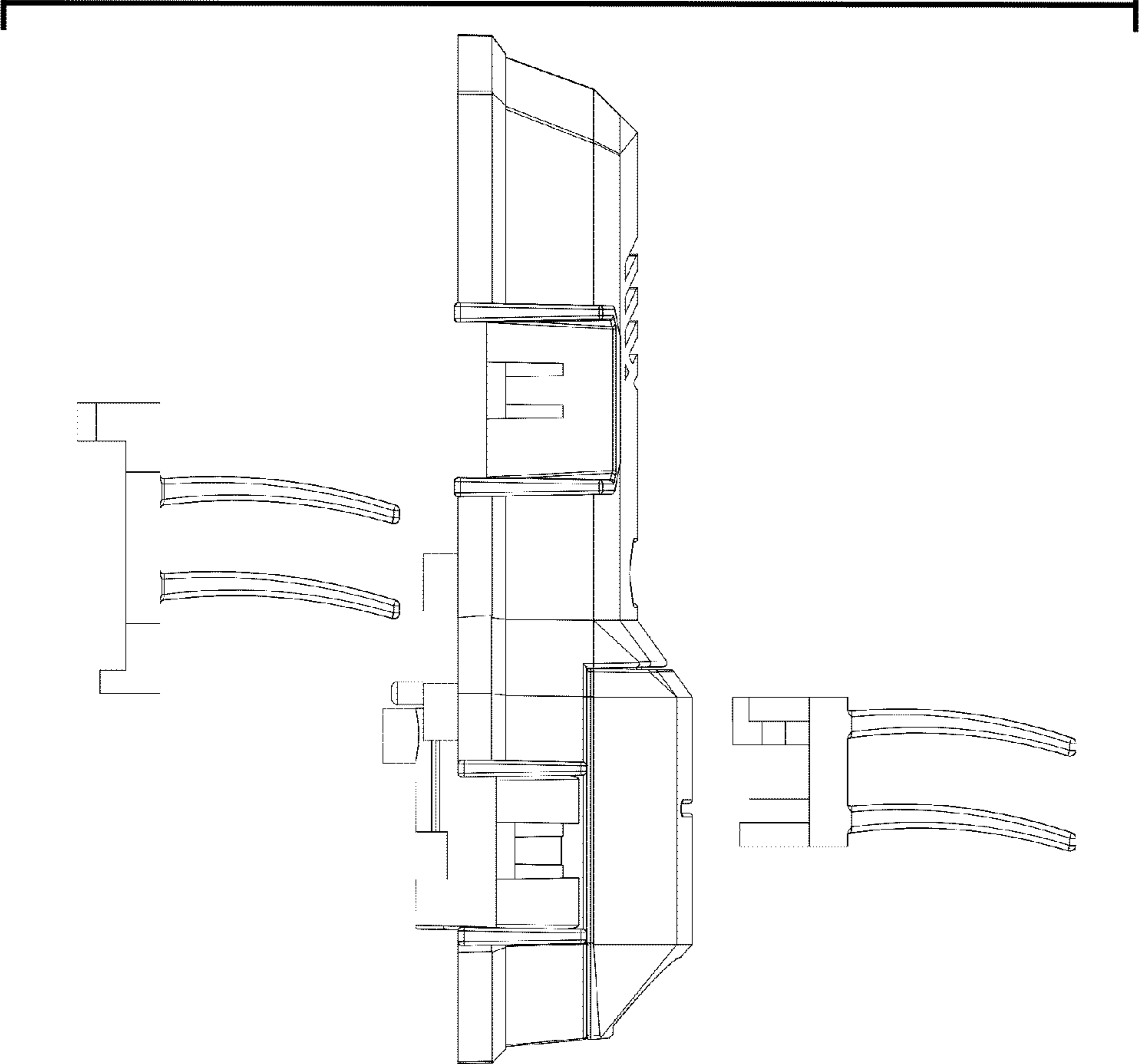


FIGURE 28

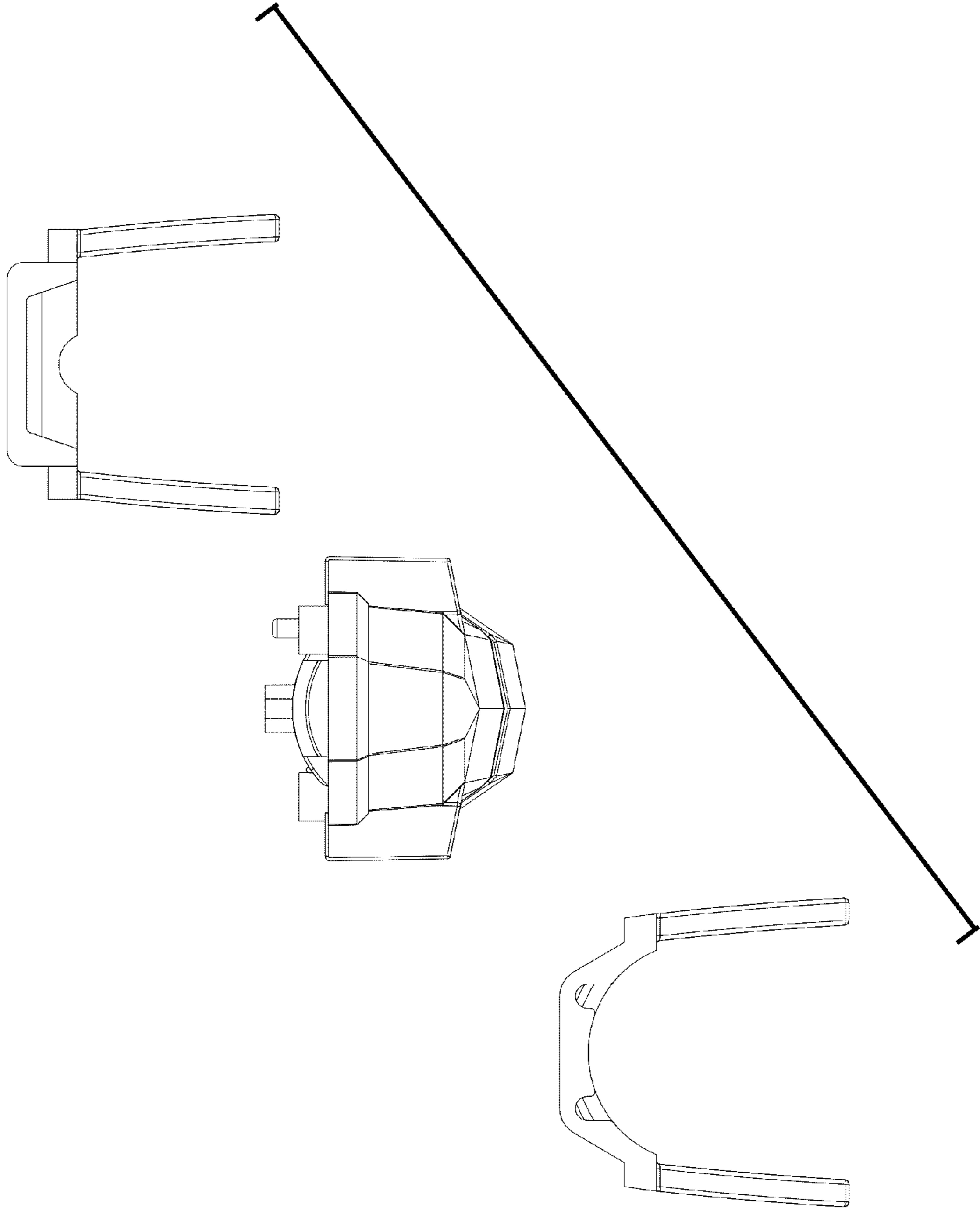


FIGURE 29

FIGURE 30

