



US00D689959S

(12) **United States Design Patent**
Mimlitch, III et al.

(10) **Patent No.:** **US D689,959 S**

(45) **Date of Patent:** **** Sep. 17, 2013**

(54) **THREE-WAY TRACK COMPONENT**

(75) Inventors: **Robert H. Mimlitch, III**, Rowlett, TX (US); **David Anthony Norman**, Greenville, TX (US); **Douglas Michael Galletti**, Allen, TX (US); **Raul Olivera**, Greenville, TX (US); **Gregory Lavender**, Rockwall, TX (US); **Gregory Needel**, Rockwall, TX (US); **Jeffrey Russell Waegelin**, Rockwall, TX (US)

(73) Assignee: **Innovation First, Inc.**, Greenville, TX (US)

(**) Term: **14 Years**

(21) Appl. No.: **29/428,931**

(22) Filed: **Aug. 6, 2012**

(51) **LOC (9) Cl.** **21-01**

(52) **U.S. Cl.**
USPC **D21/565**

(58) **Field of Classification Search**
USPC D21/484, 490, 493, 509, 564, 565, D21/802, 818, 821; 446/168-174, 84, 89, 446/108, 112, 114, 116, 124-128, 429, 444-447; 463/58-69; 238/10 R, 10 A-10 C, 10 E, 238/10 F; 104/60, 69

See application file for complete search history.

(56) **References Cited**

U.S. PATENT DOCUMENTS

2,493,010	A *	1/1950	McDonald	238/10 R
3,206,122	A *	9/1965	Frisbie et al.	238/10 F
3,316,401	A *	4/1967	Cramer	238/10 F
3,438,145	A *	4/1969	Genin	238/10 F
3,579,904	A *	5/1971	Genin	238/10 B
3,584,410	A *	6/1971	Lalonde	463/63
D280,919	S *	10/1985	Petersson	D21/565
D303,693	S *	9/1989	Petersson	D21/565
5,087,001	A *	2/1992	Bolli et al.	246/327
6,322,415	B1 *	11/2001	Cyrus et al.	446/130
6,431,936	B1 *	8/2002	Kiribuchi	446/92
8,353,737	B2 *	1/2013	Sofman et al.	446/456

* cited by examiner

Primary Examiner — Cynthia M Chin

(74) *Attorney, Agent, or Firm* — Adam K. Sacharoff

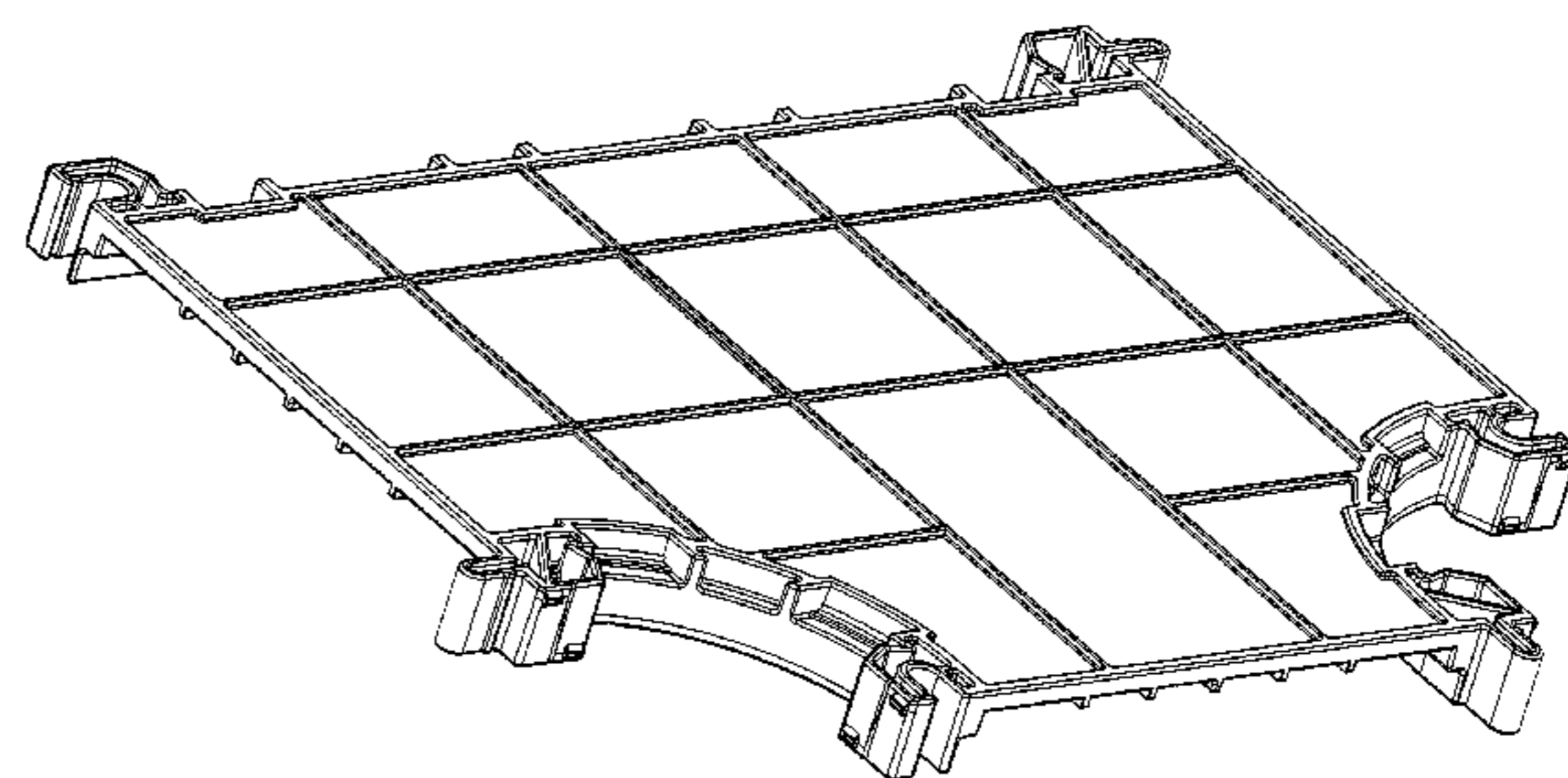
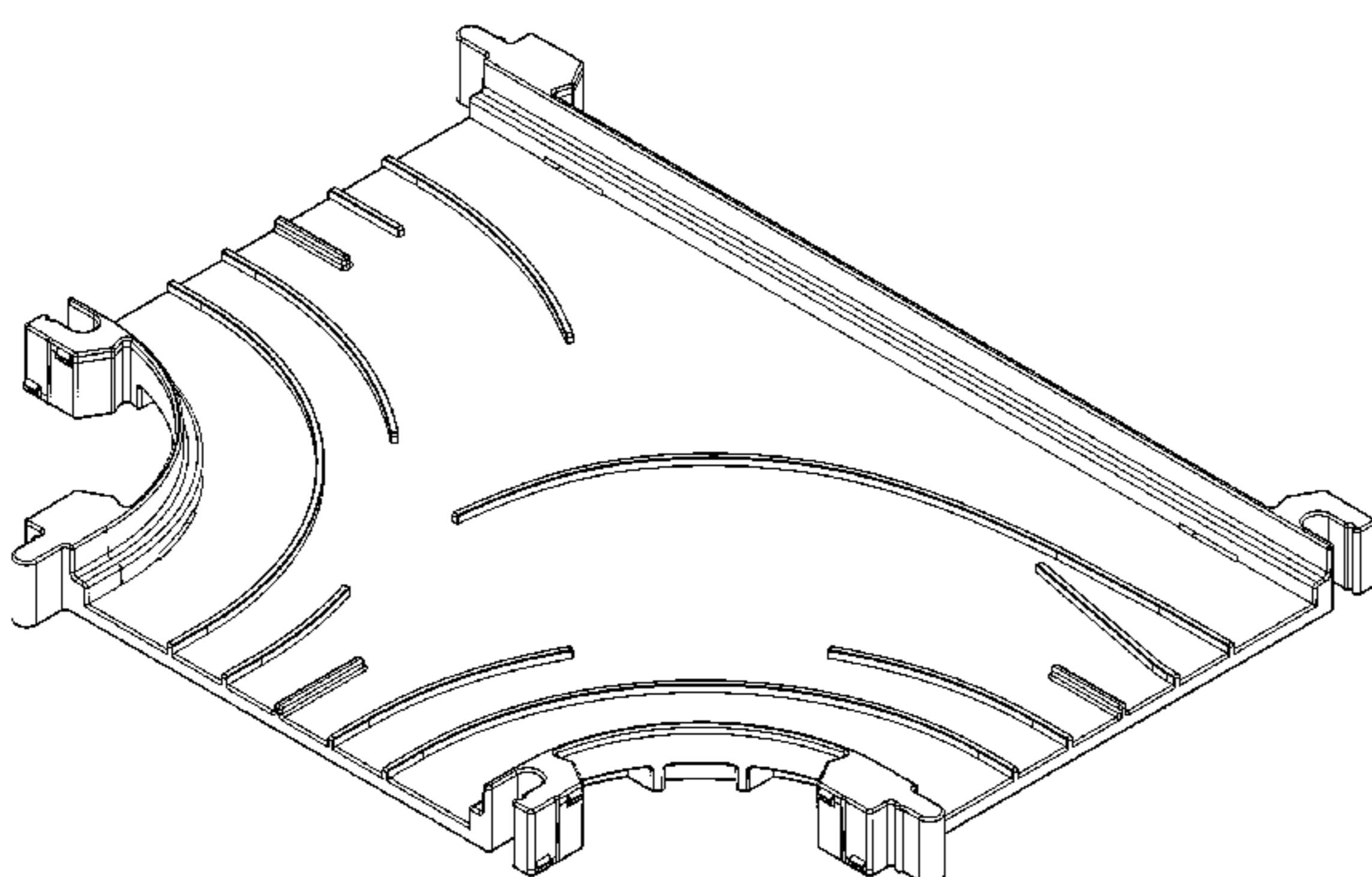
(57) **CLAIM**

The ornamental design for a three-way track component, as shown and described.

DESCRIPTION

FIG. 1 is a front-top perspective view showing a three-way track component in accordance with the present invention; FIG. 2 is a rear-top perspective view of FIG. 1; FIG. 3 is a bottom-front perspective view of FIG. 1; FIG. 4 is a bottom-rear perspective view of FIG. 1; FIG. 5 is a top side view of FIG. 1; FIG. 6 is a bottom side view of FIG. 1; FIG. 7 is a front side view of FIG. 1; FIG. 8 is a rear side view of FIG. 1; FIG. 9 is a left side view of FIGS. 1; and, FIG. 10 is a right side view of FIG. 1.

1 Claim, 10 Drawing Sheets



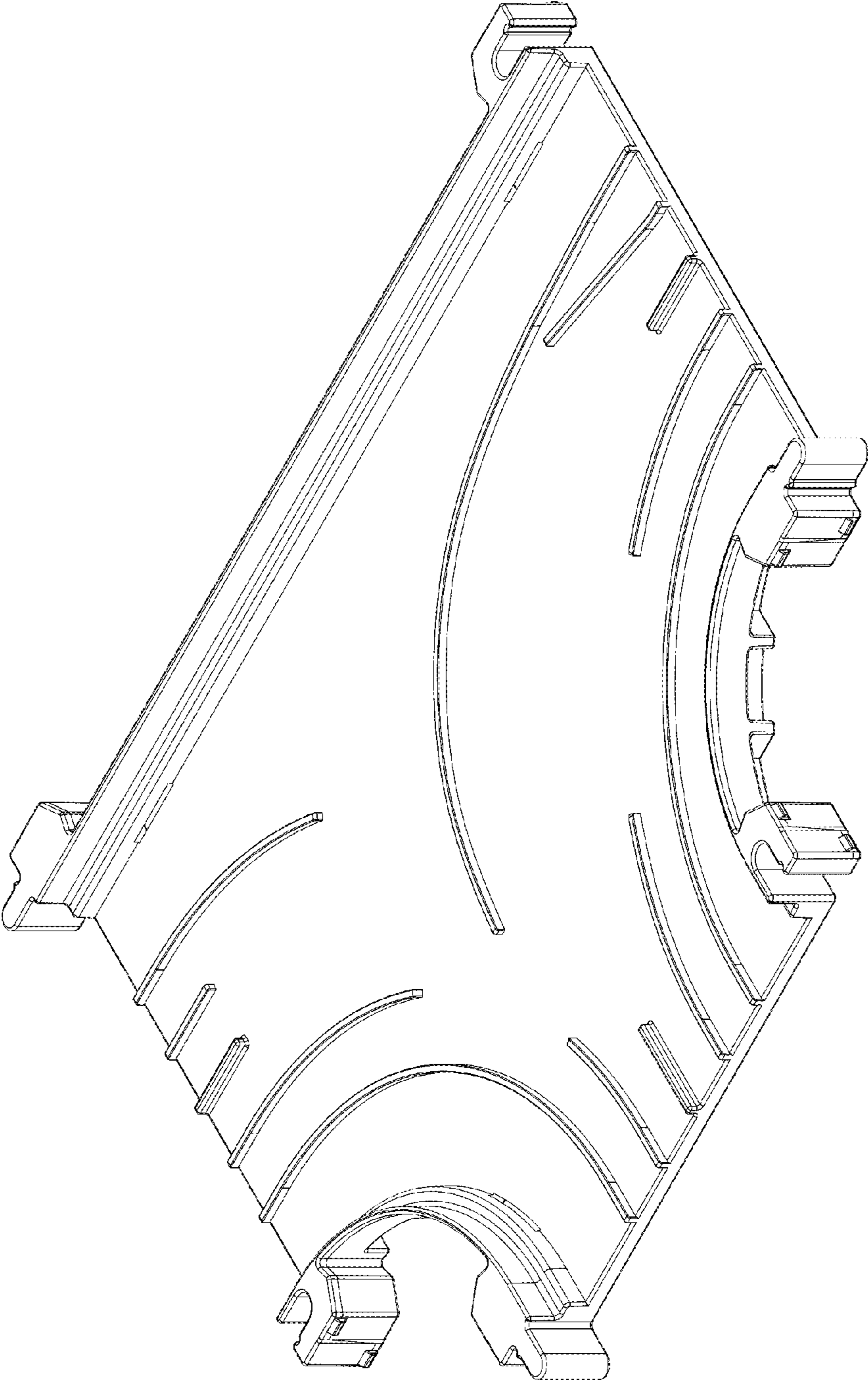


FIGURE 1

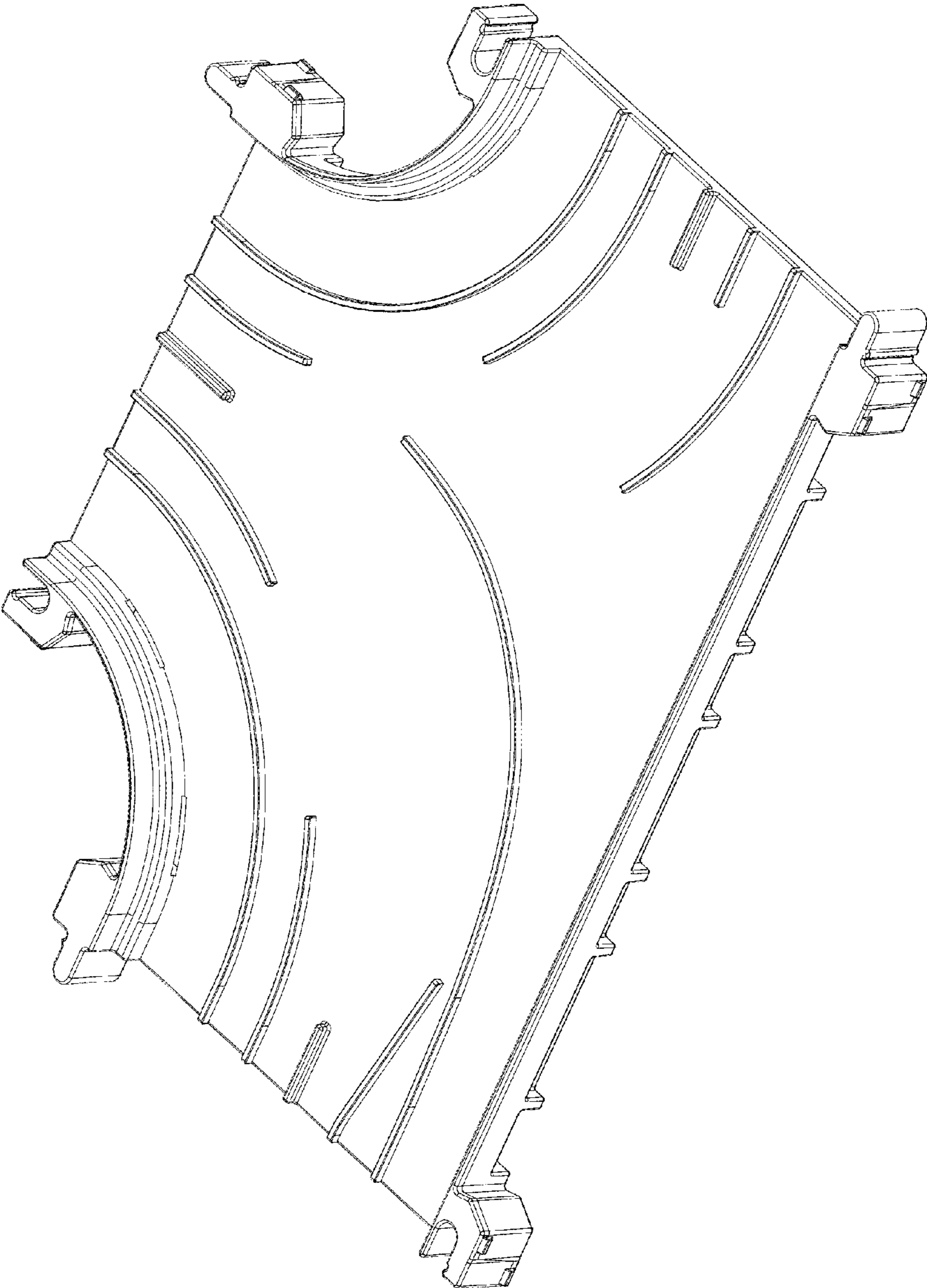


FIGURE 2

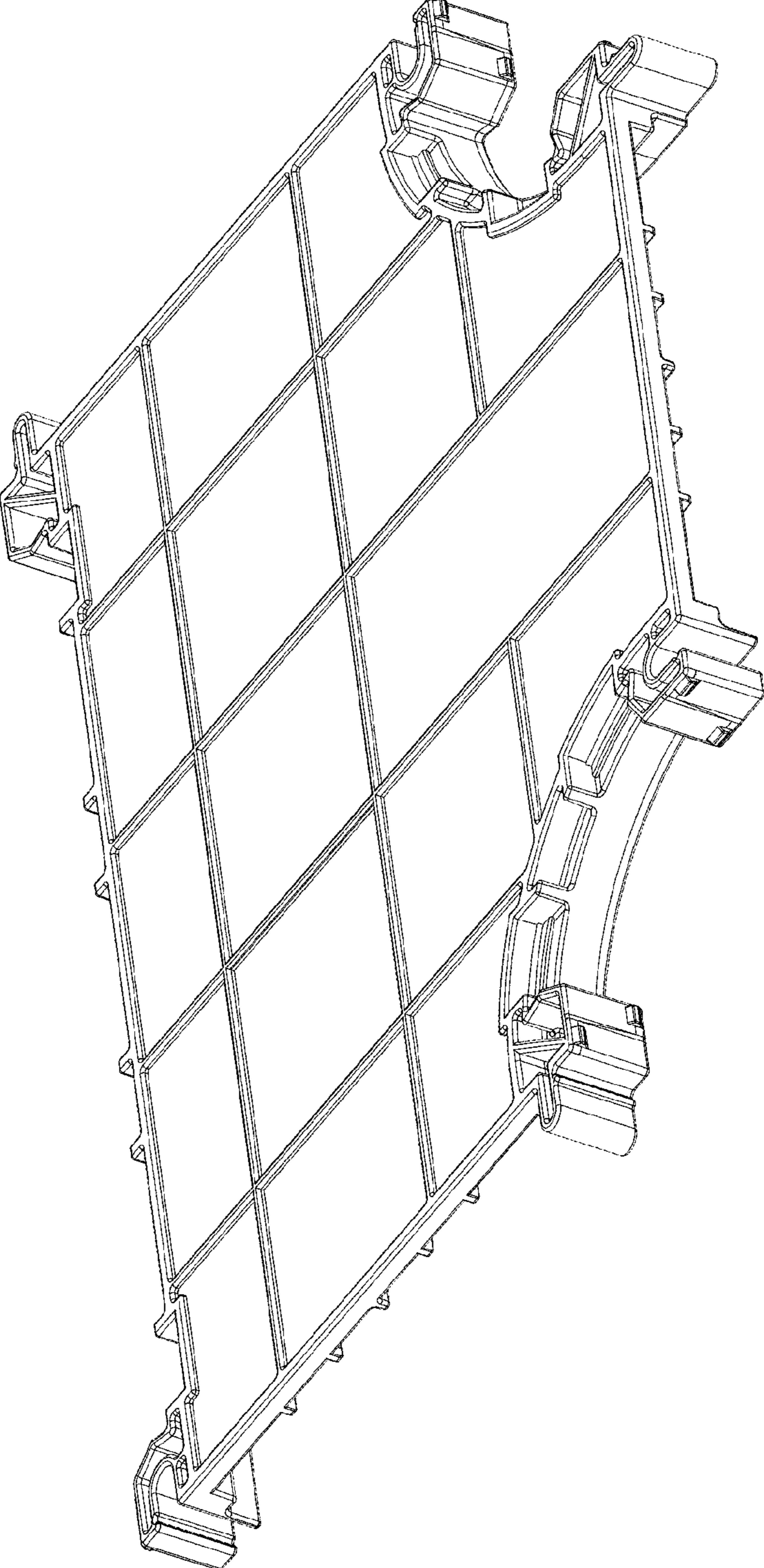


FIGURE 3

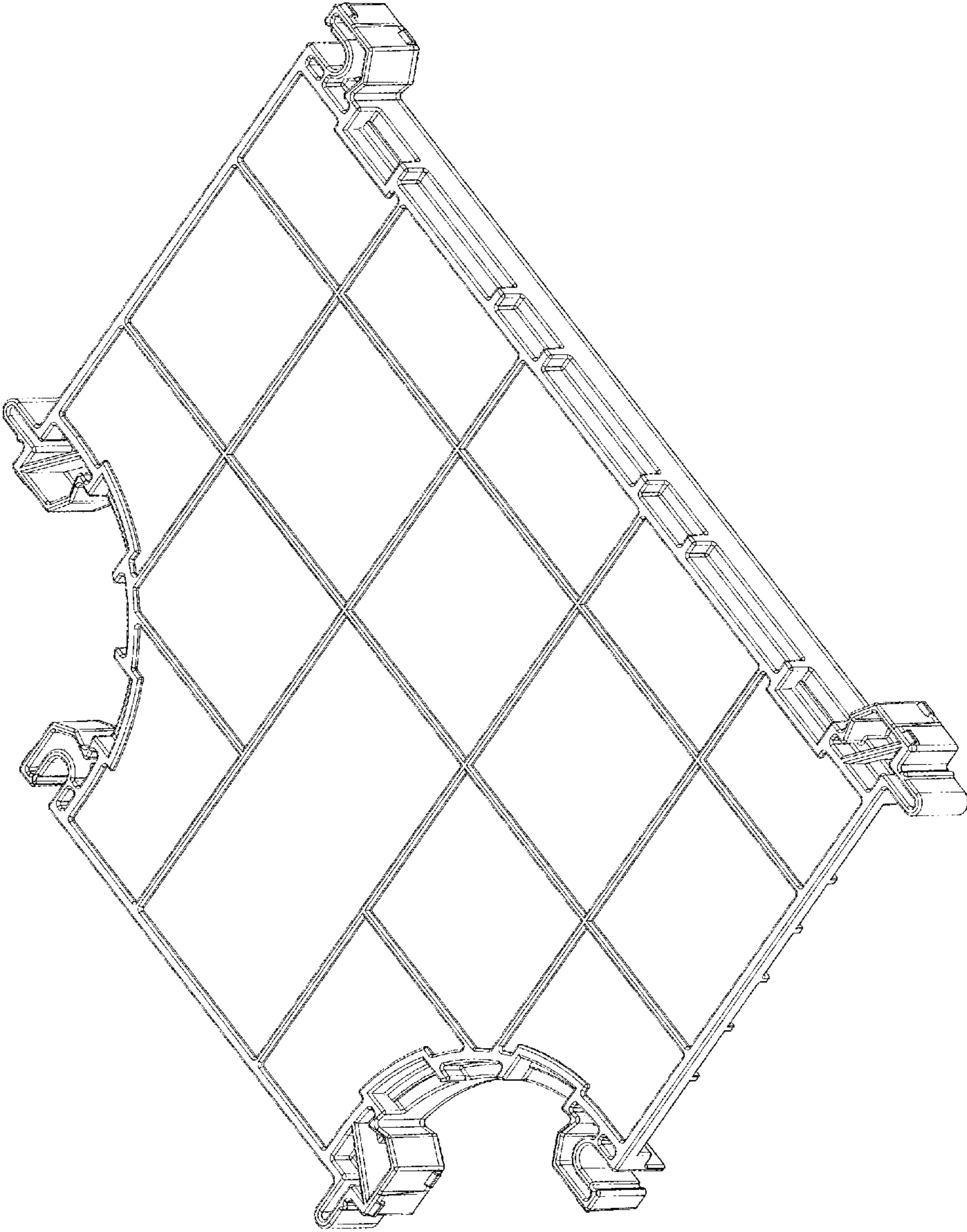


FIGURE 4

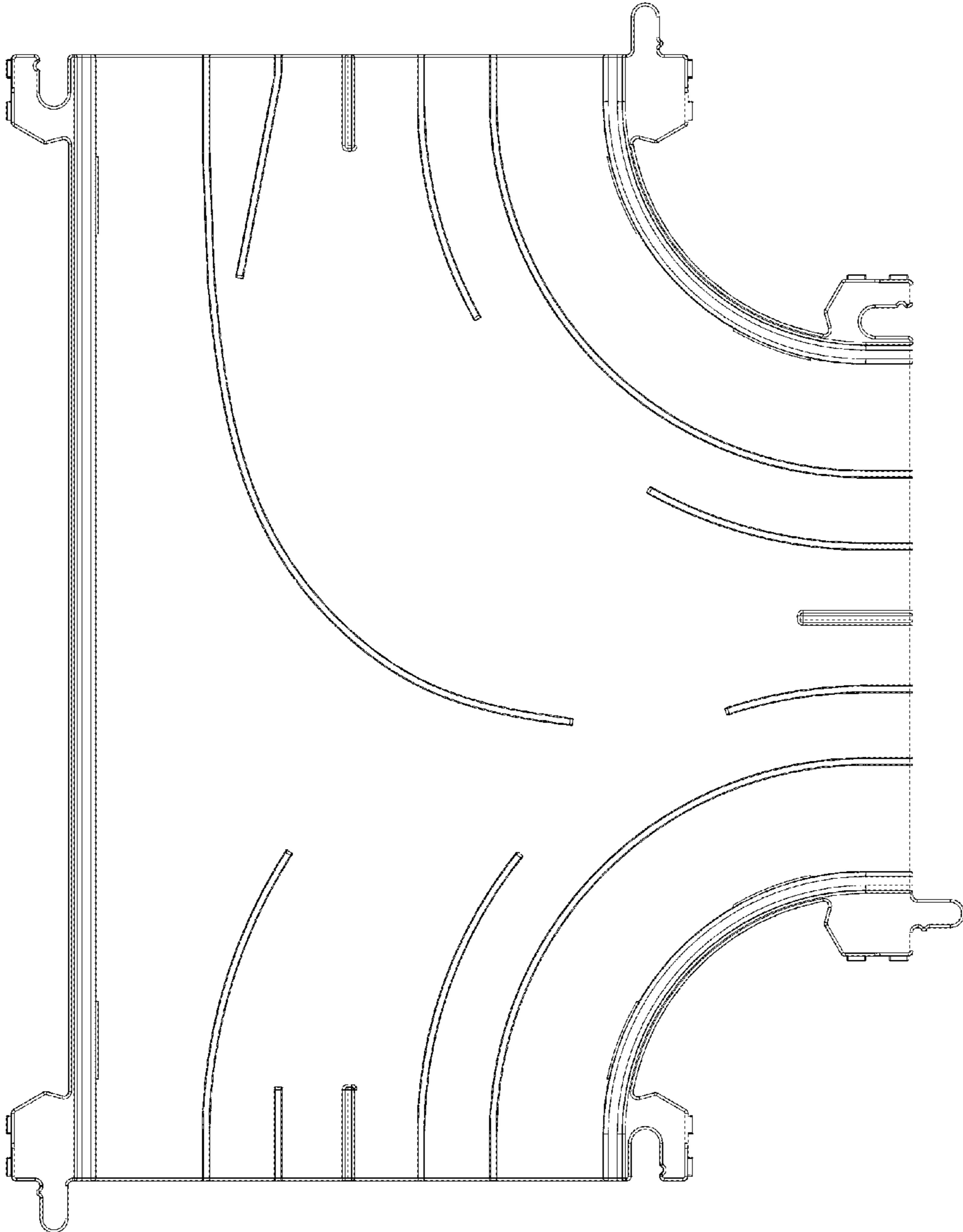


FIGURE 5

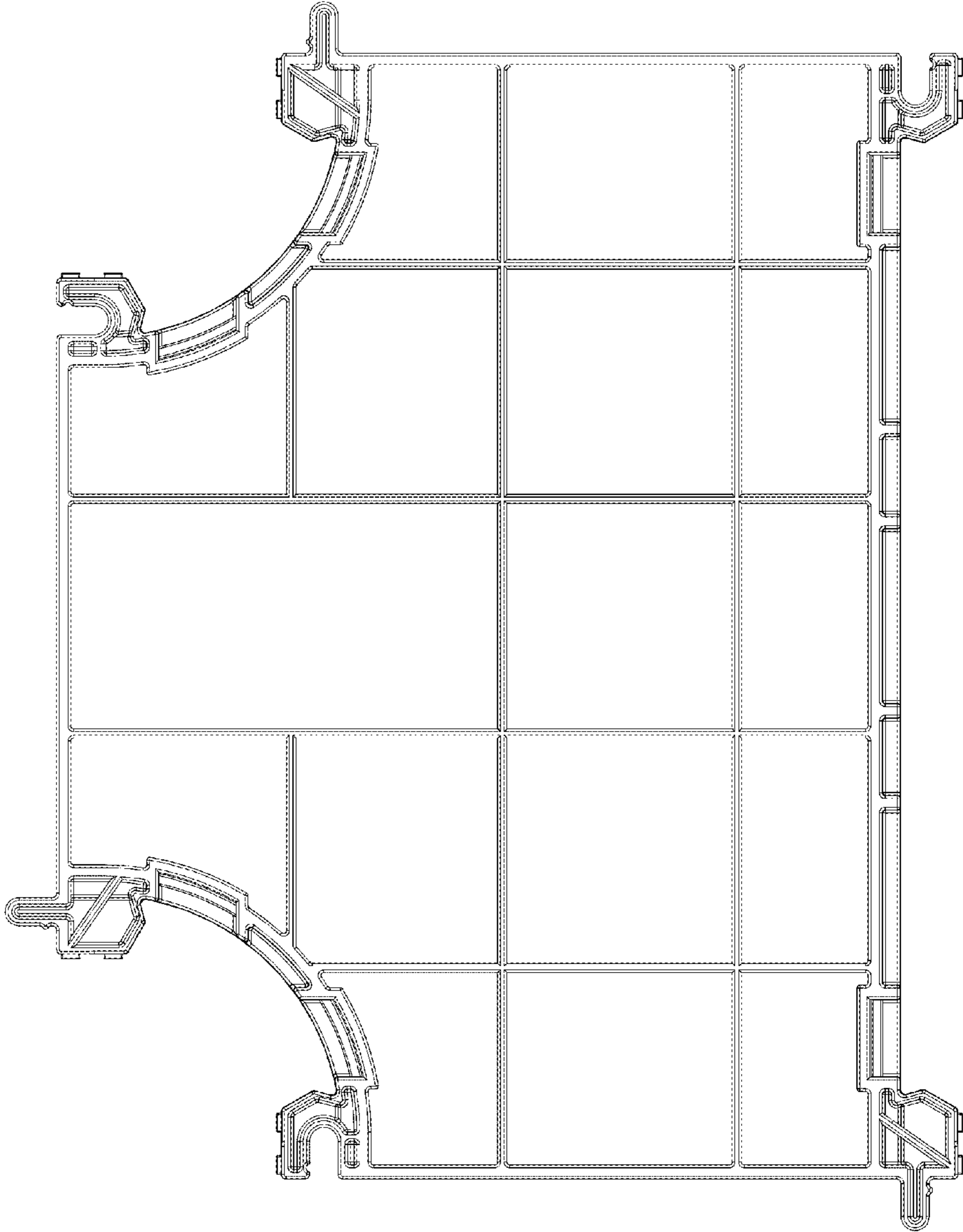


FIGURE 6

FIGURE 7

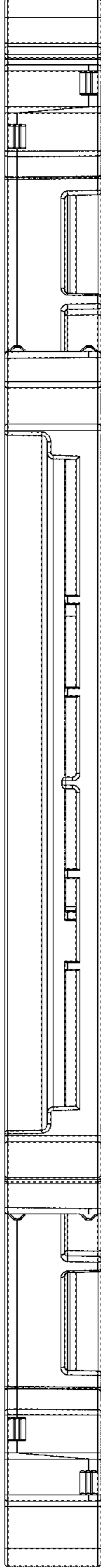
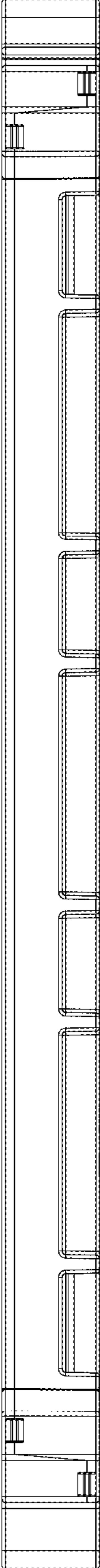


FIGURE 8



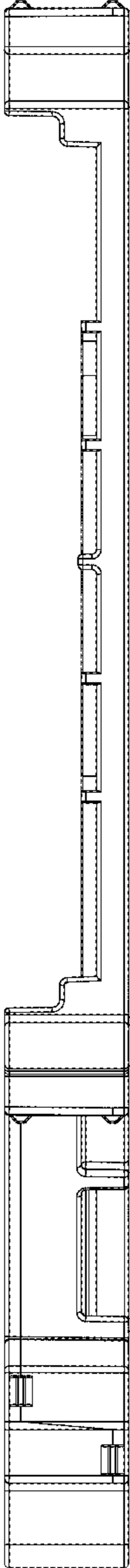


FIGURE 9

FIGURE 10

