



US00D689957S

(12) **United States Design Patent**
Jensen

(10) **Patent No.:** **US D689,957 S**

(45) **Date of Patent:** **** Sep. 17, 2013**

(54) **BUILDING BLOCK FROM A TOY BUILDING SET**

(75) Inventor: **Kurt Jensen**, Vejle (DK)

(73) Assignee: **Lego A/S**, Billund (DK)

(**) Term: **14 Years**

(21) Appl. No.: **29/410,278**

(22) Filed: **Jan. 6, 2012**

(30) **Foreign Application Priority Data**

Jul. 11, 2011 (EM) 001284608

(51) **LOC (9) Cl.** **21-01**

(52) **U.S. Cl.**
USPC **D21/503**; D21/505

(58) **Field of Classification Search**
USPC D21/484, 485, 486, 489, 490, 491,
D21/492, 493, 494, 495, 497, 499, 500–504;
446/69, 85, 102–128; 434/208, 259, 403;
273/153, 156, 160; 428/174
See application file for complete search history.

(56) **References Cited**

U.S. PATENT DOCUMENTS

D311,938 S *	11/1990	Andersen	D21/503
D312,099 S *	11/1990	Andersen	D21/503
D314,405 S *	2/1991	Pedersen et al.	D21/503
D318,696 S *	7/1991	Hoyer et al.	D21/503
D319,267 S *	8/1991	Hoyer et al.	D21/503
D350,789 S *	9/1994	Ryaa et al.	D21/503

FOREIGN PATENT DOCUMENTS

RU 45017 S 1/1999

OTHER PUBLICATIONS

Russian associate's letter dated Jun. 28, 2012 (in the English language), reporting receipt of the enclosed Official Decision of Grant (in the Russian language), in co-pending application No. RU 2012500028, issued by the Patent Office of the Russian Federation on Jun. 8, 2012.

* cited by examiner

Primary Examiner — Cynthia M Chin

(74) *Attorney, Agent, or Firm* — Day Pitney LLP

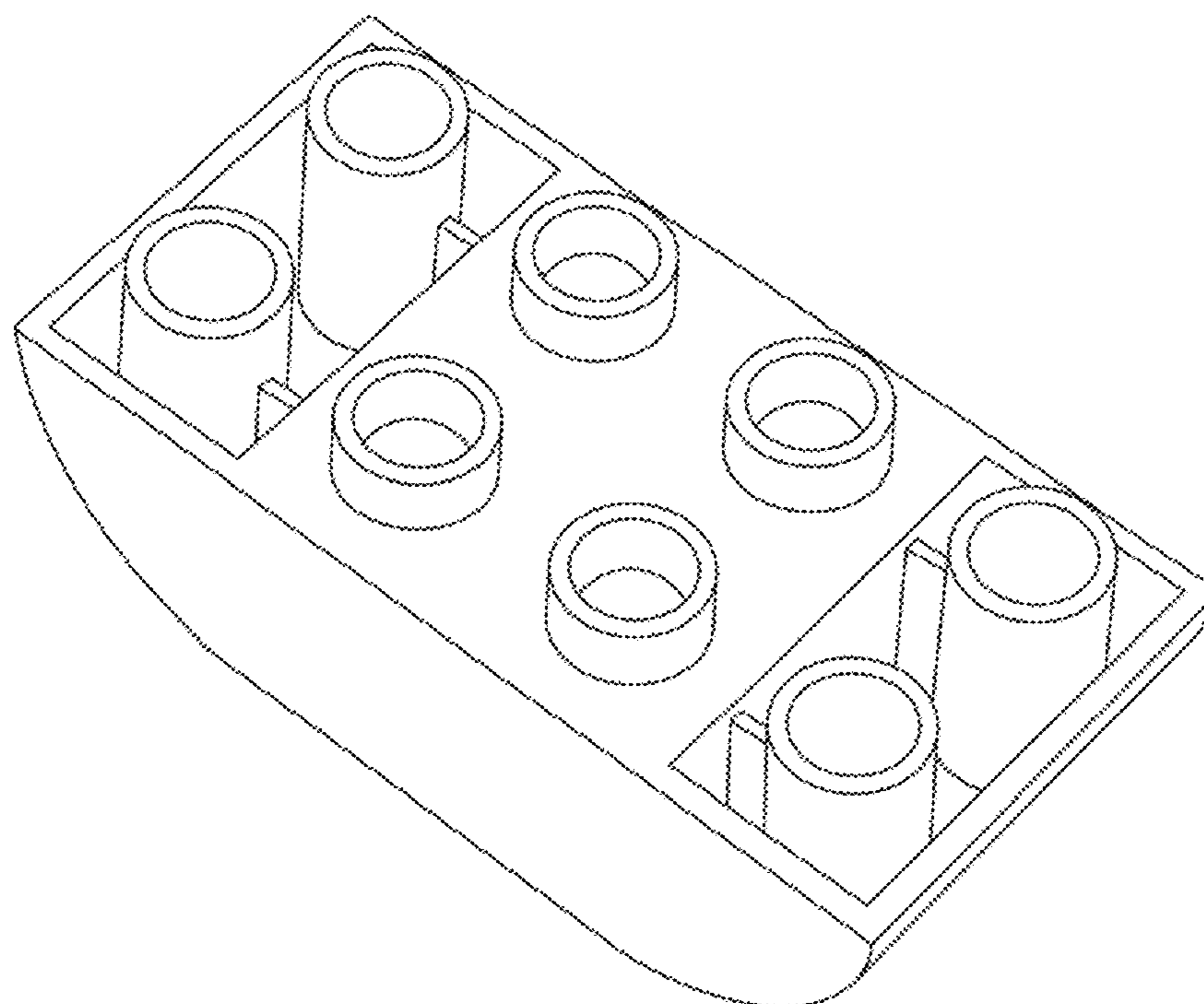
(57) **CLAIM**

The ornamental design for a building block from a toy building set, as shown and described.

DESCRIPTION

FIG. 1 is a top perspective view of my ornamental design for a building block from a toy building set; FIG. 2 is a top plan view thereof; FIG. 3 is a bottom plan view thereof; FIG. 4 is a front view thereof; FIG. 5 is a rear view thereof; FIG. 6 is a right side view thereof; and, FIG. 7 is a left side view thereof. The broken lines in FIGS. 2, 3, 6 & 7 are for environmental purposes only and form no part of the claimed design.

1 Claim, 7 Drawing Sheets



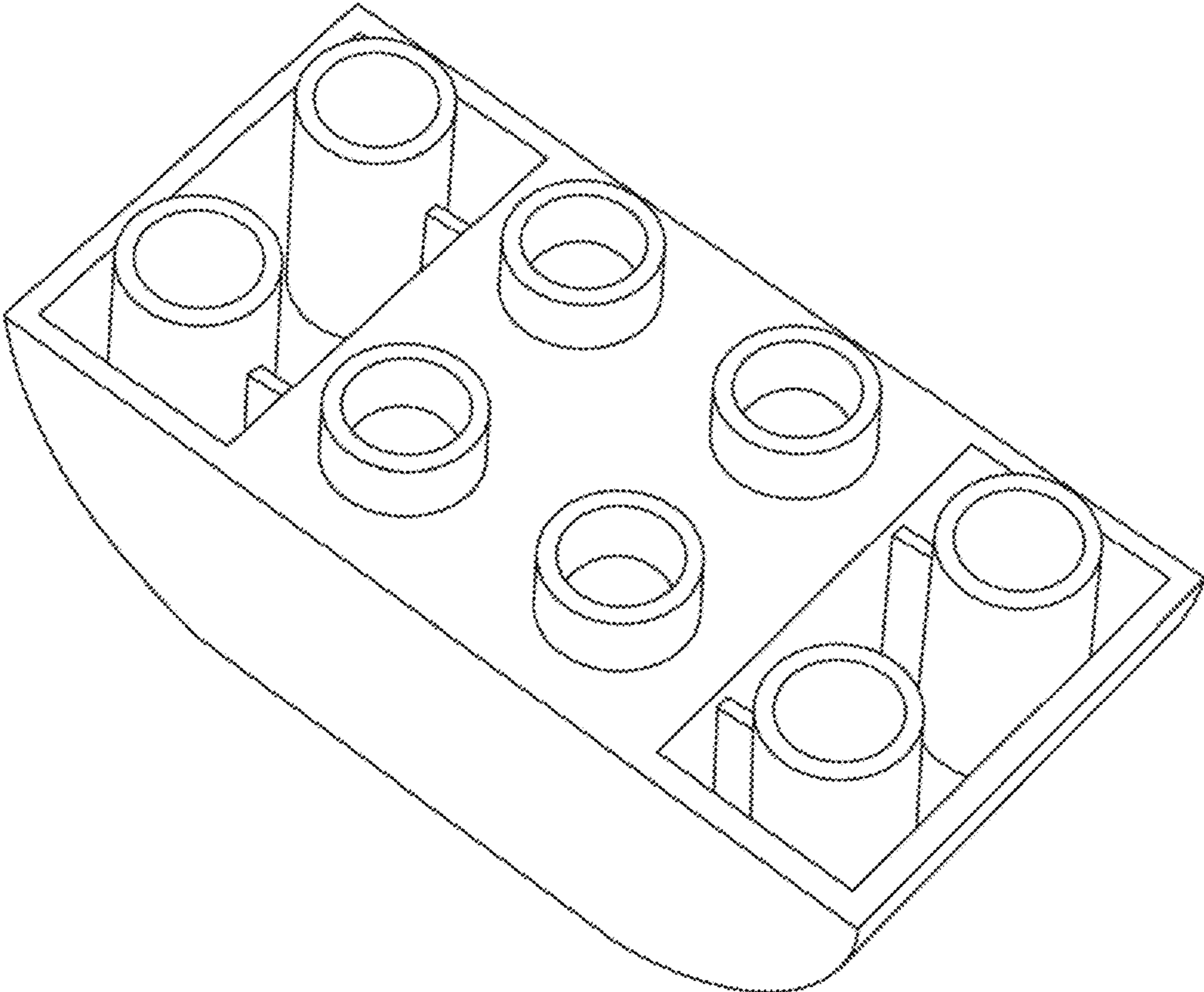


FIG. 1

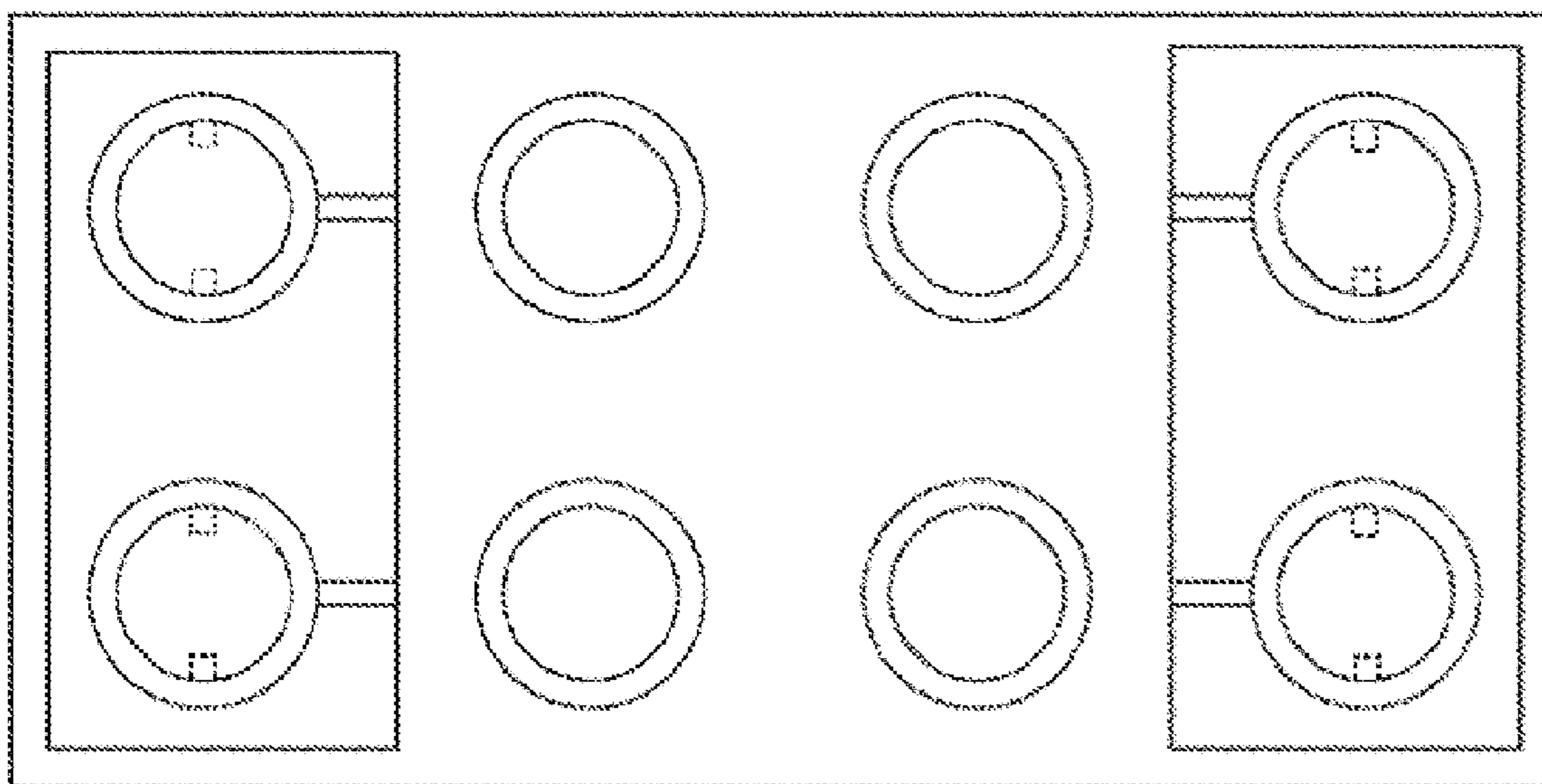


FIG. 2

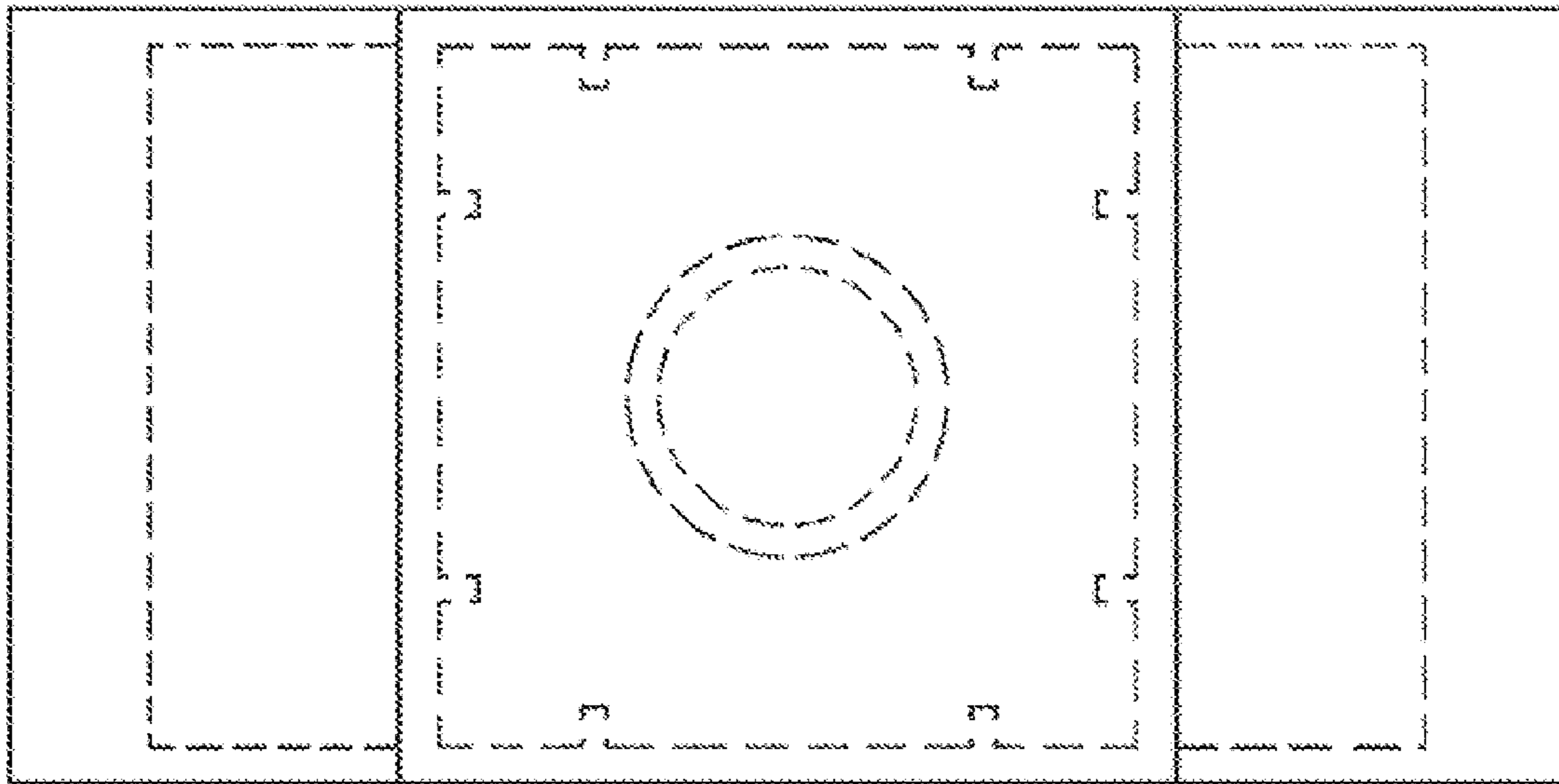


FIG. 3

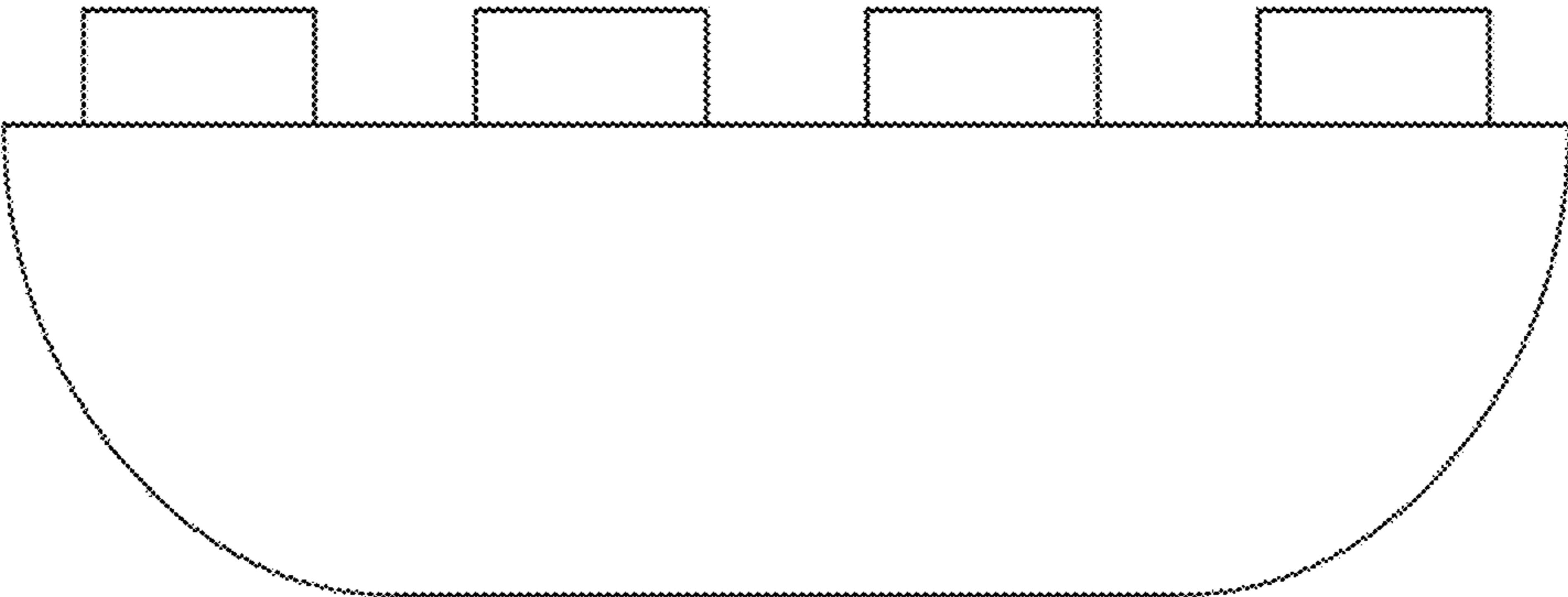


FIG. 4

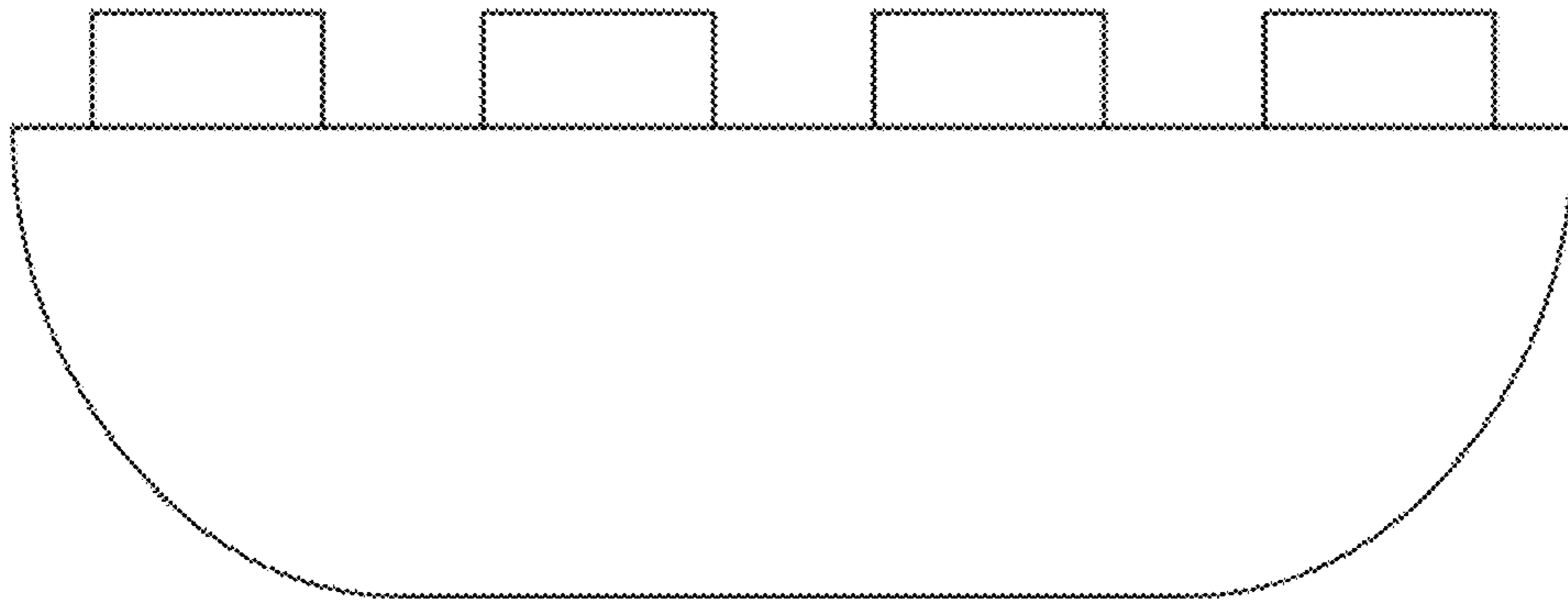


FIG. 5

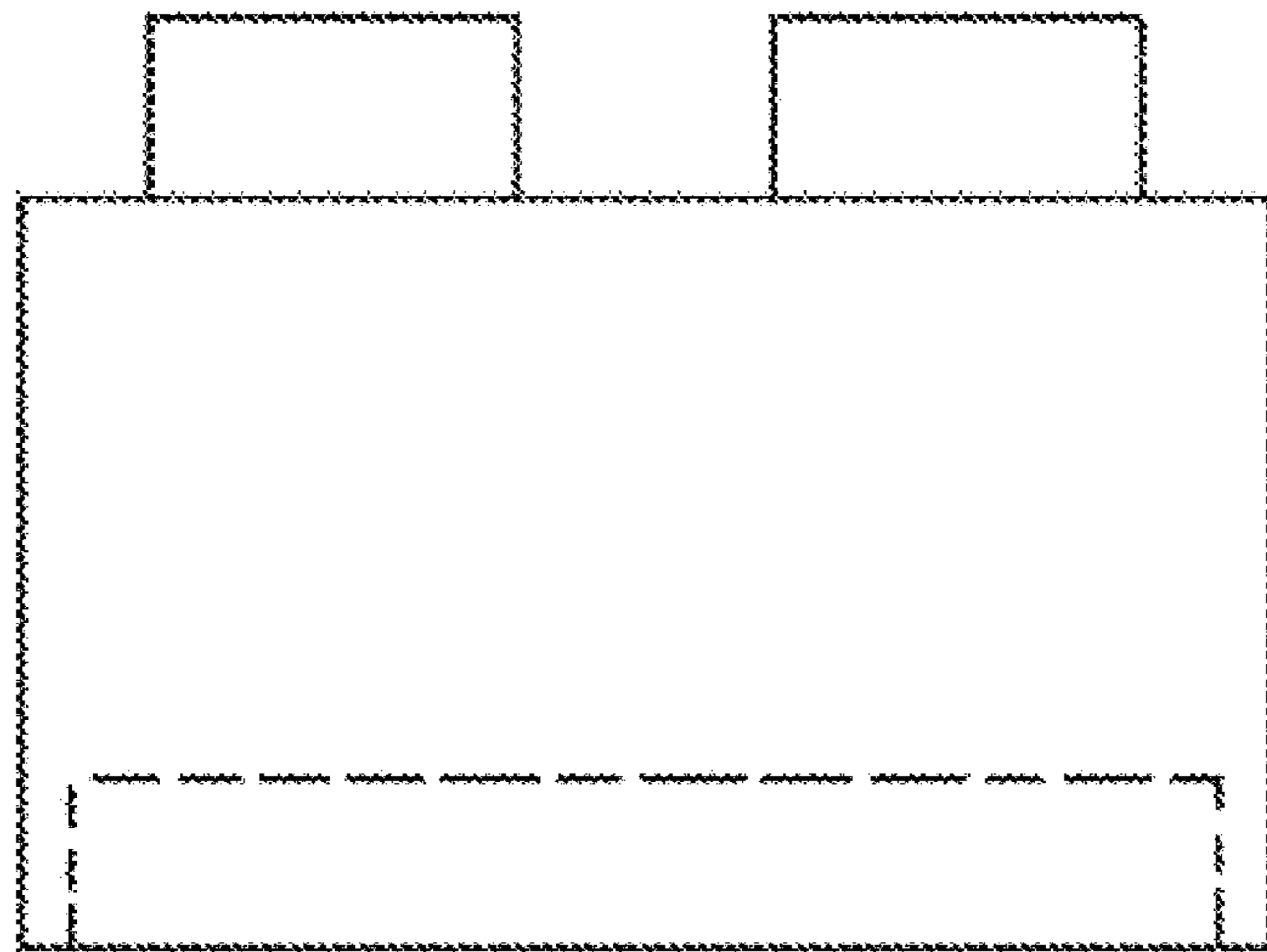


FIG. 6

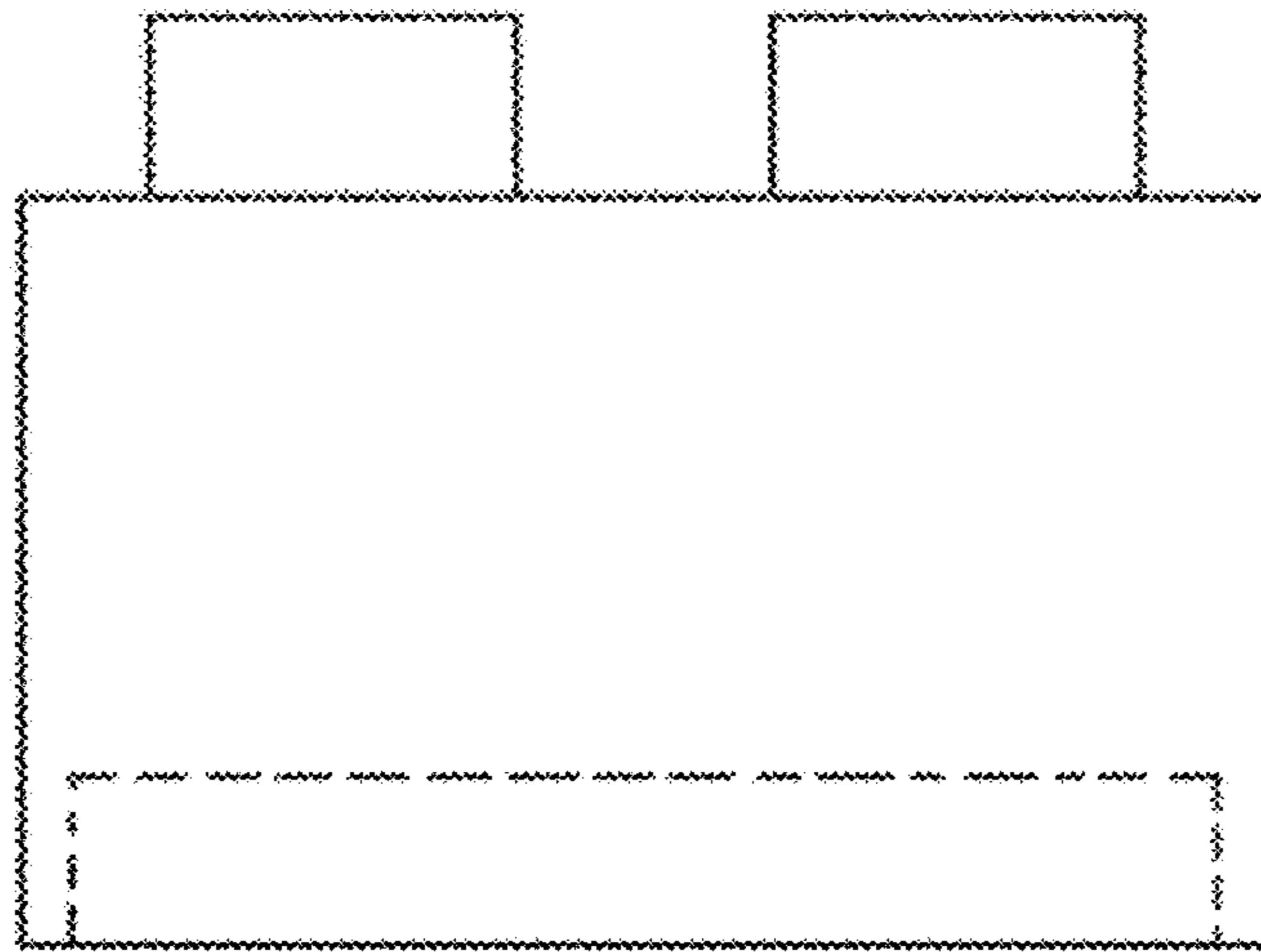


FIG. 7