



US00D689956S

(12) **United States Design Patent**
Chan

(10) **Patent No.:** **US D689,956 S**
(45) **Date of Patent:** **** Sep. 17, 2013**

(54) **TOY BUILDING BLOCK**

(75) Inventor: **Chi Hang Chan**, Kowloon (HK)

(73) Assignee: **Hobbyengine Model Ltd.**, Hong Kong (HK)

(**) Term: **14 Years**

(21) Appl. No.: **29/411,760**

(22) Filed: **Jan. 25, 2012**

(30) **Foreign Application Priority Data**

Dec. 23, 2011 (HK) 1102327

(51) **LOC (9) Cl.** **21-01**

(52) **U.S. Cl.**
USPC **D21/501; D21/502**

(58) **Field of Classification Search**
USPC D21/484, 485, 486, 489, 491, 494,
D21/495, 499, 500-504; 446/69, 85, 102-128;
434/208, 259, 403; 273/153, 156, 160;
428/174

See application file for complete search history.

(56) **References Cited**

U.S. PATENT DOCUMENTS

D213,709 S * 4/1969 Gala D21/504
D233,541 S * 11/1974 Christiansen D21/500

D317,474 S * 6/1991 Olsen D21/502
5,049,104 A * 9/1991 Olsen 446/104
D381,051 S * 7/1997 Zheng D21/502
D409,679 S * 5/1999 Jensen D21/501
D411,864 S * 7/1999 Krog D21/502
D437,011 S * 1/2001 Chang D21/501
D437,622 S * 2/2001 Chang D21/501
D442,647 S * 5/2001 Chang D21/501
D617,397 S * 6/2010 Thorogood D21/502

* cited by examiner

Primary Examiner — Cynthia M Chin

(74) *Attorney, Agent, or Firm* — Baker & McKenzie LLP

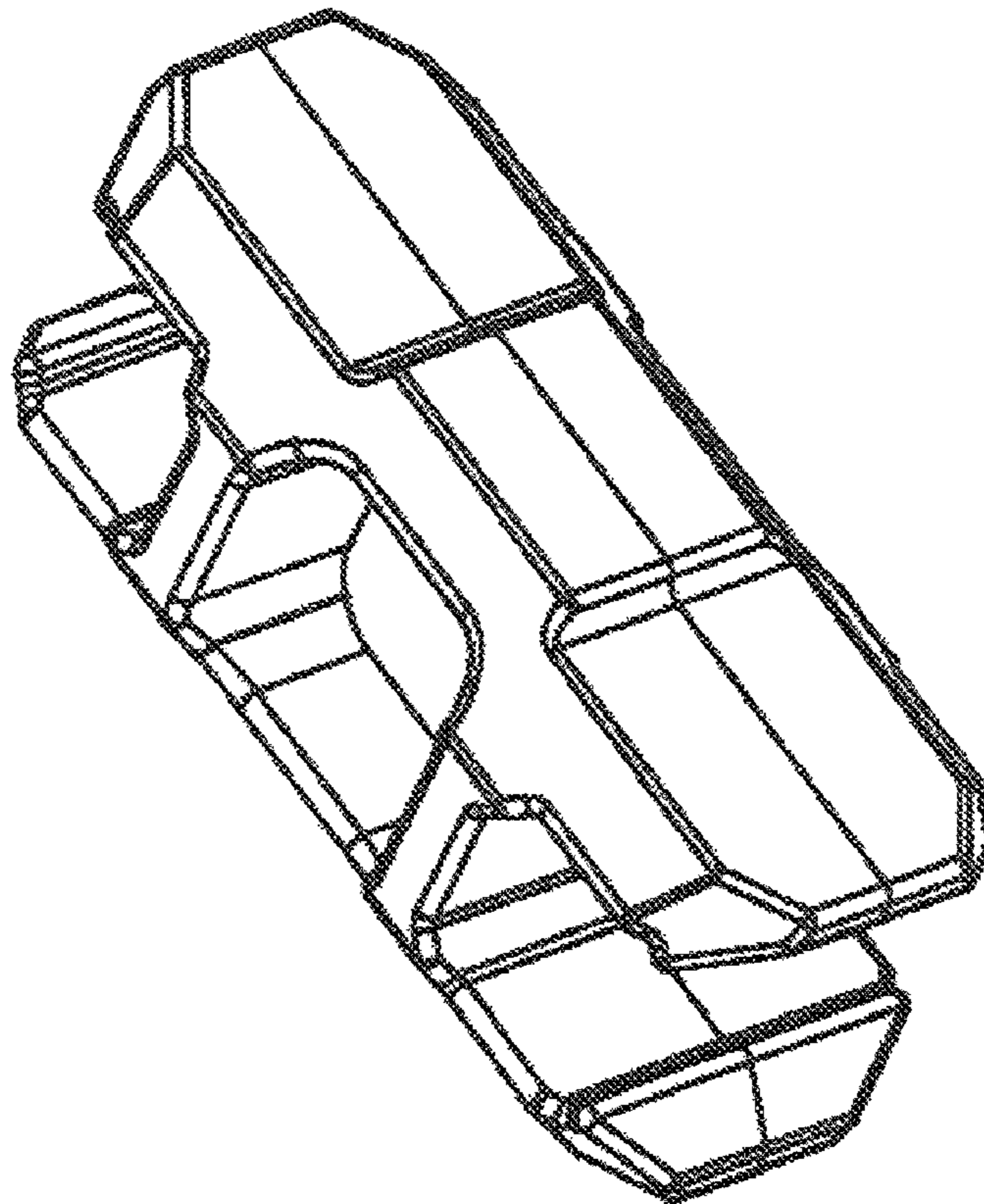
(57) **CLAIM**

The ornamental design for a toy building block, as shown and described.

DESCRIPTION

FIG. 1 is a perspective view of the toy building block in accordance with my design;
FIG. 2 is a front view of the toy building block shown in FIG. 1;
FIG. 3 is a top view of the toy building block shown in FIGS. 1-2;
FIG. 4 is a bottom view of the toy building block shown in FIGS. 1-3;
FIG. 5 is a right side view of the toy building block shown in FIGS. 1-4; and,
FIG. 6 is a left side view of the toy building block shown in FIGS. 1-5.

1 Claim, 6 Drawing Sheets



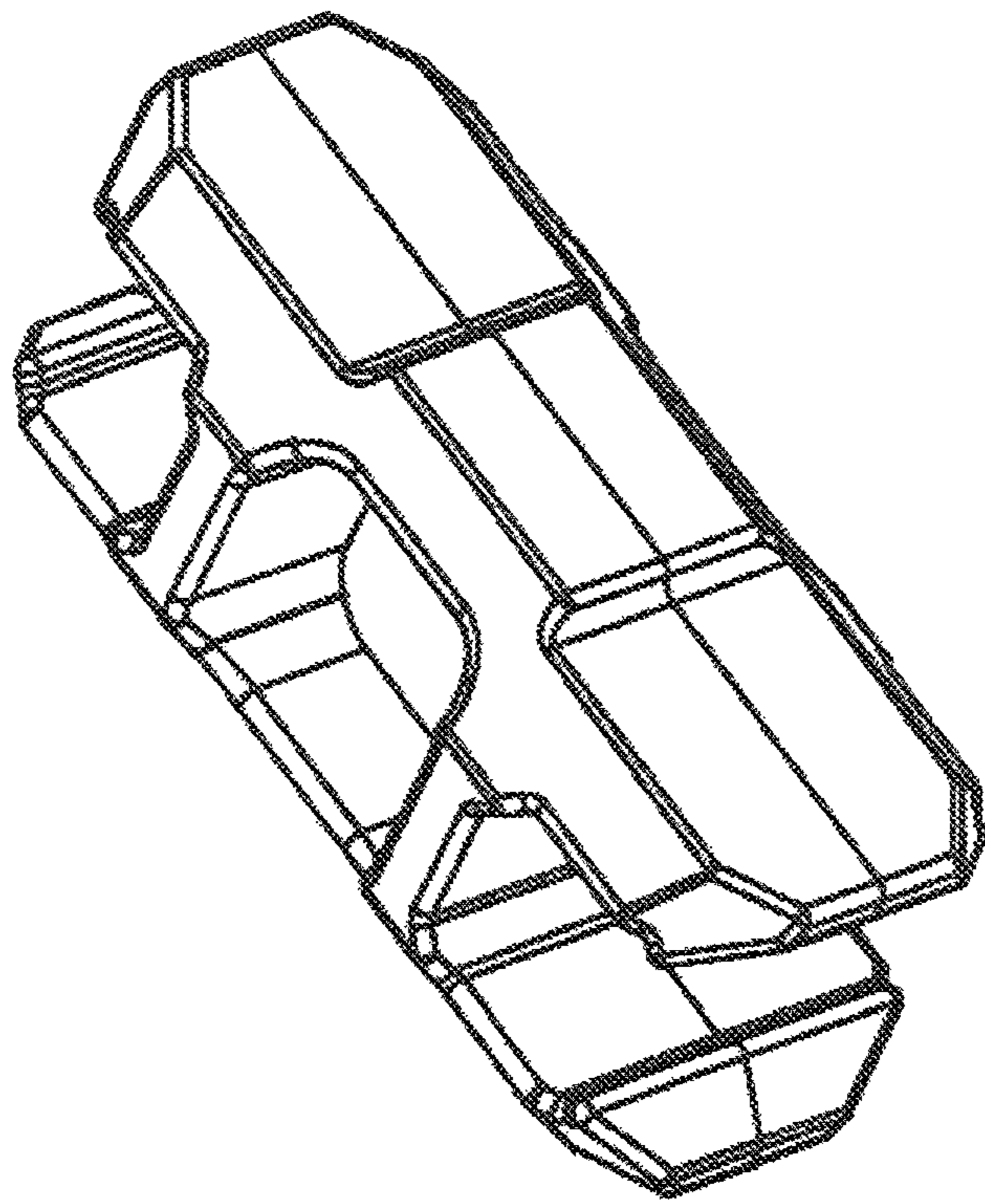


FIG. 1

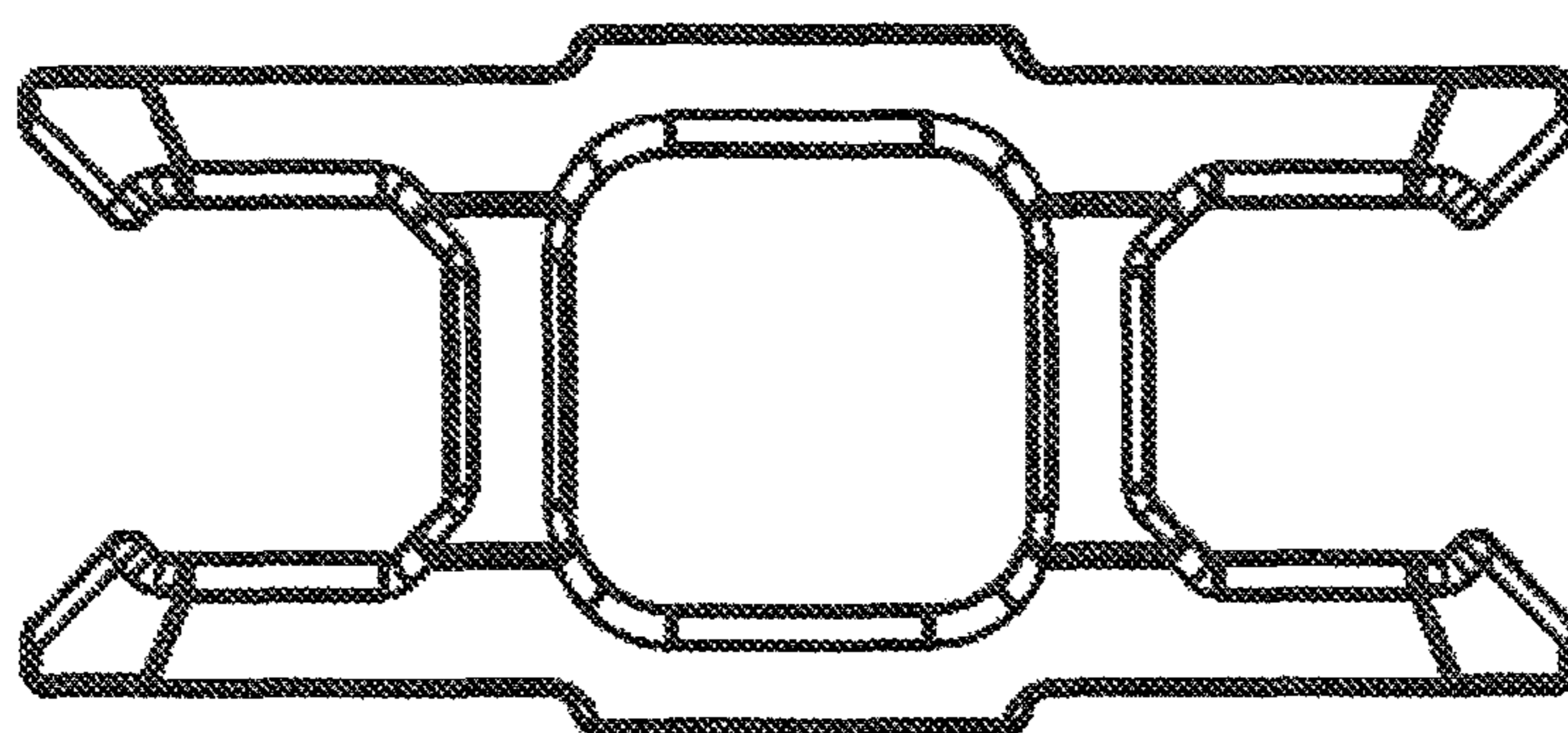


FIG. 2

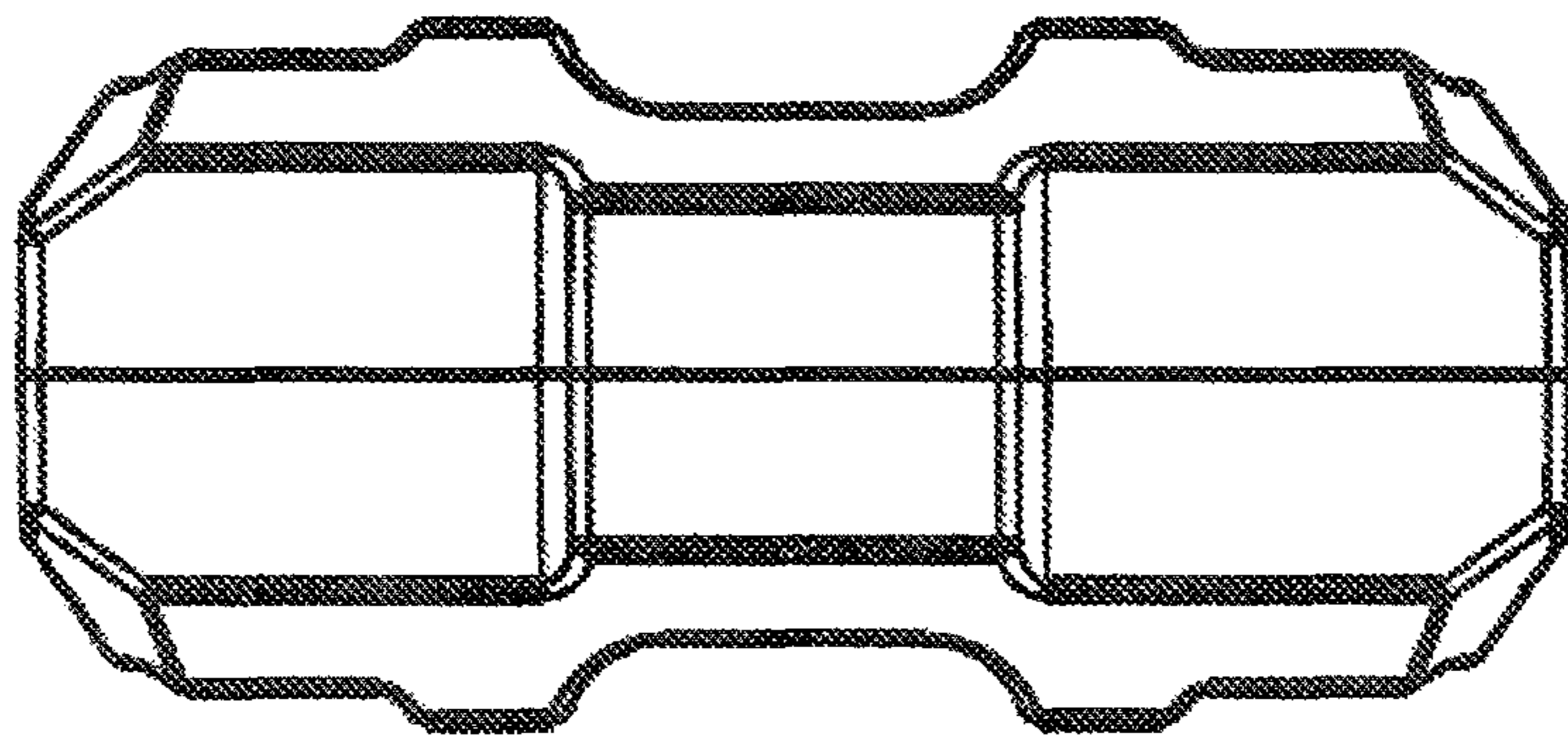


FIG. 3

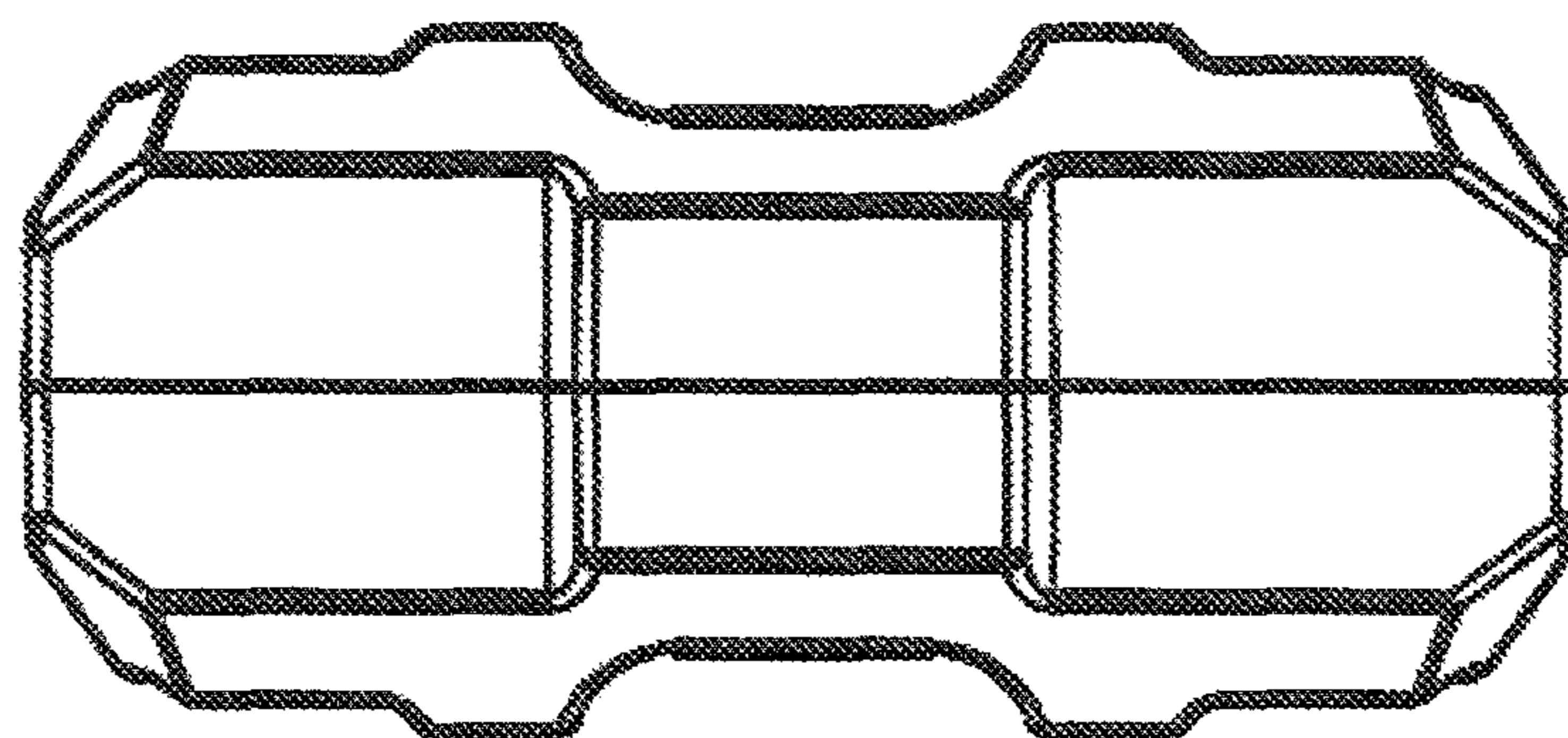


FIG. 4

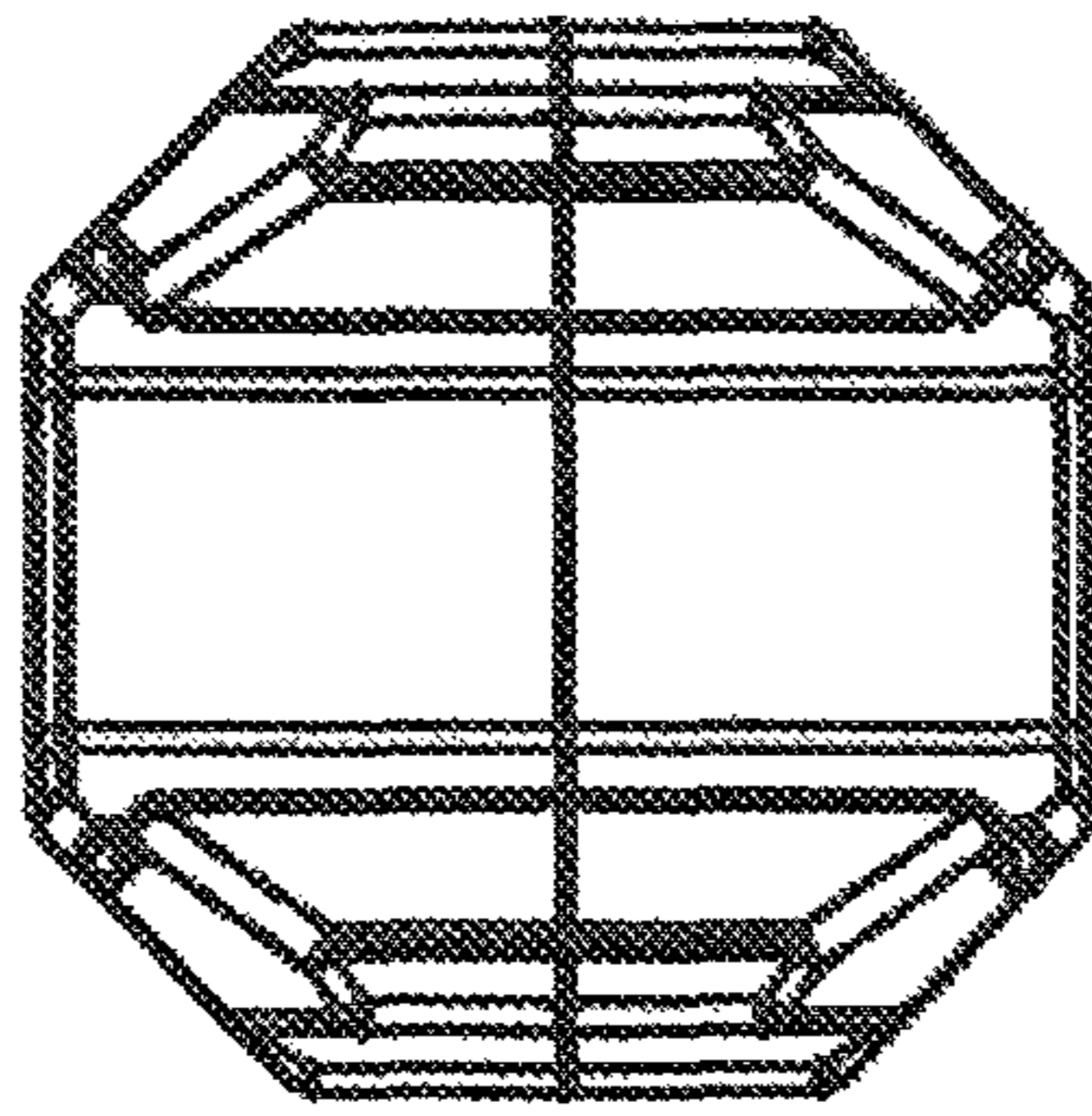


FIG. 5

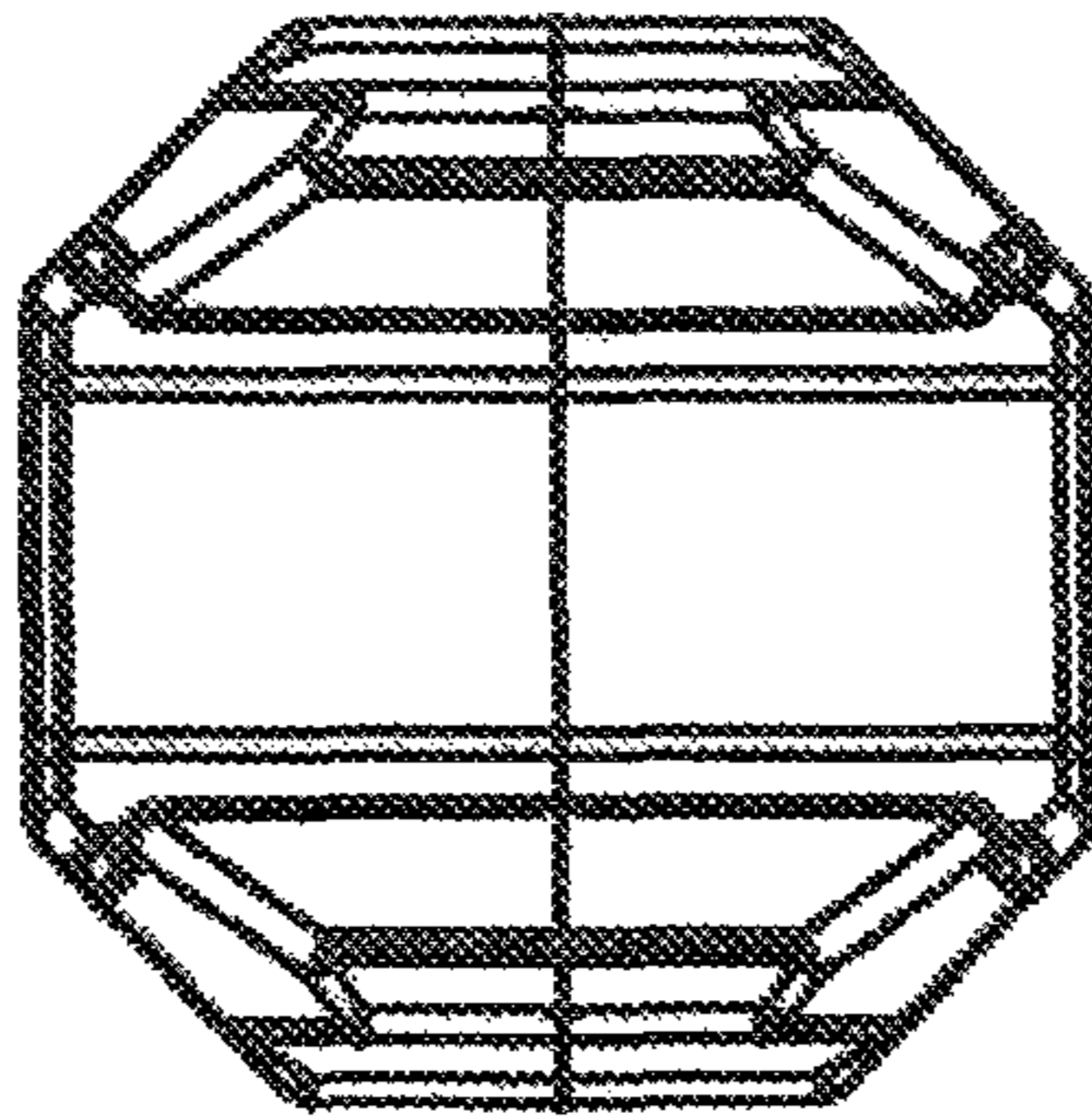


FIG. 6