



US00D689955S

(12) **United States Design Patent**
Jensen

(10) **Patent No.:** **US D689,955 S**
(45) **Date of Patent:** **** Sep. 17, 2013**

(54) **BUILDING BLOCK FROM A TOY BUILDING SET**

(75) Inventor: **Kurt Jensen, Vejle (DK)**

(73) Assignee: **Lego A/S, Billund (DK)**

(**) Term: **14 Years**

(21) Appl. No.: **29/410,275**

(22) Filed: **Jan. 6, 2012**

(30) **Foreign Application Priority Data**

Jul. 11, 2011 (EM) 001284608

(51) **LOC (9) Cl.** **21-01**

(52) **U.S. Cl.**
USPC **D21/488**

(58) **Field of Classification Search**
USPC D21/484-505; D25/113-118; 273/153,
273/156; 446/69, 85, 102-128
See application file for complete search history.

(56) **References Cited**

U.S. PATENT DOCUMENTS

3,236,004	A *	2/1966	Christiansen	446/102
3,624,955	A *	12/1971	Matsubayshi et al.	446/117
D311,936	S *	11/1990	Andersen	D21/488
D351,000	S *	9/1994	Kohler	D21/488
D373,152	S *	8/1996	Thomasen	D21/488
D373,605	S *	9/1996	Skov et al.	D21/488

FOREIGN PATENT DOCUMENTS

JP 951851 S 4/1996

OTHER PUBLICATIONS

Russian associate's letter dated Jun. 28, 2012 (in the English language), reporting receipt of the endorsed Official Decision of Grant (in the Russian language), in co-pending application number RU 2012500030, issued by the Patent Office of the Russian Federation on Jun. 8, 2012.

* cited by examiner

Primary Examiner — Cynthia M Chin

(74) *Attorney, Agent, or Firm* — Day Pitney LLP

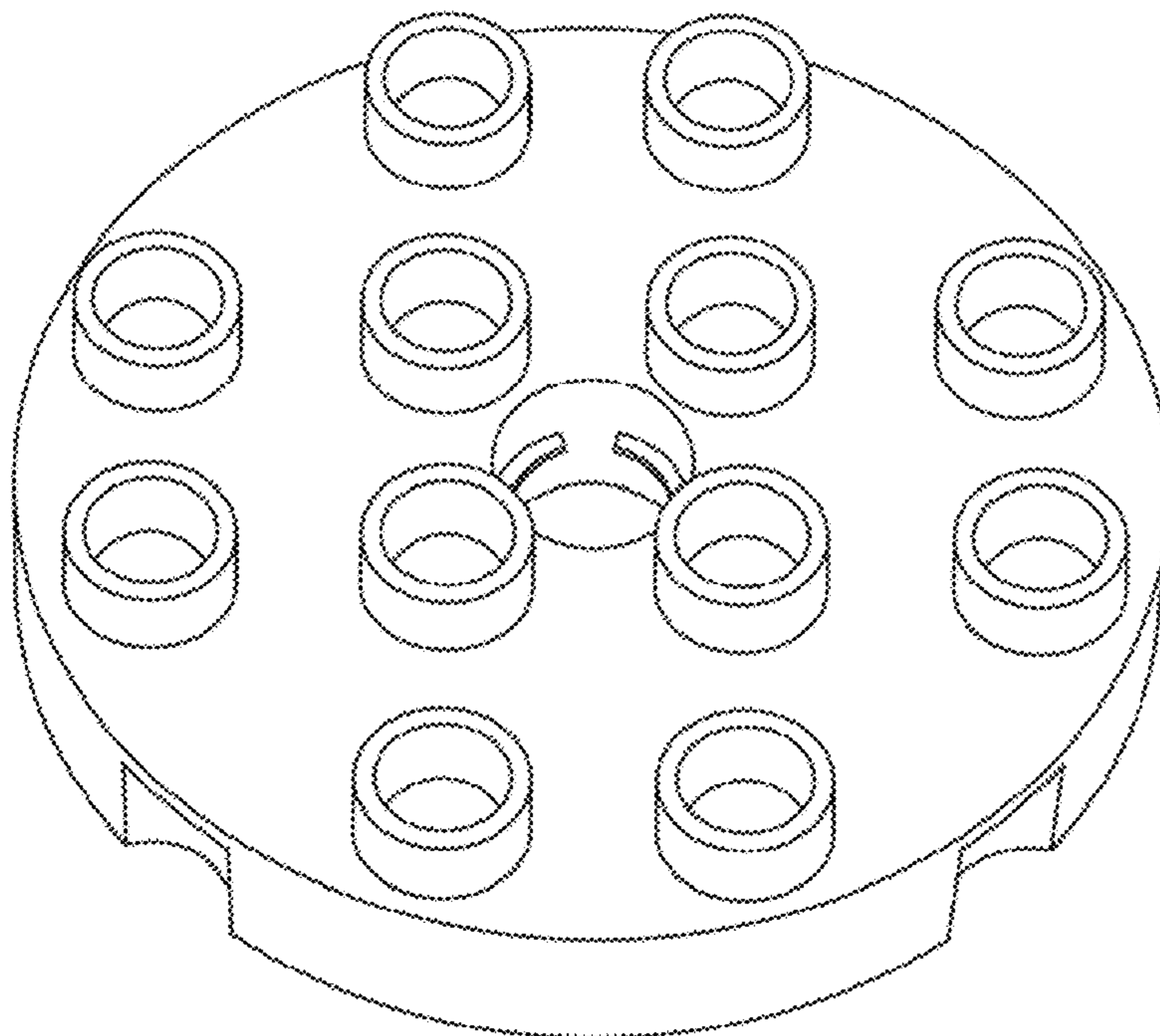
(57) **CLAIM**

The ornamental design for a building block from a toy building set, as shown and described.

DESCRIPTION

FIG. 1 is a top perspective view of my ornamental design for a building block from a toy building set; FIG. 2 is a top plan view thereof; FIG. 3 is a bottom plan view thereof; FIG. 4 is a front view thereof; FIG. 5 is a rear view thereof; FIG. 6 is a right side view thereof; and, FIG. 7 is a left side view thereof. The broken lines in each of the figures are for environmental purposes only and form no part of the claimed design.

1 Claim, 7 Drawing Sheets



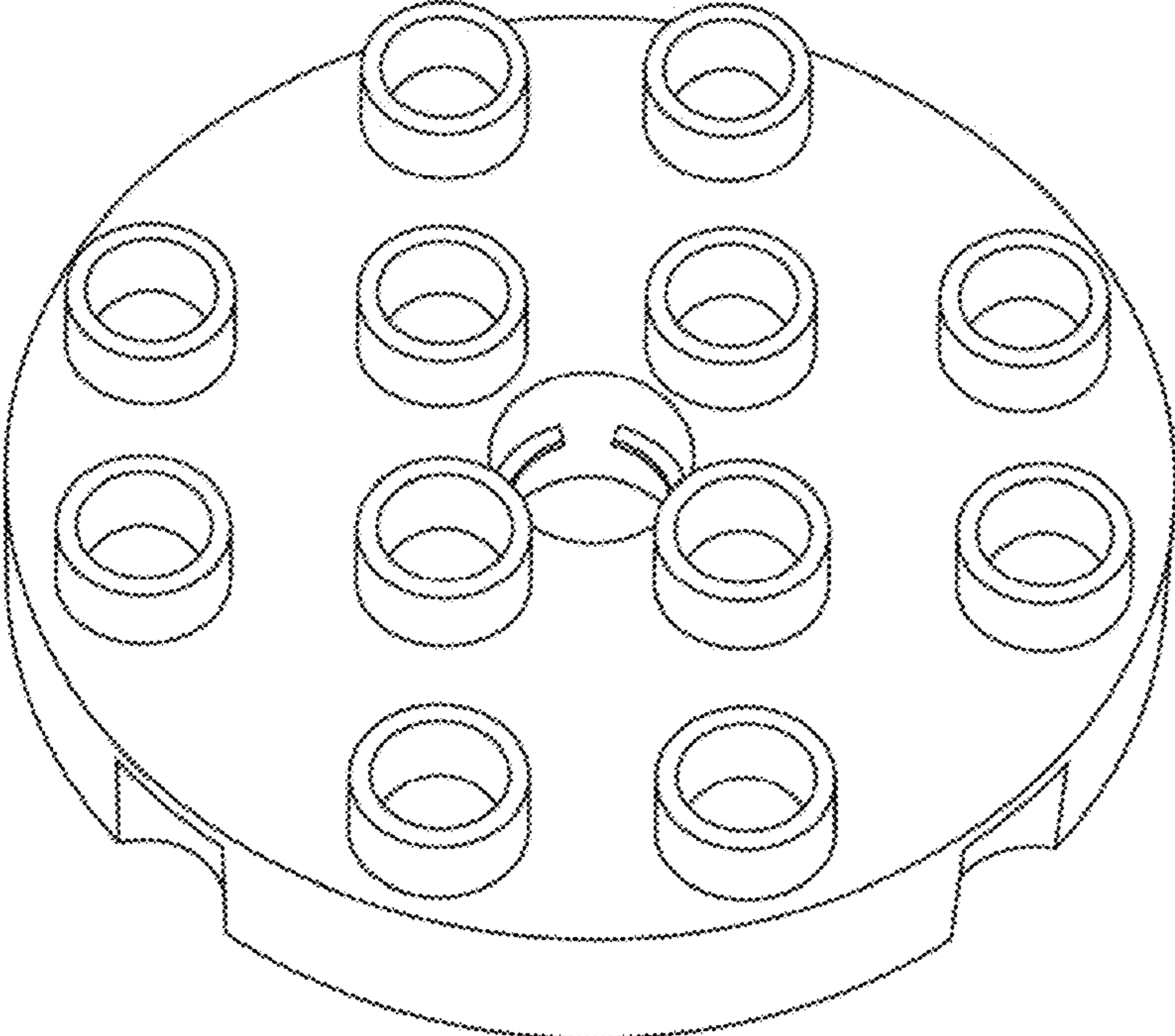


FIG. 1

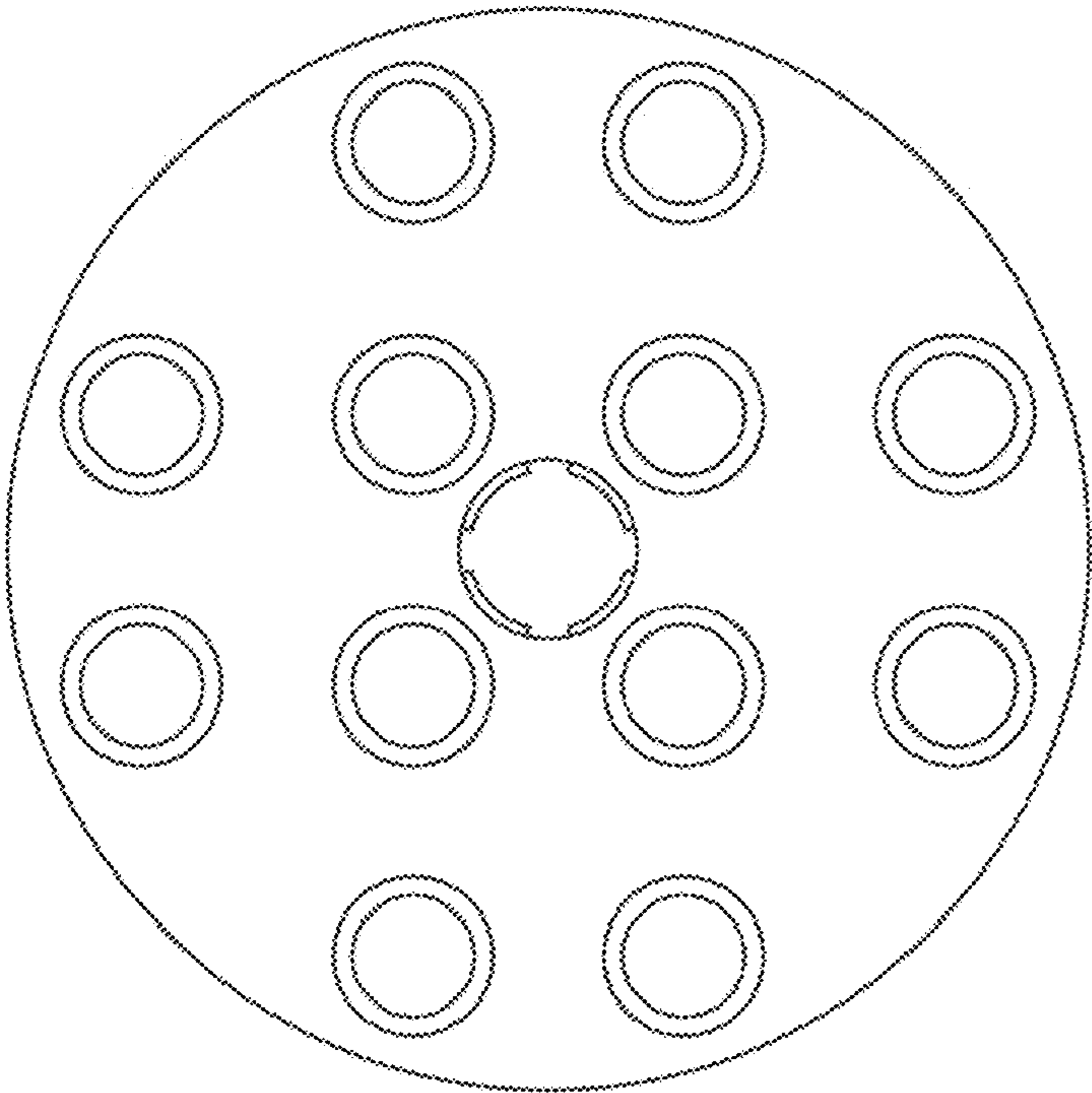


FIG. 2

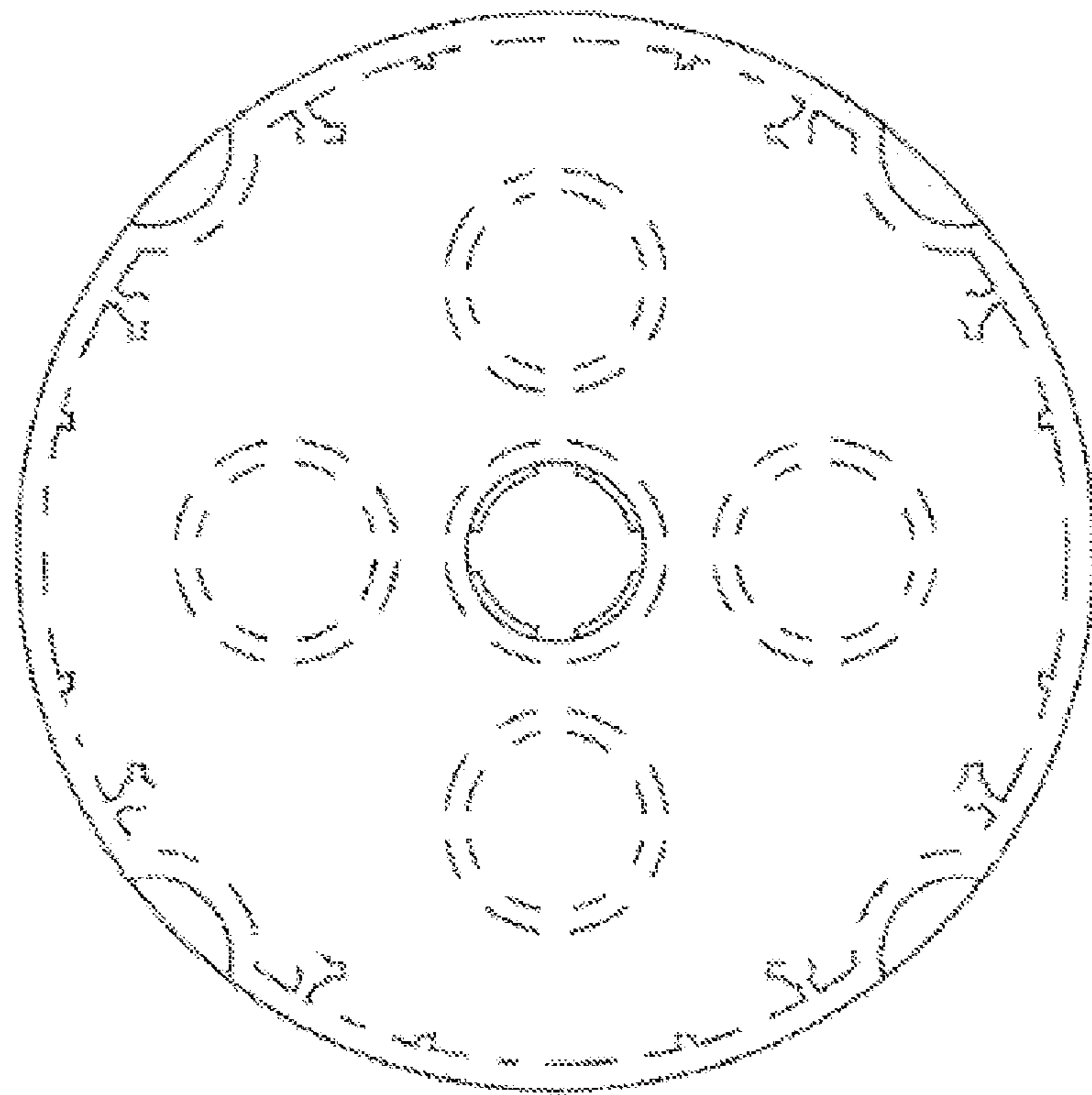


FIG. 3

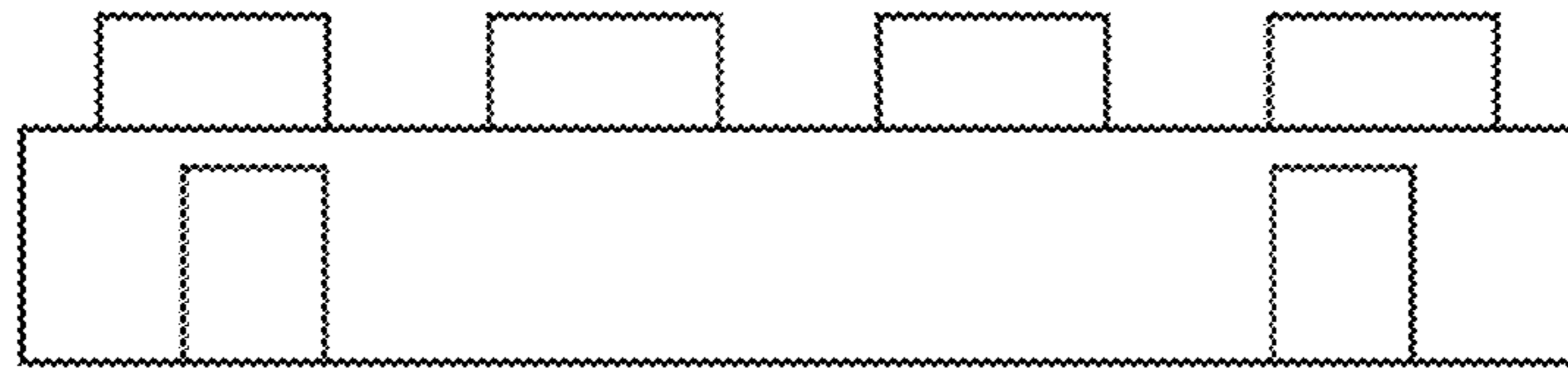


FIG. 4

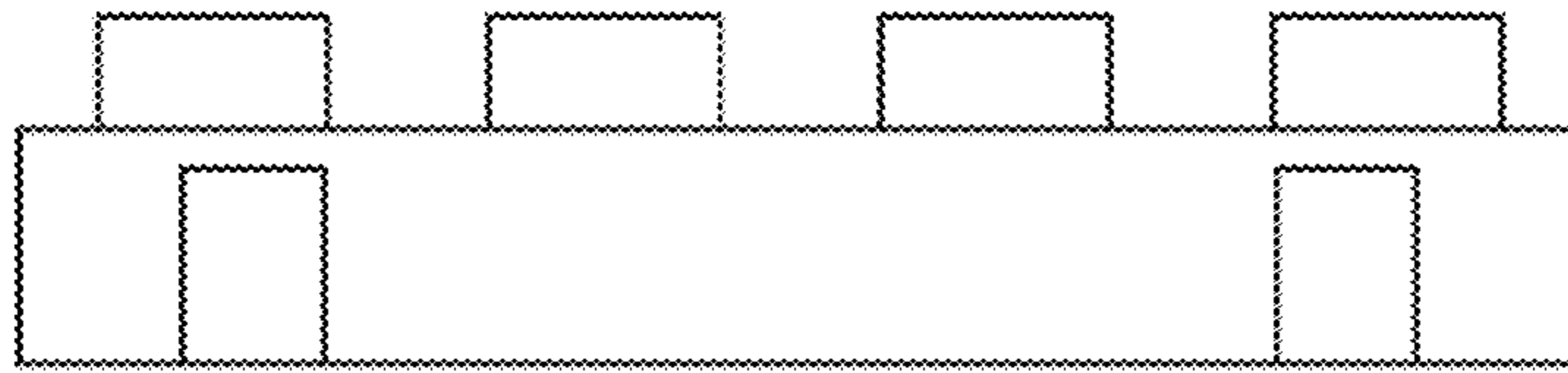


FIG. 5

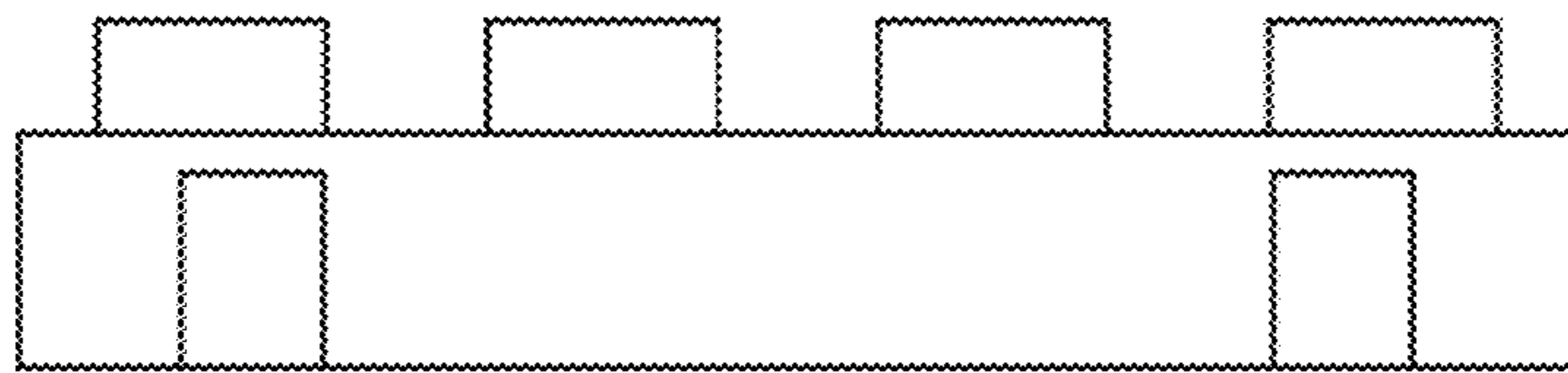


FIG. 6

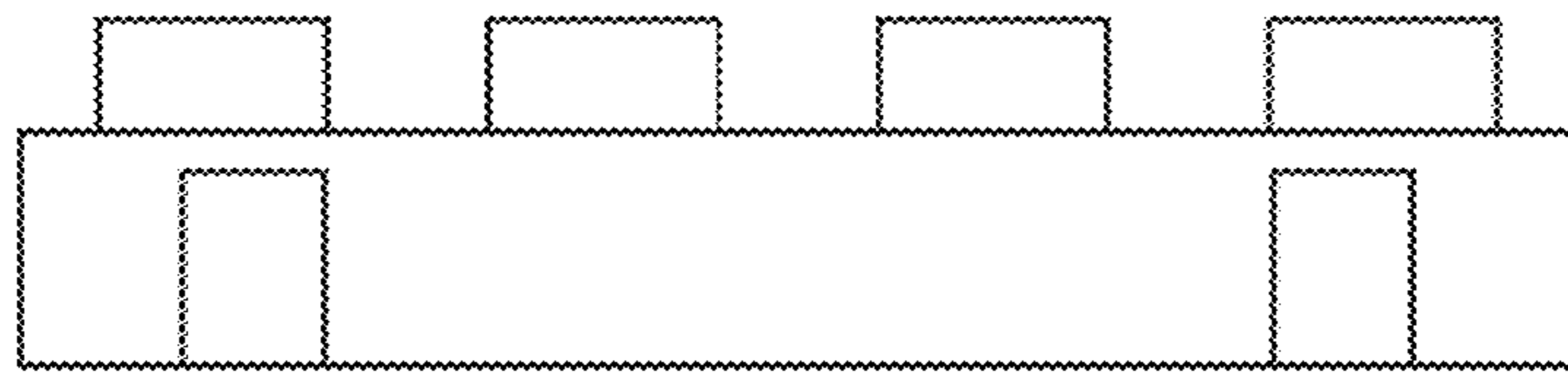


FIG. 7