



US00D689950S

(12) **United States Design Patent**
Wojdyla-Gray et al.

(10) **Patent No.:** **US D689,950 S**

(45) **Date of Patent:** **** Sep. 17, 2013**

(54) **GAME**

(75) Inventors: **Kelly Ann Wojdyla-Gray**, Sterling Heights, MI (US); **Scott Burns**, St. Louis, MO (US)

(73) Assignee: **International IP Holdings LLC**, Farmington Hills, MI (US)

(**) Term: **14 Years**

(21) Appl. No.: **29/426,384**

(22) Filed: **Jul. 5, 2012**

(51) **LOC (9) Cl.** **21-01**

(52) **U.S. Cl.**
USPC **D21/310**

(58) **Field of Classification Search**
USPC D21/300, 310, 302, 312, 322, 334;
273/127 R, 407, 265, 287, 138.5, 447, 459,
273/385, 242-244
See application file for complete search history.

(56) **References Cited**

U.S. PATENT DOCUMENTS

2,100,421 A * 11/1937 Wupper 273/265
D154,409 S * 7/1949 Shefras D21/310

D220,504 S * 4/1971 Gay D21/310
3,638,945 A * 2/1972 Breslow 273/412
D223,377 S * 4/1972 Barlow D21/310
3,781,014 A * 12/1973 Kolwicz 273/260
4,022,473 A * 5/1977 Foley 273/265
D259,498 S 6/1981 Kroll
D271,116 S * 10/1983 Burke D21/310
D273,598 S * 4/1984 Fowle D21/310
4,976,440 A * 12/1990 Faith 273/362
D363,106 S * 10/1995 Faith D21/310
D400,591 S * 11/1998 Weatherby D20/7
5,845,903 A 12/1998 Sloan
2002/0180145 A1 12/2002 Krise et al.

* cited by examiner

Primary Examiner — Prabhakar Deshmukh

(74) *Attorney, Agent, or Firm* — Oakland Law Group PLLC

(57) **CLAIM**

The ornamental design for a game, as shown.

DESCRIPTION

FIG. 1 is a perspective front view of a game showing my new design;

FIG. 2 is a front view thereof;

FIG. 3 is a rear view thereof;

FIG. 4 is a right side view thereof; and,

FIG. 5 is a left side view thereof.

1 Claim, 5 Drawing Sheets

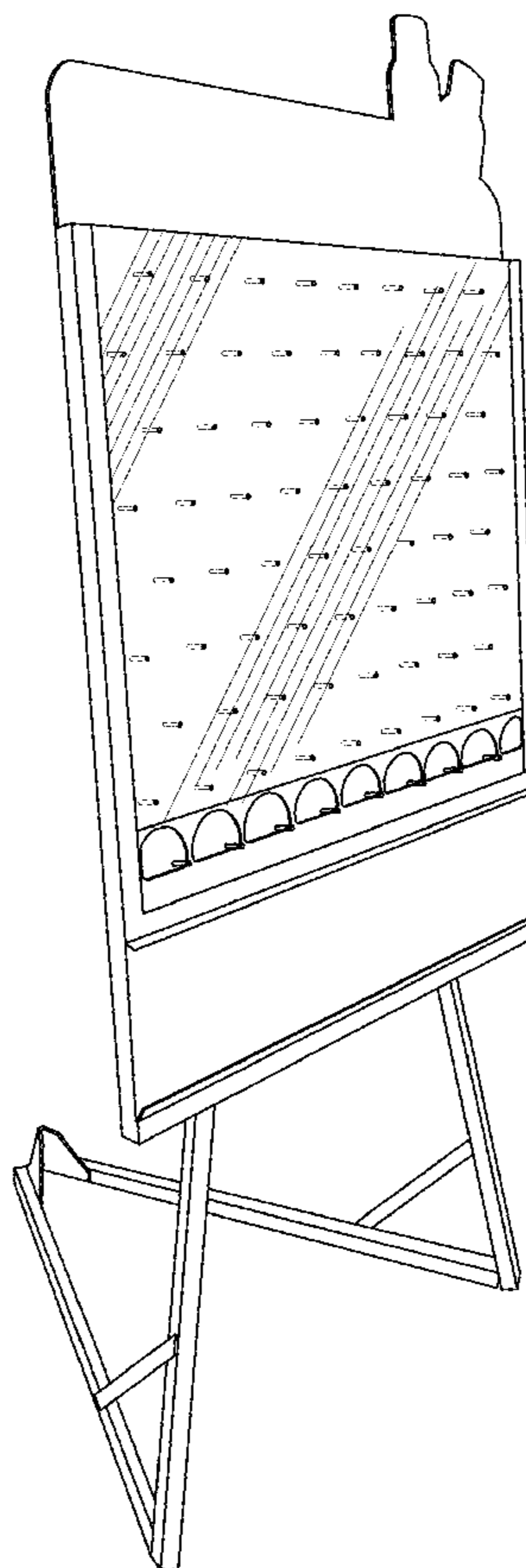
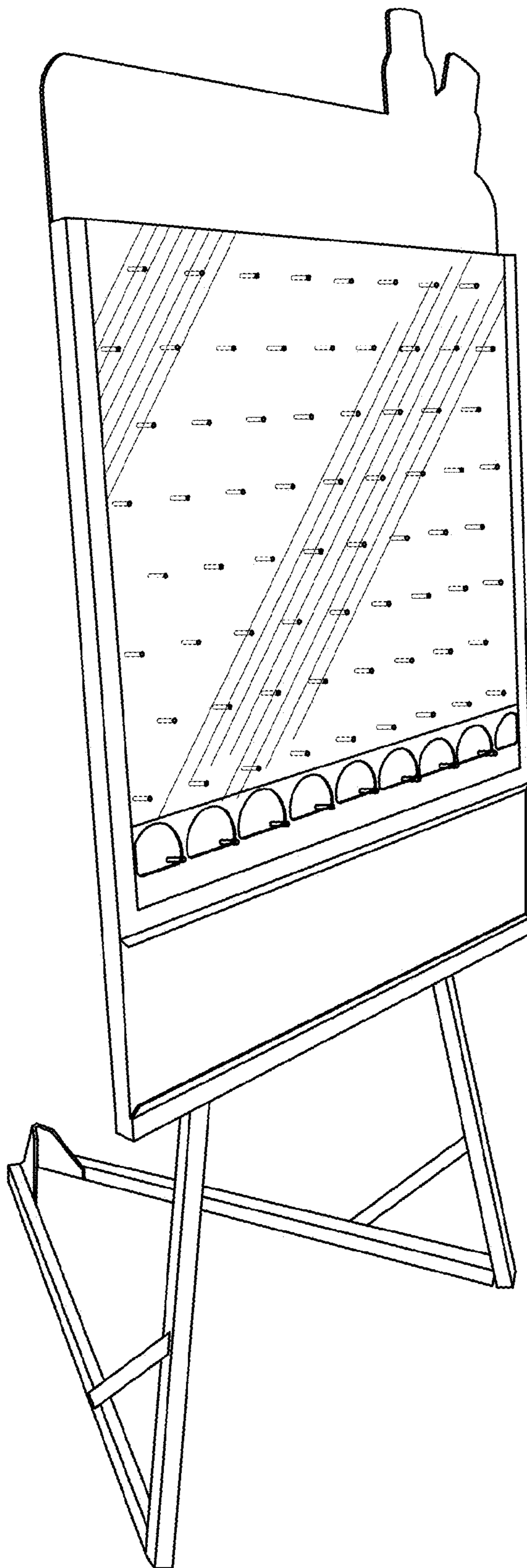


FIG - 1



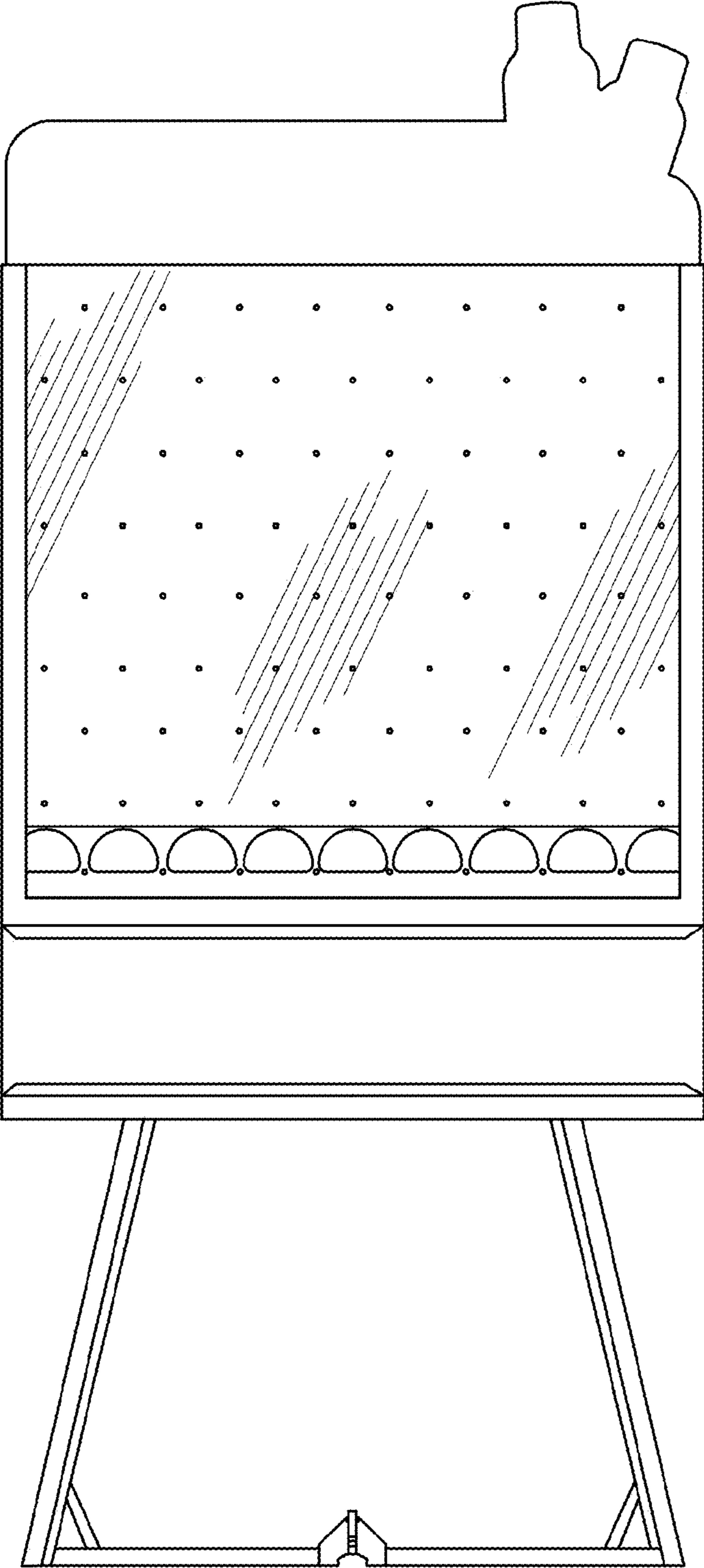


FIG - 2

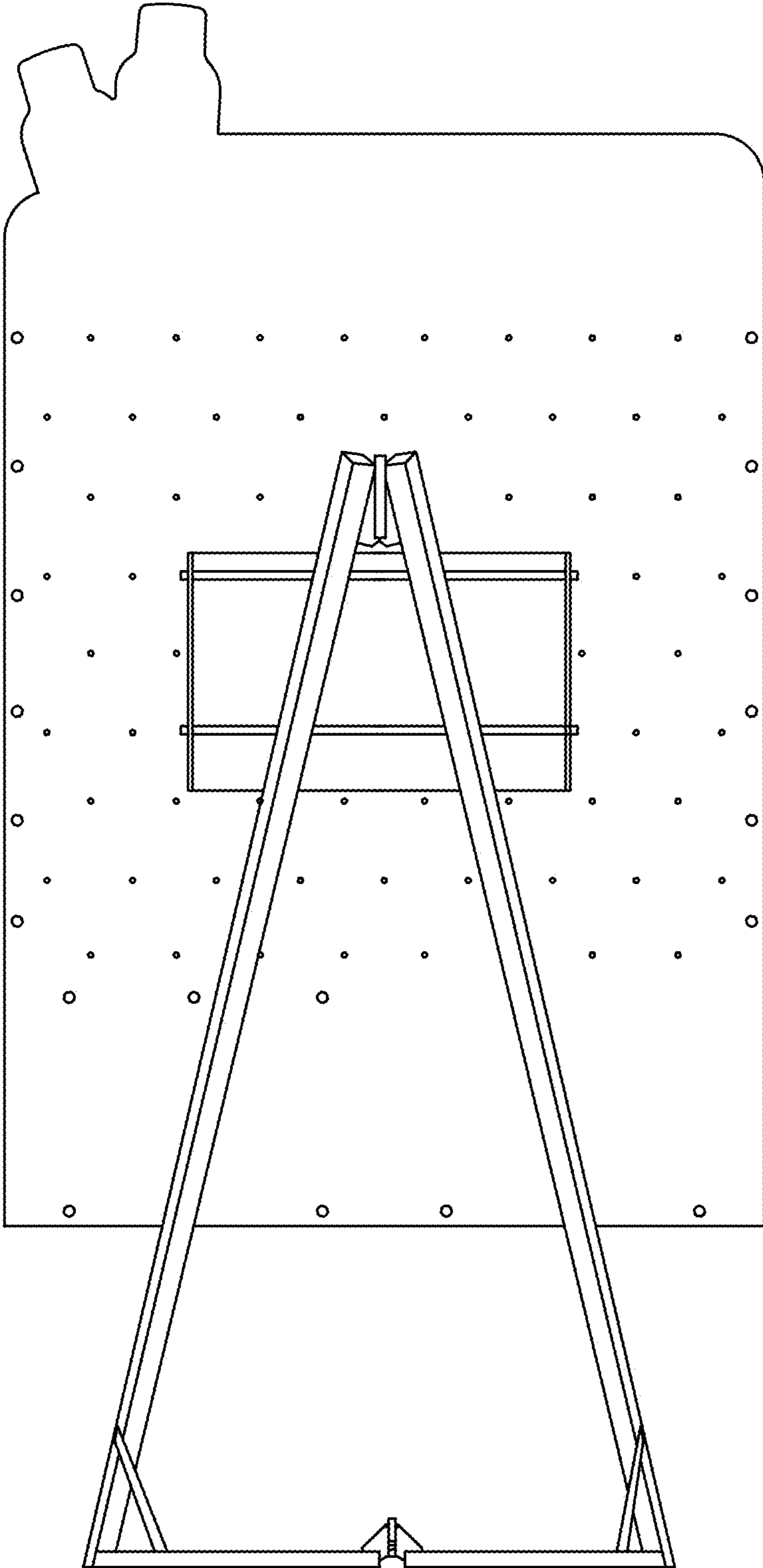


FIG - 3

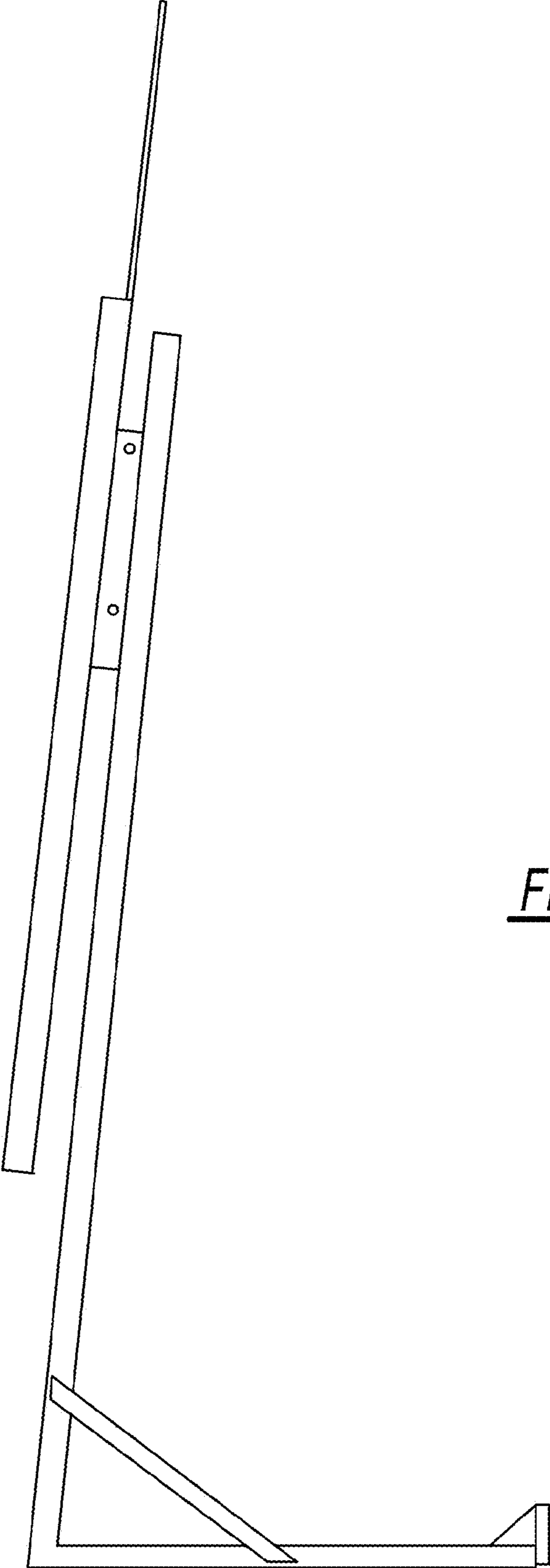


FIG - 4

FIG - 5

