



US00D689949S

(12) **United States Design Patent**
Valls et al.

(10) **Patent No.:** **US D689,949 S**
(45) **Date of Patent:** **** Sep. 17, 2013**

- (54) **SIGN CLIP FOR A TRAY**
- (71) Applicant: **IFCO Systems N.A., Inc.**, Houston, TX (US)
- (72) Inventors: **William H. Valls**, Loveland, OH (US);
Zachariah S. Simmering, Mansfield, OH (US)
- (73) Assignee: **IFCO Systems US, LLC**, Tampa, FL (US)
- (**) Term: **14 Years**

D322,634	S	*	12/1991	Callas	D20/44
5,572,822	A		11/1996	Lynch et al.		
D432,404	S	*	10/2000	Garfinkle	D8/395
D447,518	S	*	9/2001	Lau	D20/43
6,293,405	B1		9/2001	Burch, Jr.		
D454,593	S	*	3/2002	Kosir	D20/44
D454,918	S	*	3/2002	Wamsley et al.	D20/43
D487,290	S	*	3/2004	Kosir	D20/42
7,131,224	B1		11/2006	Elliott et al.		
7,219,458	B2	*	5/2007	Burlando	40/607.12
D590,892	S	*	4/2009	Healy et al.	D20/43
7,665,617	B2		2/2010	Shea		
7,874,088	B2		1/2011	Nikols		
D669,135	S	*	10/2012	Garfinkle	D20/43
2006/0059756	A1		3/2006	Wells		

- (21) Appl. No.: **29/435,624**
- (22) Filed: **Oct. 25, 2012**
- (51) **LOC (9) Cl.** **20-03**
- (52) **U.S. Cl.**
USPC **D20/43**
- (58) **Field of Classification Search**
USPC D20/10, 19, 21, 42-44, 99; 40/642.01,
40/642.02, 649-651, 658, 661, 661.03; D8/395;
D25/119-123
See application file for complete search history.

* cited by examiner

Primary Examiner — Mary Ann Calabrese
(74) *Attorney, Agent, or Firm* — David I. Roche; Baker & McKenzie LLP

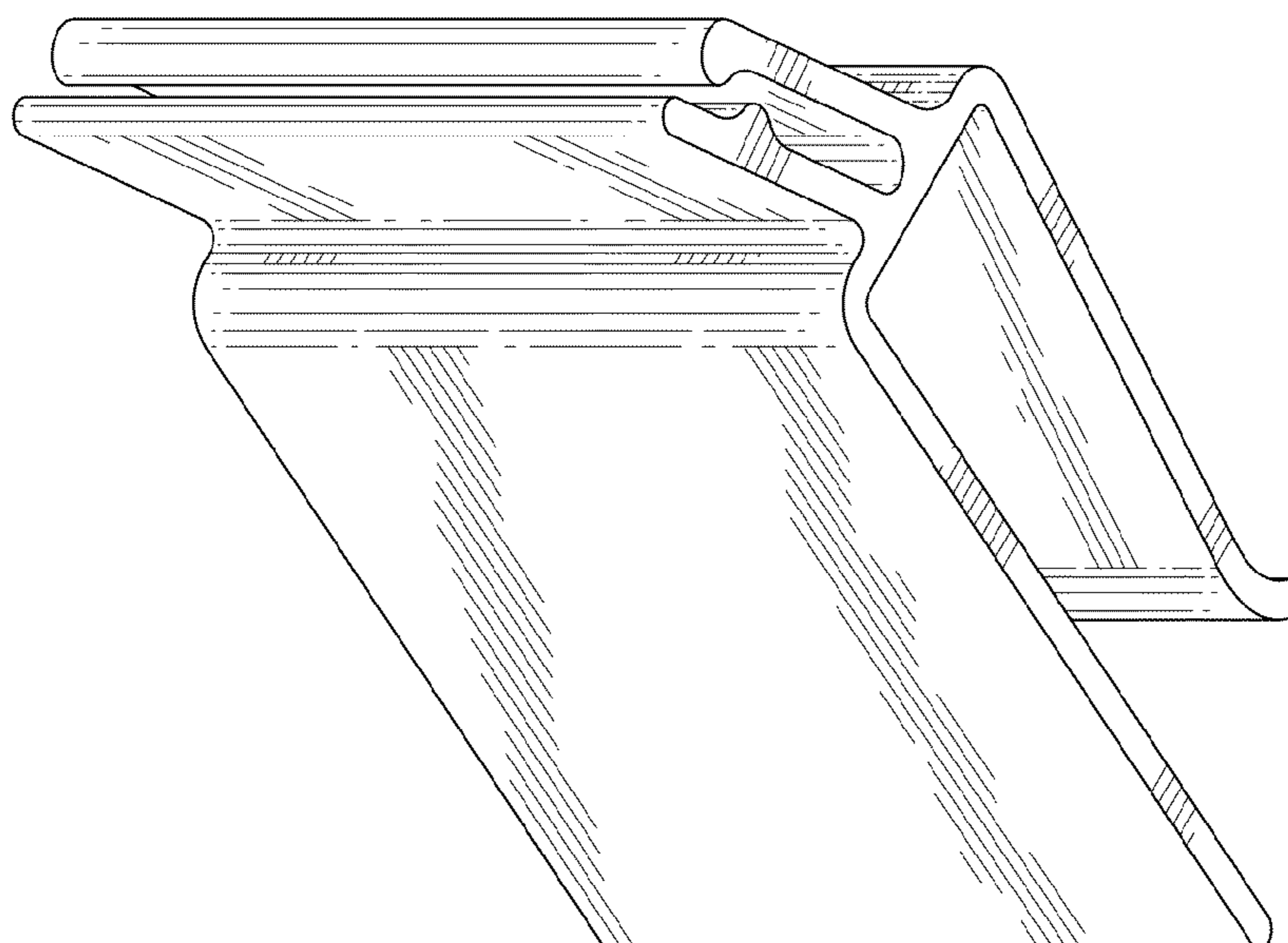
(57) **CLAIM**
The ornamental design for a sign clip for a tray, as shown and described.

DESCRIPTION

FIG. 1 is a first perspective view showing my new design; FIG. 2 is a top elevational view thereof; FIG. 3 is a bottom elevational view thereof; FIG. 4 is a front elevational view thereof; FIG. 5 is a back elevational view thereof; FIG. 6 is a right elevational view thereof; FIG. 7 is a left elevational view thereof; and, FIG. 8 is a second perspective view showing my new design in its intended use. The broken lines are for illustrative purposes and form no part of the claimed design.

1 Claim, 6 Drawing Sheets

- (56) **References Cited**
U.S. PATENT DOCUMENTS
- | | | | |
|-----------|---|---------|--------------|
| 1,285,890 | A | 11/1918 | Anderson |
| 2,040,750 | A | 5/1936 | Long |
| 2,779,114 | A | 1/1957 | Orthwine |
| 3,955,296 | A | 5/1976 | Kapstad |
| 4,044,485 | A | 8/1977 | Hopp |
| 4,372,066 | A | 2/1983 | Slavsky, Sr. |
| 4,406,074 | A | 9/1983 | Gallimore |
| 4,775,058 | A | 10/1988 | Yatsko |
| 4,882,862 | A | 11/1989 | Slavsky, Sr. |
| 5,018,287 | A | 5/1991 | Fast |



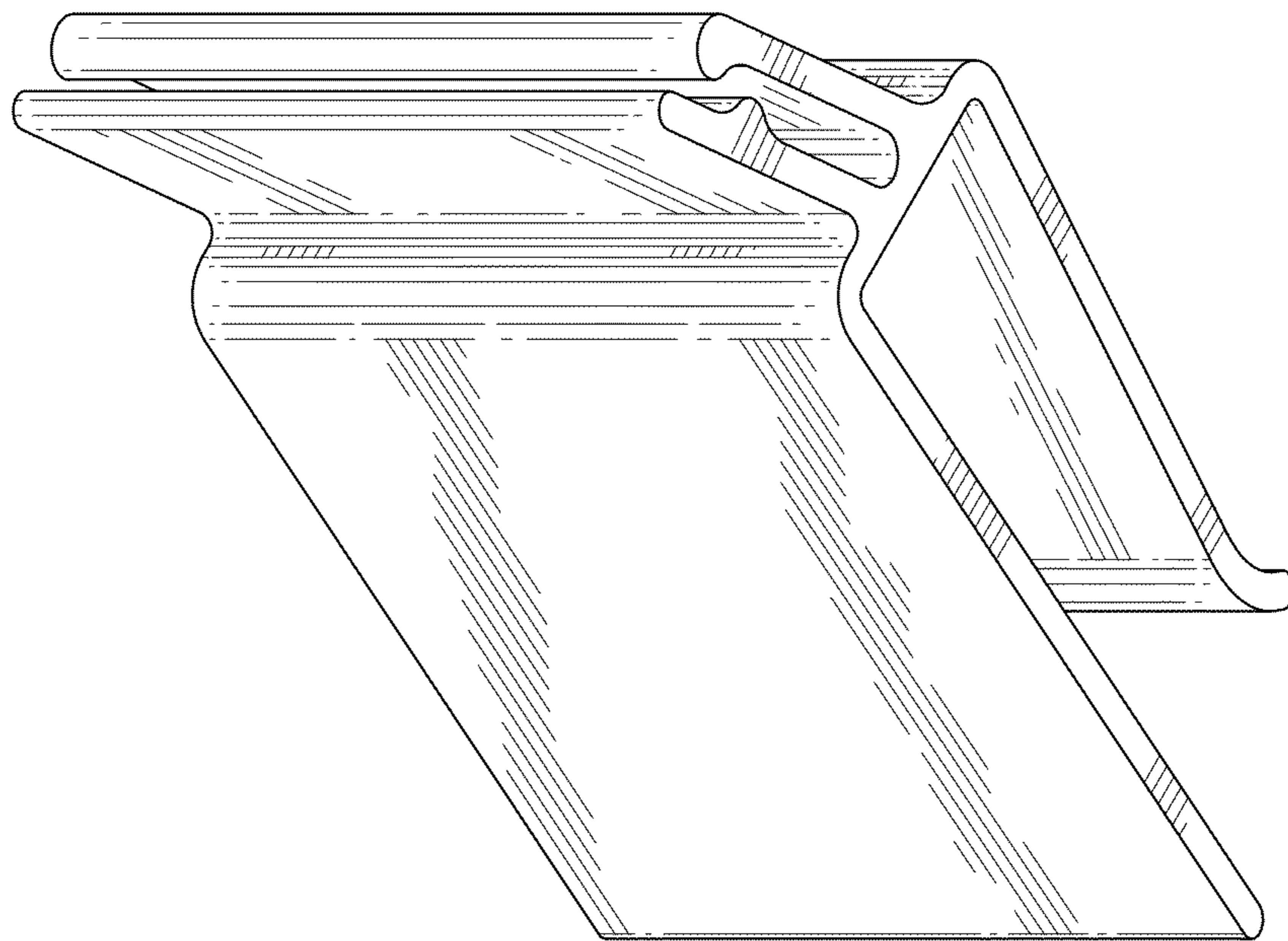


FIG. 1

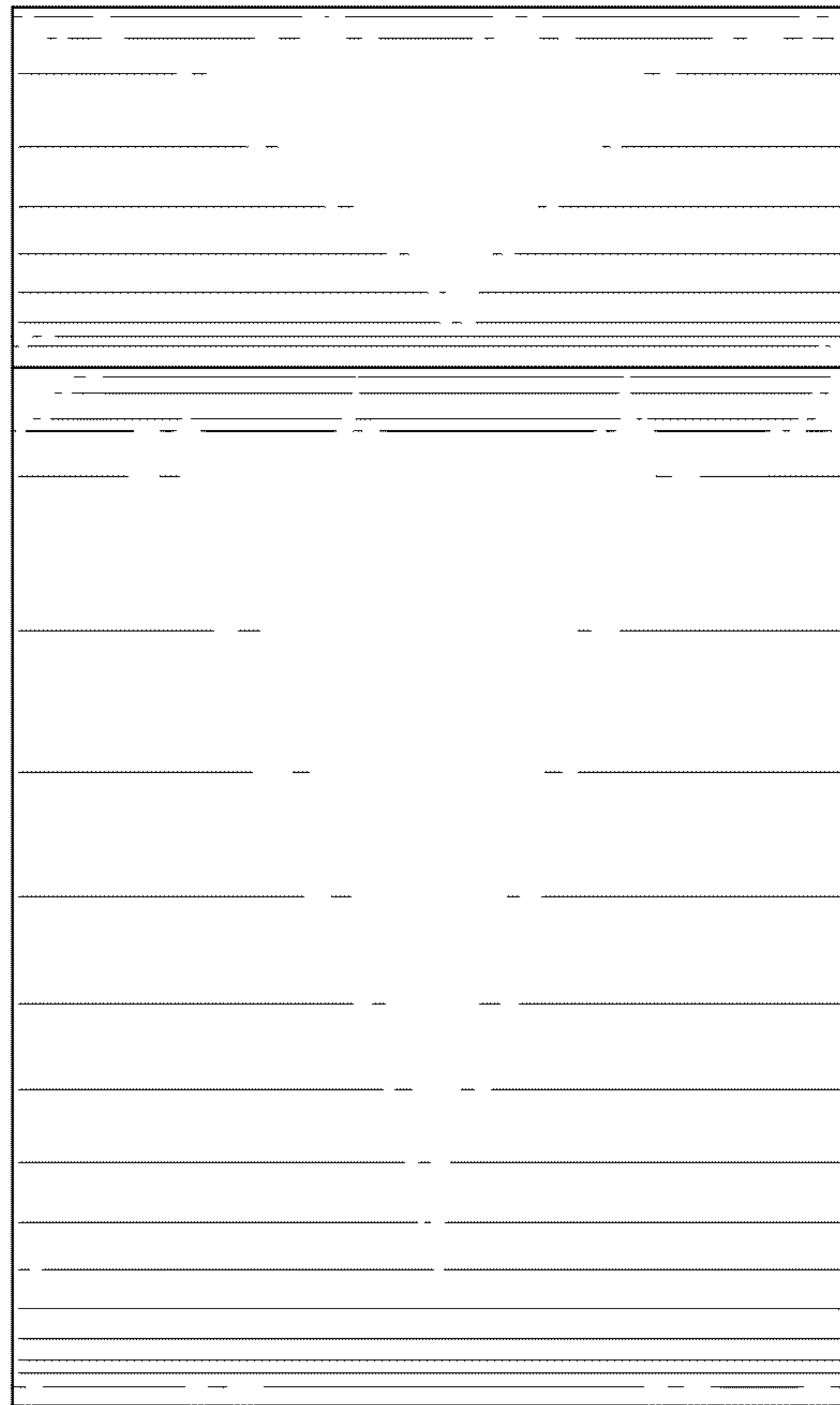


FIG. 2

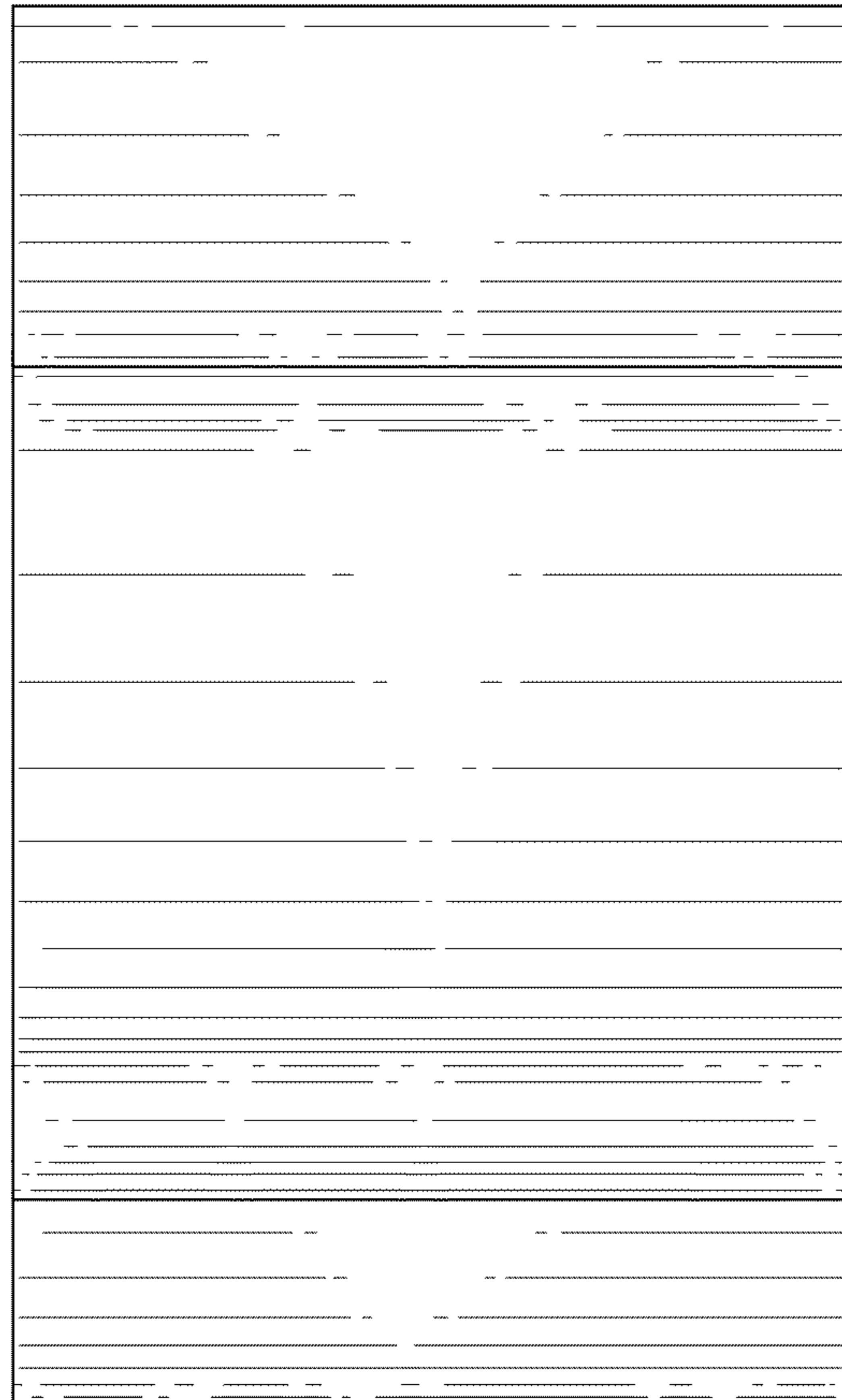


FIG. 3

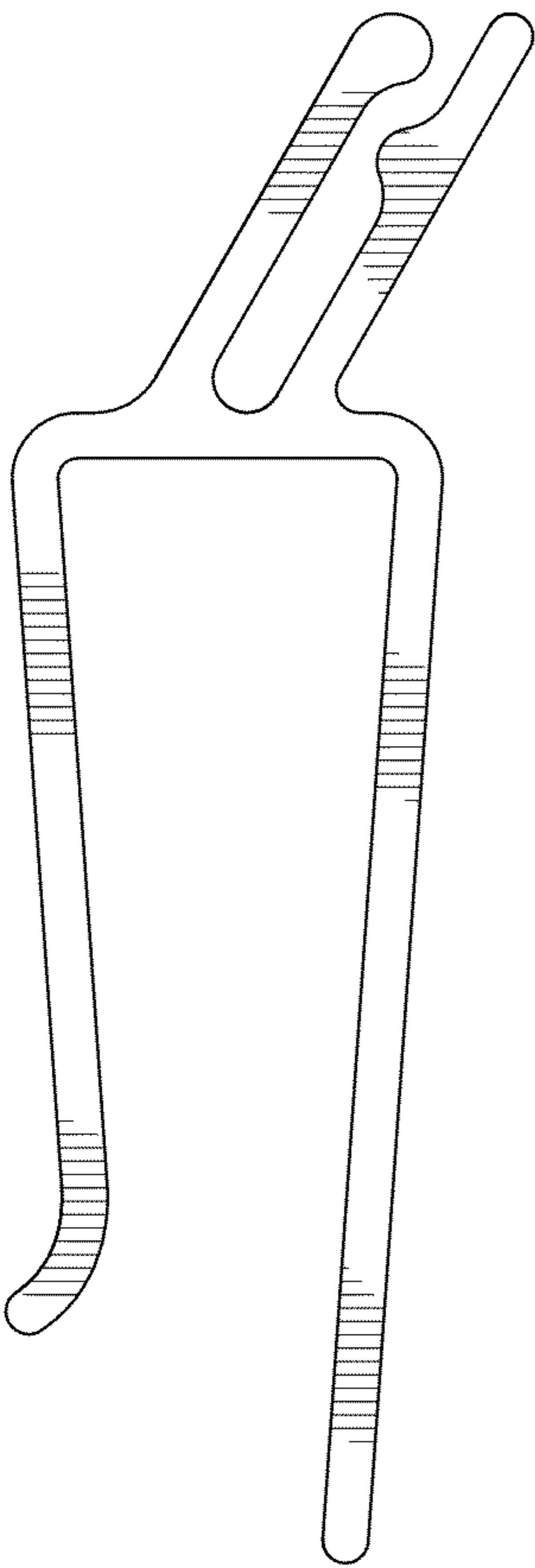


FIG. 4

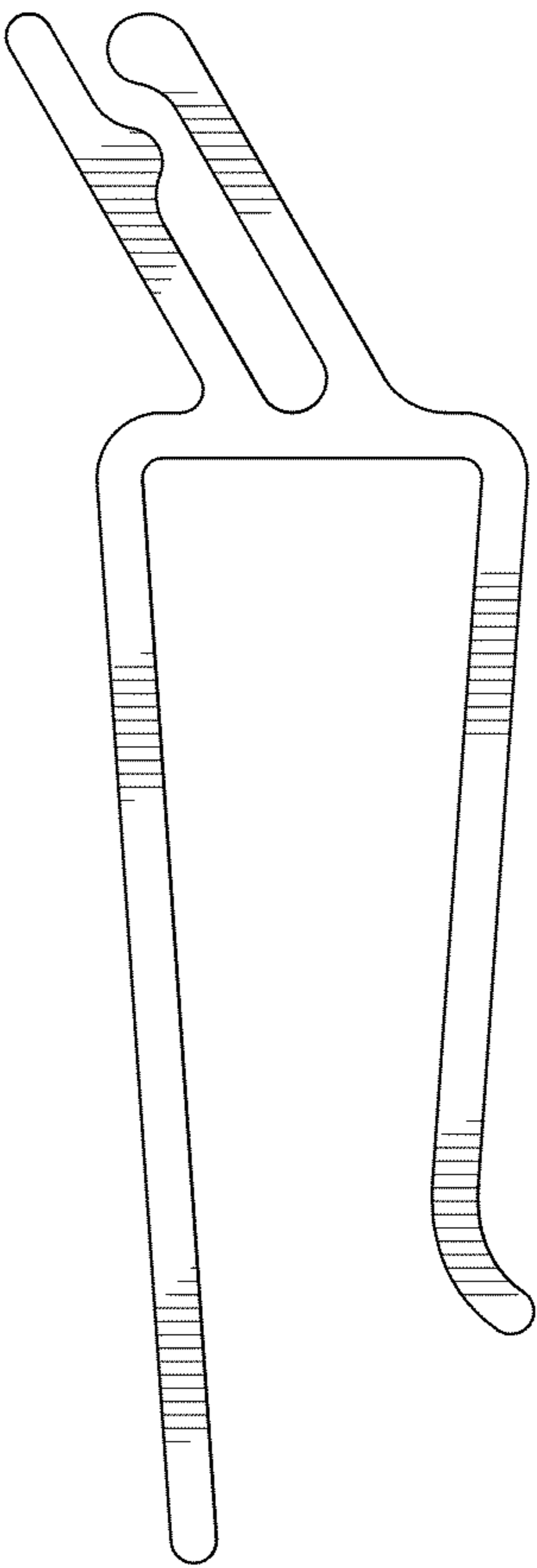


FIG. 5

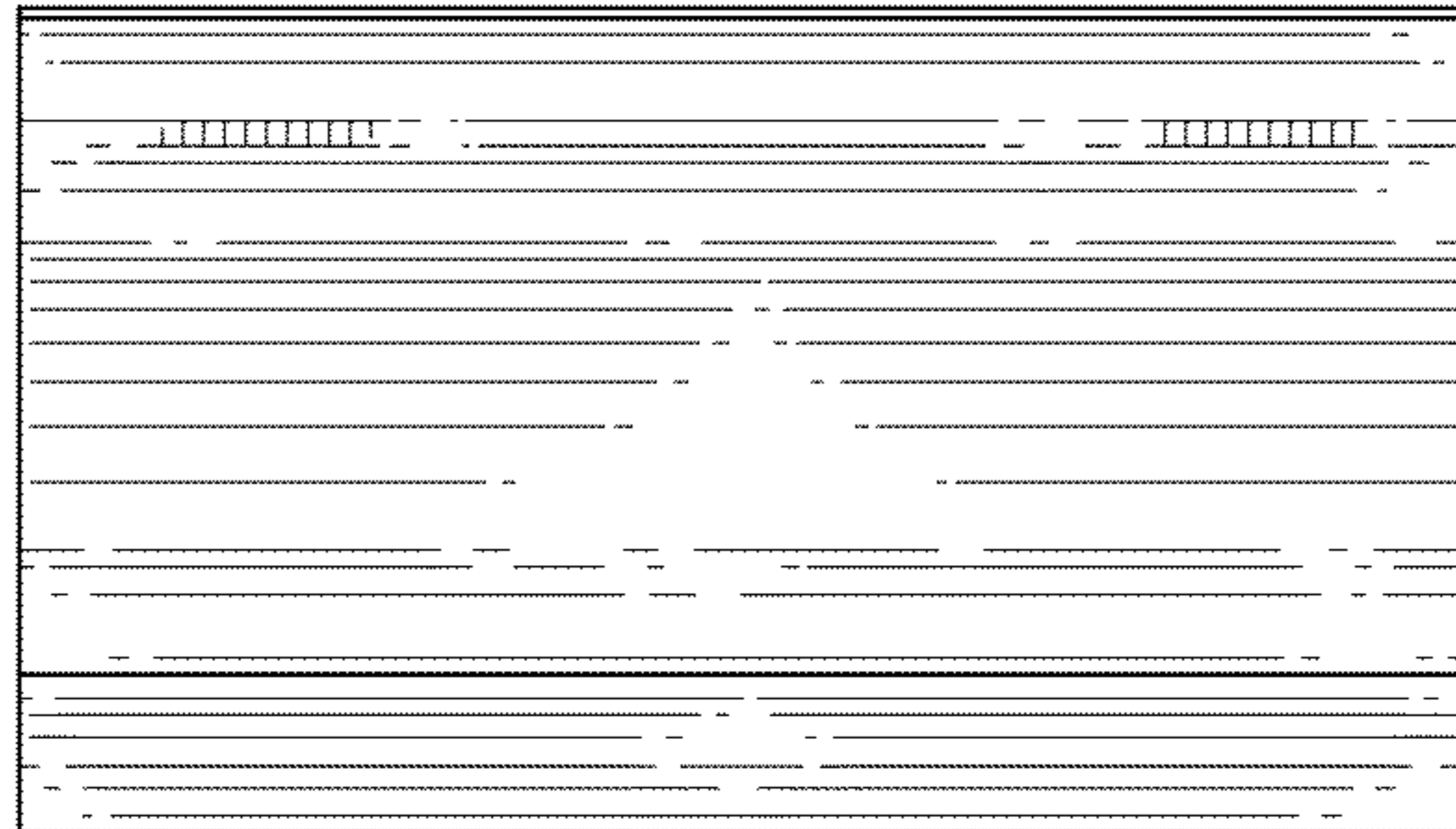


FIG. 6

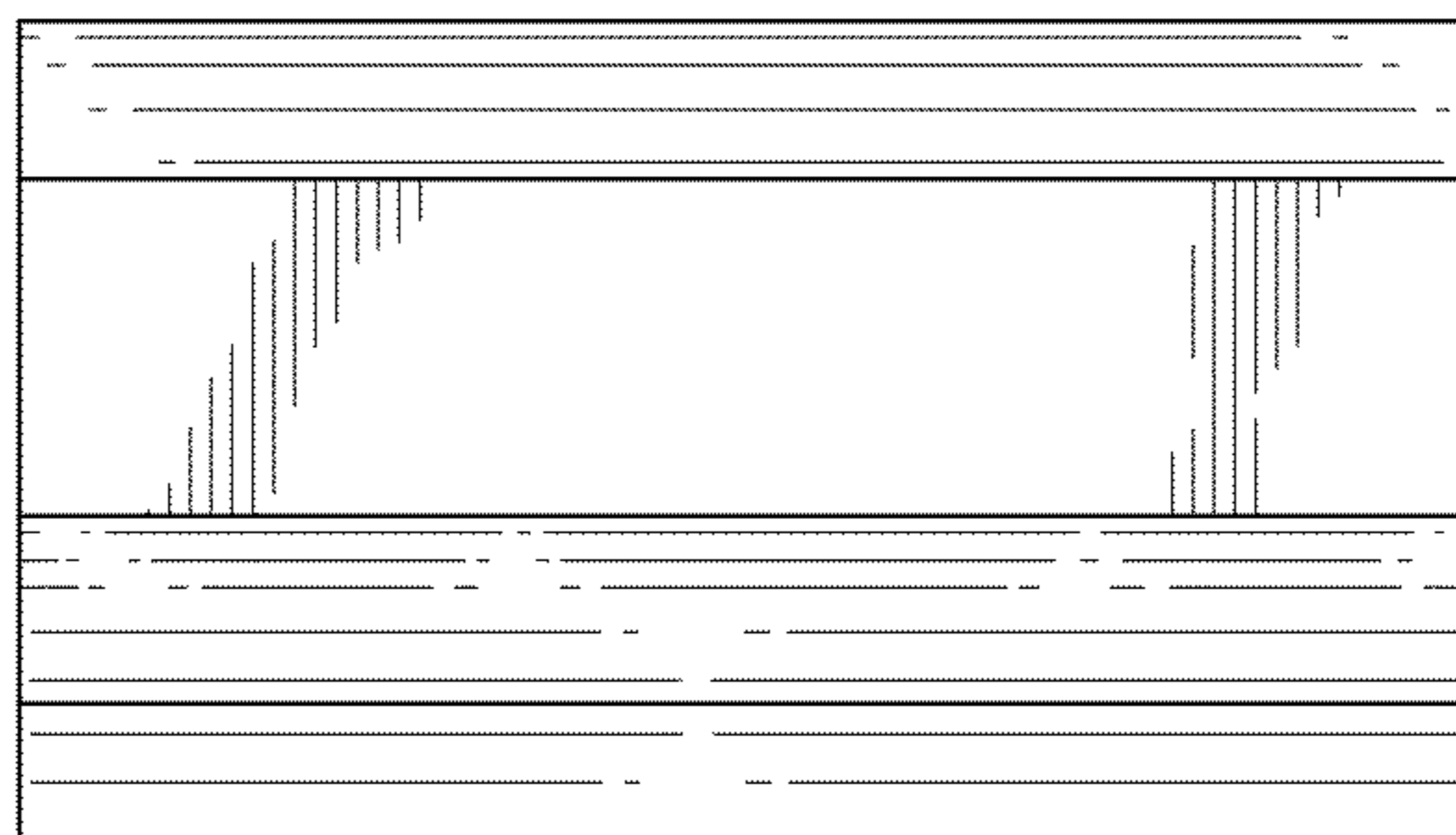


FIG. 7

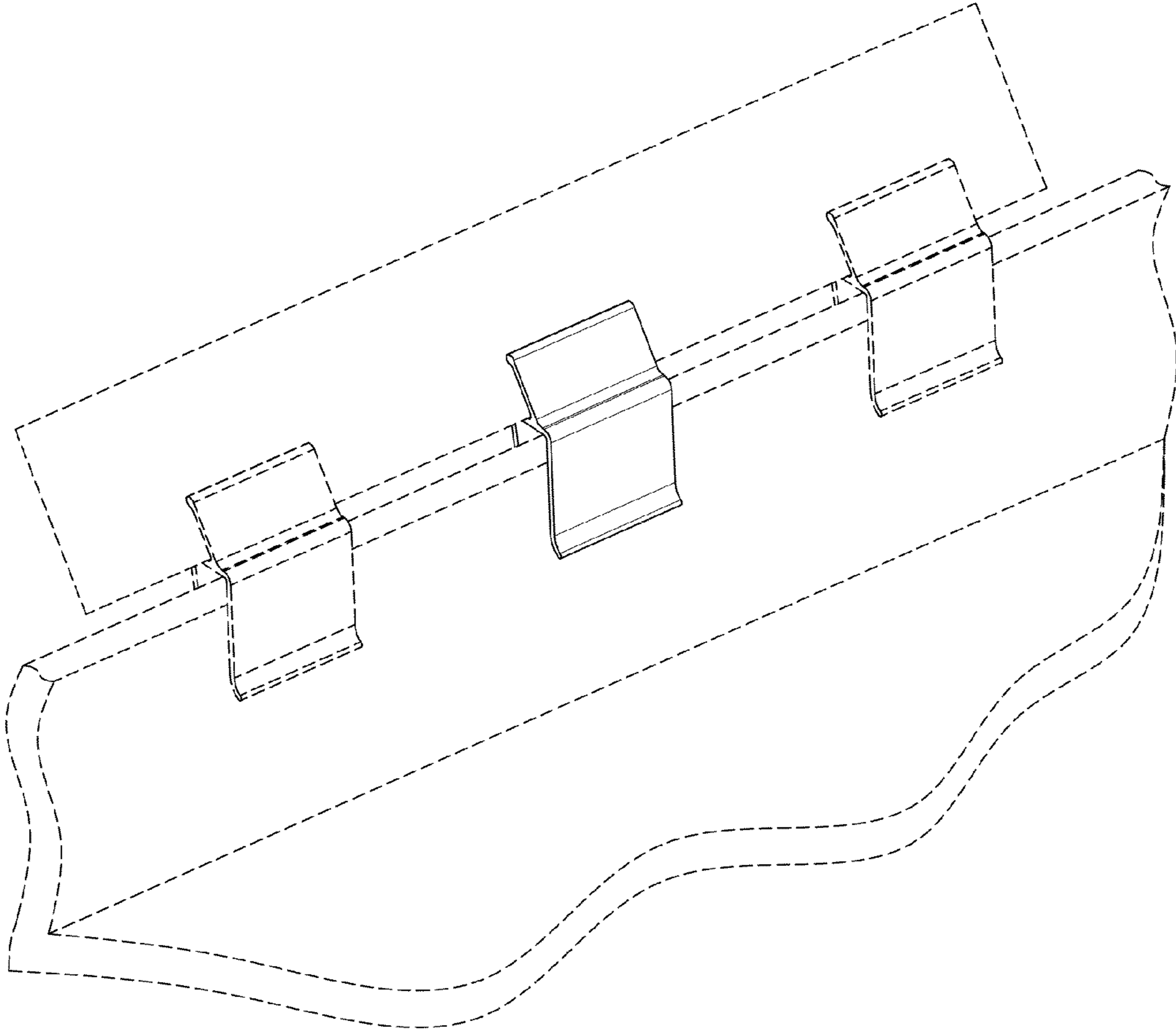


FIG.8