



US00D689948S

(12) **United States Design Patent**
Valls et al.

(10) **Patent No.:** **US D689,948 S**

(45) **Date of Patent:** **** Sep. 17, 2013**

- (54) **PIVOT SIGN FOR A TRAY**
- (71) Applicant: **IFCO Systems N.A. Inc.**, Houston, TX (US)
- (72) Inventors: **William H. Valls**, Loveland, OH (US);
Zachariah S. Simmering, Mansfield, OH (US)
- (73) Assignee: **IFCO Systems US, LLC**, Tampa, FL (US)
- (**) Term: **14 Years**

| | | | | | |
|--------------|------|---------|-----------------|-------|------------|
| 4,881,707 | A * | 11/1989 | Garfinkle | | 248/222.12 |
| 4,882,862 | A | 11/1989 | Slavsky, Sr. | | |
| 5,018,287 | A | 5/1991 | Fast | | |
| 5,289,652 | A * | 3/1994 | Kringel et al. | | 40/651 |
| 5,572,822 | A | 11/1996 | Lynch et al. | | |
| 6,293,405 | B1 | 9/2001 | Burch, Jr. | | |
| D487,781 | S * | 3/2004 | Hunt | | D20/42 |
| 7,131,224 | B1 | 11/2006 | Elliott et al. | | |
| 7,665,617 | B2 | 2/2010 | Shea | | |
| 7,874,088 | B2 | 1/2011 | Nikols | | |
| D647,978 | S * | 11/2011 | Bacsikai et al. | | D20/43 |
| 2002/0104246 | A1 * | 8/2002 | Reynolds | | 40/642.02 |
| 2006/0059756 | A1 | 3/2006 | Wells | | |
| 2006/0261016 | A1 * | 11/2006 | Magid | | 211/57.1 |
| 2011/0203150 | A1 * | 8/2011 | Buncher | | 40/649 |

* cited by examiner

- (21) Appl. No.: **29/435,622**
- (22) Filed: **Oct. 25, 2012**
- (51) **LOC (9) Cl.** **20-03**
- (52) **U.S. Cl.**
USPC **D20/43**
- (58) **Field of Classification Search**
USPC D20/10, 19, 41-44, 99; 40/642.01,
40/642.02, 649-651, 658, 661, 661.03; D6/300,
D6/314; 211/57.1, 87.01; 248/201, 220.22,
248/220.42, 222.12, 223.41, 231.71, 282.1
See application file for complete search history.

Primary Examiner — Mary Ann Calabrese
(74) *Attorney, Agent, or Firm* — Daniel A. Tallitsch; Baker & McKenzie LLP

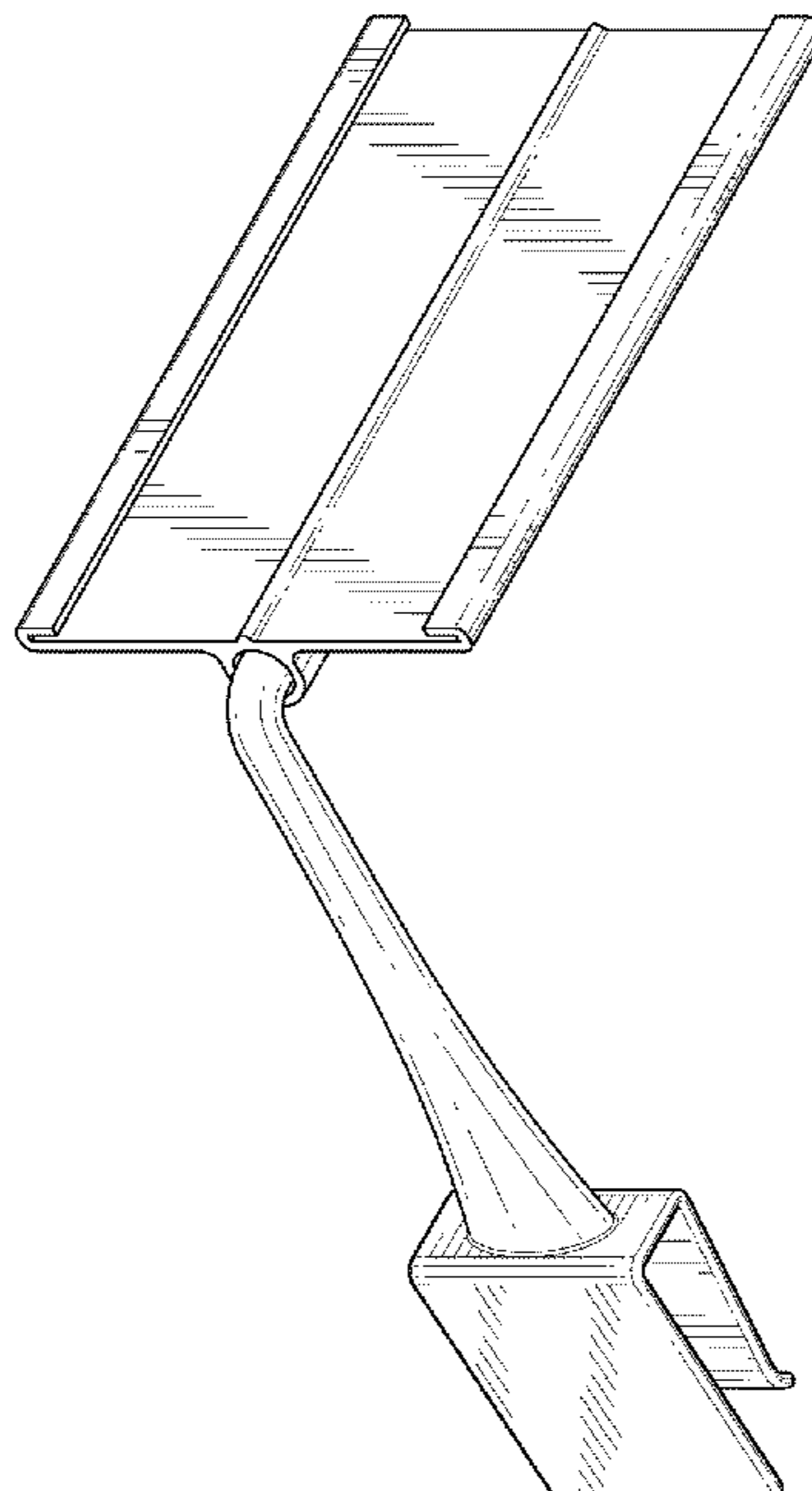
(57) **CLAIM**
The ornamental design for a pivot sign for a tray, as shown and described.

DESCRIPTION

FIG. 1 is a first perspective view showing my new design; FIG. 2 is a top elevational view thereof; FIG. 3 is a bottom elevational view thereof; FIG. 4 is a front elevational view thereof; FIG. 5 is a back elevational view thereof; FIG. 6 is a right elevational view thereof; FIG. 7 is a left elevational view thereof; and, FIG. 8 is a second perspective view showing my new design in its intended use. The broken lines are for illustrative purposes and form no part of the claimed design.

1 Claim, 7 Drawing Sheets

- (56) **References Cited**
U.S. PATENT DOCUMENTS
- | | | | |
|-----------|---|---------|--------------|
| 1,285,890 | A | 11/1918 | Anderson |
| 2,040,750 | A | 5/1936 | Long |
| 2,779,114 | A | 1/1957 | Orthwine |
| 3,955,296 | A | 5/1976 | Kapstad |
| 4,044,485 | A | 8/1977 | Hopp |
| 4,372,066 | A | 2/1983 | Slavsky, Sr. |
| 4,406,074 | A | 9/1983 | Gallimore |
| 4,775,058 | A | 10/1988 | Yatsko |



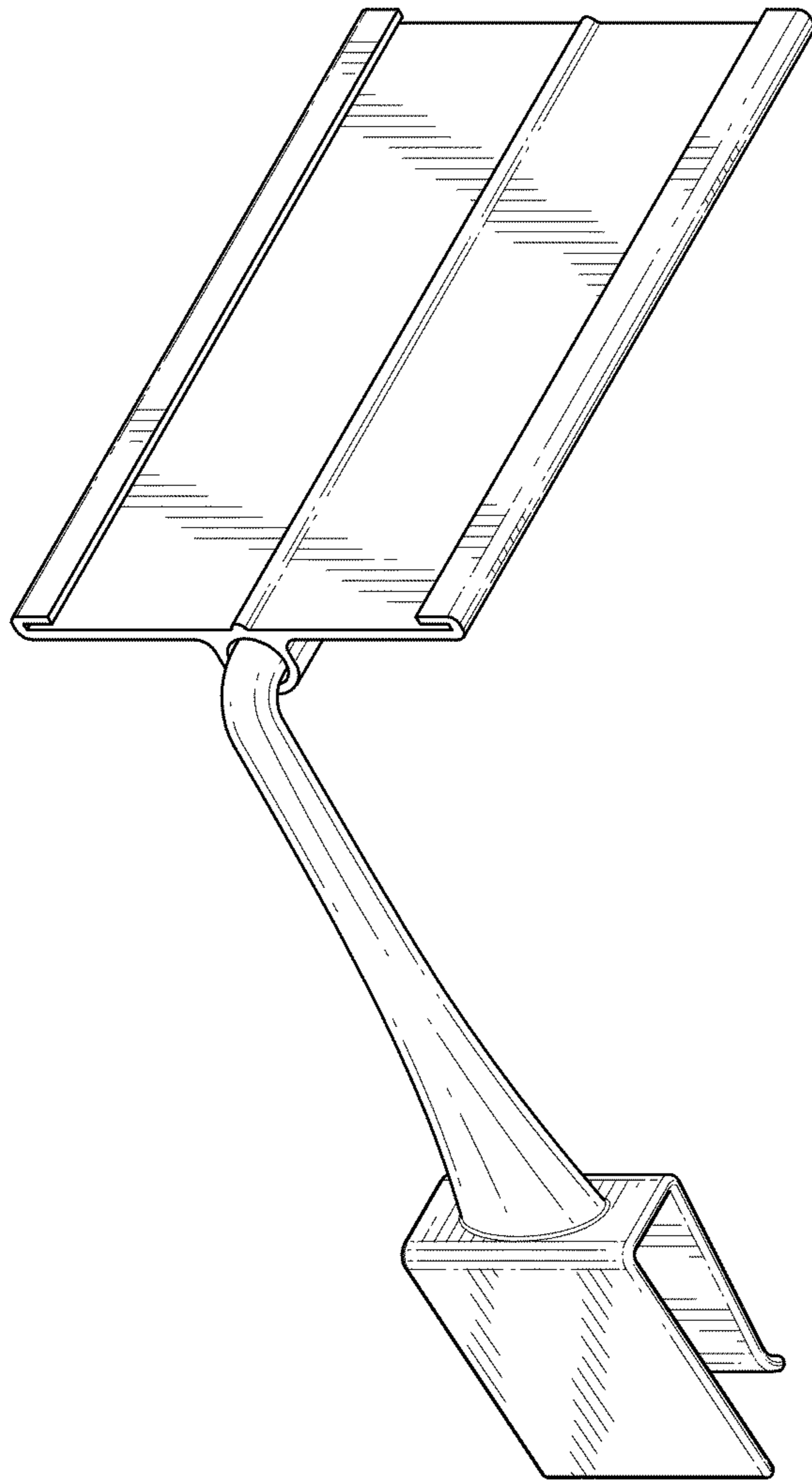


FIG. 1

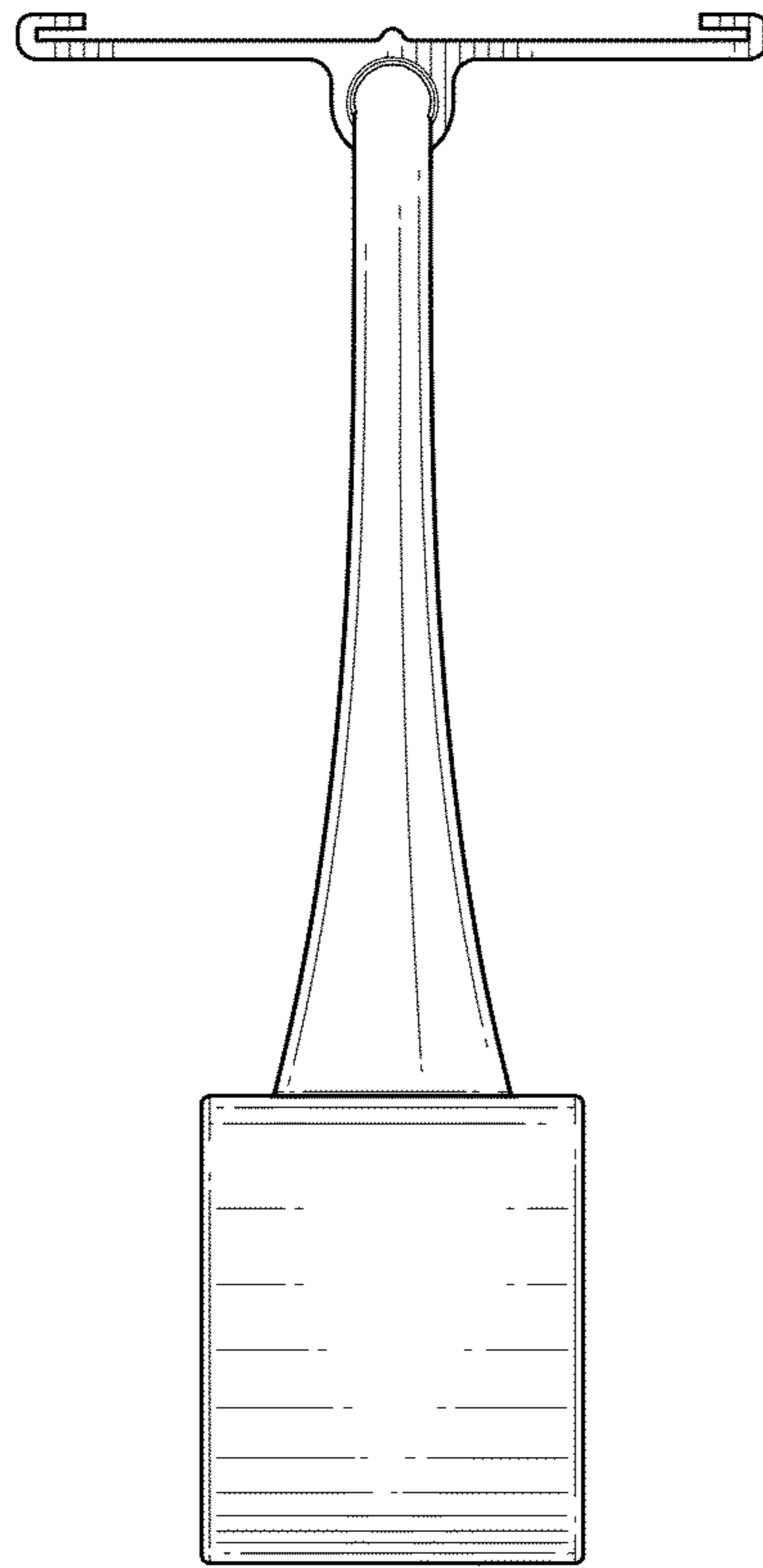


FIG. 2

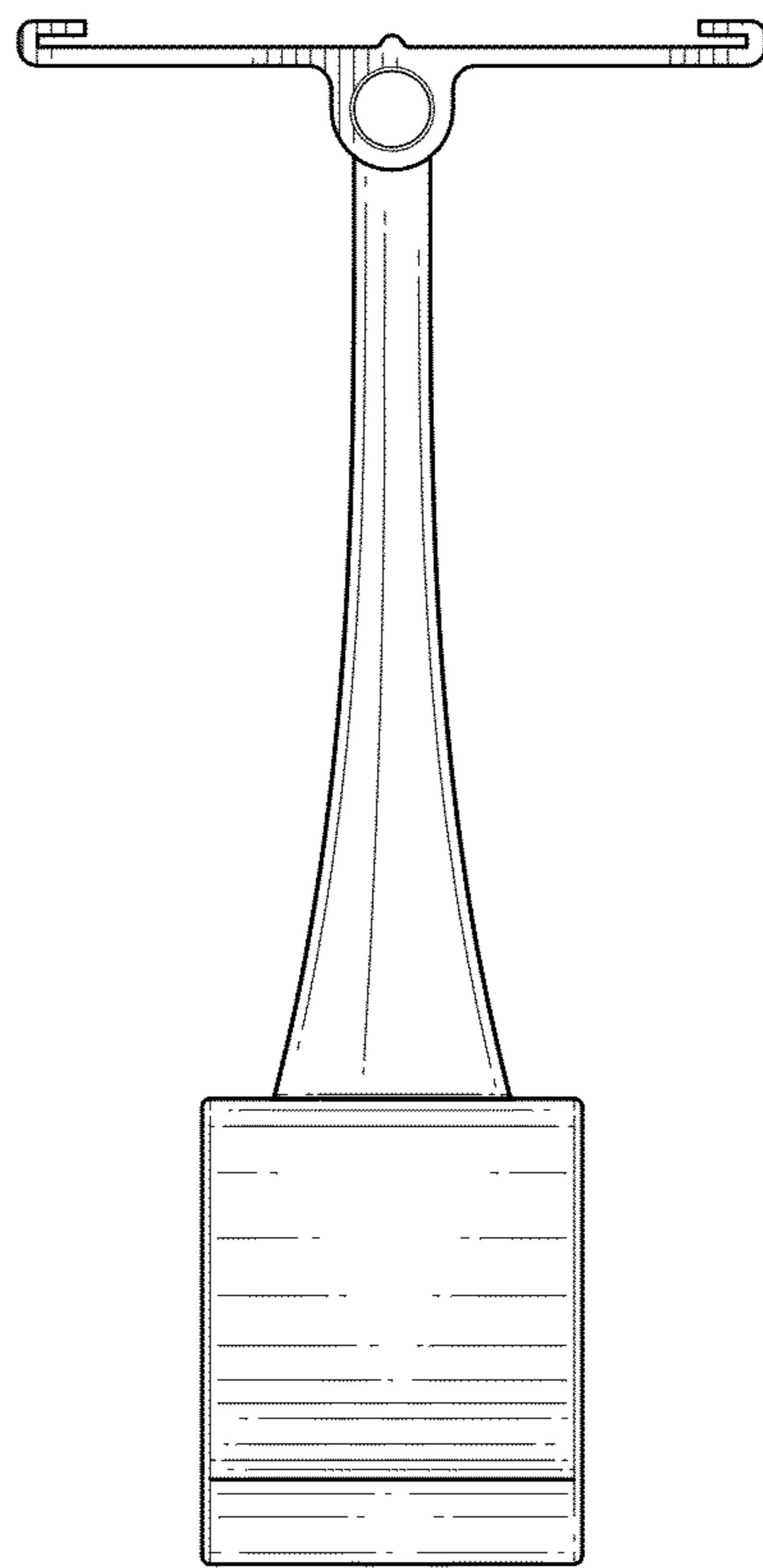


FIG. 3

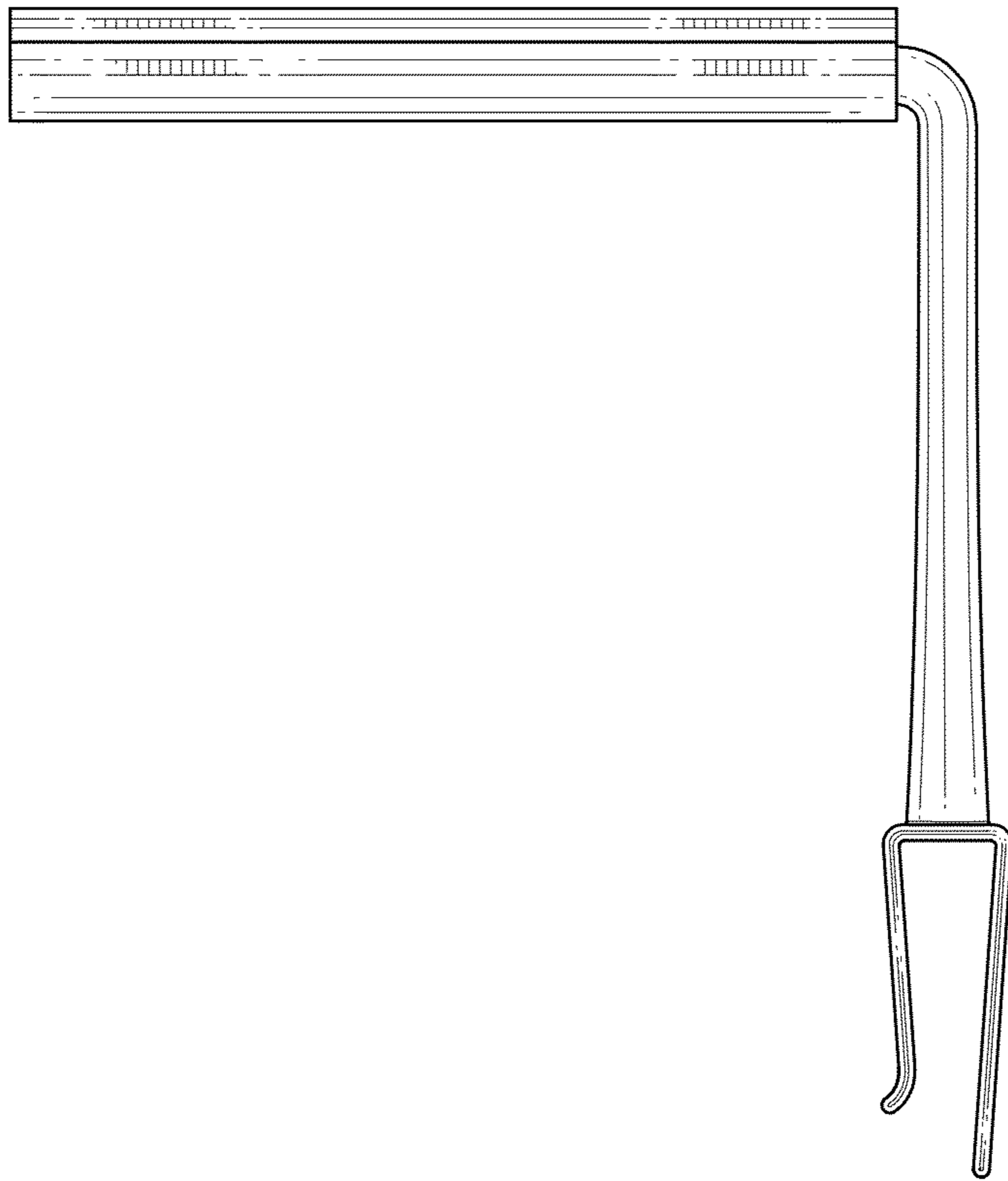


FIG.4

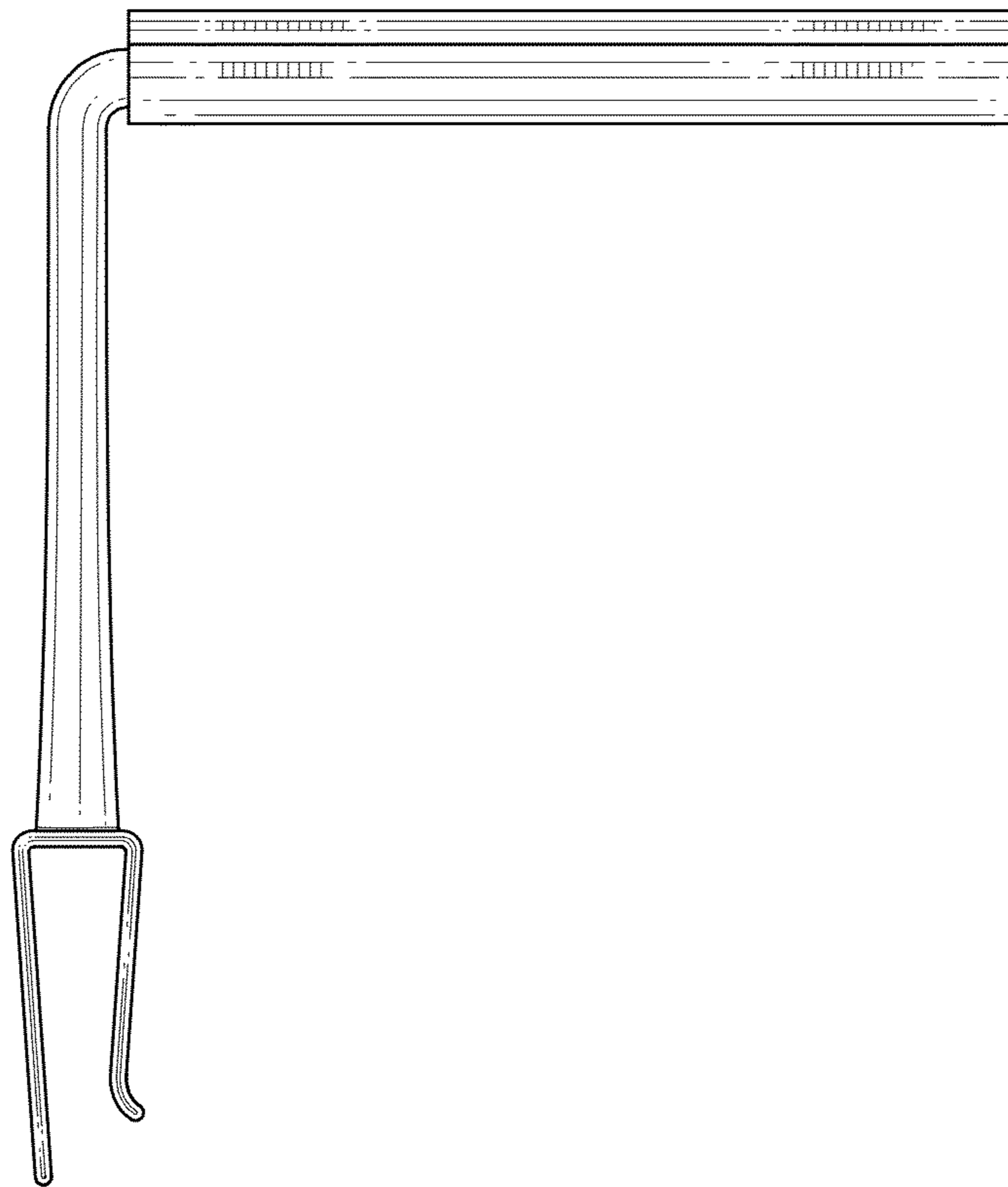


FIG.5

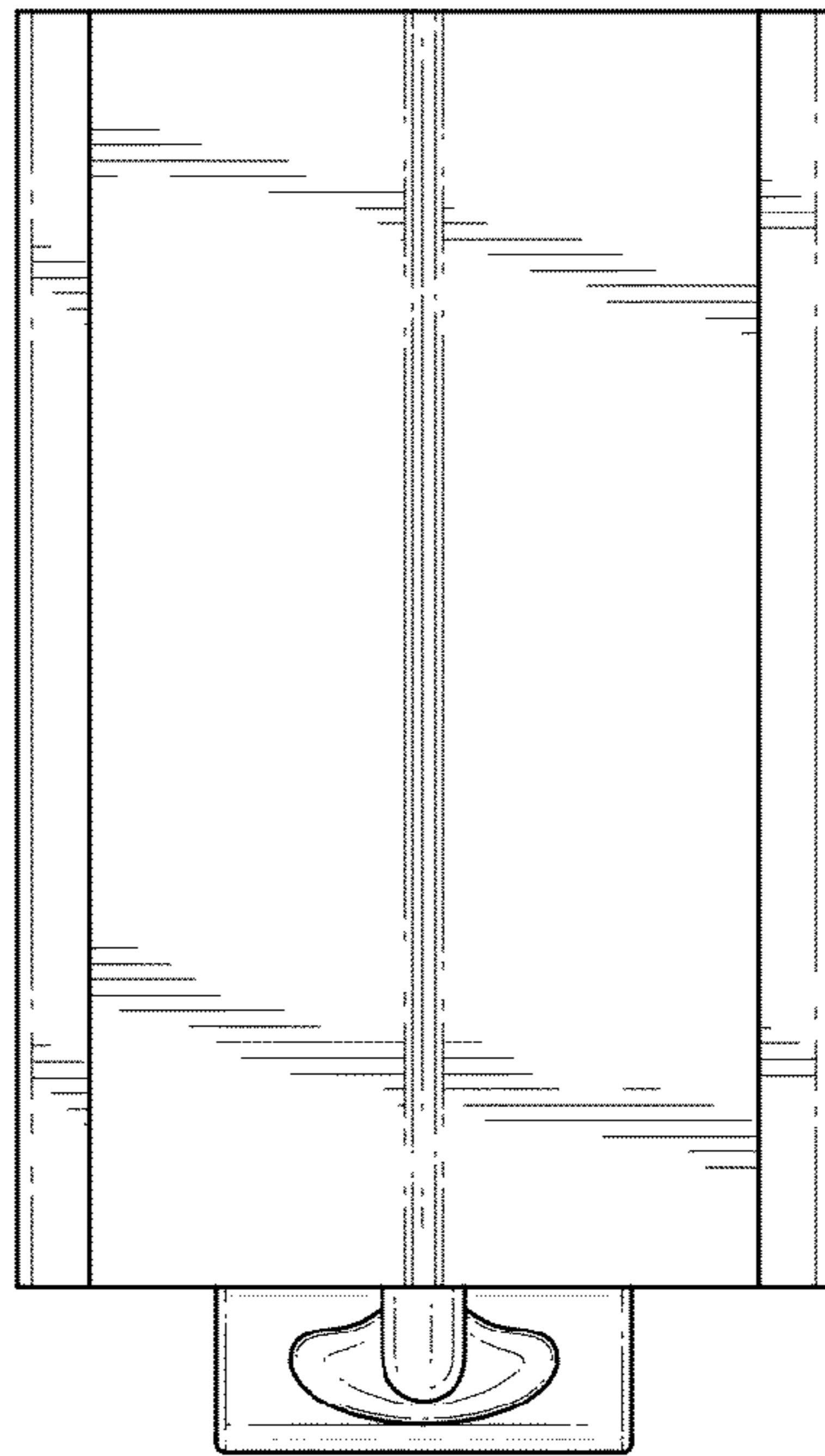


FIG. 6

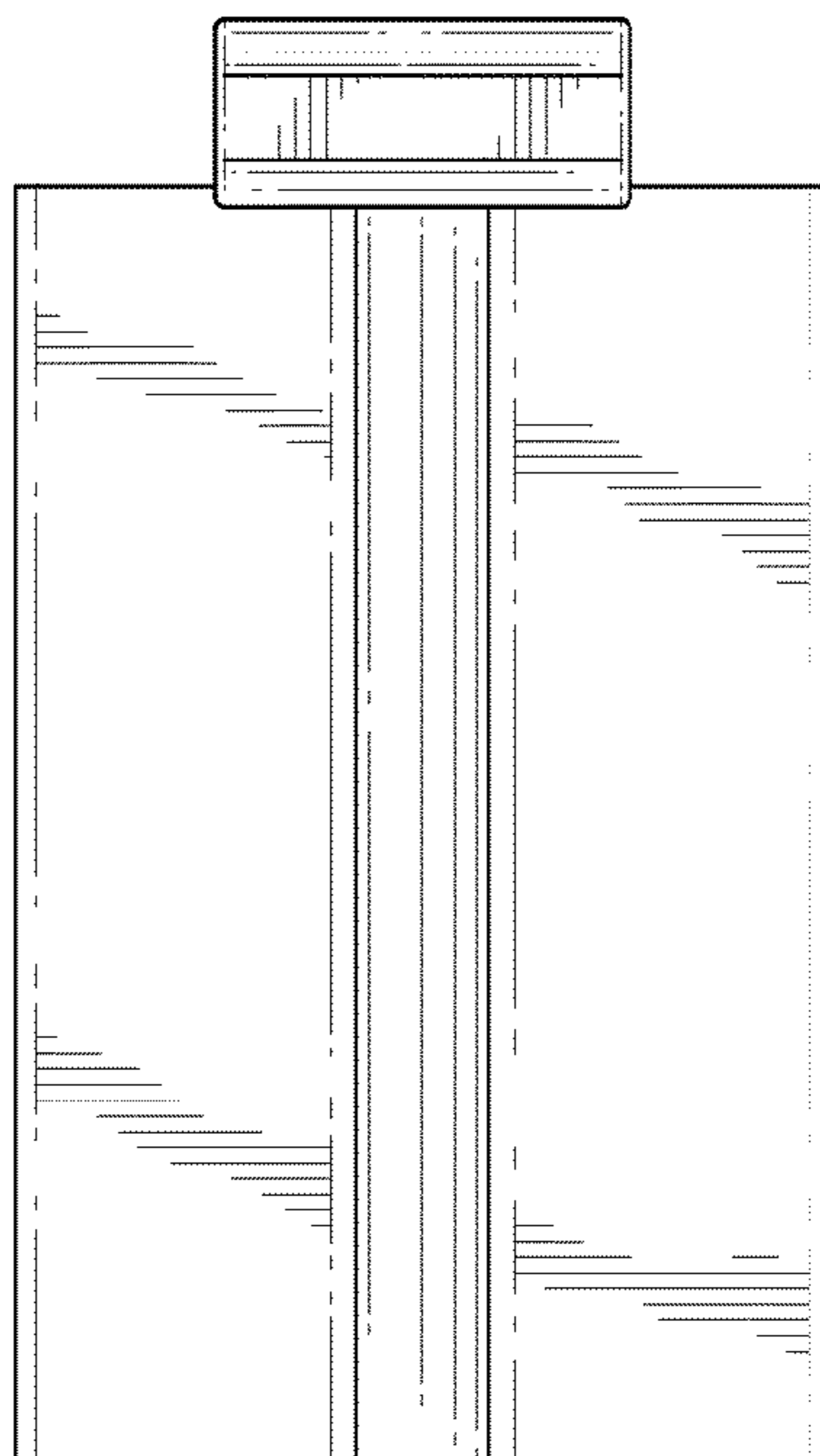


FIG. 7

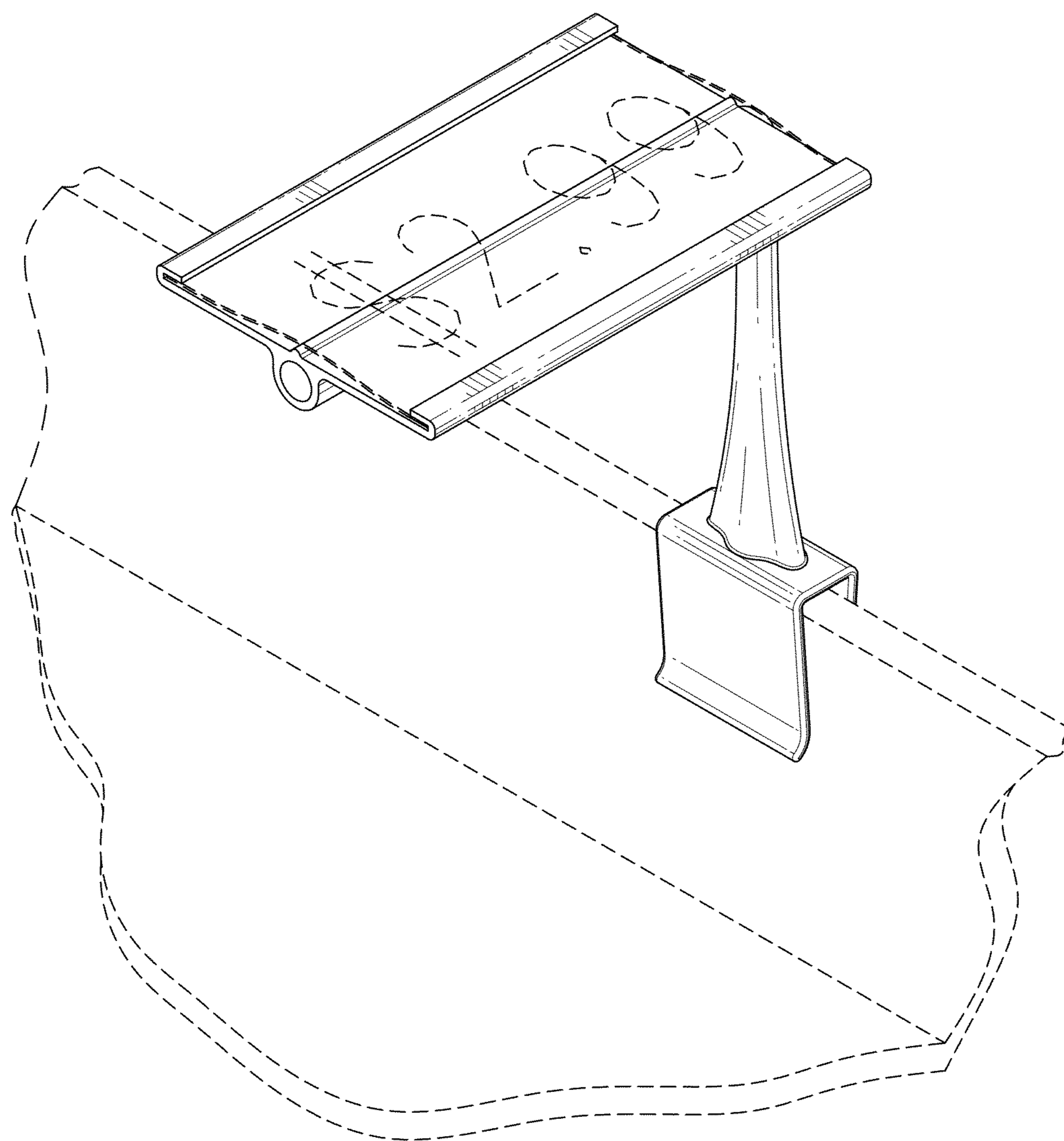


FIG. 8