



US00D689945S

(12) **United States Design Patent**
Hu

(10) **Patent No.:** **US D689,945 S**
(45) **Date of Patent:** **** Sep. 17, 2013**

(54) **FILE ORGANIZER**

(71) Applicant: **Yajun Hu**, El Dorado Hills, CA (US)

(72) Inventor: **Yajun Hu**, El Dorado Hills, CA (US)

(73) Assignee: **Designa Group Inc.**, El Dorado Hills, CA (US)

(**) Term: **14 Years**

(21) Appl. No.: **29/439,127**

(22) Filed: **Dec. 6, 2012**

(51) **LOC (9) Cl.** **19-02**

(52) **U.S. Cl.**
USPC **D19/90**

(58) **Field of Classification Search**
USPC D3/304, 306, 313, 314, 315; D6/675.2, D6/683, 683.1, 705.6; D7/553.2, 553.3, D7/553.6, 553.7, 554.2, 554.3, 637; D19/75, D19/77-92; 206/214, 425, 449, 558, 371; 211/10, 11, 45, 50, 55, 69.1-69.9, 126.1; 220/485, 607
See application file for complete search history.

(56) **References Cited**

U.S. PATENT DOCUMENTS

3,176,849	A *	4/1965	Peebles	211/50
4,006,827	A	2/1977	Riches		
4,538,739	A *	9/1985	Licari et al.	211/189
D299,657	S	1/1989	Hwang		
D322,002	S *	12/1991	Emery	D6/566

D323,854	S	2/1992	Evenson		
5,140,724	A	8/1992	Crisanti		
D330,047	S	10/1992	Evenson		
D336,927	S	6/1993	Samuels et al.		
D353,158	S *	12/1994	Evenson	D19/90
5,447,242	A *	9/1995	Kelly et al.	211/42
D433,712	S *	11/2000	Walsh	D19/90
D458,640	S *	6/2002	Hofman	D19/90
D488,511	S *	4/2004	Hardy	D19/90
D520,002	S	5/2006	Mello		
D550,284	S	9/2007	Goodman et al.		
D579,254	S *	10/2008	Dominique et al.	D6/566
D604,769	S	11/2009	Chen et al.		
7,921,998	B2	4/2011	Schenker		
D665,846	S	8/2012	Chuang		

* cited by examiner

Primary Examiner — Elizabeth Albert

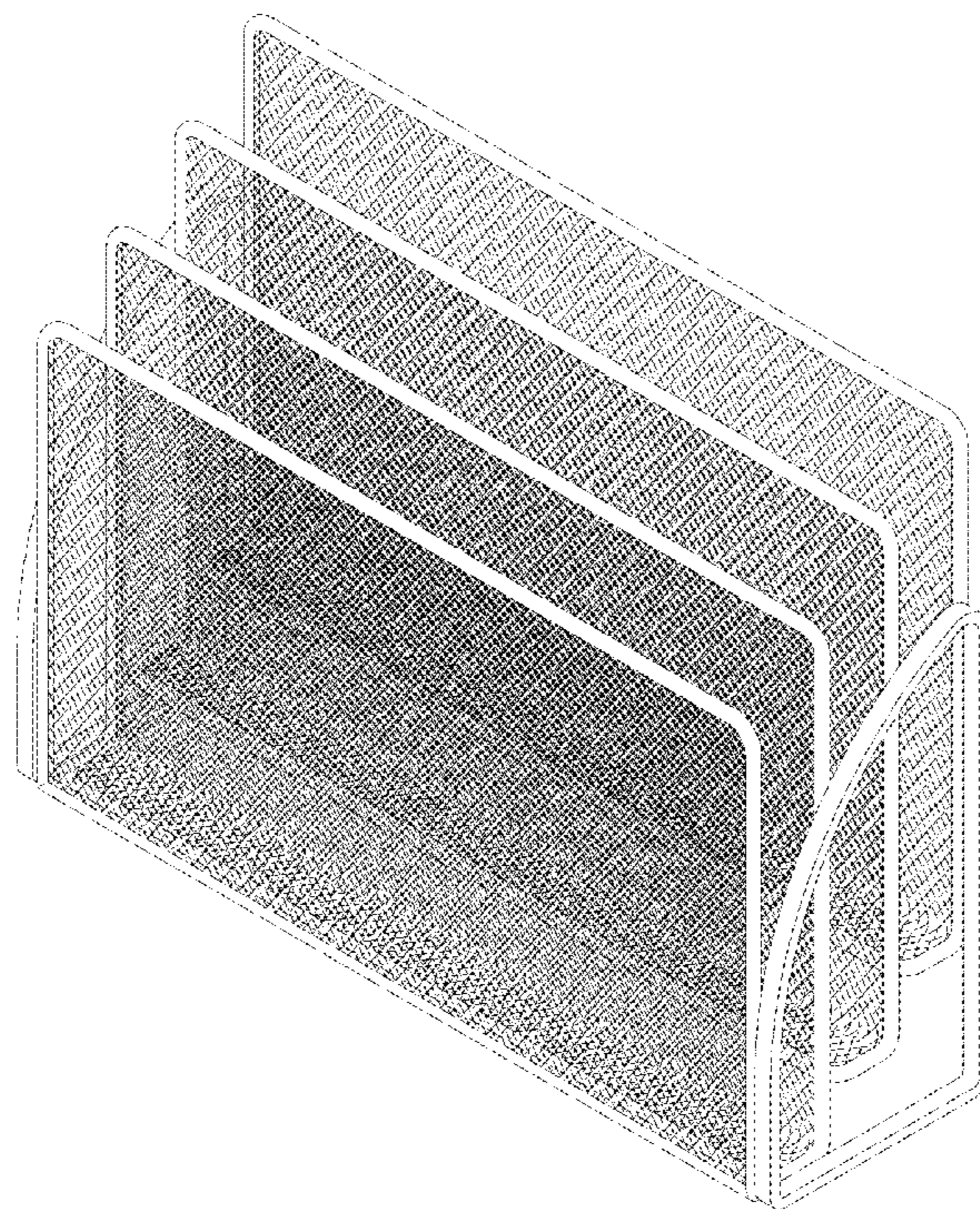
(57) **CLAIM**

The ornamental design for a file organizer, as shown and described.

DESCRIPTION

FIG. 1 is a perspective view of the file organizer showing my design;
FIG. 2 is a front view thereof;
FIG. 3 is a bottom view thereof;
FIG. 4 is a top view thereof;
FIG. 5 is a rear side view thereof;
FIG. 6 is a left side view thereof; and,
FIG. 7 is a right side view thereof.

1 Claim, 7 Drawing Sheets



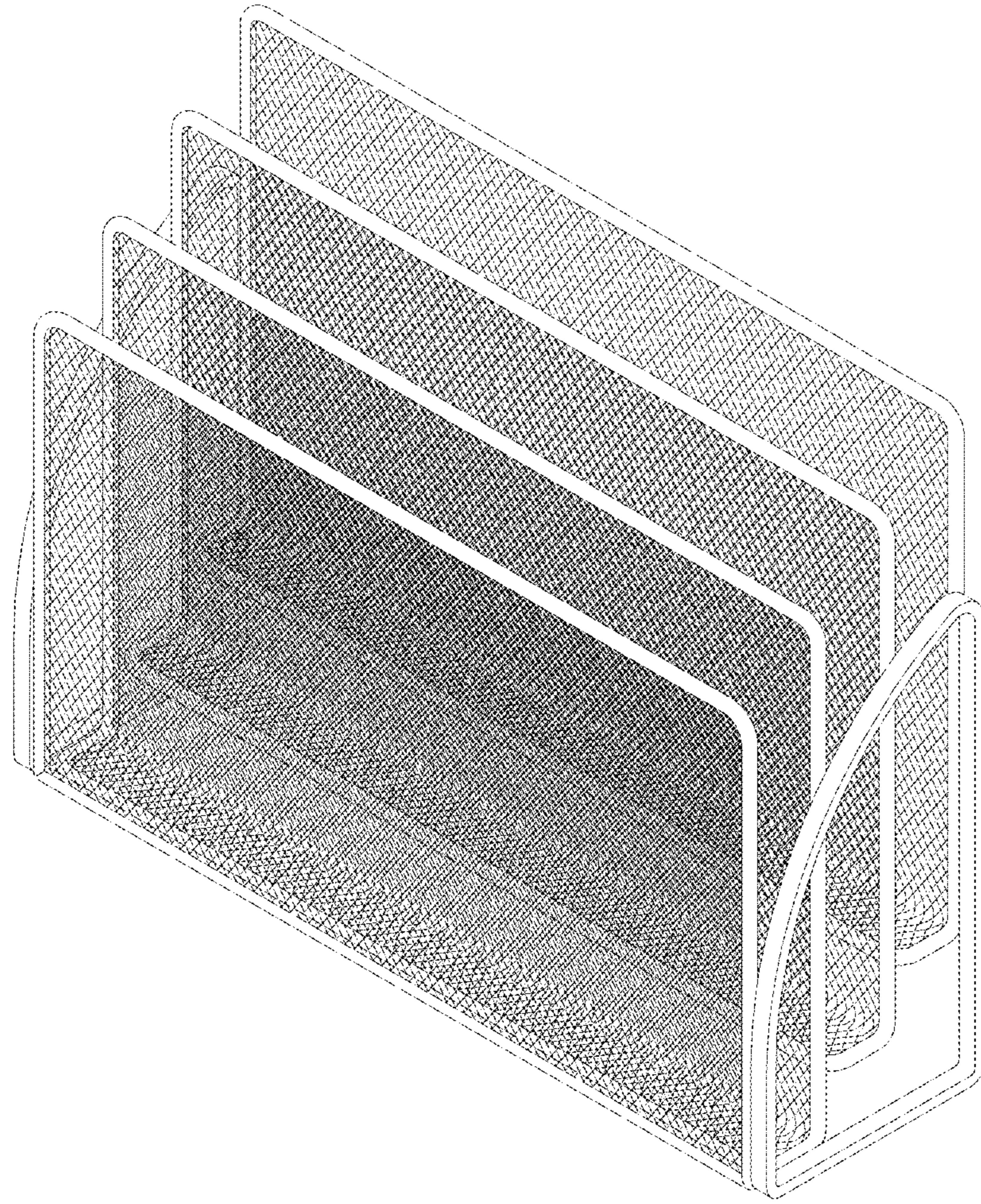


FIG.1

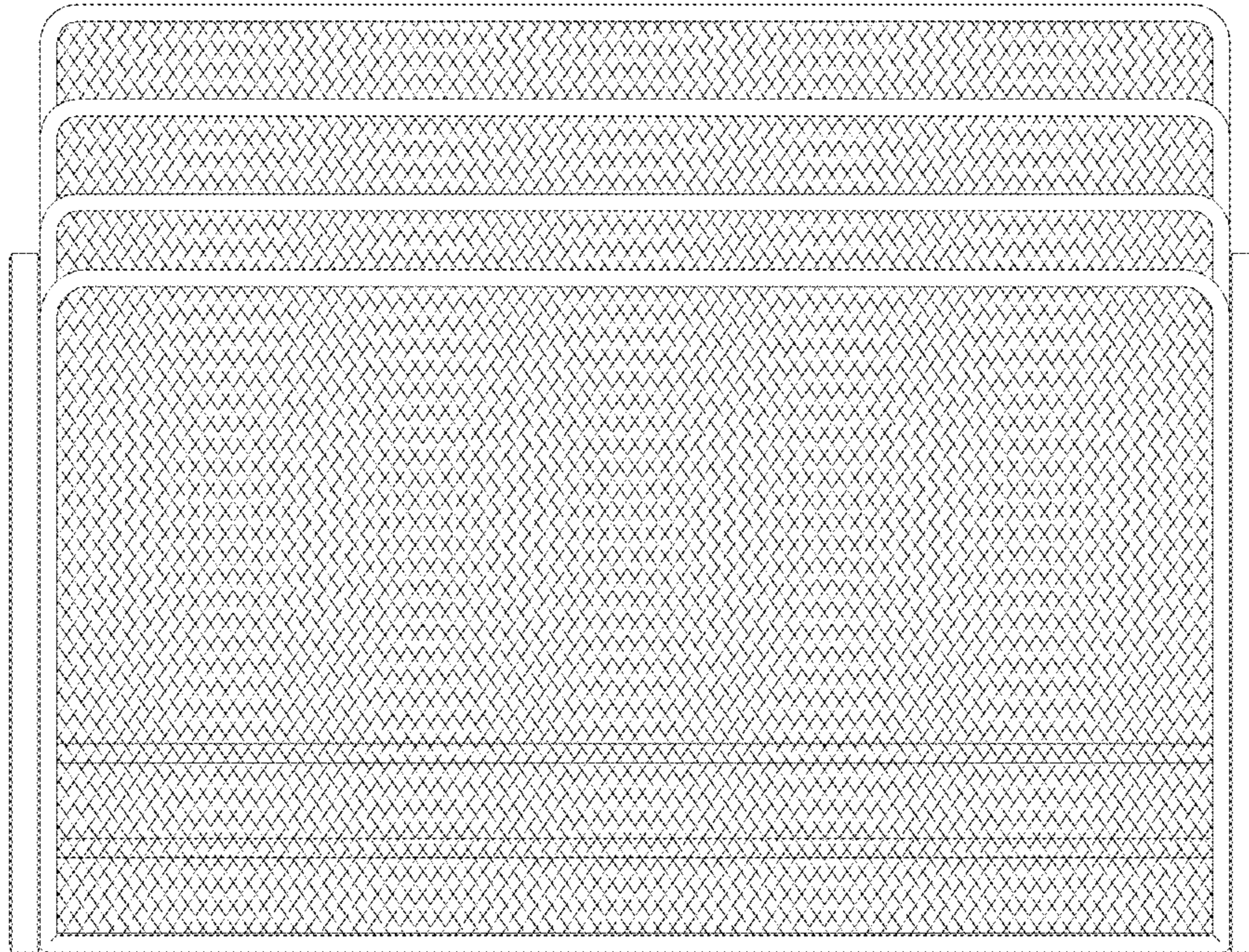


FIG.2

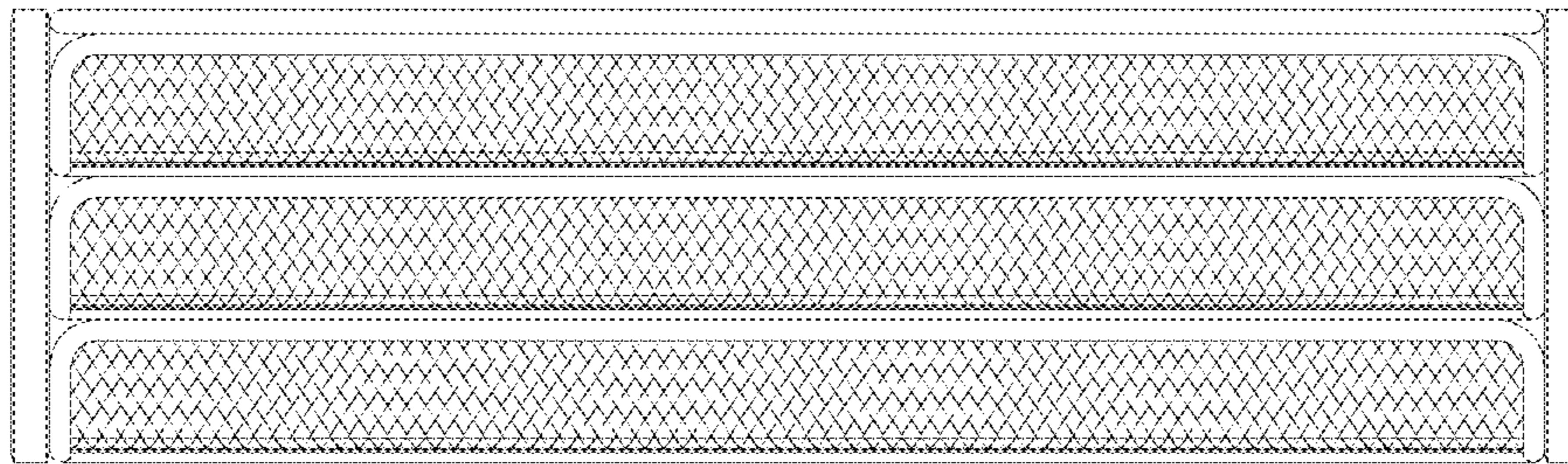


FIG.3

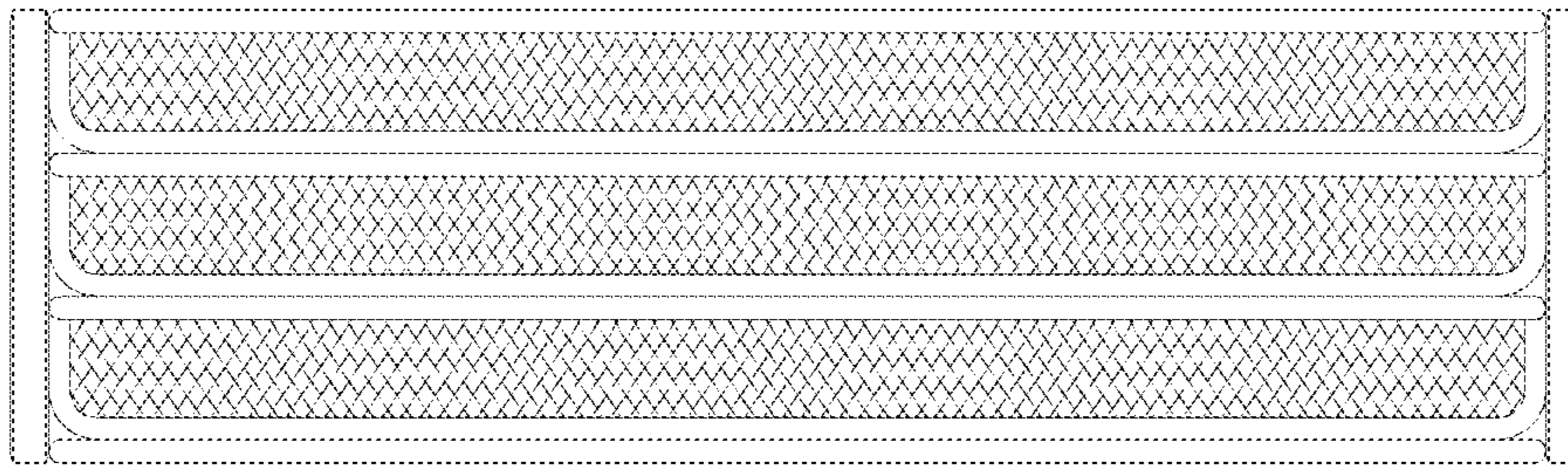


FIG.4

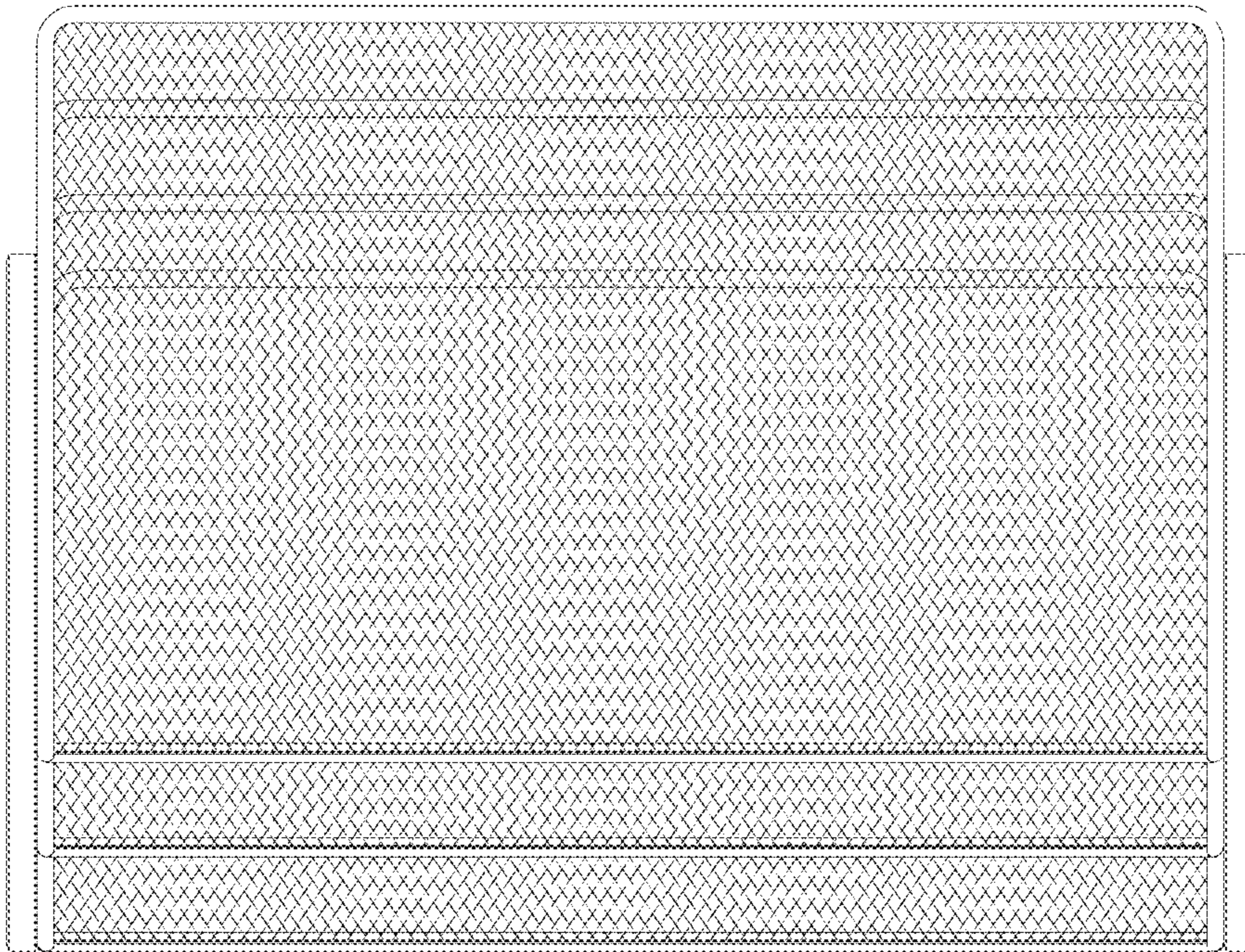


FIG. 5

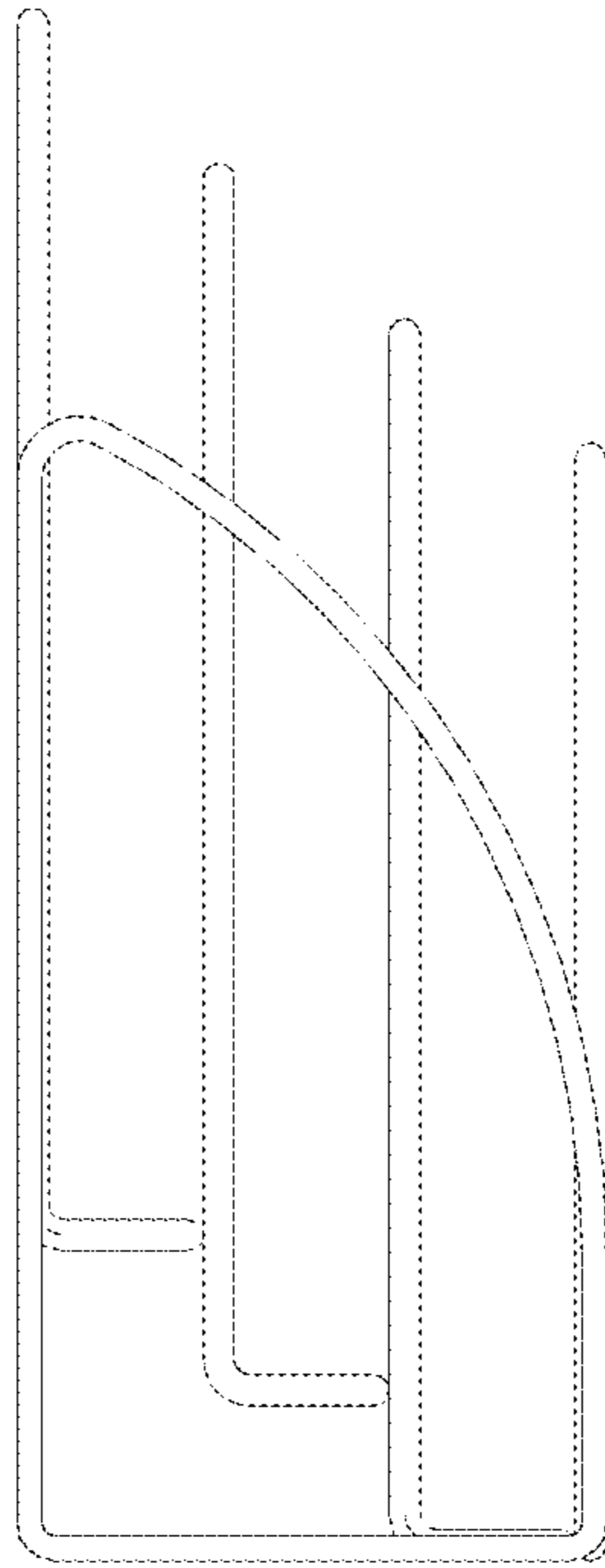


FIG.6

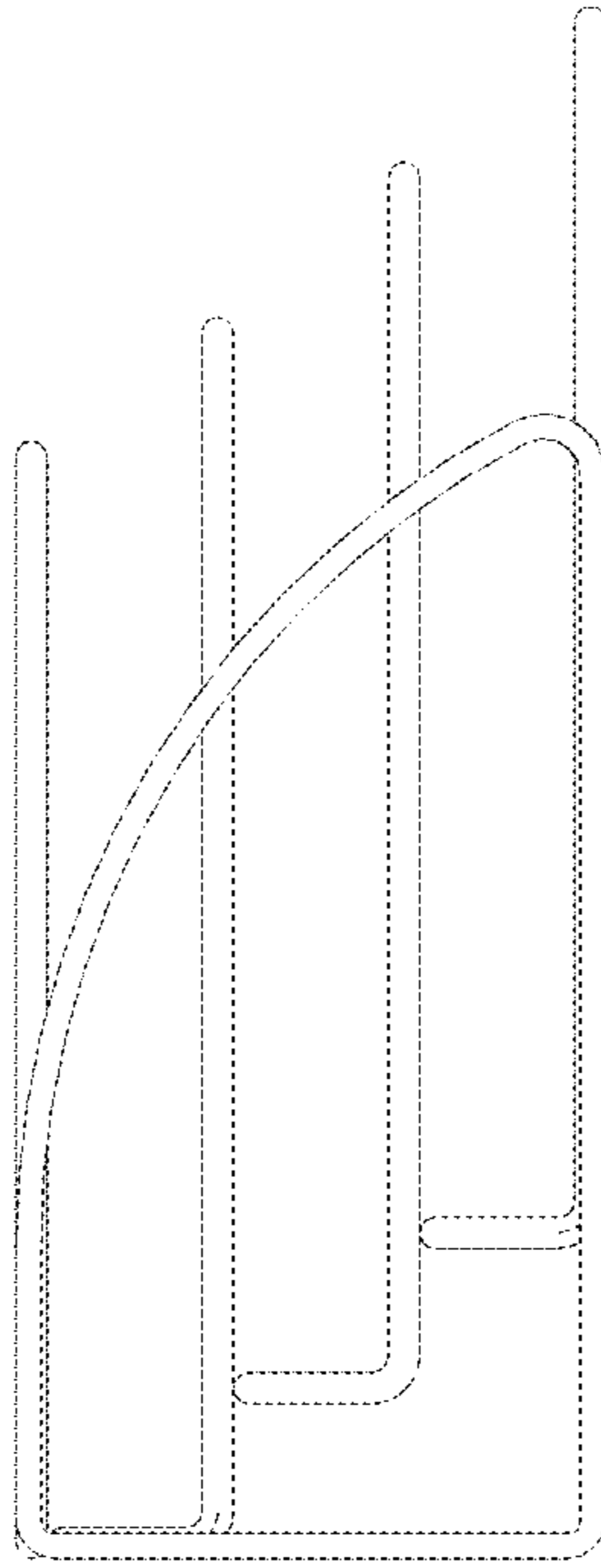


FIG.7