



US00D689938S

(12) **United States Design Patent**  
**Hu**

(10) **Patent No.:** **US D689,938 S**  
(45) **Date of Patent:** **\*\* Sep. 17, 2013**

(54) **ORGANIZER**

(75) Inventor: **Yajun Hu**, El Dorado Hills, CA (US)

(73) Assignee: **Designa Group Inc.**, El Dorado Hills, CA (US)

(\*\*) Term: **14 Years**

(21) Appl. No.: **29/431,166**

(22) Filed: **Sep. 4, 2012**

(51) **LOC (9) Cl.** ..... **19-02**

(52) **U.S. Cl.**  
USPC ..... **D19/75**

(58) **Field of Classification Search**  
USPC ..... D3/304, 306, 313, 314, 315; D6/675.2,  
D6/683, 683.1, 705.6; D7/553.2, 553.3,  
D7/553.6, 553.7, 554.2, 554.3, 637; D19/75,  
D19/77-92; 206/214, 425, 449, 558, 371;  
211/10, 11, 45, 50, 55, 69.1-69.9, 126.1;  
220/485, 607

See application file for complete search history.

(56) **References Cited**

**U.S. PATENT DOCUMENTS**

D276,444 S *	11/1984	Battle	.....	D19/75
4,530,479 A *	7/1985	Chen	.....	248/309.1
D321,011 S *	10/1991	Blossom	.....	D19/78
D347,512 S *	5/1994	Yoshikawa	.....	D3/304
D362,780 S *	10/1995	Hampshire	.....	D6/567
D379,890 S *	6/1997	Hampshire	.....	D6/525
D388,993 S *	1/1998	Hampshire	.....	D6/567
D416,416 S *	11/1999	Kelso et al.	.....	D6/525
D420,322 S *	2/2000	Hampshire	.....	D12/425
6,082,573 A *	7/2000	Hofman et al.	.....	220/480
D457,566 S *	5/2002	Slater et al.	.....	D19/77
D473,592 S *	4/2003	Hardy et al.	.....	D19/78

D477,636 S	7/2003	Chen	
D477,848 S	7/2003	Chen	
D483,587 S *	12/2003	Snell	..... D6/525
D511,546 S	11/2005	Trombly	
D512,255 S *	12/2005	Snell	..... D6/567
D581,982 S	12/2008	Bhavnani	
D628,386 S	12/2010	Kohn	
D633,717 S	3/2011	Searcy	
D634,546 S	3/2011	Horwitz	
D641,191 S *	7/2011	Walker	..... D6/525
D650,202 S	12/2011	Klein et al.	
D650,862 S	12/2011	Chuang	
D653,603 S	2/2012	Stroud et al.	
D655,346 S	3/2012	Tsai	
D659,399 S	5/2012	Kraemer	
D659,400 S	5/2012	Kraemer	
D661,096 S	6/2012	Dretzka	
D661,487 S	6/2012	Kraemer	
D661,488 S	6/2012	Kraemer	
D661,489 S	6/2012	Kraemer	
D665,843 S	8/2012	Chuang	
D665,844 S	8/2012	Chuang	

\* cited by examiner

*Primary Examiner* — Elizabeth Albert

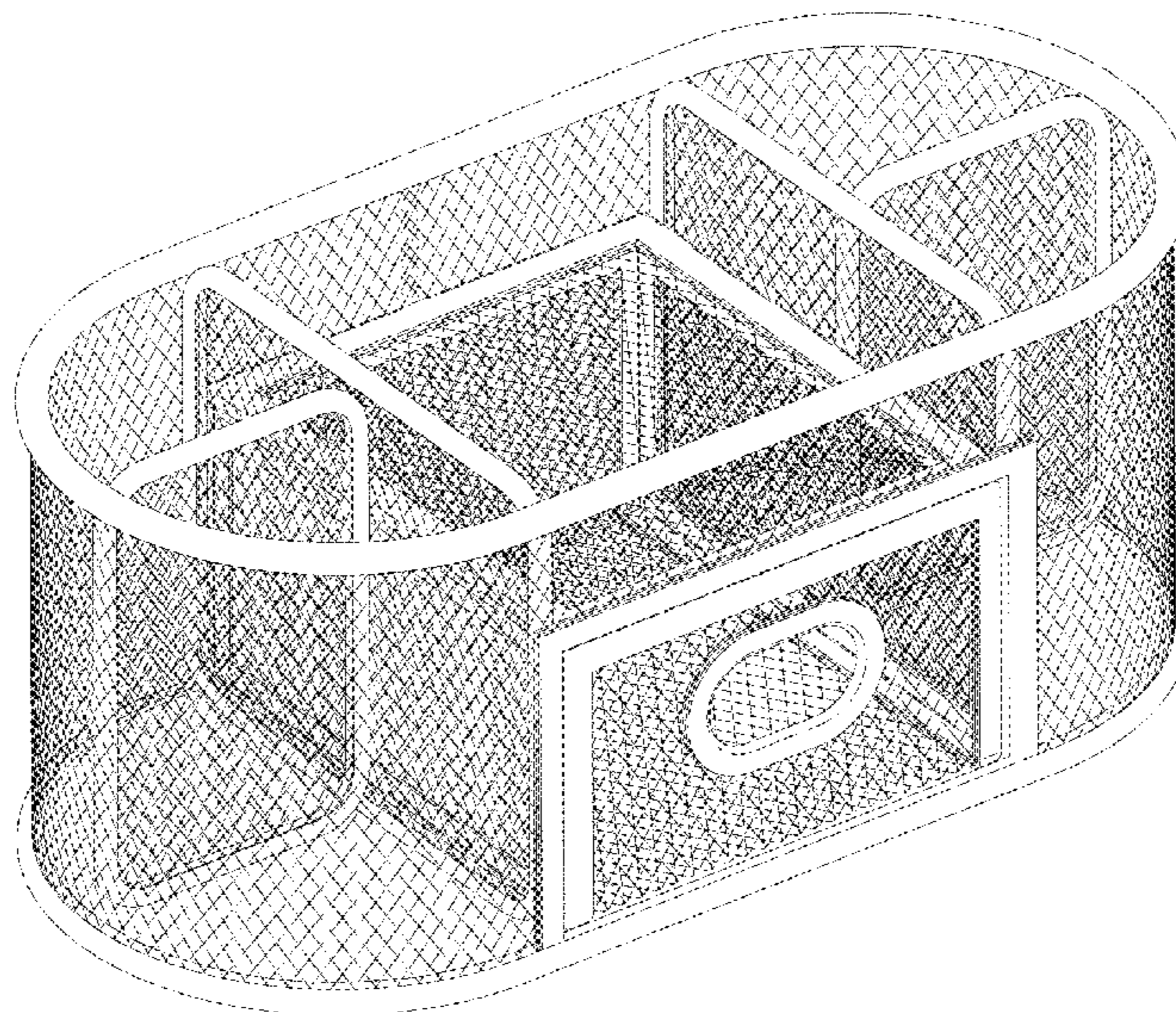
(57) **CLAIM**

The ornamental design for an organizer, as shown and described.

**DESCRIPTION**

FIG. 1 is a perspective view of organizer showing my design. FIG. 2 is a front view thereof; FIG. 3 is a bottom view thereof; FIG. 4 is a top view thereof; FIG. 5 is a rear side view thereof; FIG. 6 is a left side view thereof; and, FIG. 7 is a right side view thereof.

**1 Claim, 7 Drawing Sheets**





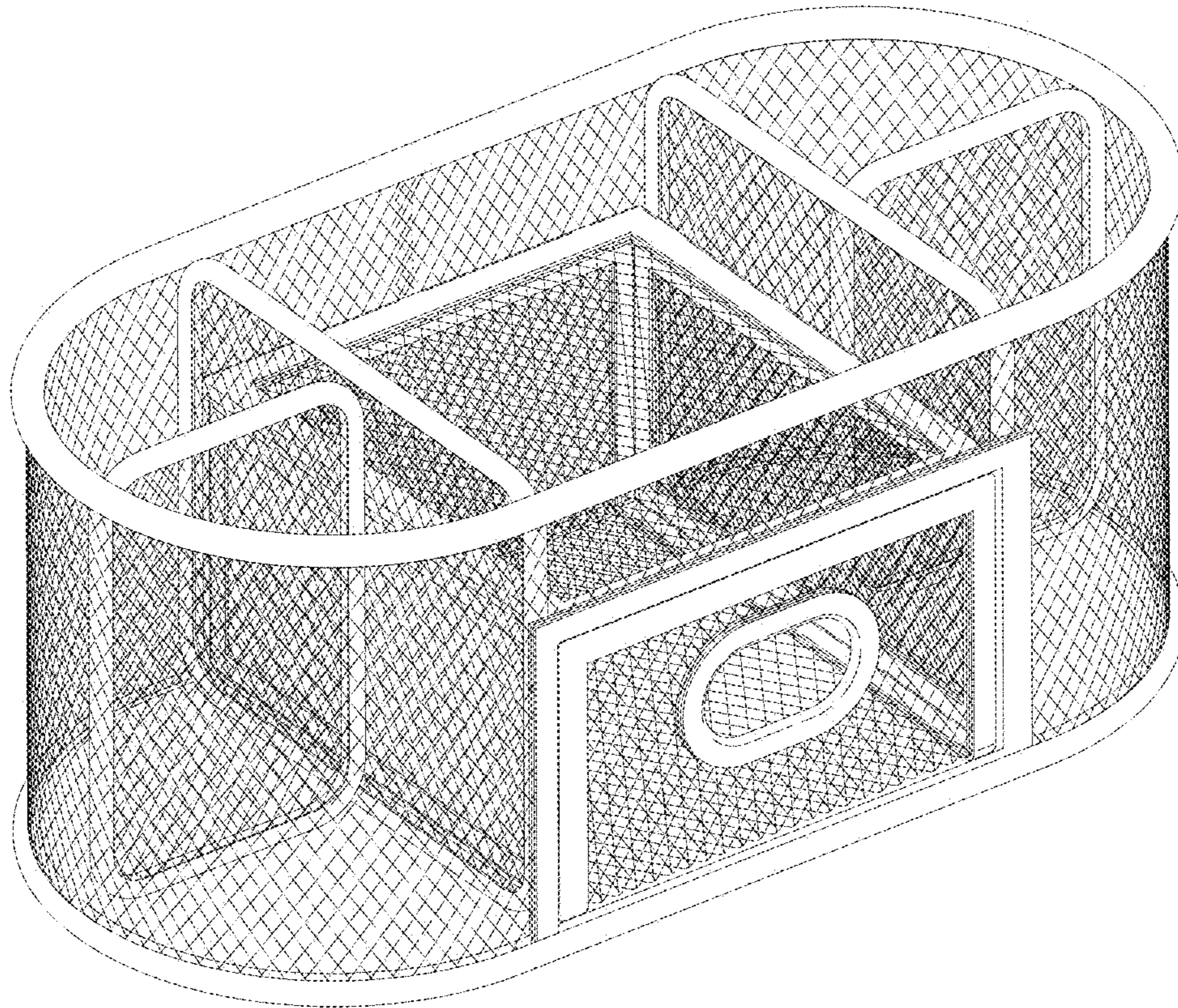


FIG.1



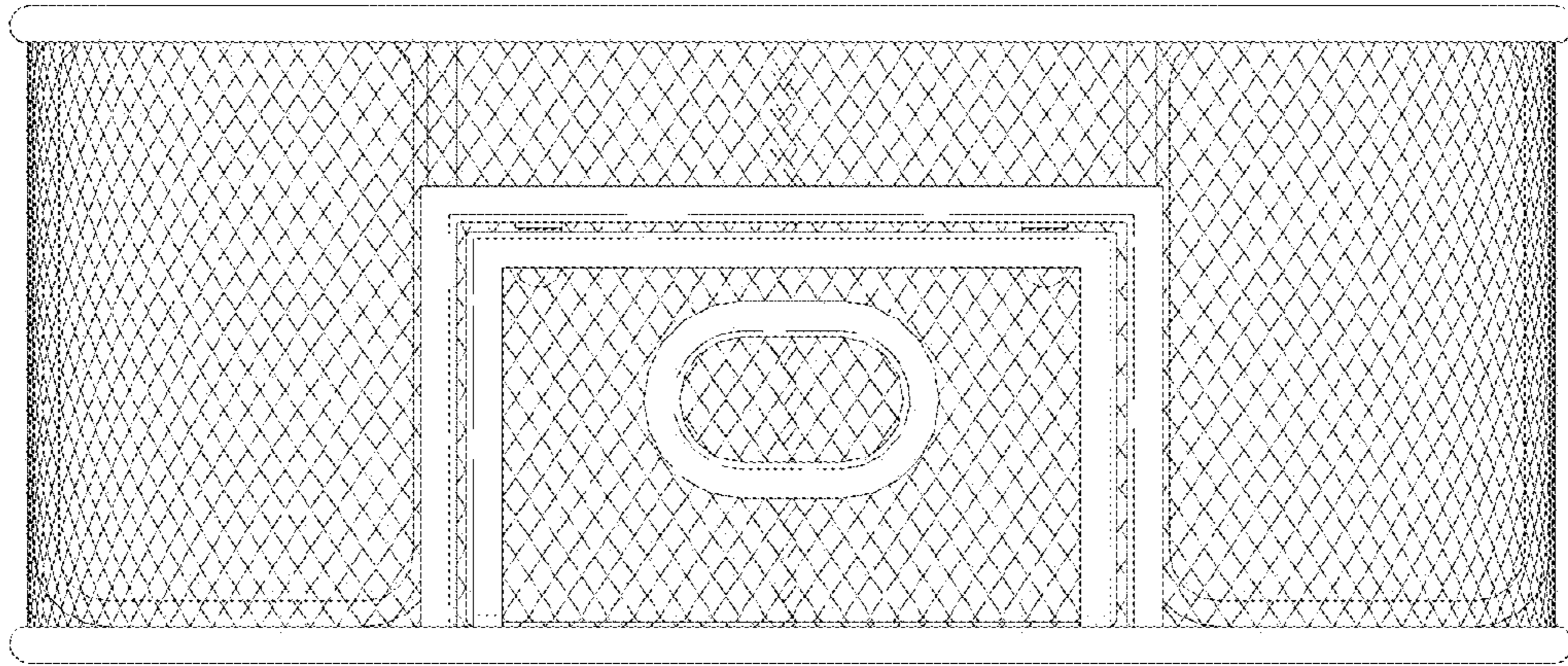


FIG.2

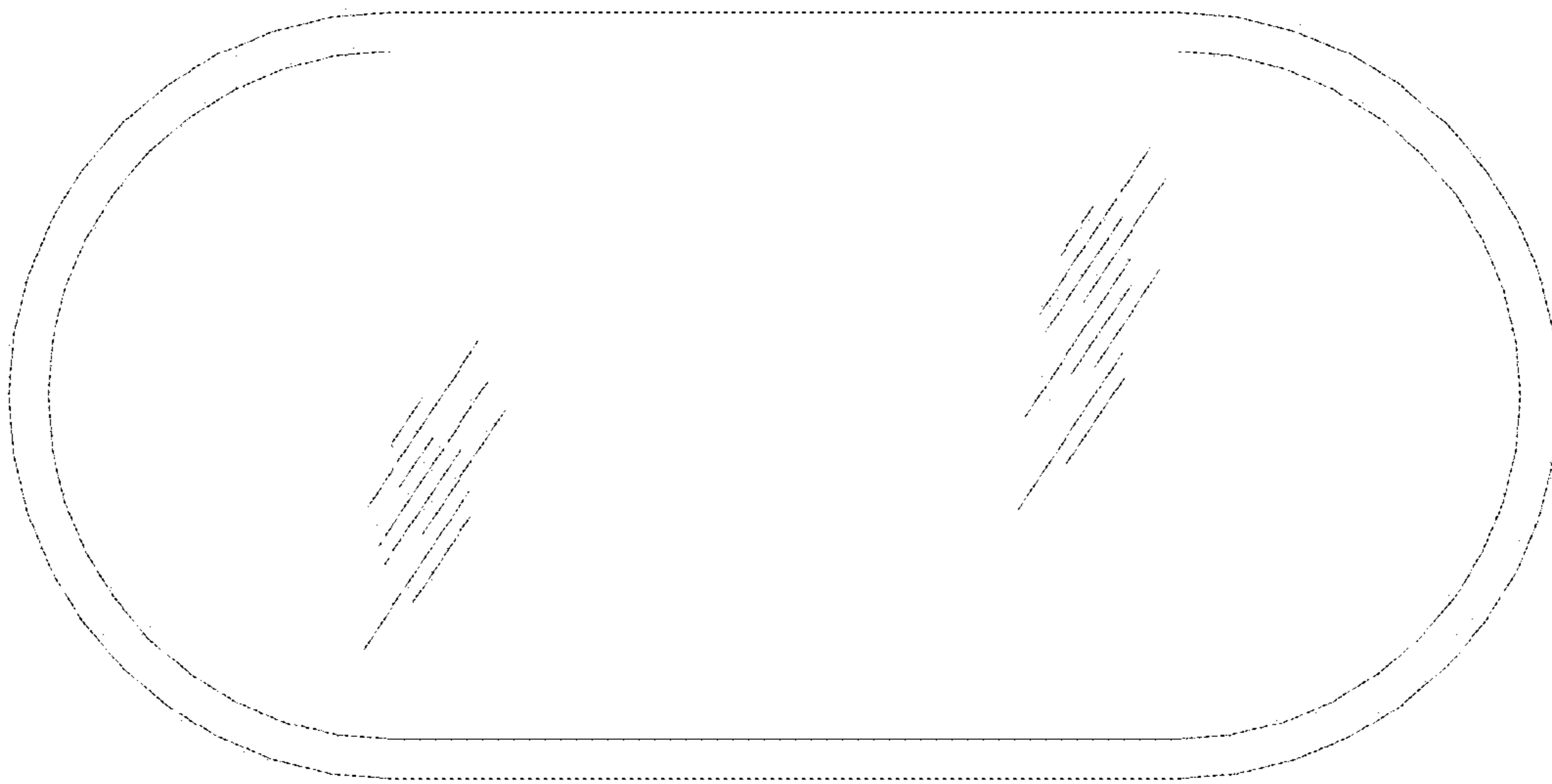


FIG.3

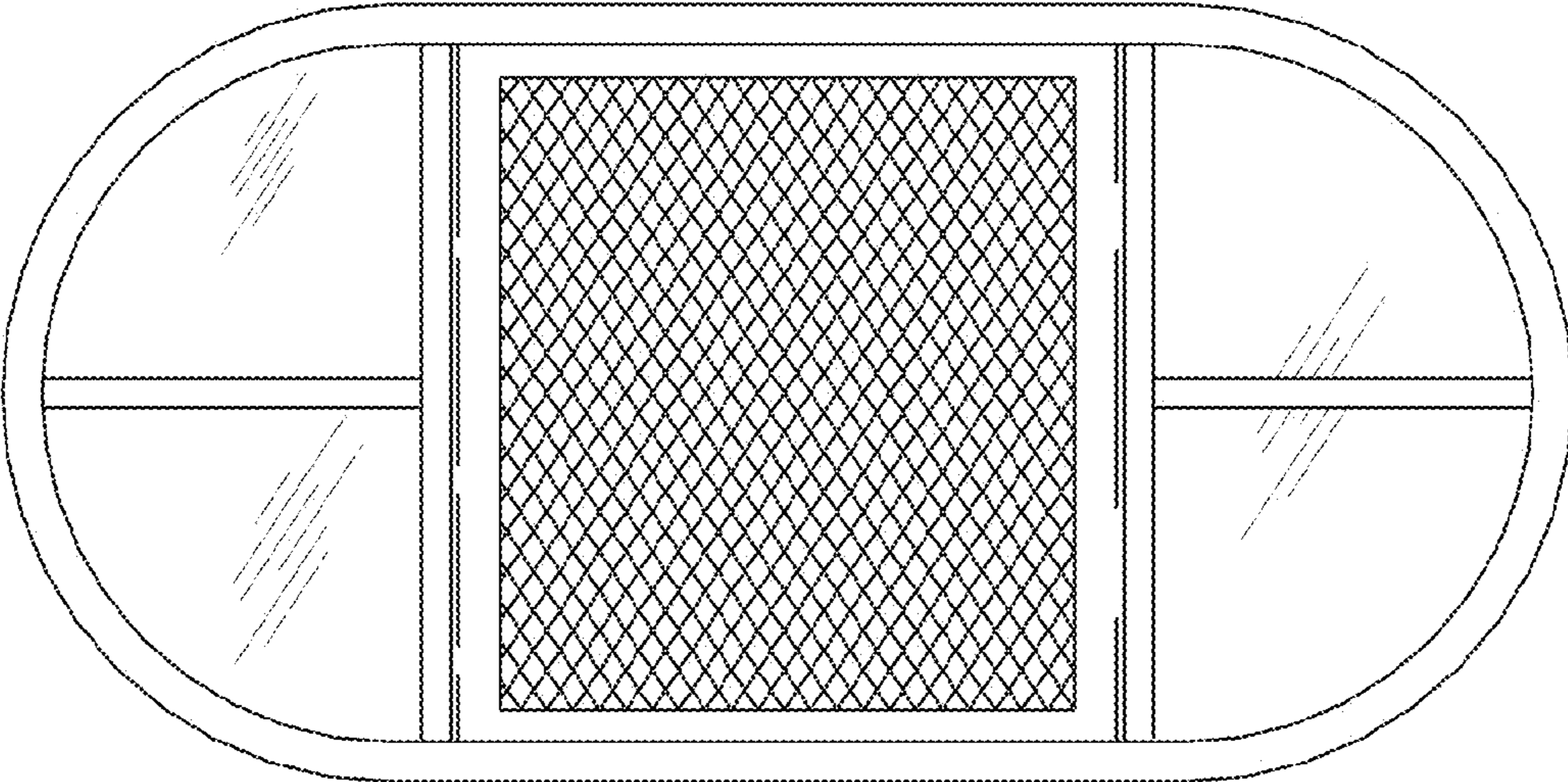


FIG. 4

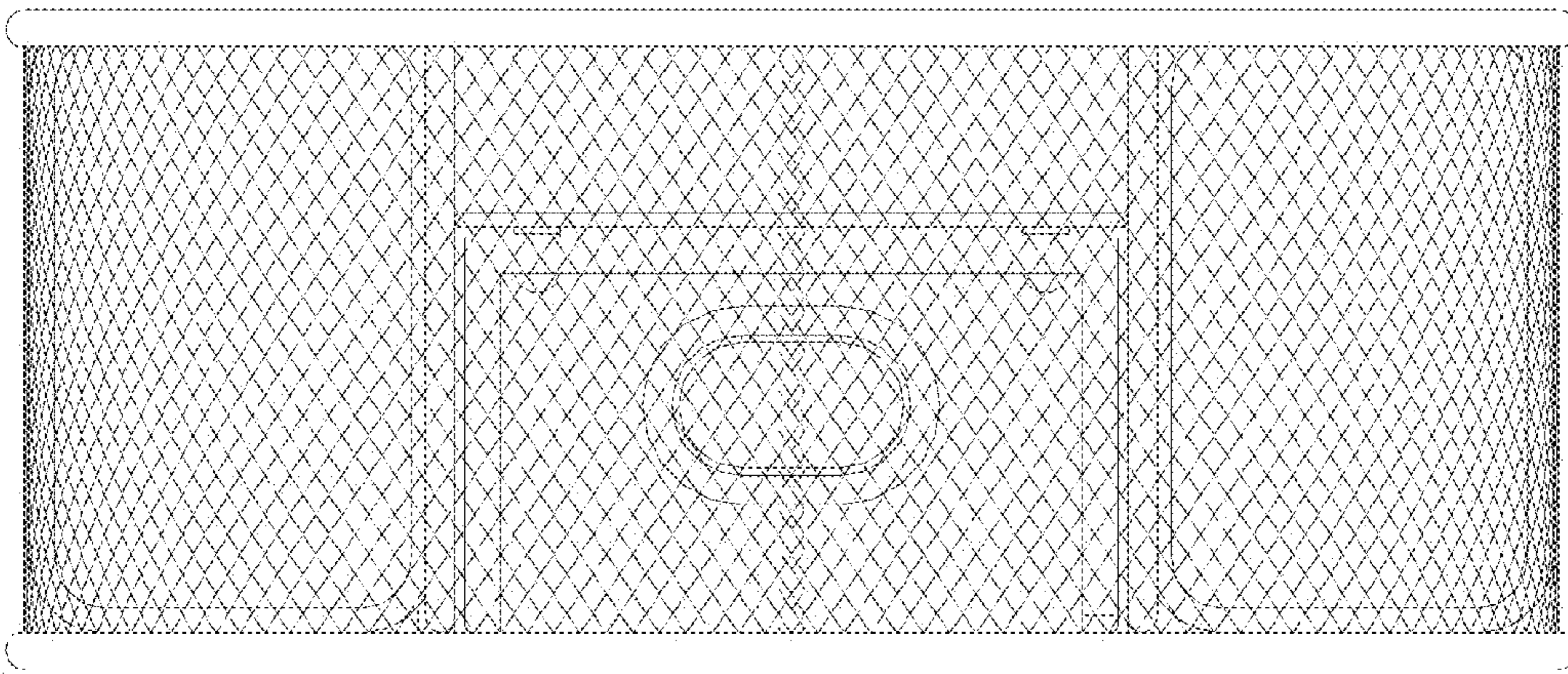


FIG.5



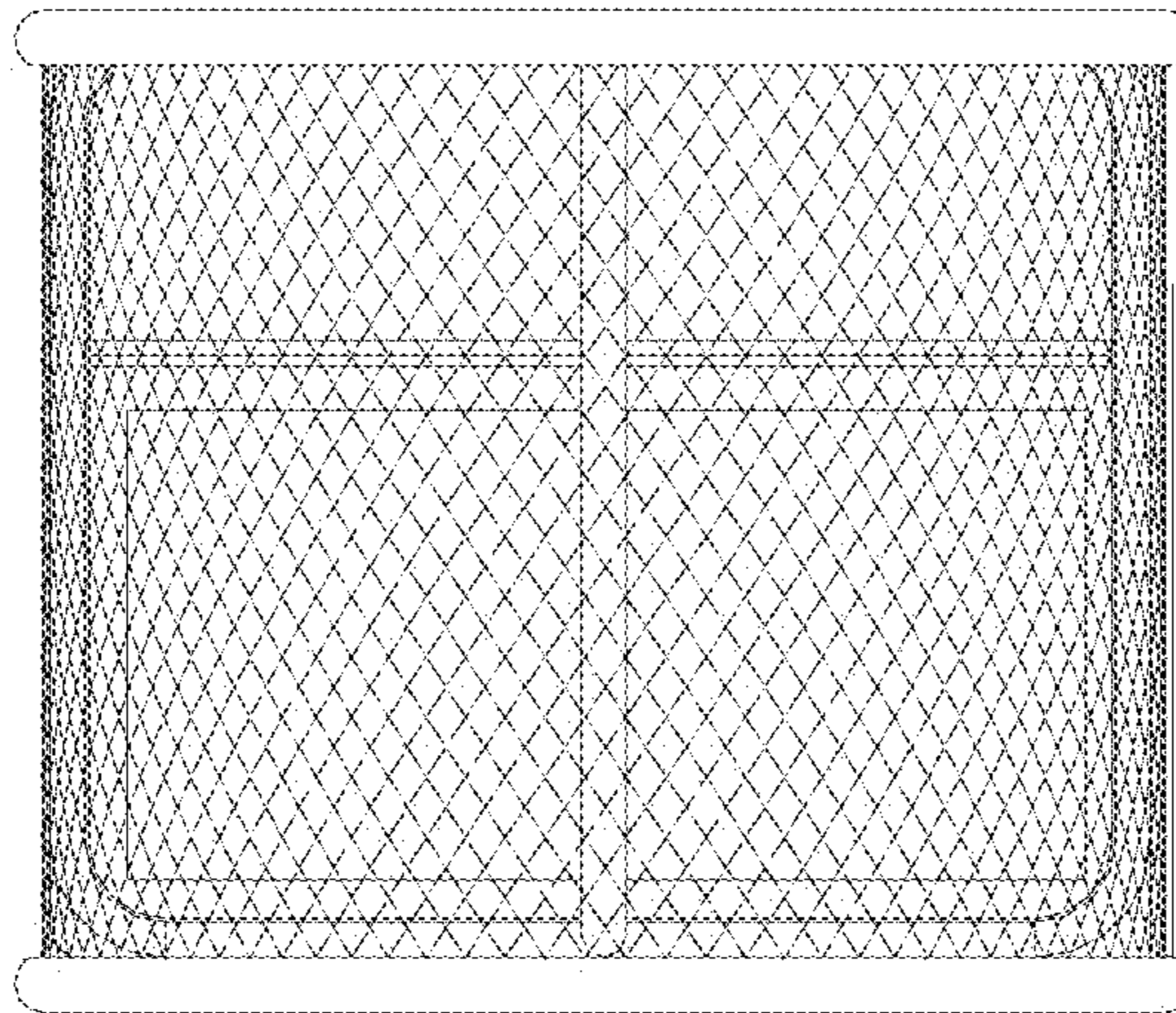


FIG.6

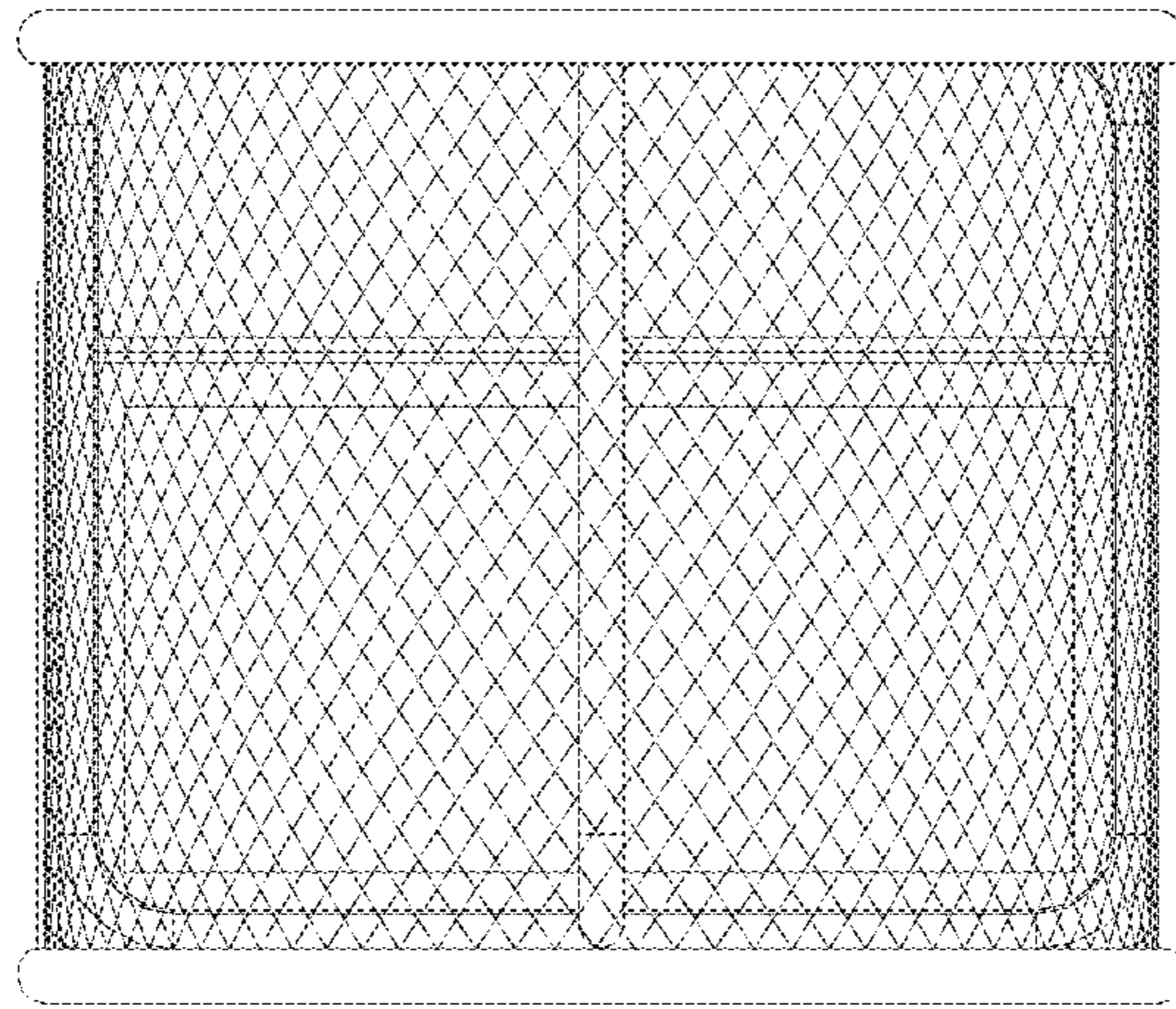


FIG. 7