



US00D689936S

(12) **United States Design Patent**
Jiang

(10) **Patent No.:** **US D689,936 S**

(45) **Date of Patent:** **** Sep. 17, 2013**

(54) **PEN**

(75) **Inventor:** **Linghua Jiang, Ningbo (CN)**

(73) **Assignee:** **Beifa Group Co., Ltd., Ningbo (CN)**

(**) **Term:** **14 Years**

(21) **Appl. No.:** **29/426,527**

(22) **Filed:** **Jul. 6, 2012**

(30) **Foreign Application Priority Data**

Jan. 6, 2012 (CN) 2012 3 0002738

(51) **LOC (9) Cl.** **19-06**

(52) **U.S. Cl.**

USPC **D19/48**

(58) **Field of Classification Search**

USPC D14/411; D19/35, 36, 41-51, 53-58;
24/11 F, 11 P, 11 R; 401/52, 99-109, 192,
401/195, 196

See application file for complete search history.

(56) **References Cited**

U.S. PATENT DOCUMENTS

D102,720 S *	1/1937	Larsen	D19/48
D124,230 S *	12/1940	Dreyfuss	D19/51
D150,320 S *	7/1948	Starr	D19/51
D151,658 S *	11/1948	Sams	D19/48
D262,463 S *	12/1981	Delcroix	D19/51
D270,843 S *	10/1983	Itoh	D19/51
D323,189 S *	1/1992	Tu	D19/48
D324,067 S *	2/1992	Katami	D19/48
D324,072 S *	2/1992	von Edler et al.	D19/51
D324,237 S *	2/1992	Gomez	D19/48
D329,461 S *	9/1992	Katami	D19/51
D339,378 S	9/1993	Verhaegue		
D355,440 S	2/1995	Lin		

D355,441 S *	2/1995	Rosenbaum	D19/51
D359,982 S	7/1995	Rosenbaum		
D359,983 S	7/1995	Rosenbaum		
D383,494 S *	9/1997	Polenberg	D19/48
D395,919 S *	7/1998	Rosenbaum	D19/51
D401,275 S *	11/1998	Otake	D19/43
D463,492 S	9/2002	Kramer		
D484,186 S *	12/2003	Monti	D19/43
D485,299 S	1/2004	Bodino		
D567,288 S *	4/2008	Keil	D19/50
D569,906 S *	5/2008	Cetera	D19/48
D594,060 S *	6/2009	Uchida et al.	D19/49
D655,340 S	3/2012	Liu		
2012/0308290 A1 *	12/2012	Ito	401/104

OTHER PUBLICATIONS

Liu, L., "Pen," U.S. Appl. No. 29/423,170, filed May 29, 2012.

* cited by examiner

Primary Examiner — Elizabeth Albert

(74) *Attorney, Agent, or Firm* — Christensen O'Connor Johnson Kindness PLLC

(57) **CLAIM**

The ornamental design for a pen, as shown and described.

DESCRIPTION

FIG. 1 is an upper front right perspective view of a pen showing my new design;

FIG. 2 is a front elevation view thereof;

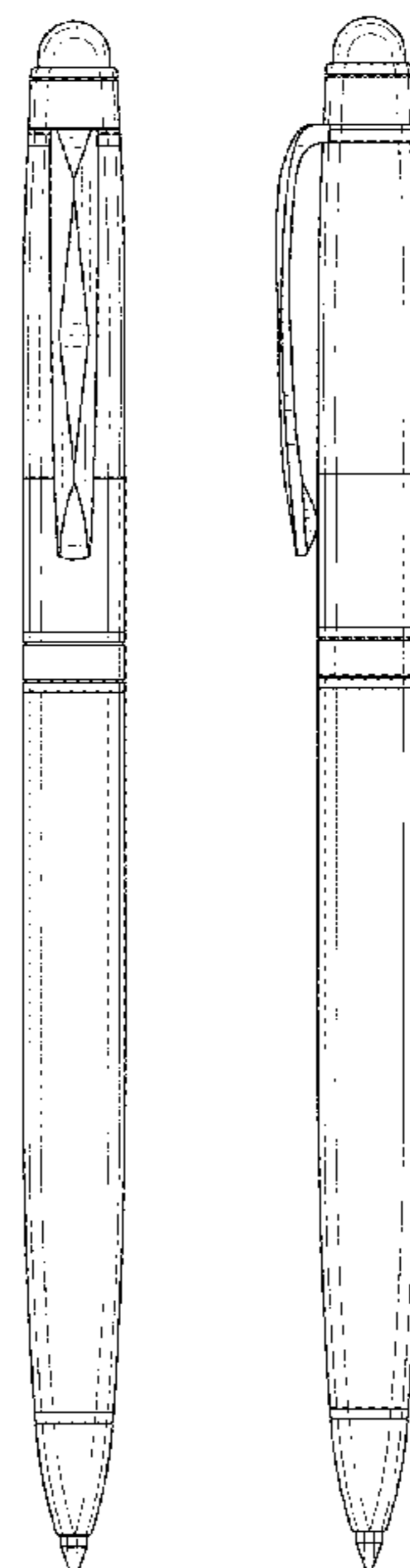
FIG. 3 is a rear elevation view thereof;

FIG. 4 is a right side elevation view thereof, with the left side elevation view being a mirror image of the right side elevation view;

FIG. 5 is an enlarged top plan view thereof; and,

FIG. 6 is an enlarged bottom plan view thereof.

1 Claim, 3 Drawing Sheets



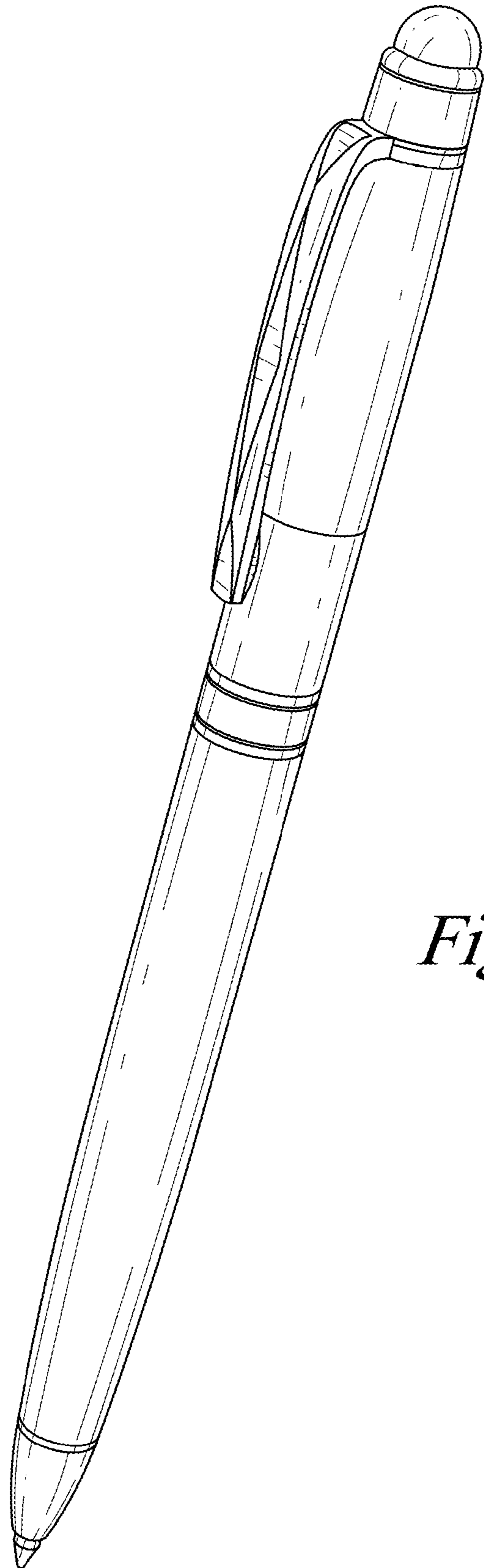


Fig. 1.

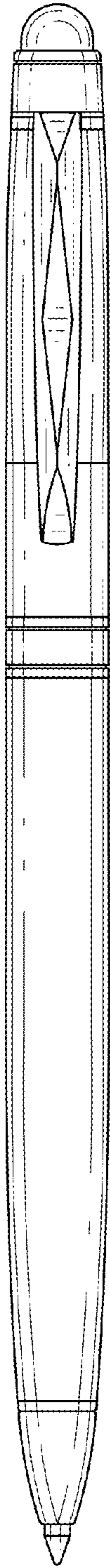


Fig. 2.

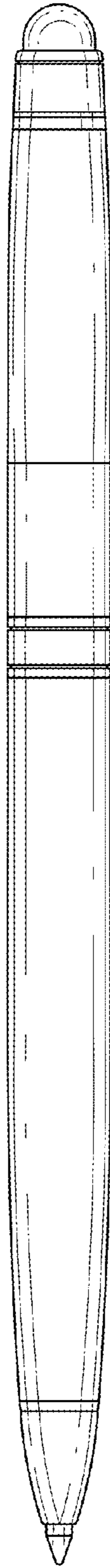


Fig. 3.

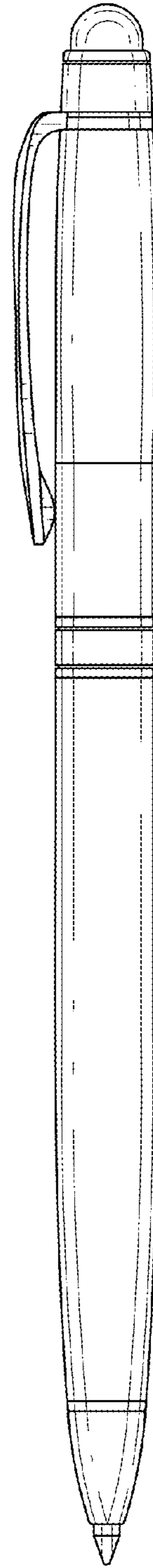


Fig. 4.

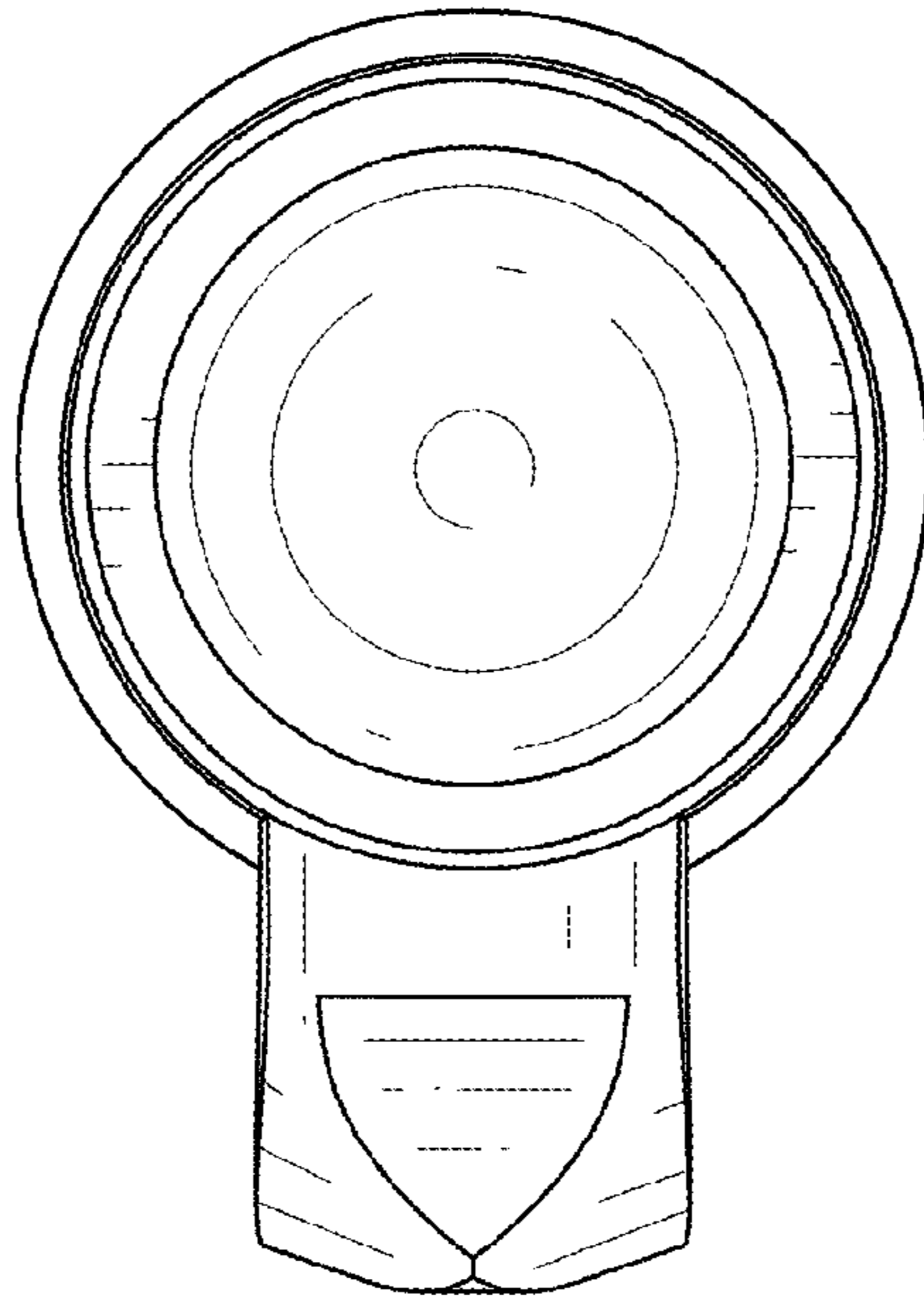


Fig. 5.

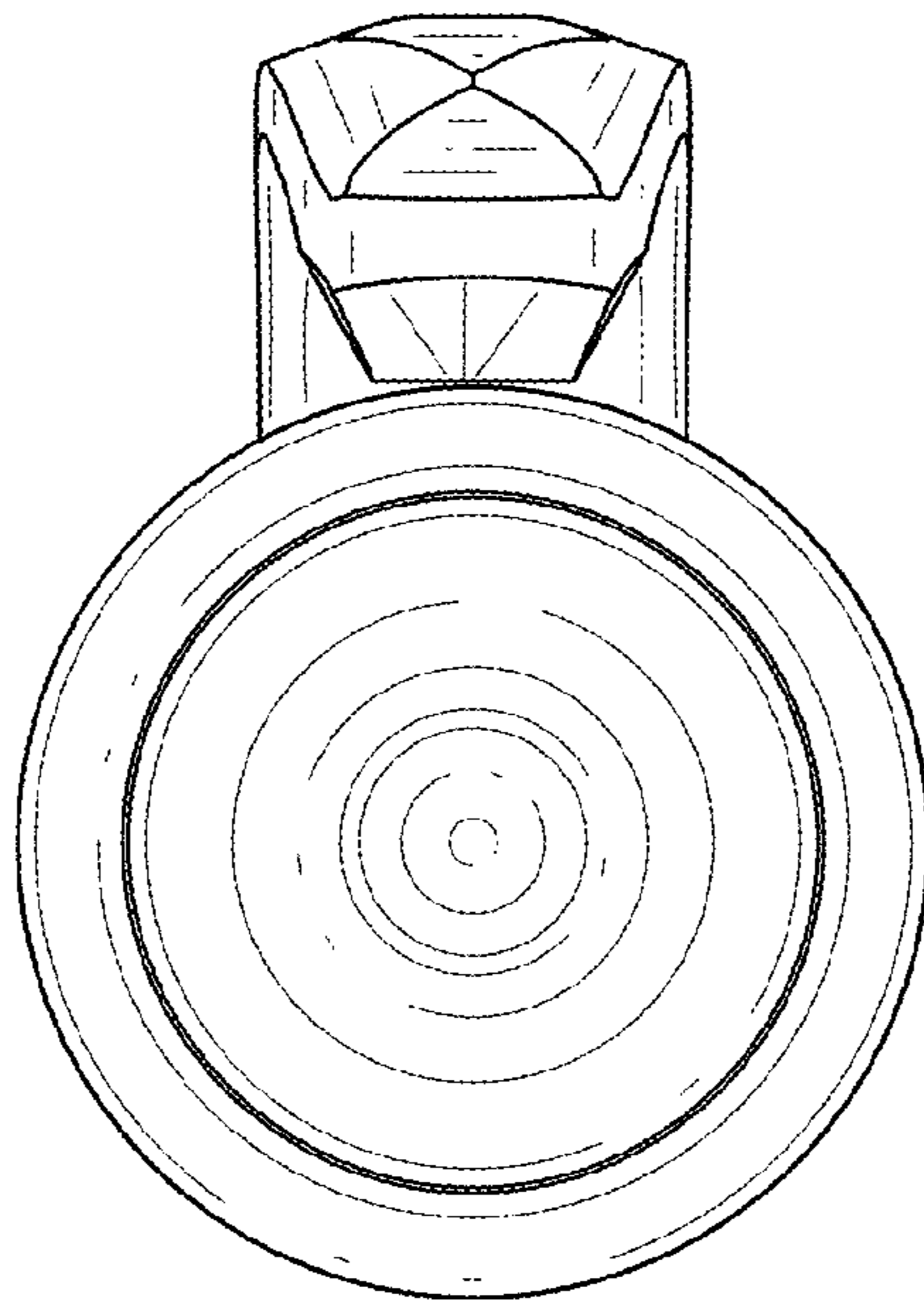


Fig. 6.