



US00D689935S

(12) **United States Design Patent**
Li

(10) **Patent No.:** **US D689,935 S**

(45) **Date of Patent:** **** Sep. 17, 2013**

(54) **PEN**

(75) **Inventor:** **Bin Li, Ningbo (CN)**

(73) **Assignee:** **Beifa Group Co., Ltd., Ningbo (CN)**

(**) **Term:** **14 Years**

(21) **Appl. No.:** **29/426,208**

(22) **Filed:** **Jul. 2, 2012**

(30) **Foreign Application Priority Data**

Dec. 31, 2011 (CN) 2011 3 0508137

(51) **LOC (9) Cl.** **19-06**

(52) **U.S. Cl.**
USPC **D19/48**

(58) **Field of Classification Search**
USPC D14/411; D19/35, 36, 41-51, 53-58;
24/11 F, 11 P, 11 R; 401/52, 99-109, 192,
401/195, 196
See application file for complete search history.

(56) **References Cited**

U.S. PATENT DOCUMENTS

D394,455 S	5/1998	Izushima	
D400,580 S	11/1998	Schmidt	
D401,624 S	11/1998	Sakuno	
D401,967 S	12/1998	Tam	
D402,693 S	12/1998	Sunaga	
D402,695 S	12/1998	Izushima	
D410,681 S	6/1999	Izushima	
D425,559 S	5/2000	Beneyto	
D433,704 S	11/2000	Kouda	
D437,352 S	2/2001	Matsuzaki	
D441,015 S	4/2001	Izushima	
D442,225 S *	5/2001	Lewis, Jr.	D19/47
D453,187 S	1/2002	Keda	
D474,241 S	5/2003	Hasegawa	
D480,758 S	10/2003	Keda	
D506,499 S	6/2005	Qiu	

D506,502 S	6/2005	Qiu	
D546,882 S *	7/2007	Qiu	D19/50
D559,313 S *	1/2008	Qiu et al.	D19/48
D559,318 S *	1/2008	Qiu et al.	D19/51
D562,392 S *	2/2008	Qiu et al.	D19/50
D563,473 S	3/2008	Qiu	
D571,400 S *	6/2008	Anand	D19/49
D575,338 S	8/2008	Shimizu	
D577,383 S	9/2008	Loesel	
D589,088 S *	3/2009	Li	D19/50
D589,559 S *	3/2009	Slemp	D19/51
D595,353 S	6/2009	Li	
D631,913 S *	2/2011	Li	D19/48
D646,716 S	10/2011	Losel	
D648,387 S *	11/2011	Liang	D19/50

(Continued)

FOREIGN PATENT DOCUMENTS

EM	000559851-0002	A1	10/2006
EM	000903844-0001	A1	4/2008

Primary Examiner — Elizabeth Albert

(74) *Attorney, Agent, or Firm* — Christensen O'Connor Johnson Kindness PLLC

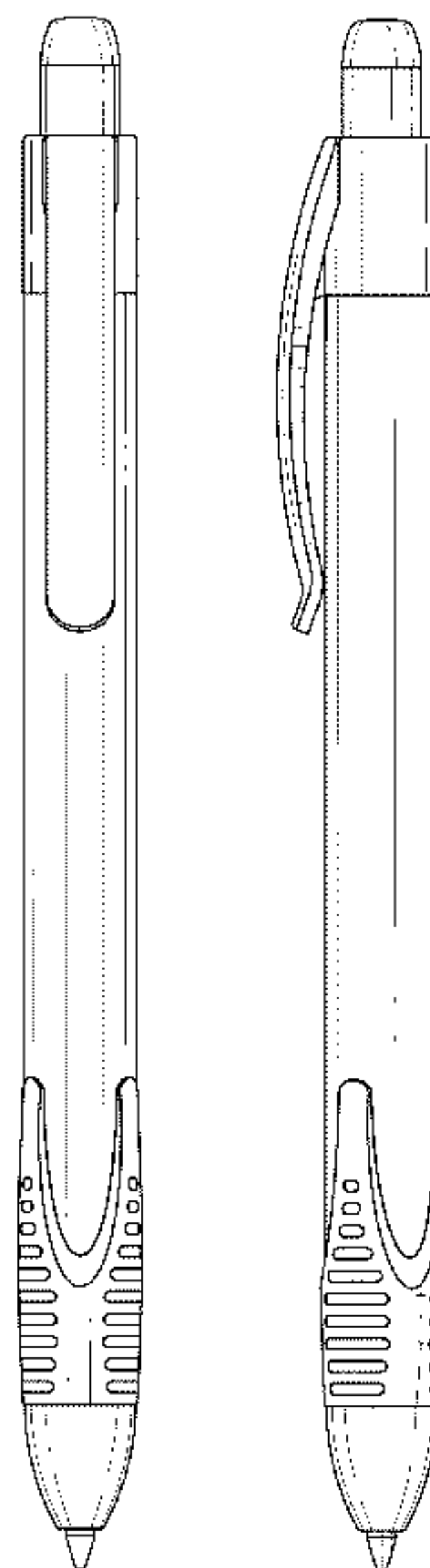
(57) **CLAIM**

The ornamental design for a pen, as shown and described.

DESCRIPTION

FIG. 1 is an upper front right perspective view of a pen showing my new design;
FIG. 2 is a front elevation view thereof;
FIG. 3 is a rear elevation view thereof;
FIG. 4 is a right side elevation view thereof, with the left side elevation view being a minor image of the right side elevation view;
FIG. 5 is an enlarged top plan view thereof; and,
FIG. 6 is an enlarged bottom plan view thereof.
The broken lines shown in FIGS. 1 and 5 illustrate environmental subject matter and form no part of the claimed design.

1 Claim, 3 Drawing Sheets



US D689,935 S

Page 2

(56)

References Cited

U.S. PATENT DOCUMENTS

D648,791 S 11/2011 Li
D664,594 S 7/2012 Casciotti
D666,672 S 9/2012 Zhang

D672,813 S * 12/2012 Zhang D19/50
D672,816 S * 12/2012 Li D19/51
D679,323 S * 4/2013 Jiang D19/48
D683,400 S * 5/2013 Xie D19/48

* cited by examiner

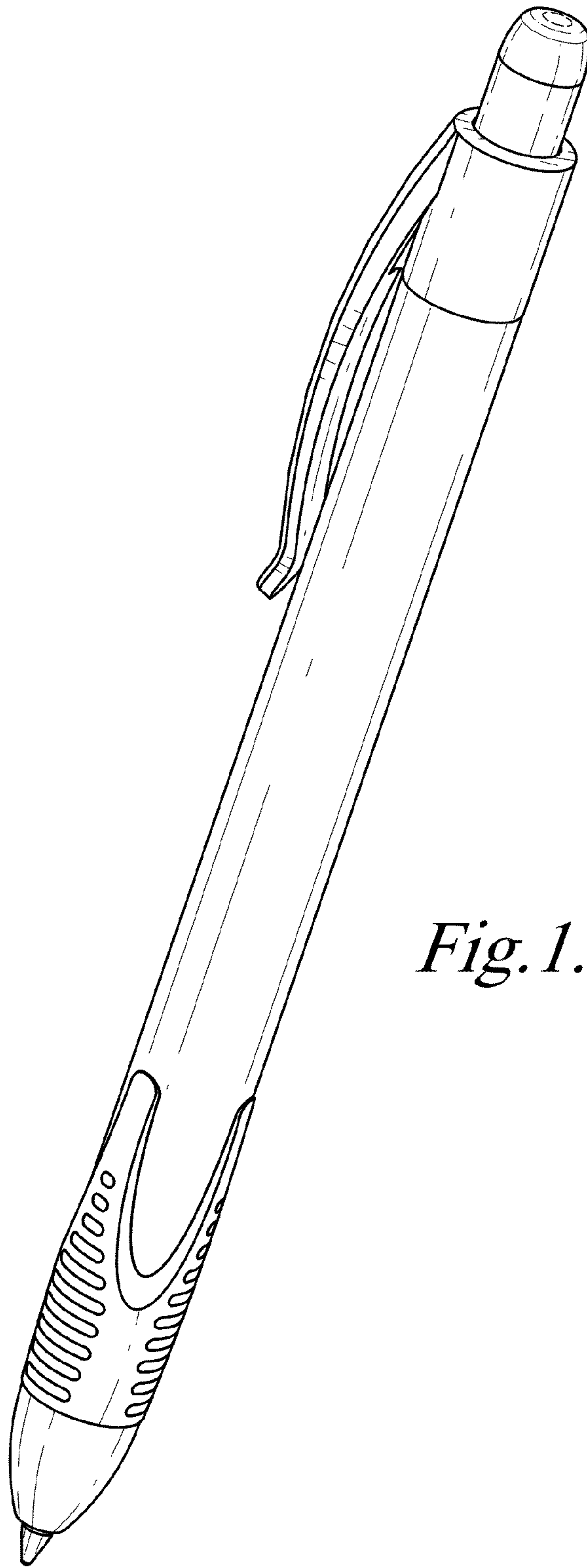


Fig. 1.

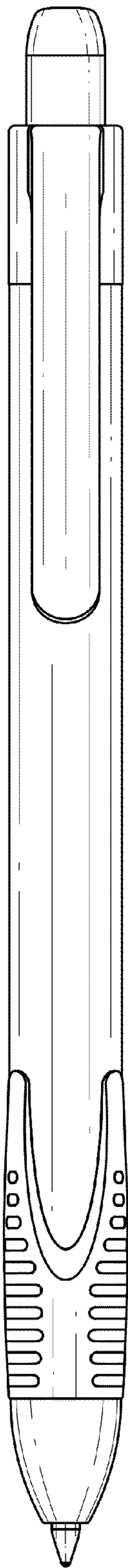


Fig. 2.

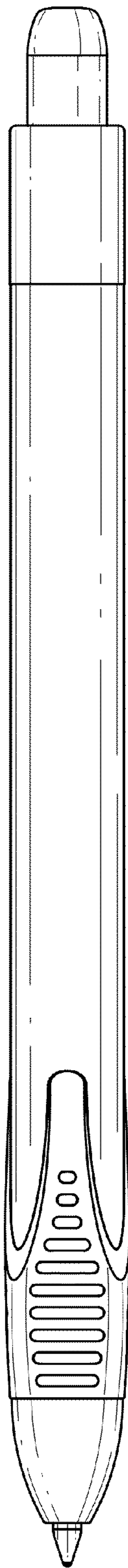


Fig. 3.

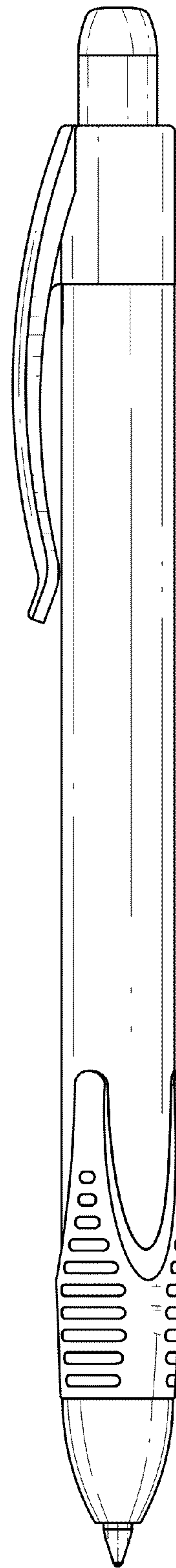


Fig. 4.

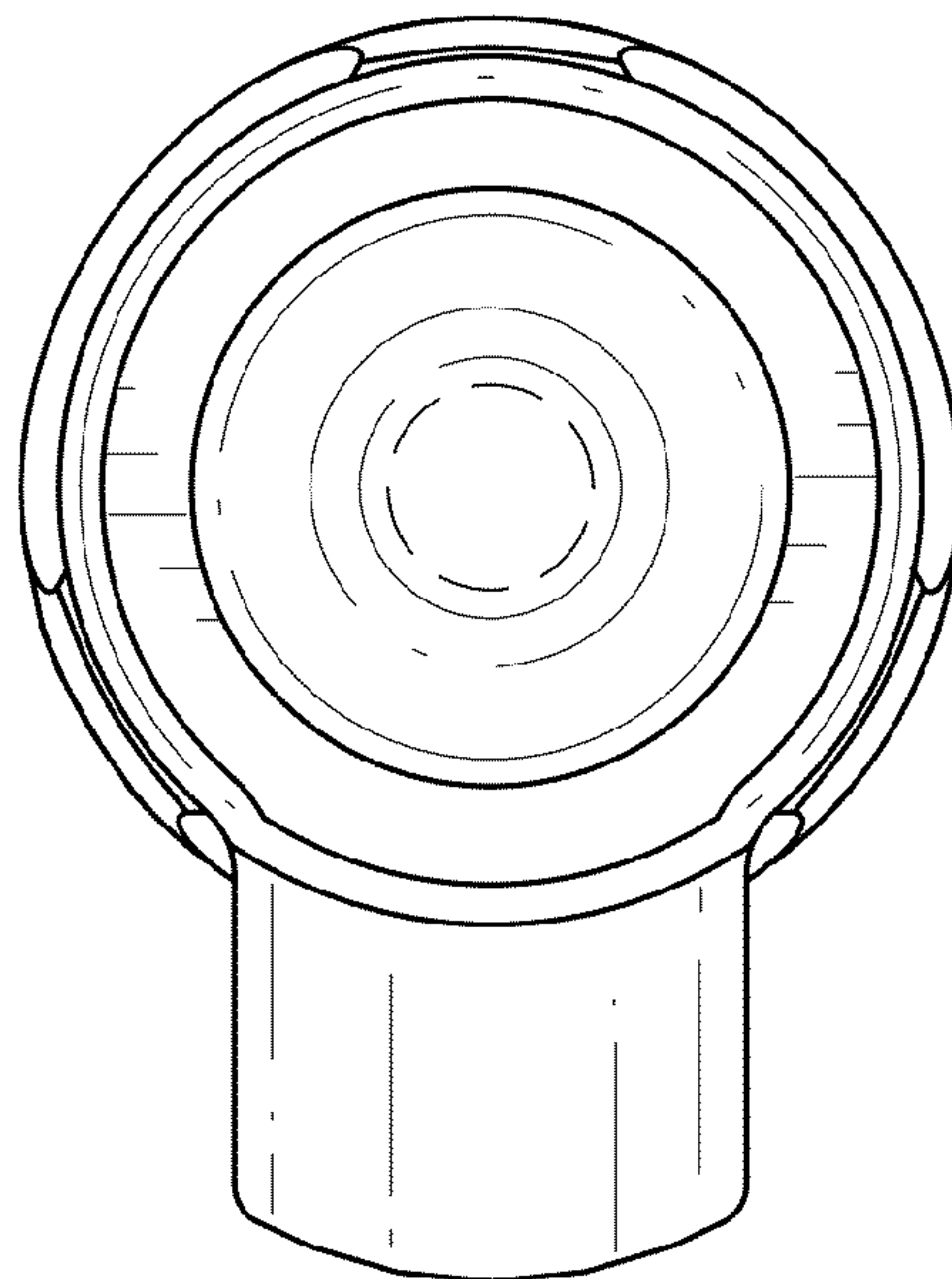


Fig. 5.

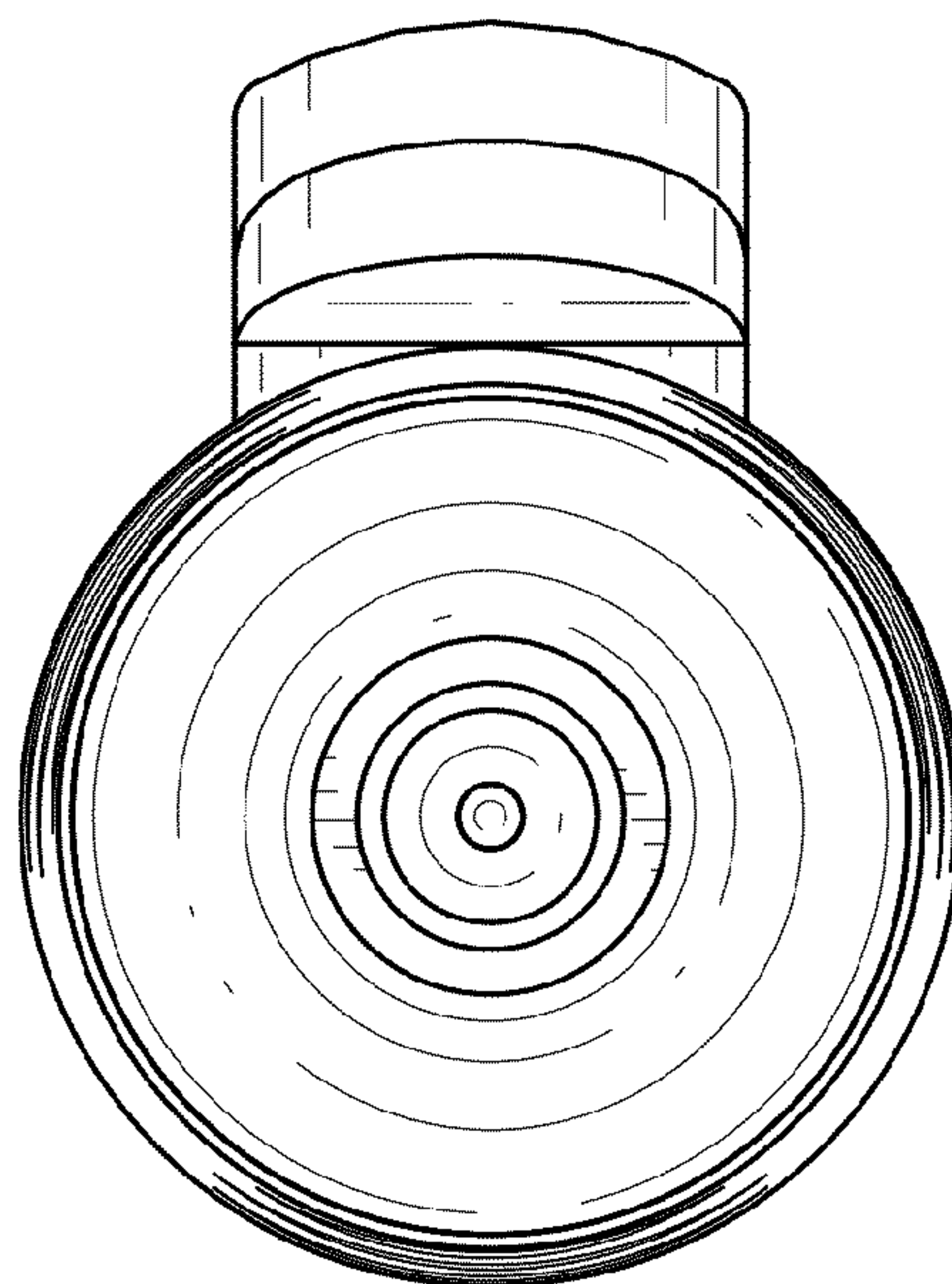


Fig. 6.

UNITED STATES PATENT AND TRADEMARK OFFICE
CERTIFICATE OF CORRECTION

PATENT NO. : D689,935 S
APPLICATION NO. : 29/426208
DATED : September 17, 2013
INVENTOR(S) : B. Li

Page 1 of 1

It is certified that error appears in the above-identified patent and that said Letters Patent is hereby corrected as shown below:

COLUMN

LINE

Title Page

item (57)

Pg. 1, col. 2

Description

6 of text

“a minor image” should read

--a mirror image--

Signed and Sealed this
Sixth Day of May, 2014



Michelle K. Lee

Deputy Director of the United States Patent and Trademark Office