



US00D689933S

(12) **United States Design Patent**  
**Li**

(10) **Patent No.:** **US D689,933 S**

(45) **Date of Patent:** **\*\* Sep. 17, 2013**

(54) **PEN**

(75) **Inventor:** **Bin Li, Ningbo (CN)**

(73) **Assignee:** **Beifa Group Co., Ltd., Ningbo (CN)**

(\*\*) **Term:** **14 Years**

(21) **Appl. No.:** **29/423,171**

(22) **Filed:** **May 29, 2012**

(30) **Foreign Application Priority Data**

Nov. 29, 2011 (CN) ..... 2011 3 0446416

(51) **LOC (9) Cl.** ..... **19-06**

(52) **U.S. Cl.**  
USPC ..... **D19/48**

(58) **Field of Classification Search**  
USPC ..... D14/411; D19/35, 36, 41-51, 54-58;  
24/11 F, 11 P, 11 R; 401/52, 99-109, 192,  
401/195, 196  
See application file for complete search history.

(56) **References Cited**

**U.S. PATENT DOCUMENTS**

D57,397 S	3/1921	Taussig	
D64,772 S	5/1924	Swanberg	
D258,219 S	2/1981	Oka	
D269,189 S	5/1983	Sakaoka	
D286,789 S	11/1986	Thompson	
D288,825 S	3/1987	Thompson	
D289,304 S	4/1987	Giugiaro	
D306,458 S	3/1990	Lecce	
D363,739 S	10/1995	Petrillo	
D401,624 S	11/1998	Sakuno	
D406,604 S	3/1999	Andrews	
D407,114 S	3/1999	Sakuno	
D413,926 S	9/1999	Polidoro	
D425,559 S *	5/2000	Beneyto	D19/51
D430,607 S	9/2000	Matsuzaki	
D437,352 S	2/2001	Matsuzaki	

D453,354 S	2/2002	Ikenaga	
D500,792 S	1/2005	Bain	
D523,081 S *	6/2006	Pellissa Beneyto	D19/51
D540,386 S *	4/2007	Qiu	D19/51
D542,844 S	5/2007	Qiu	
D548,791 S	8/2007	Santa Maria	
D557,744 S	12/2007	Lecce	
D589,559 S *	3/2009	Slemp	D19/51
D596,228 S *	7/2009	Koch	D19/41
D611,538 S *	3/2010	Zhou	D19/51
D623,224 S *	9/2010	Hsu	D19/48
D626,995 S	11/2010	Ikeda	
D628,637 S *	12/2010	Xiao	D19/48
D628,638 S	12/2010	Zhano	
D628,639 S	12/2010	Wang	
D633,943 S *	3/2011	Stukenkemper	D19/51

(Continued)

**OTHER PUBLICATIONS**

Fei, Y., "Pen," U.S. Appl. No. 29/298,536, filed Dec. 6, 2007.

(Continued)

*Primary Examiner* — Elizabeth Albert  
(74) *Attorney, Agent, or Firm* — Christensen O'Connor Johnson Kindness PLLC

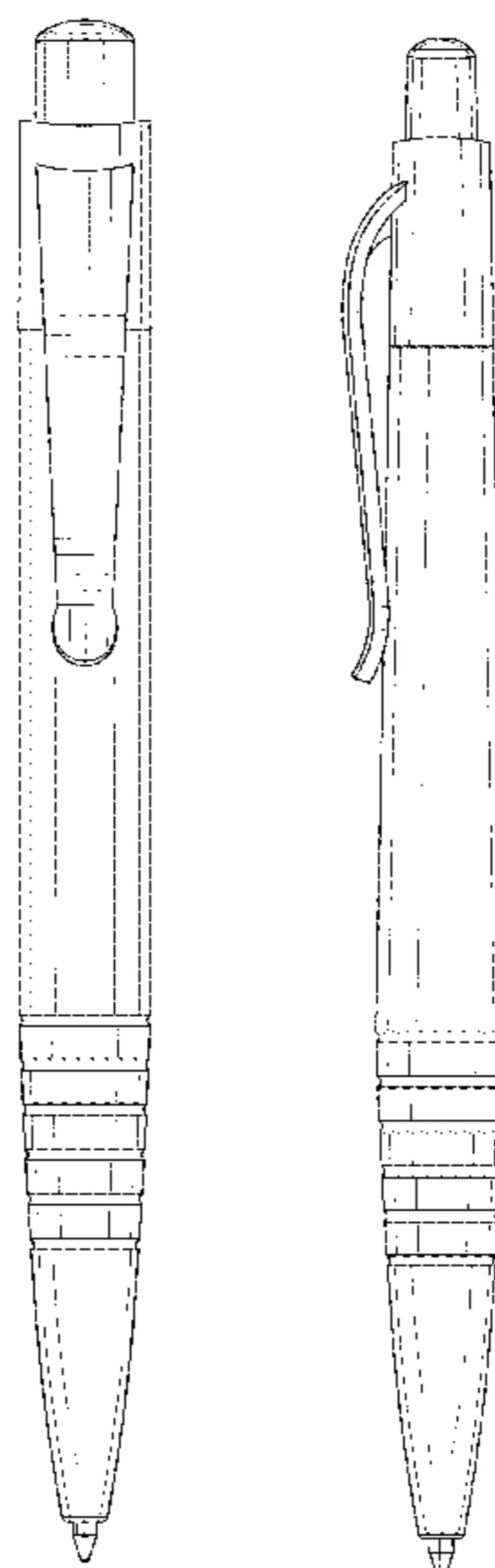
(57) **CLAIM**

The ornamental design for a pen, as shown and described.

**DESCRIPTION**

FIG. 1 is an upper front right perspective view of a pen showing my new design;  
FIG. 2 is a front elevation view thereof;  
FIG. 3 is a rear elevation view thereof;  
FIG. 4 is a right side elevation view thereof, with the left side elevation view being a mirror image of the right side elevation view;  
FIG. 5 is an enlarged top plan view thereof; and,  
FIG. 6 is an enlarged bottom plan view thereof.

**1 Claim, 3 Drawing Sheets**



(56)

**References Cited**

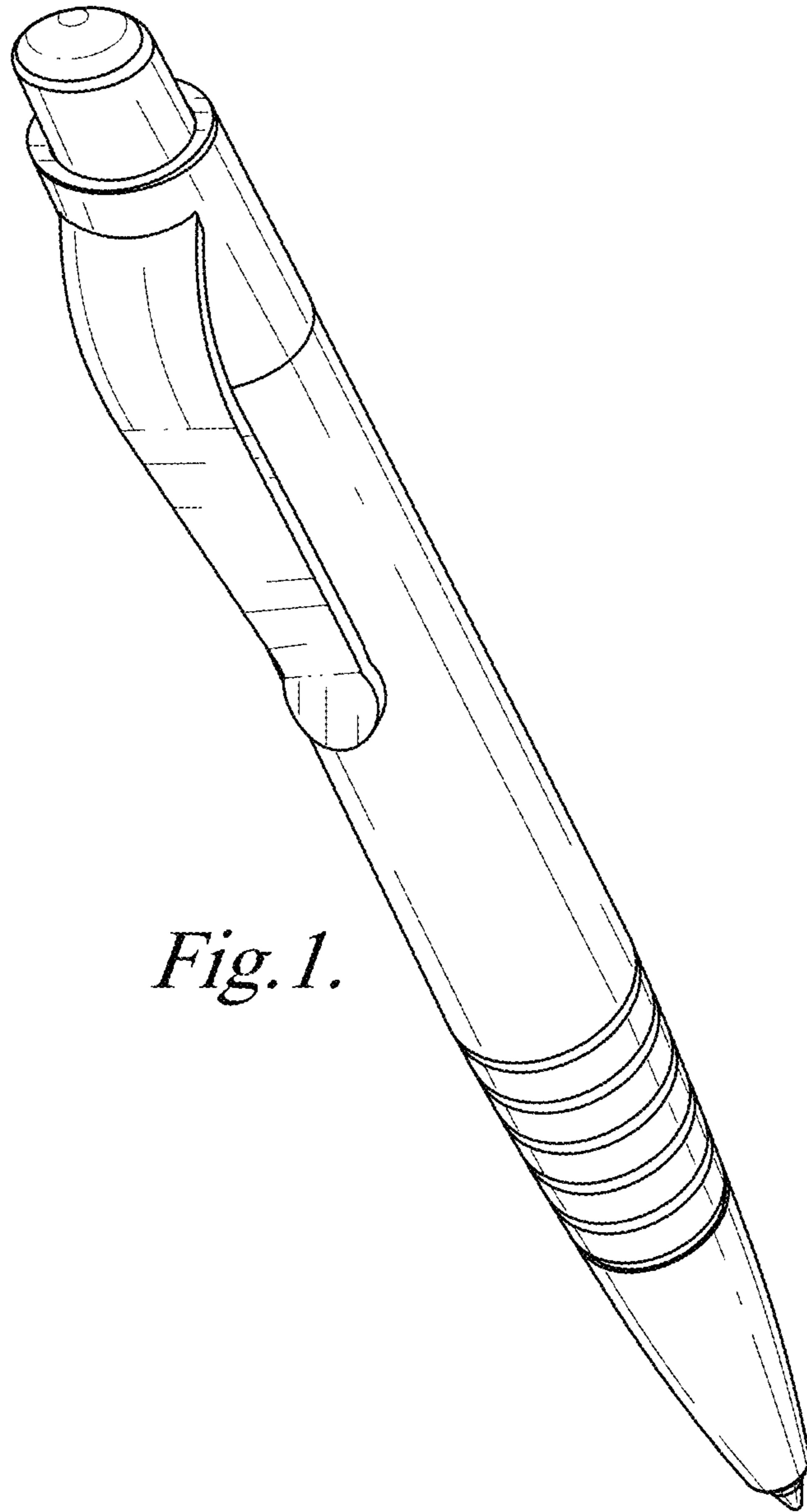
**OTHER PUBLICATIONS**

U.S. PATENT DOCUMENTS

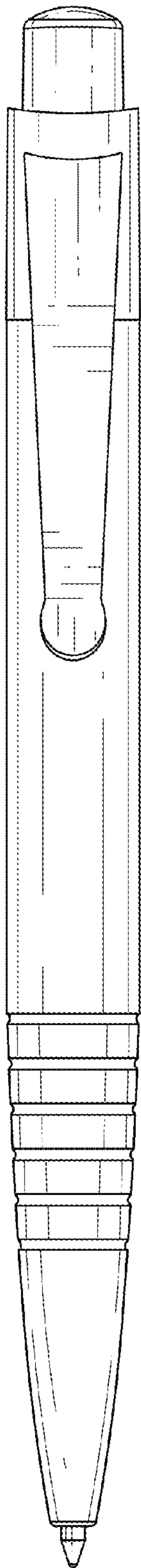
D641,406 S 7/2011 Zhang  
D642,619 S 8/2011 Kermoal  
D660,358 S 5/2012 Zhang  
D662,982 S 7/2012 Zhang  
D663,770 S \* 7/2012 Koch ..... D19/47  
D664,196 S 7/2012 Buchler  
D672,816 S \* 12/2012 Li ..... D19/51

Li, B., "Pen," U.S. Appl. No. 29/426,208, filed Jul. 2, 2012.  
Zhang, Y., "Pen," U.S. Appl. No. 29/403,838, filed Oct. 11, 2011.

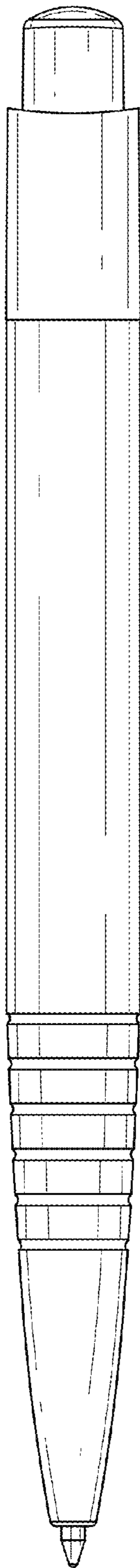
\* cited by examiner



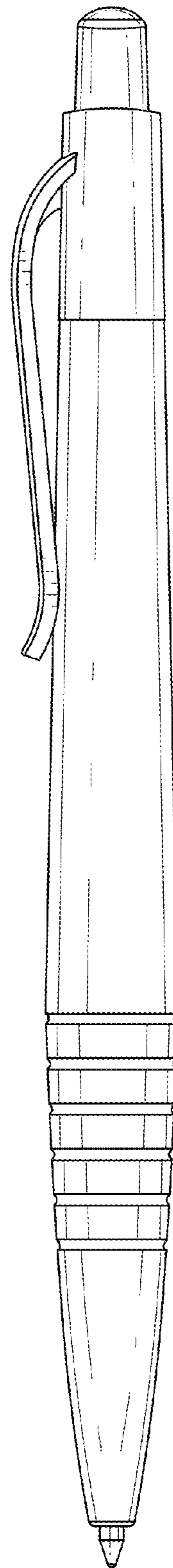
*Fig. 1.*



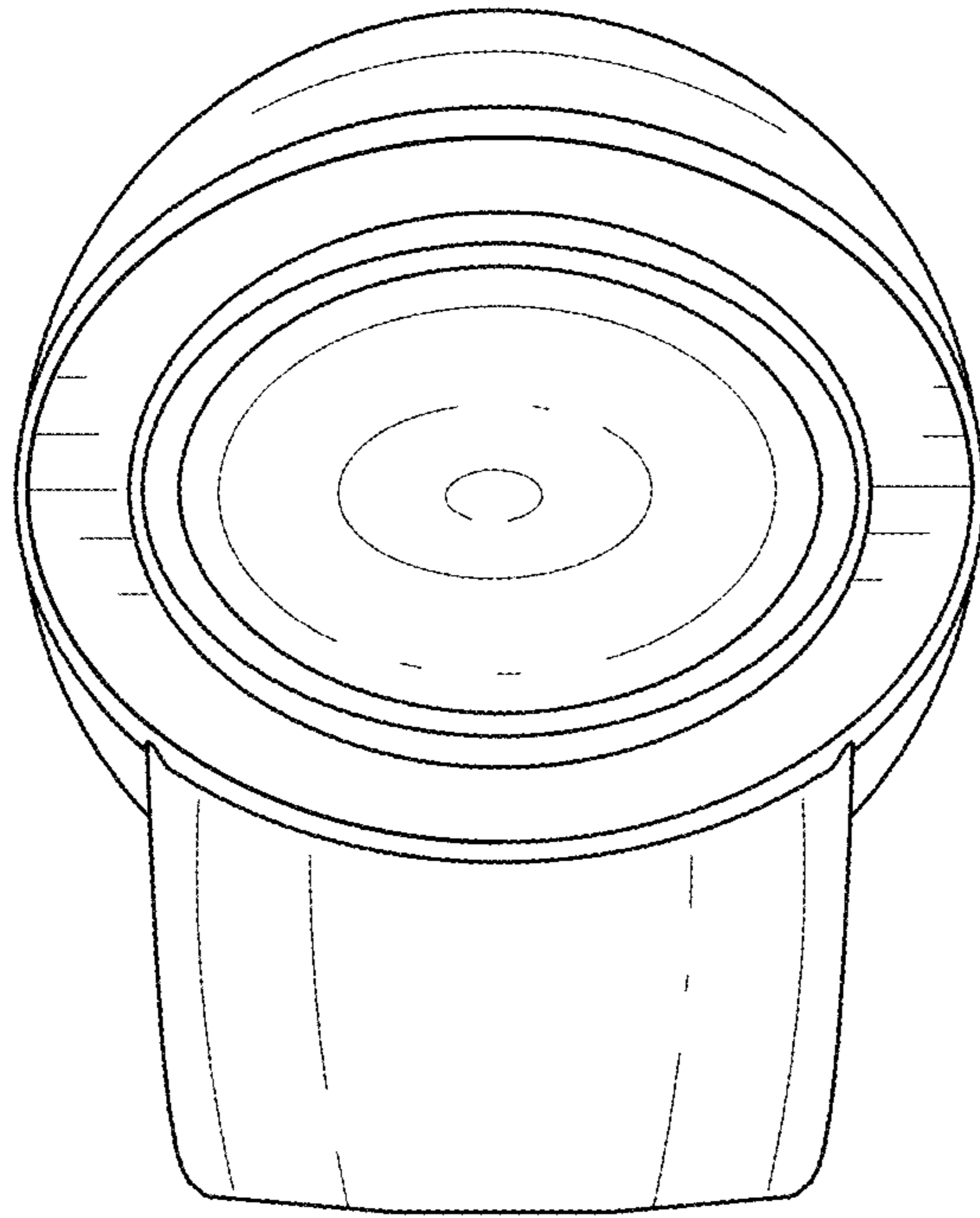
*Fig. 2.*



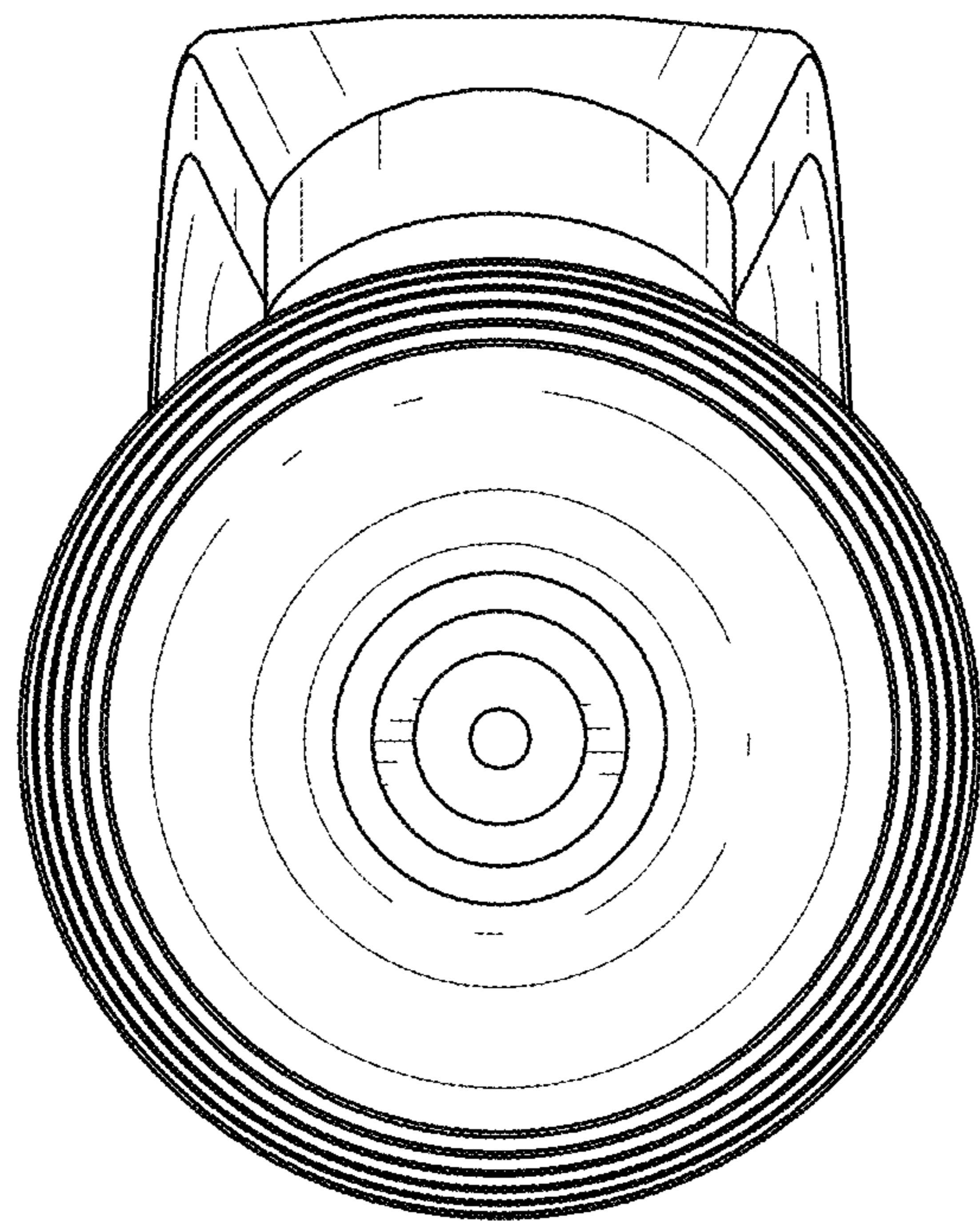
*Fig. 3.*



*Fig. 4.*



*Fig. 5.*



*Fig. 6.*