



US00D689932S

(12) **United States Design Patent**
Jin

(10) **Patent No.:** **US D689,932 S**
(45) **Date of Patent:** **** Sep. 17, 2013**

- (54) **PEN**
- (75) Inventor: **Renji Jin**, Ningbo (CN)
- (73) Assignee: **Beifa Group Co., Ltd.**, Ningbo (CN)
- (**) Term: **14 Years**
- (21) Appl. No.: **29/419,367**
- (22) Filed: **Apr. 27, 2012**

(30) **Foreign Application Priority Data**

Oct. 27, 2011 (CN) 2011 3 0386543

- (51) **LOC (9) Cl.** **19-06**
- (52) **U.S. Cl.**
USPC **D19/48**
- (58) **Field of Classification Search**
USPC D14/411; D19/35, 36, 41-51, 53-58;
24/11 F, 11 P, 11 R; 401/52, 99-109, 192,
401/195, 196
See application file for complete search history.

(56) **References Cited**

U.S. PATENT DOCUMENTS

D234,225 S *	1/1975	Ito	D10/48
D414,202 S *	9/1999	Pellissa Beneyto	D19/47
D430,607 S *	9/2000	Matsuzaki et al.	D19/49
D441,017 S *	4/2001	Gault et al.	D19/50
D480,756 S	10/2003	Hwang	
D492,349 S *	6/2004	Qiu	D19/50
D497,179 S	10/2004	Chen	
D540,386 S *	4/2007	Qiu	D19/51
D562,894 S *	2/2008	Nishida	D19/49

D562,895 S *	2/2008	Shibata	D19/50
D585,492 S *	1/2009	Booker	D19/50
D591,348 S *	4/2009	Yu et al.	D19/49
D594,059 S *	6/2009	Shibata	D19/48
D610,617 S *	2/2010	Zhang	D19/50
D611,535 S *	3/2010	Shimizu	D19/48
D619,169 S *	7/2010	Kent et al.	D19/48
D619,170 S *	7/2010	Kent et al.	D19/55
D641,787 S *	7/2011	Tan	D19/48
D648,789 S *	11/2011	Shibata	D19/48
D652,080 S *	1/2012	Shibata	D19/48
D659,760 S *	5/2012	Zhang	D19/51
D662,984 S *	7/2012	Yan	D19/50
D667,501 S *	9/2012	Avenatti	D19/48

* cited by examiner

Primary Examiner — Elizabeth Albert

(74) *Attorney, Agent, or Firm* — Christensen O'Connor Johnson Kindness PLLC

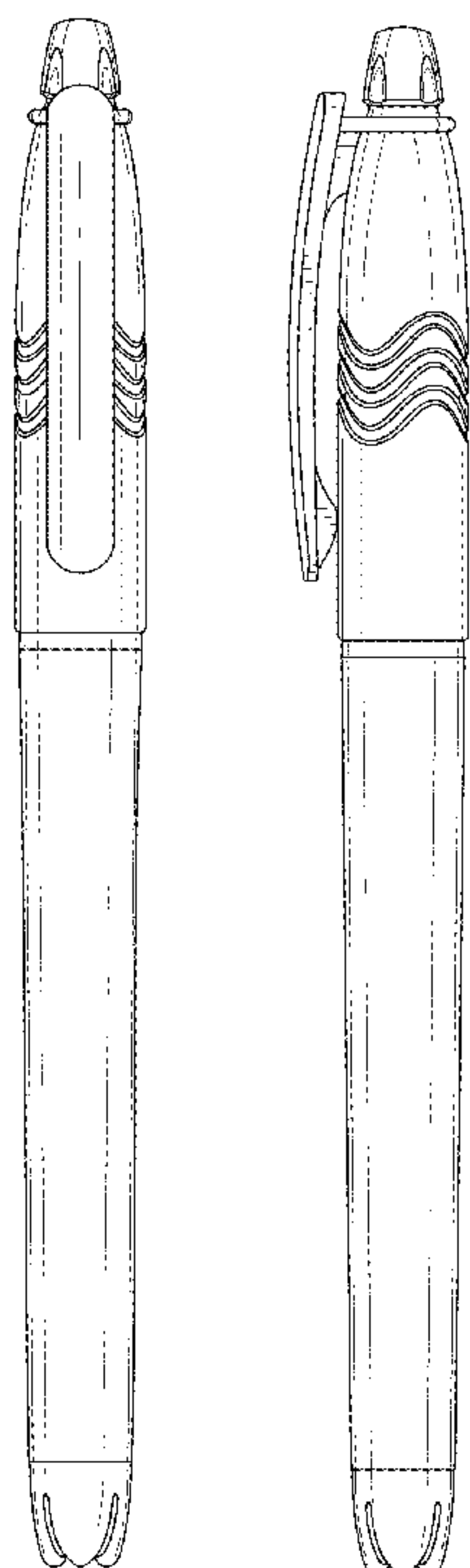
(57) **CLAIM**

The ornamental design for a pen, as shown and described.

DESCRIPTION

FIG. 1 is an upper front left perspective view of a pen showing my new design;
 FIG. 2 is a front elevation view thereof;
 FIG. 3 is a rear elevation view thereof;
 FIG. 4 is a right side elevation view thereof, with the left side elevation view being a mirror image of the right side elevation view;
 FIG. 5 is an enlarged top plan view thereof; and,
 FIG. 6 is an enlarged bottom plan view thereof.

1 Claim, 3 Drawing Sheets



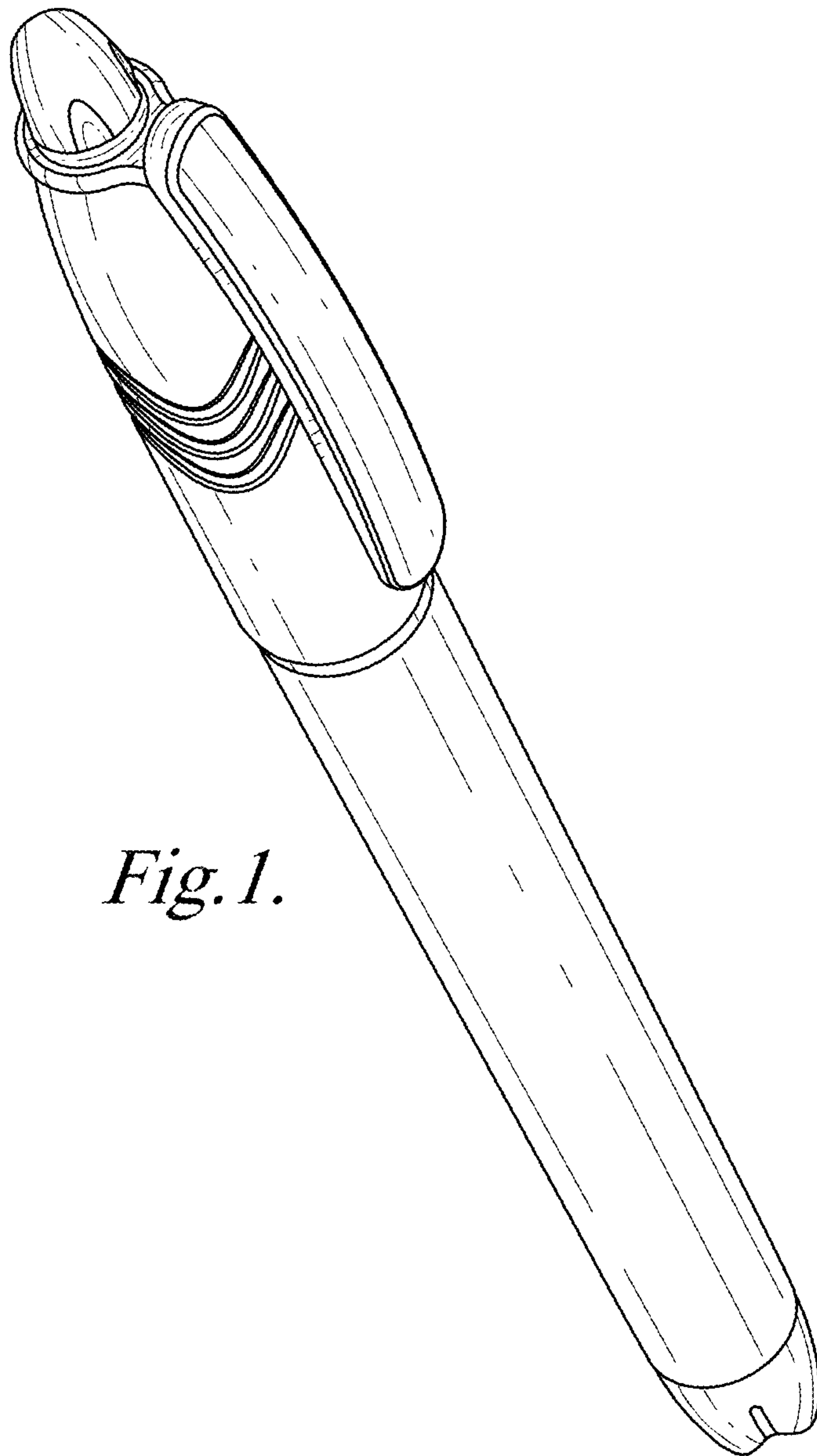


Fig. 1.

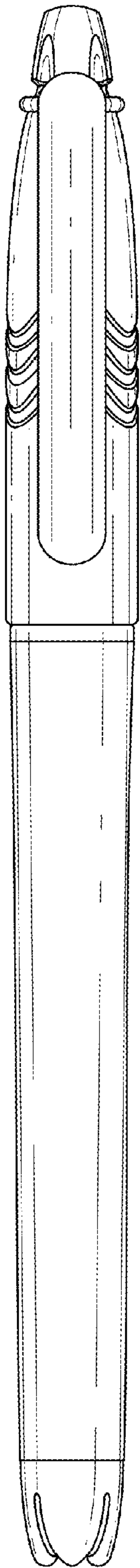


Fig.2.

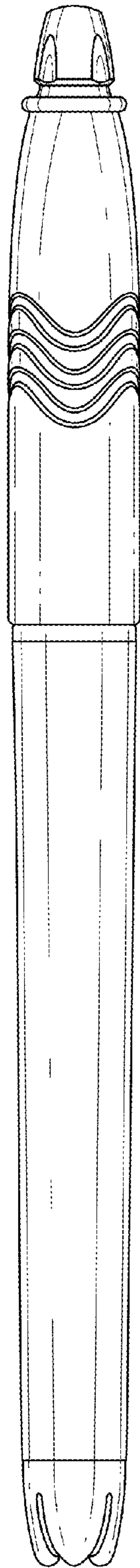


Fig.3.

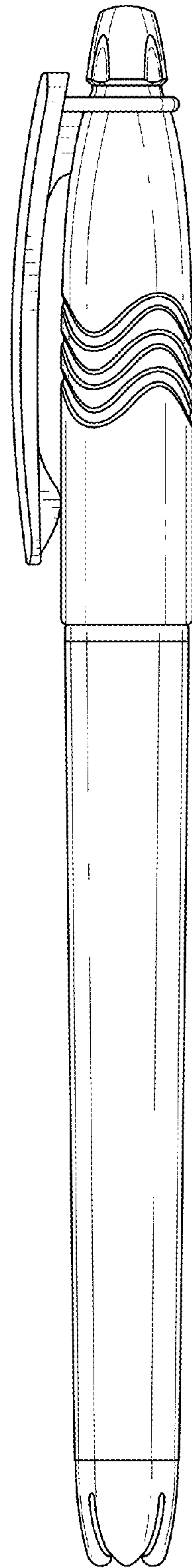


Fig.4.

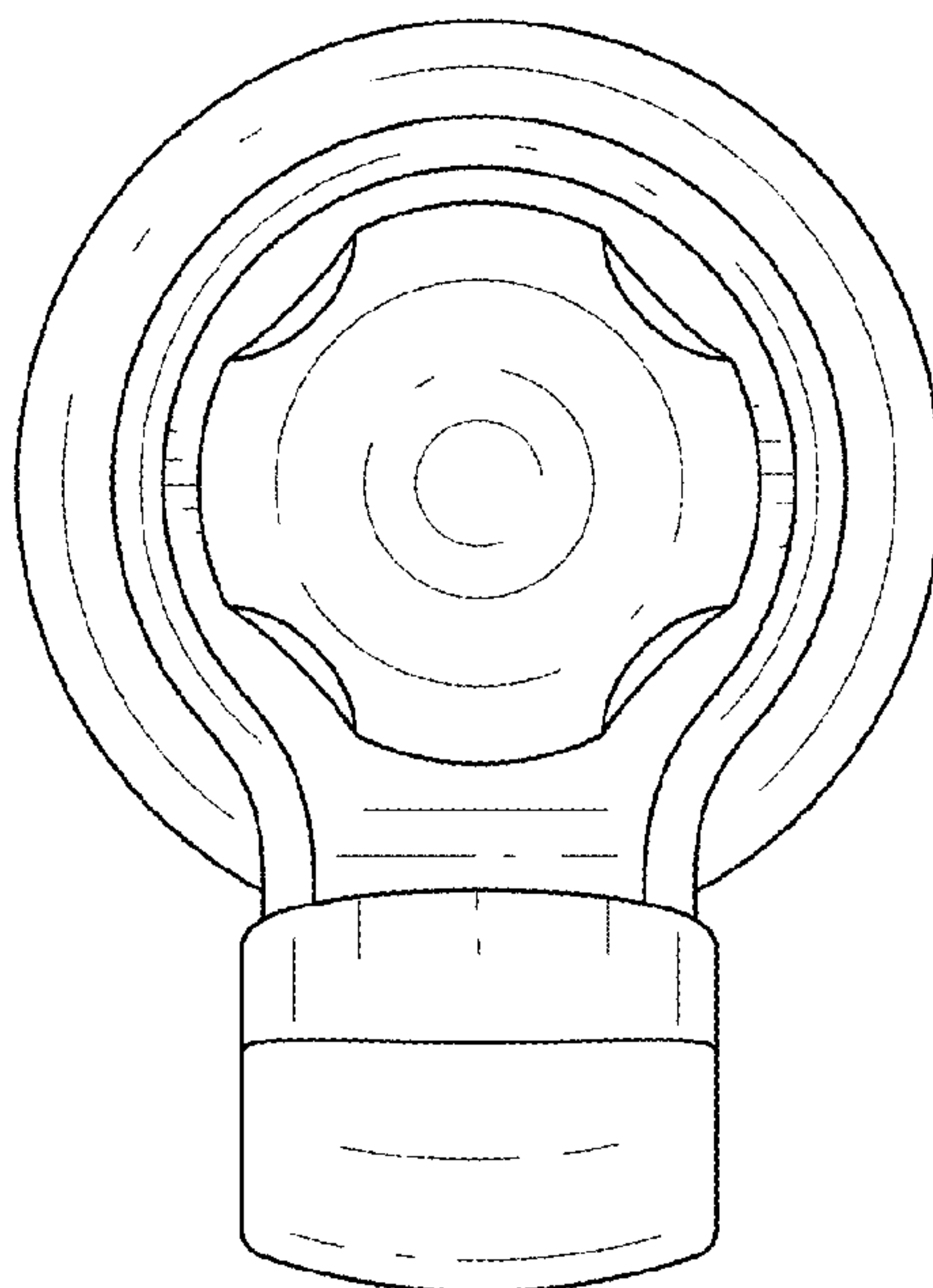


Fig. 5.

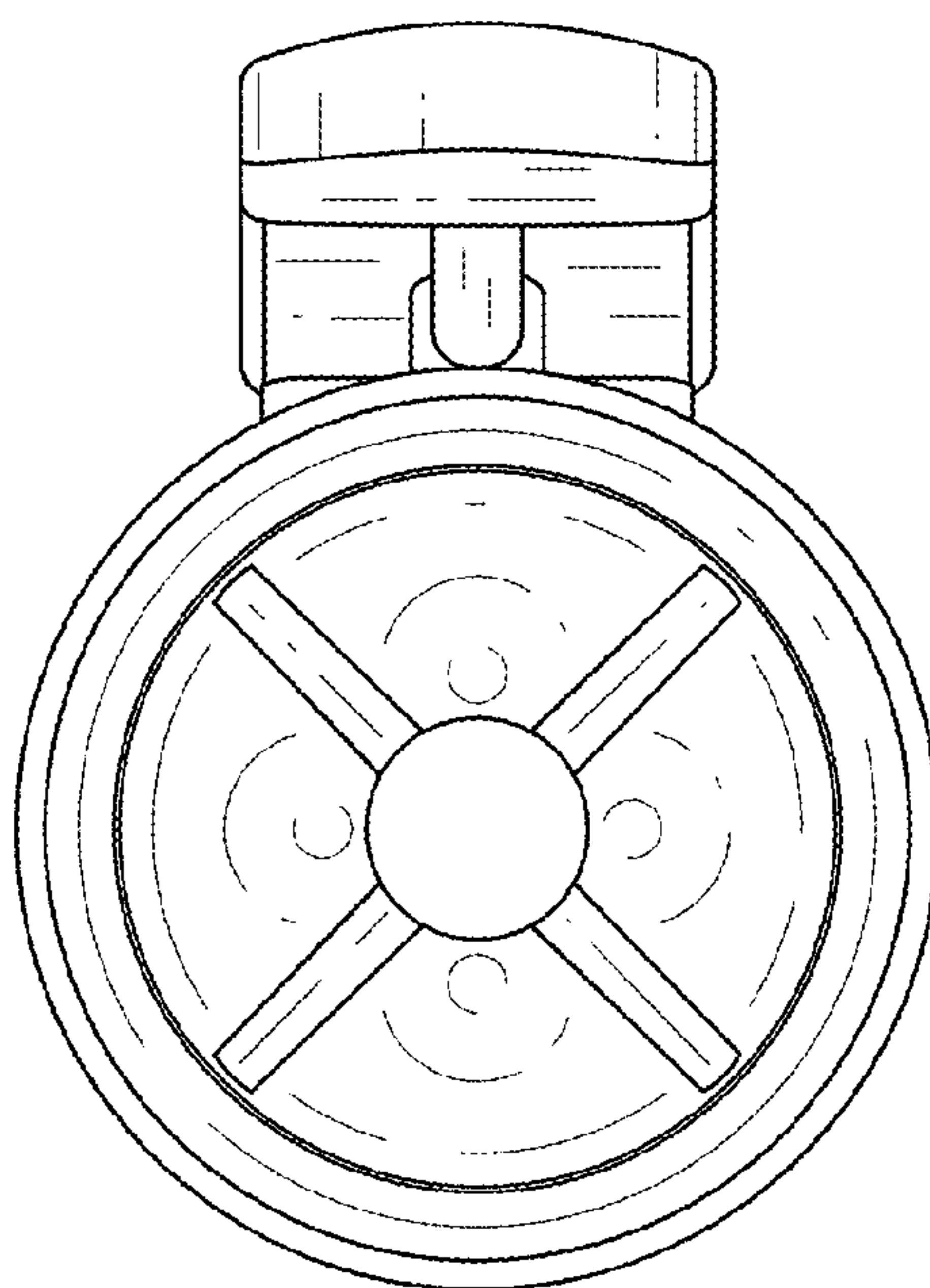


Fig. 6.