



US00D689927S

(12) **United States Design Patent**
André

(10) **Patent No.:** **US D689,927 S**

(45) **Date of Patent:** **** Sep. 17, 2013**

(54) **HIGHLIGHTER**

(75) Inventor: **Olivier André**, Pok Fu Lam (HK)

(73) Assignee: **Intermed Asia Limited**, Hung Hom, Kowloon (HK)

(**) Term: **14 Years**

(21) Appl. No.: **29/418,511**

(22) Filed: **Apr. 17, 2012**

(30) **Foreign Application Priority Data**

Oct. 18, 2011	(CN)	2011 3 0388448
Oct. 18, 2011	(HK)	1101812.6M001
Oct. 18, 2011	(HK)	1101812.6M002

(51) **LOC (9) Cl.** **19-06**

(52) **U.S. Cl.**
USPC **D19/41**

(58) **Field of Classification Search**
USPC D14/411; D19/35, 36, 41-51, 54-58;
24/11 F, 11 P, 11 R; 401/52, 99-109, 192,
401/195, 196
See application file for complete search history.

(56) **References Cited**

U.S. PATENT DOCUMENTS

2,952,923	A *	9/1960	Calabrese	434/163
4,123,853	A *	11/1978	Dickensheet	434/184
4,146,978	A *	4/1979	Breslow	434/174
4,983,062	A *	1/1991	Hour	401/195
D367,293	S *	2/1996	Williams	D19/51
D419,187	S *	1/2000	Chuang	D19/36
D425,118	S *	5/2000	Platts et al.	D19/42
D434,798	S *	12/2000	Platts et al.	D19/42
6,612,766	B2 *	9/2003	Collins	401/88
7,448,767	B2 *	11/2008	Zhang	362/118
D585,490	S *	1/2009	Puglisi	D19/48

(Continued)

Primary Examiner — Elizabeth Albert

(74) *Attorney, Agent, or Firm* — Merchant & Gould P.C.

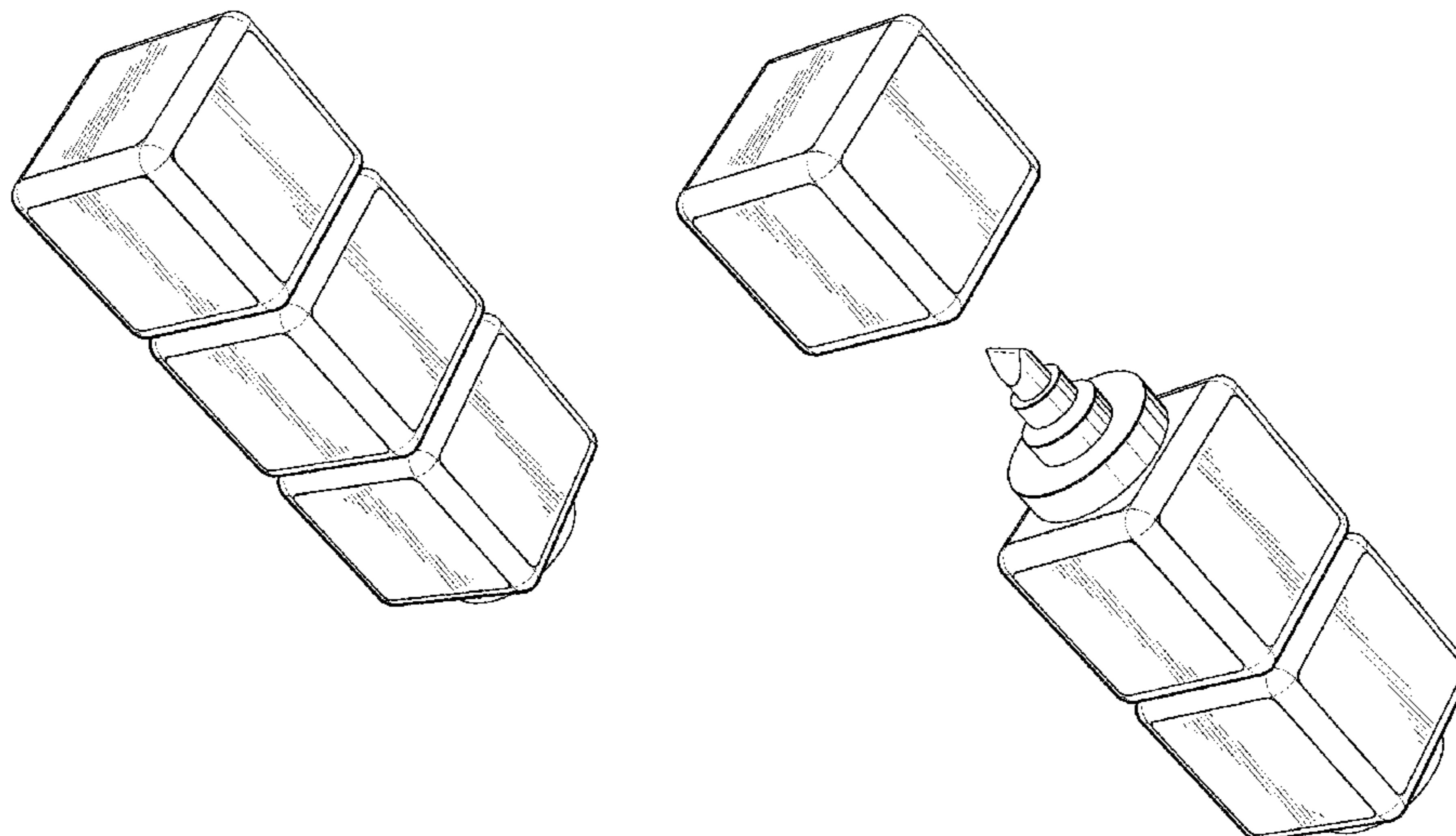
(57) **CLAIM**

The ornamental design for highlighter, as shown and described.

DESCRIPTION

FIG. 1 is a perspective view showing my design;
 FIG. 2 is a front view thereof;
 FIG. 3 is a back view thereof;
 FIG. 4 is a side view thereof;
 FIG. 5 is a side view thereof;
 FIG. 6 is a top view thereof;
 FIG. 7 is a bottom view thereof;
 FIG. 8 is a perspective view showing my design thereof with the cap removed;
 FIG. 9 is a perspective view showing my design thereof with the cap removed and the body twisted;
 FIG. 10 is a perspective view showing my design thereof without the cap;
 FIG. 11 is a front view thereof without the cap;
 FIG. 12 is a back view thereof without the cap;
 FIG. 13 is a side view thereof without the cap;
 FIG. 14 is a side view thereof without the cap;
 FIG. 15 is a top view thereof without the cap;
 FIG. 16 is a bottom view thereof;
 FIG. 17 is a perspective view of the cap without the highlighter;
 FIG. 18 is a top view of the cap without the highlighter;
 FIG. 19 is a side view of the cap without the highlighter;
 FIG. 20 is a side view of the cap without the highlighter;
 FIG. 21 is a side view of the cap without the highlighter;
 FIG. 22 is a side view of the cap without the highlighter; and,
 FIG. 23 is a bottom view of the cap without the highlighter.

1 Claim, 23 Drawing Sheets



US D689,927 S

Page 2

(56)

References Cited

2005/0053414 A1* 3/2005 Collins 401/195
2007/0059089 A1* 3/2007 Junkins 401/195

U.S. PATENT DOCUMENTS

7,758,267 B1* 7/2010 Zhang 401/52
7,774,963 B2* 8/2010 Puglisi 40/334 * cited by examiner

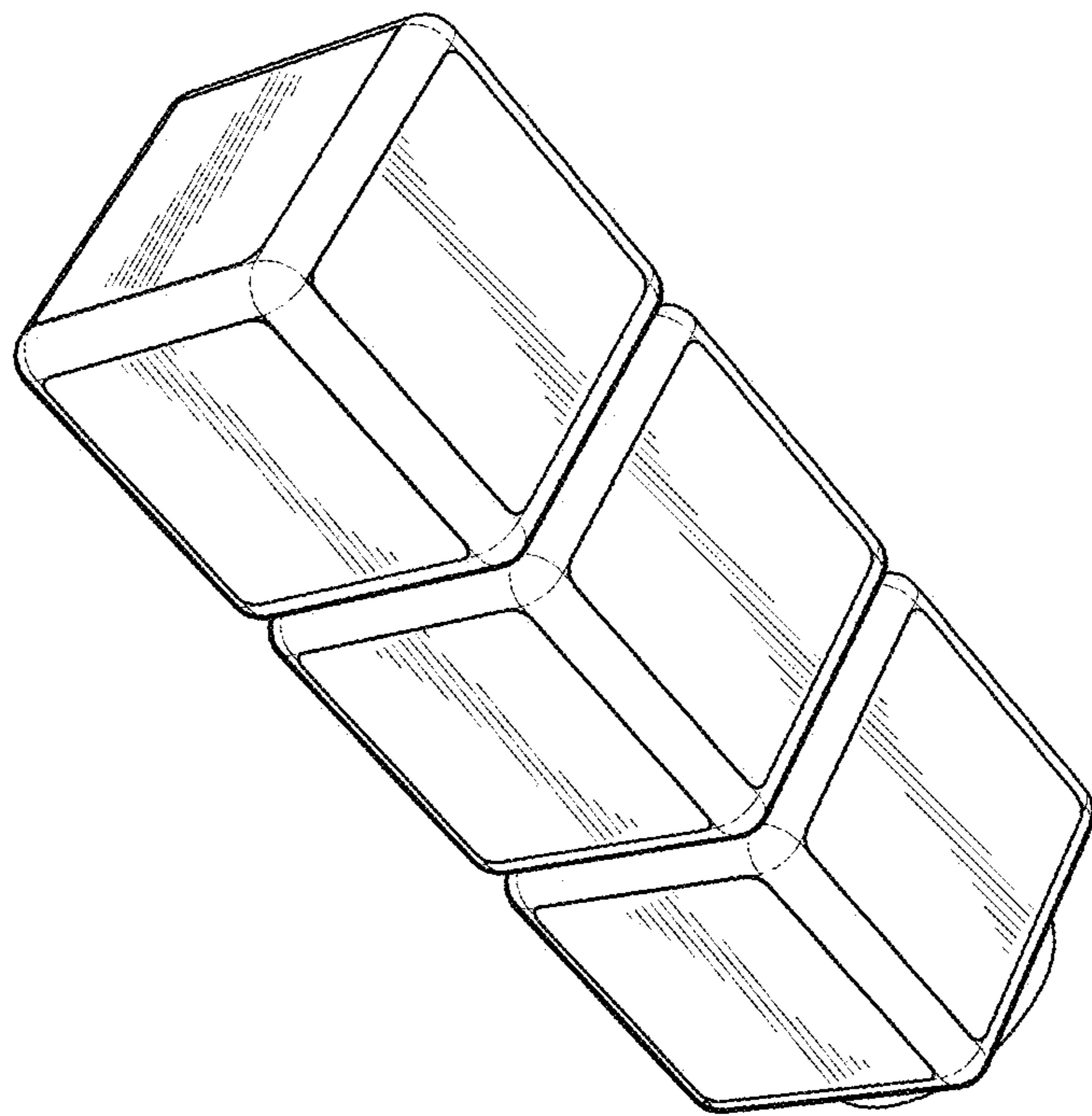


FIG. 1

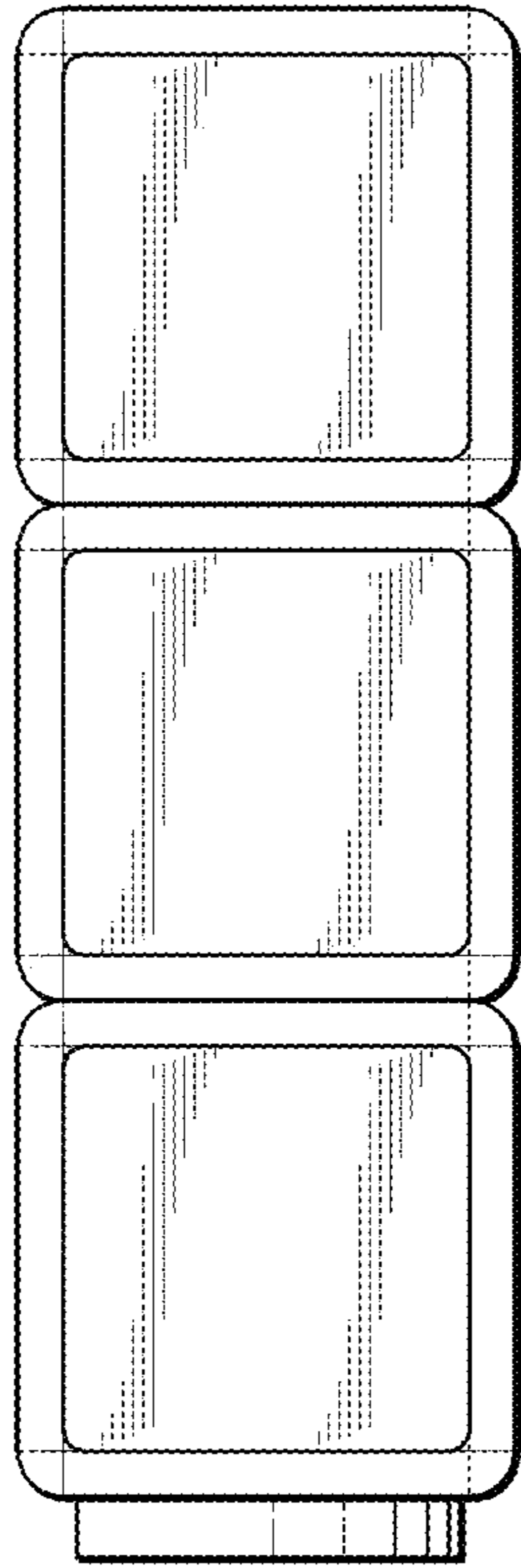


FIG. 2

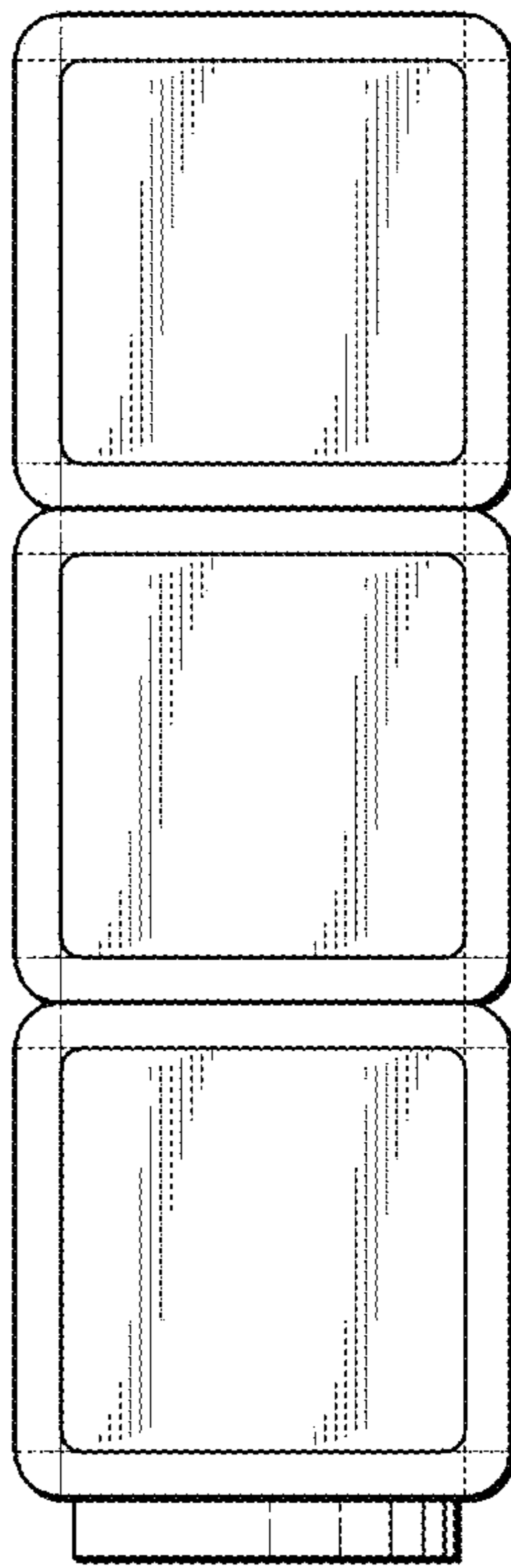


FIG. 3

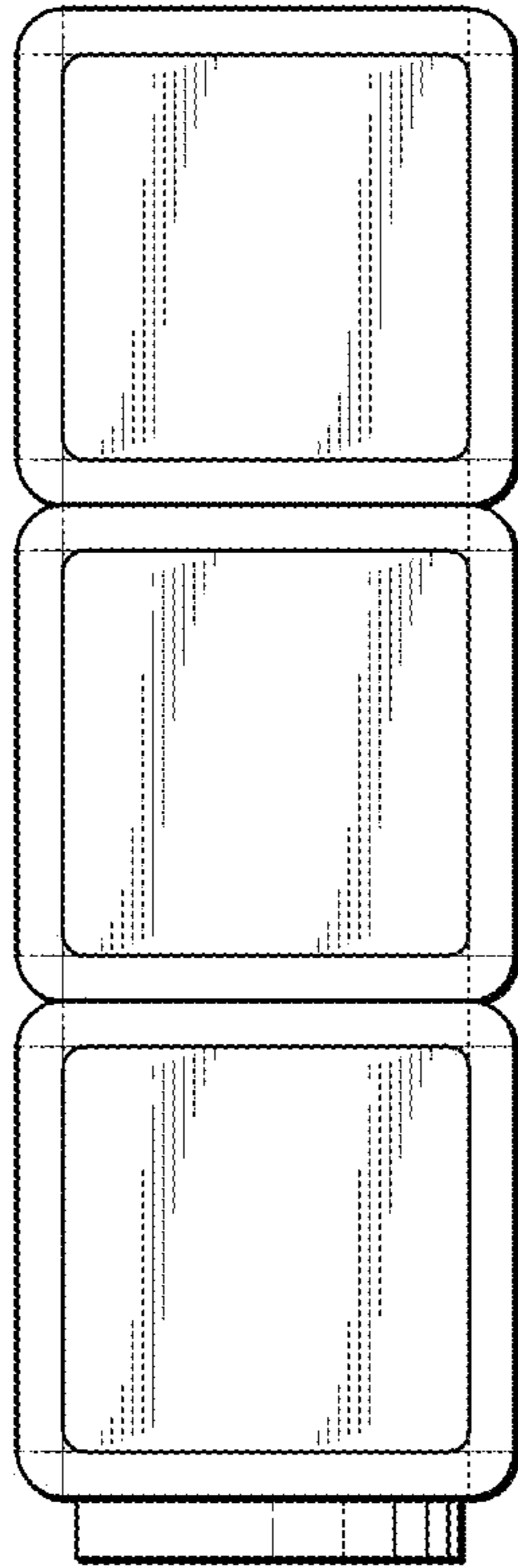


FIG. 4

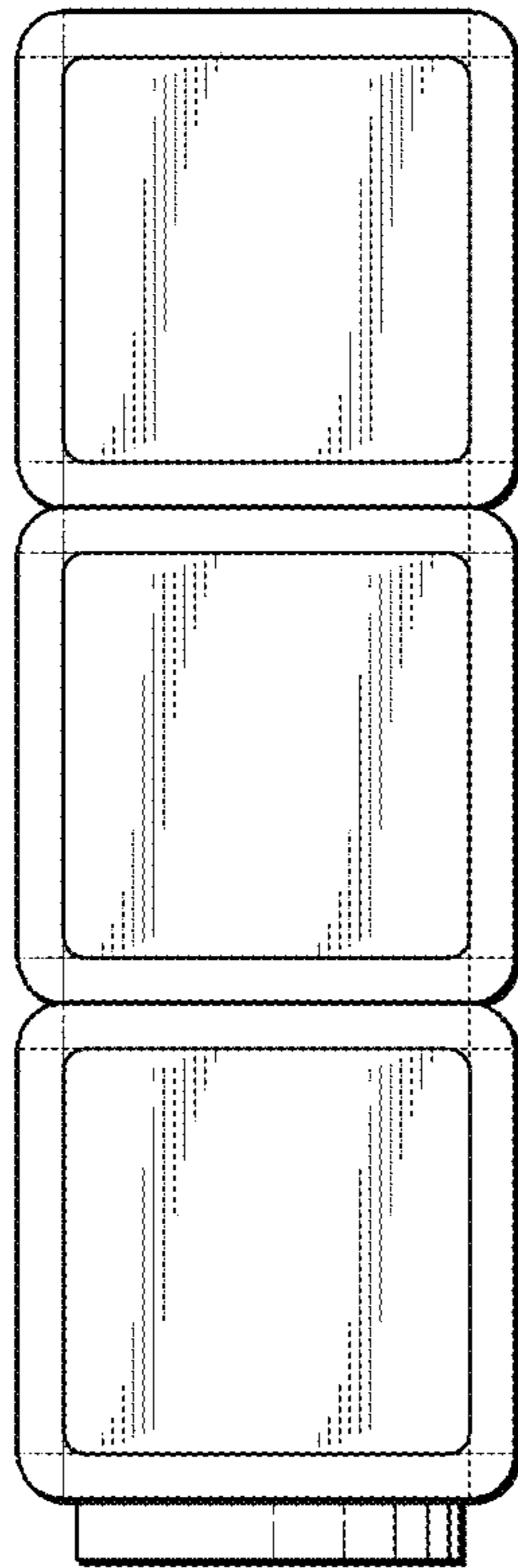


FIG. 5

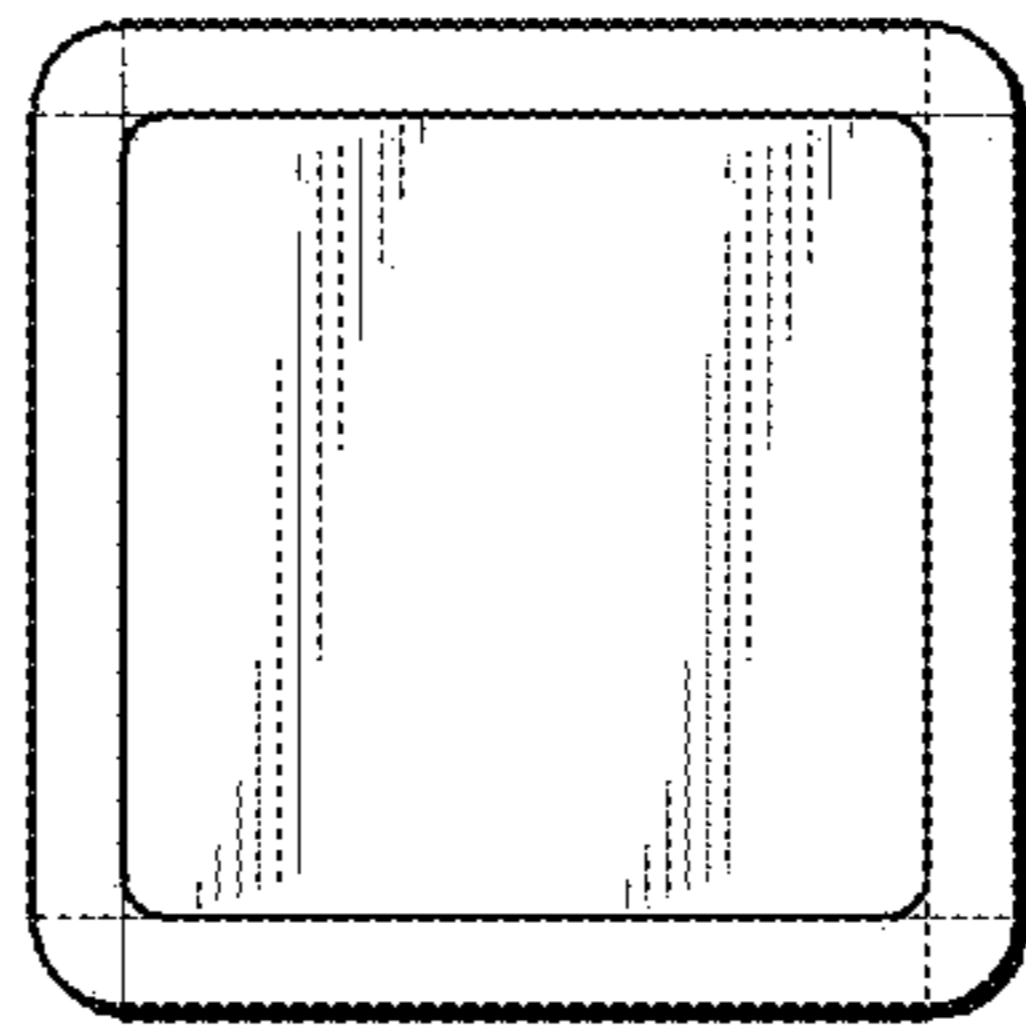


FIG. 6

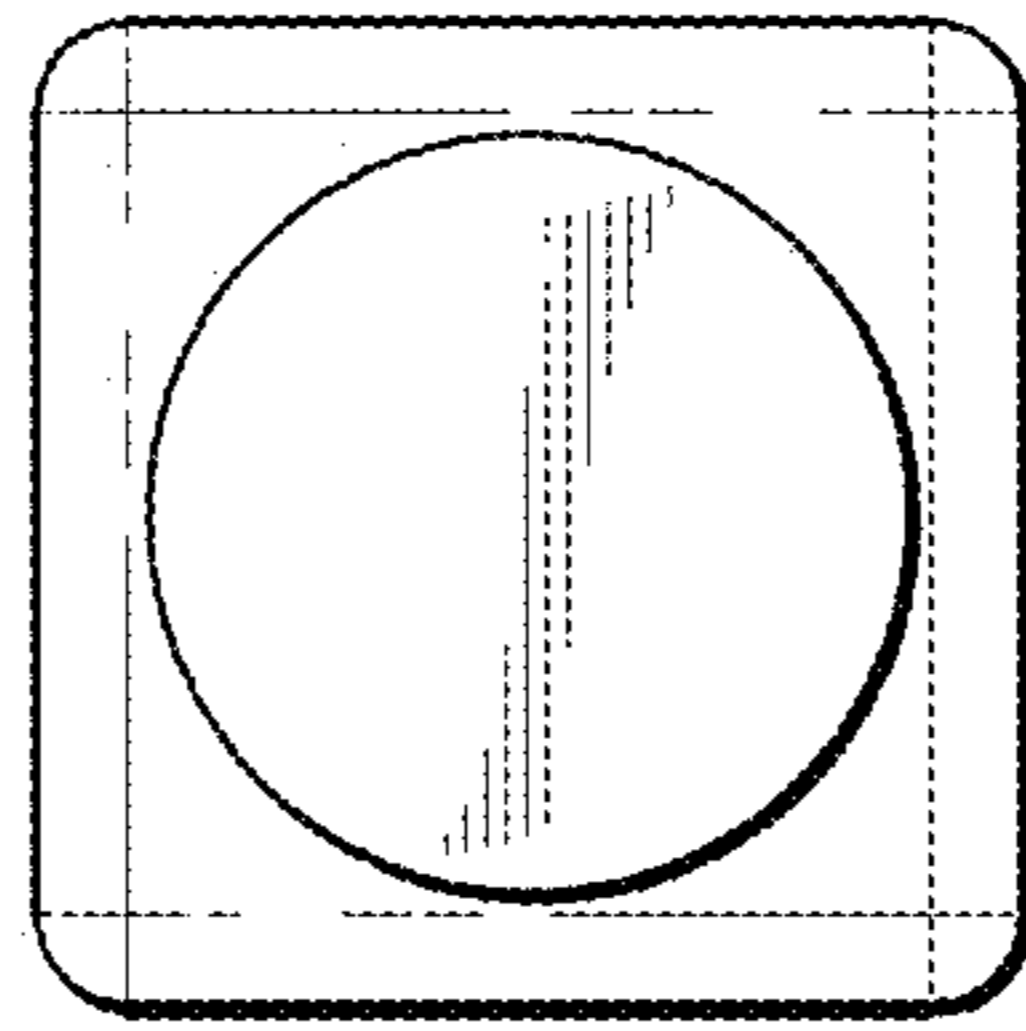


FIG. 7

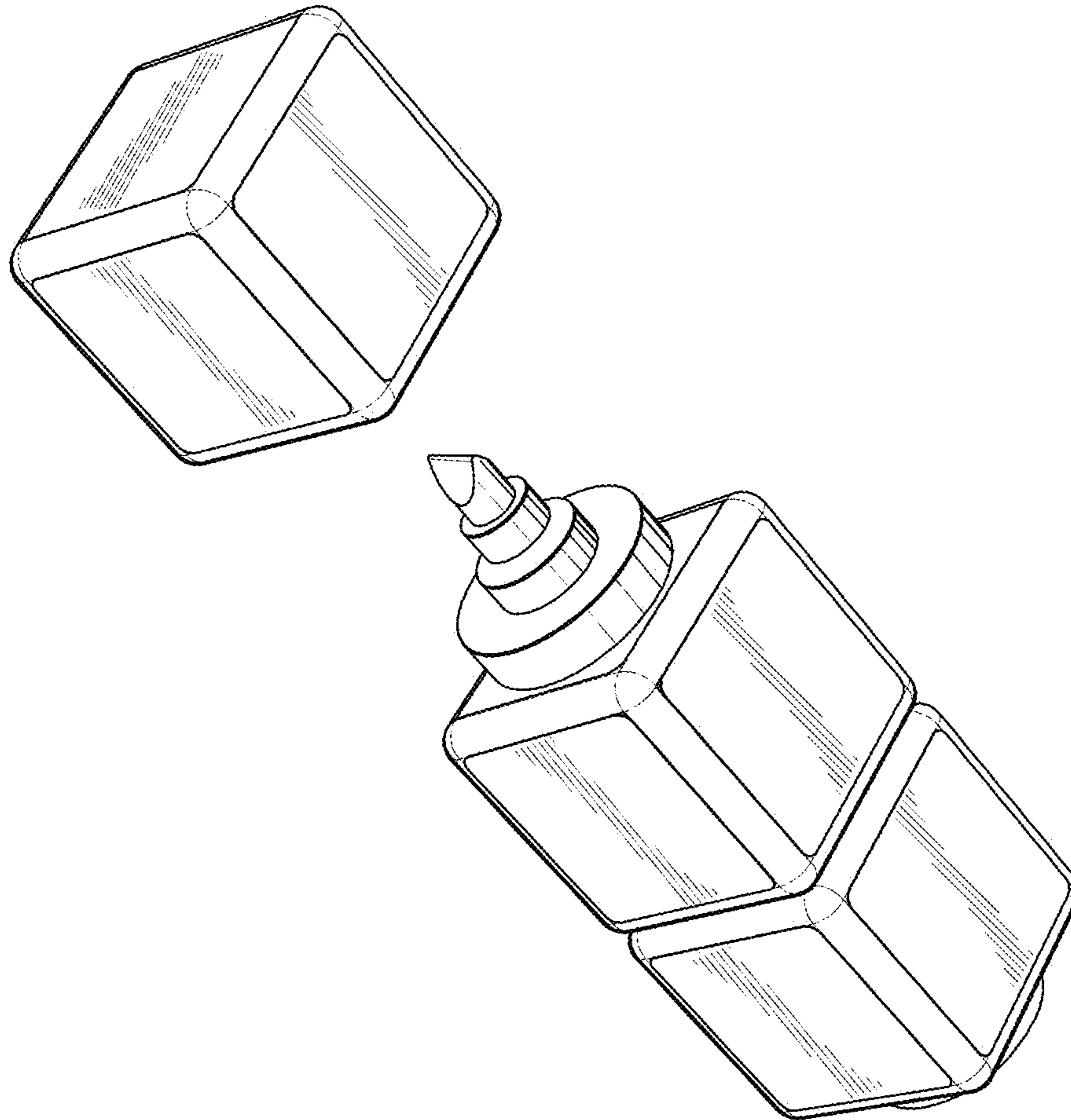


FIG. 8

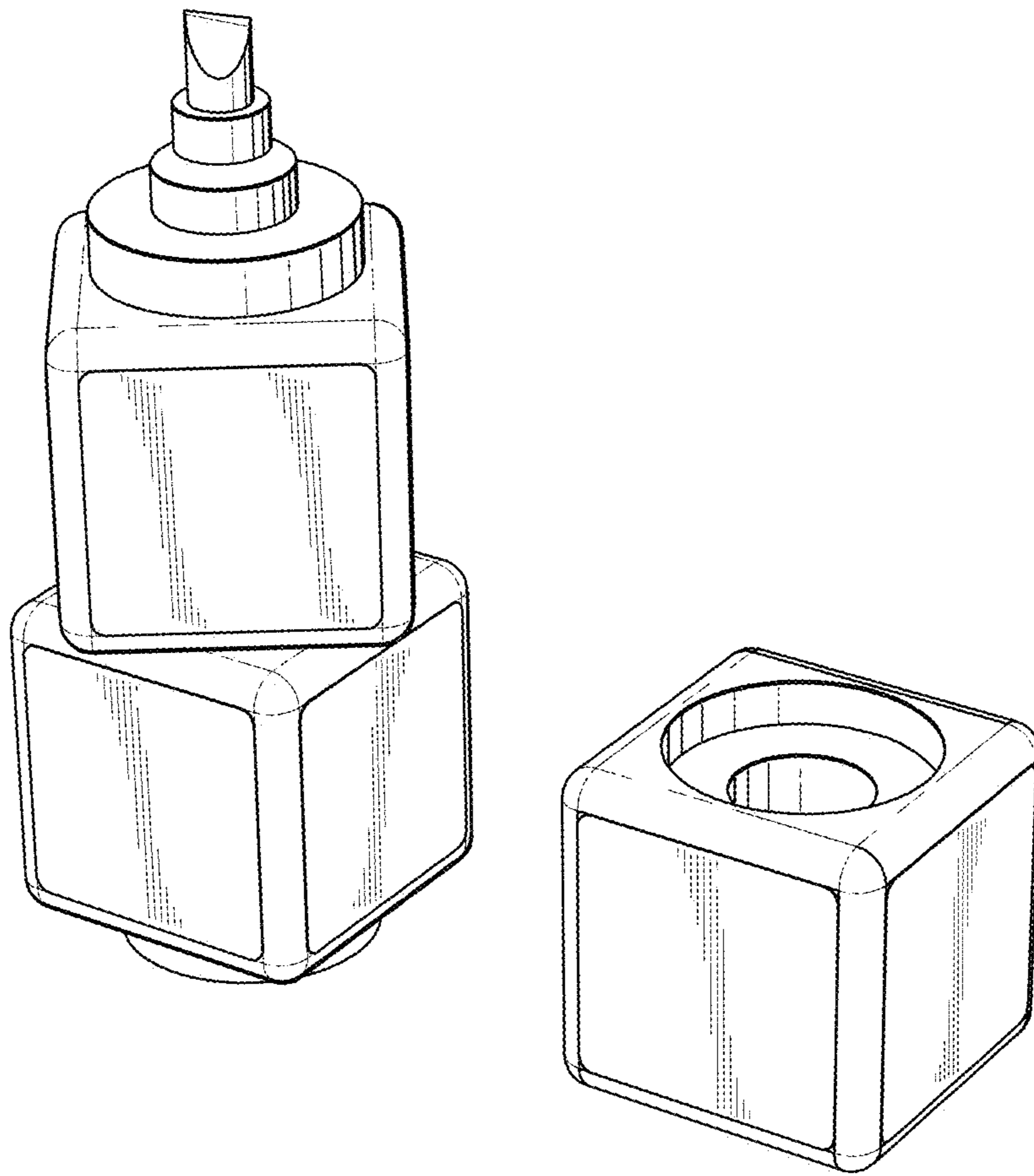


FIG. 9

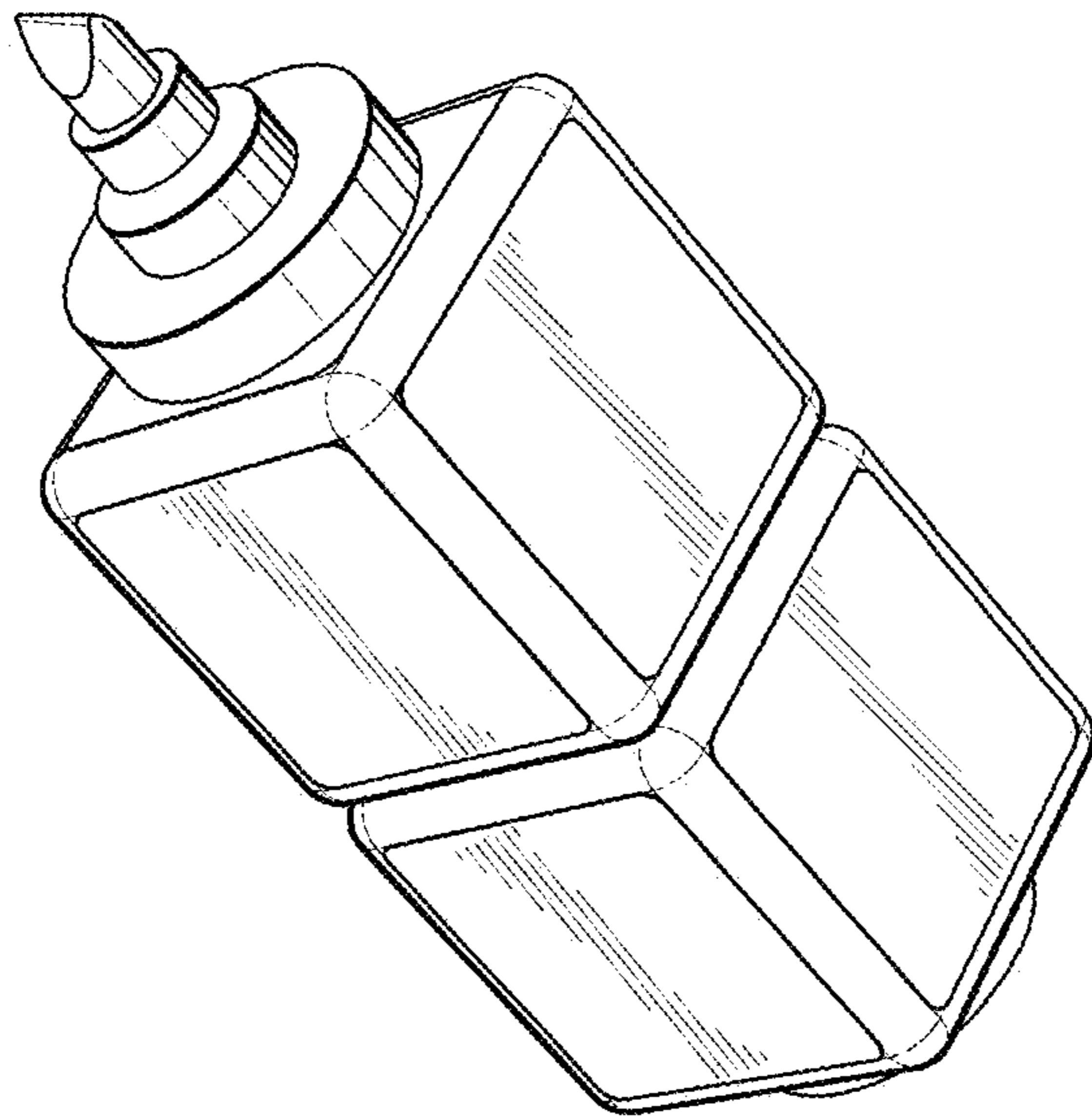


FIG. 10

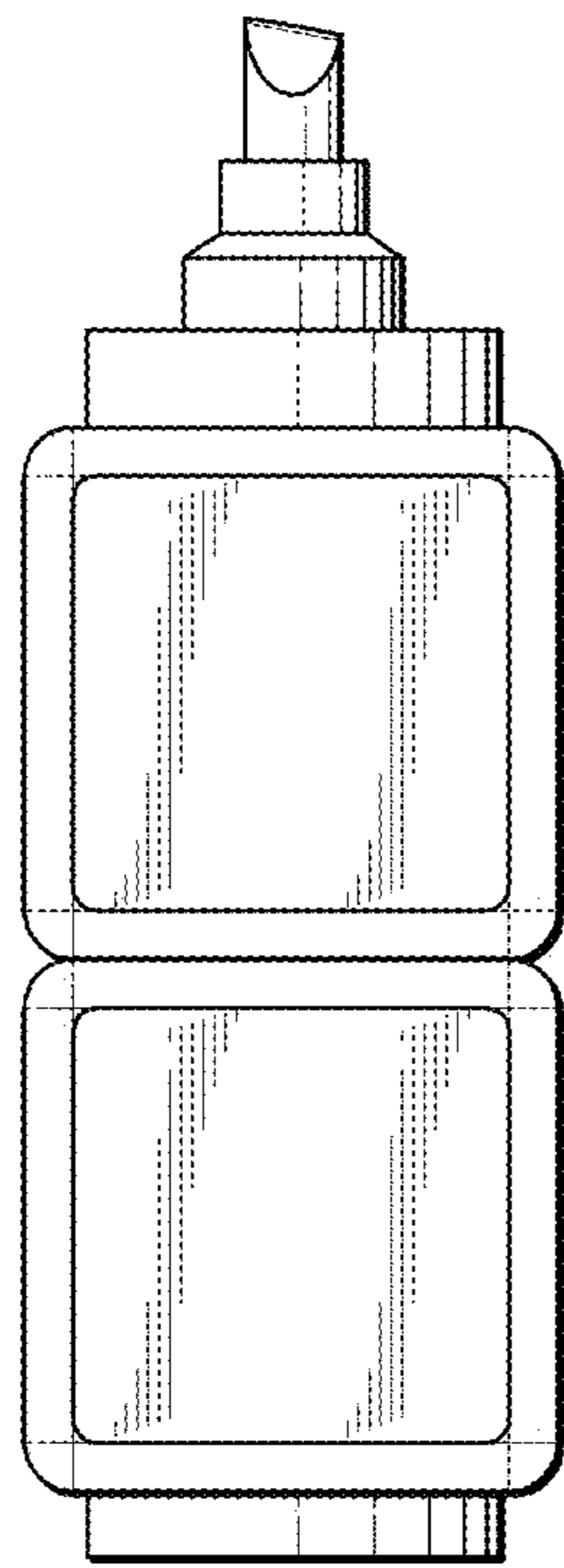


FIG. 11

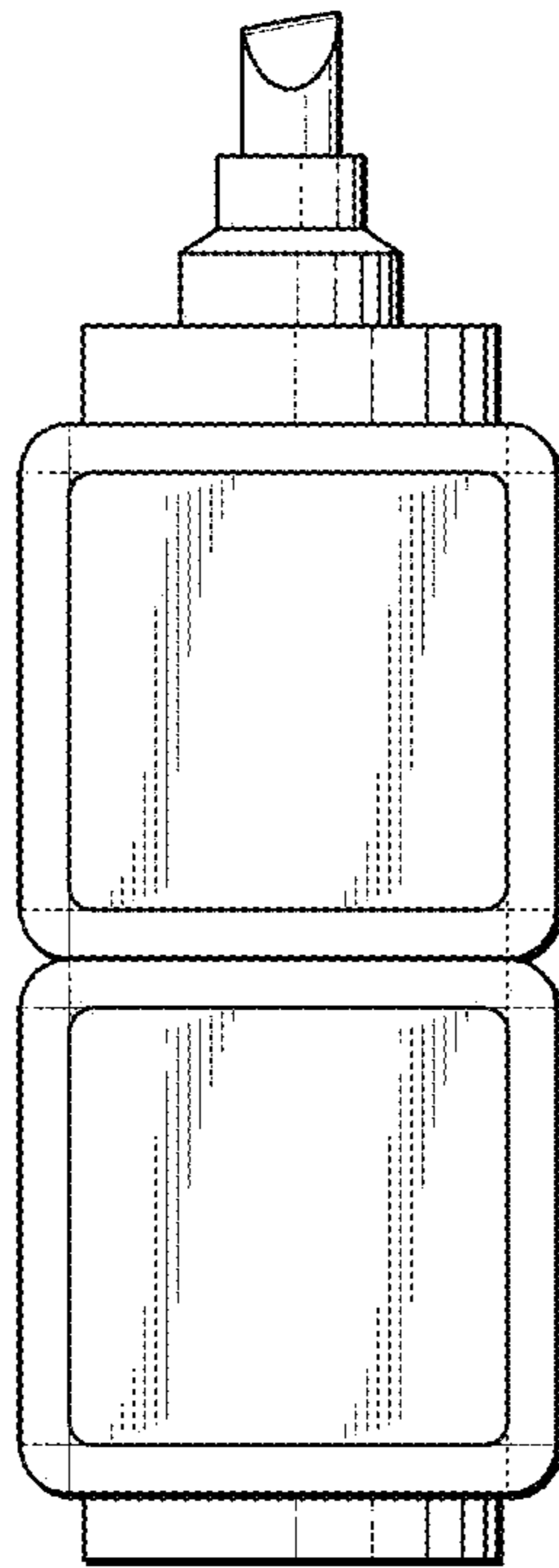


FIG. 12

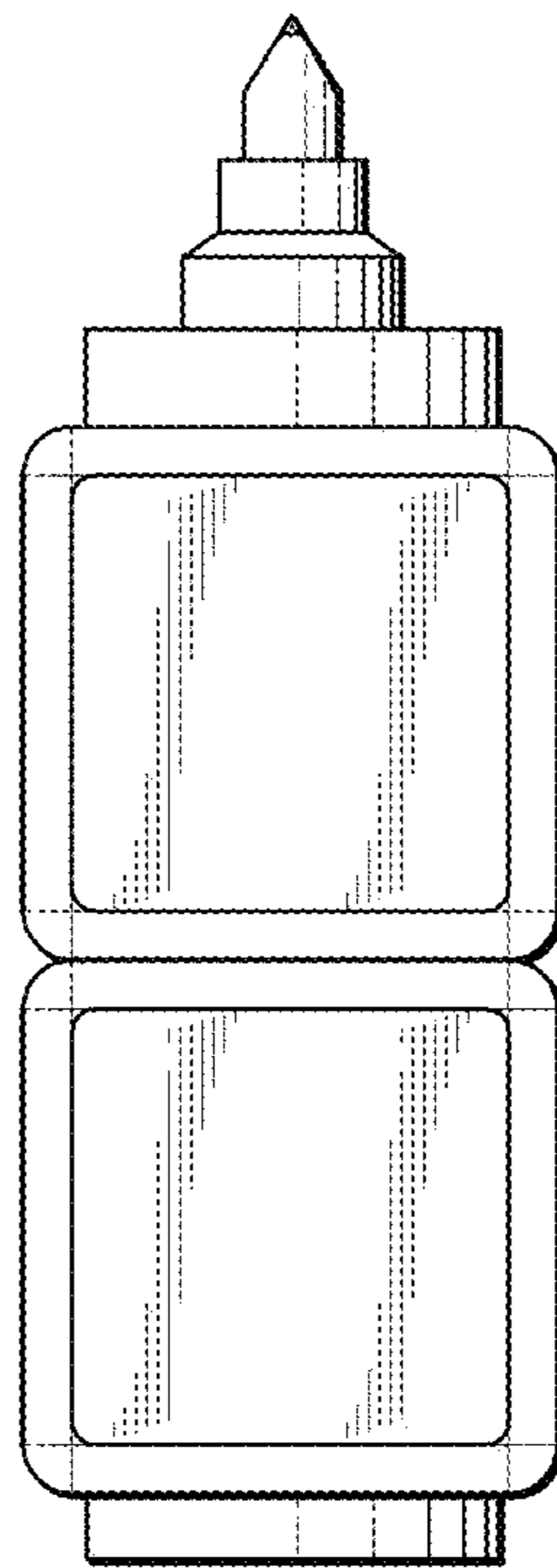


FIG. 13

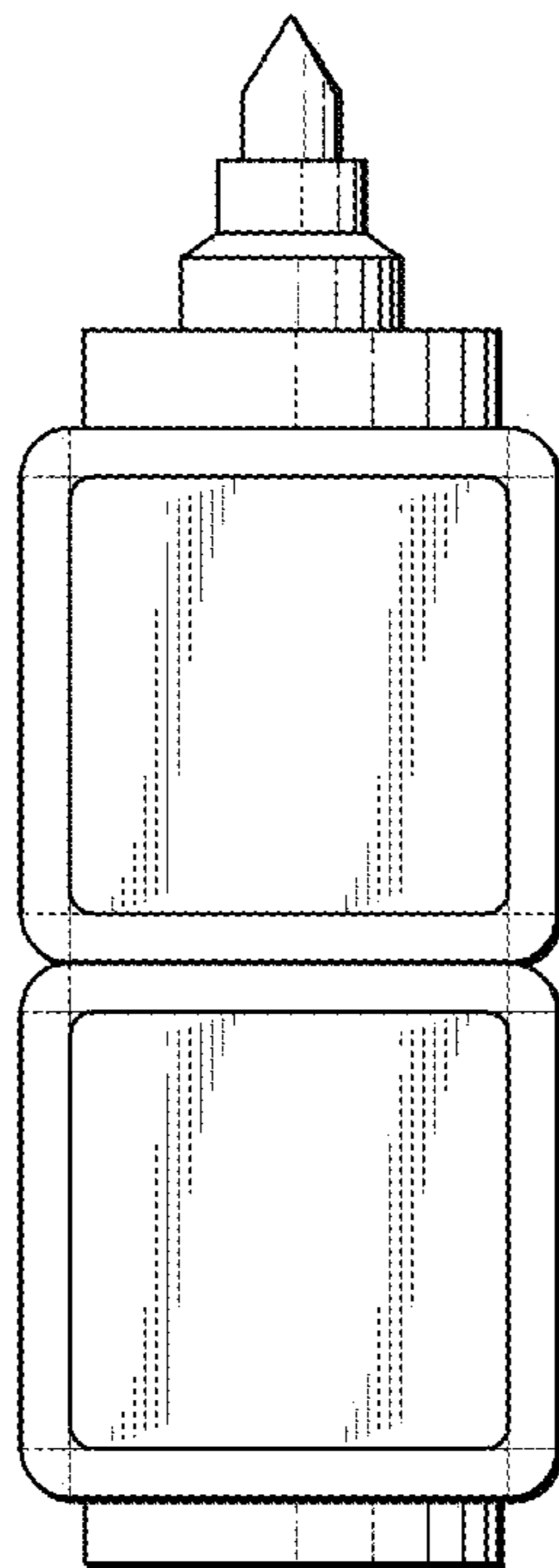


FIG. 14

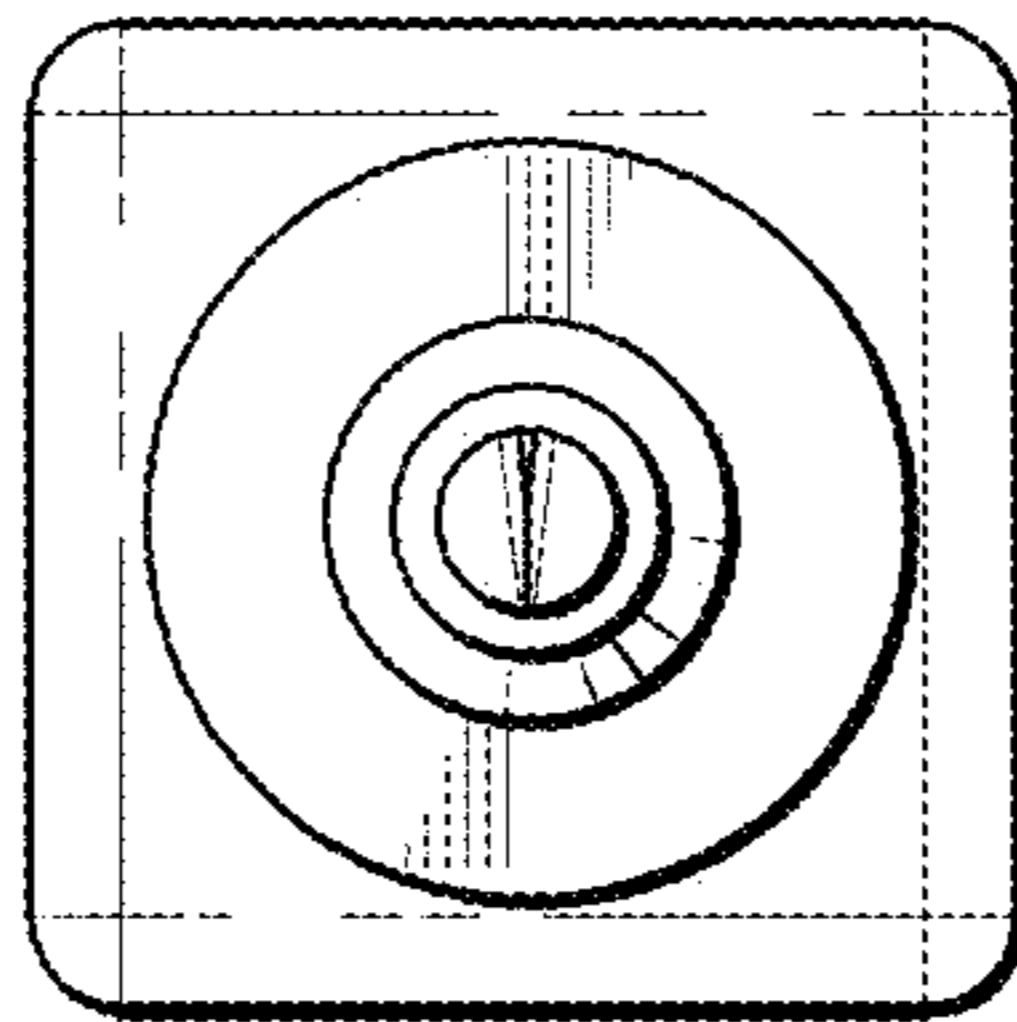


FIG. 15

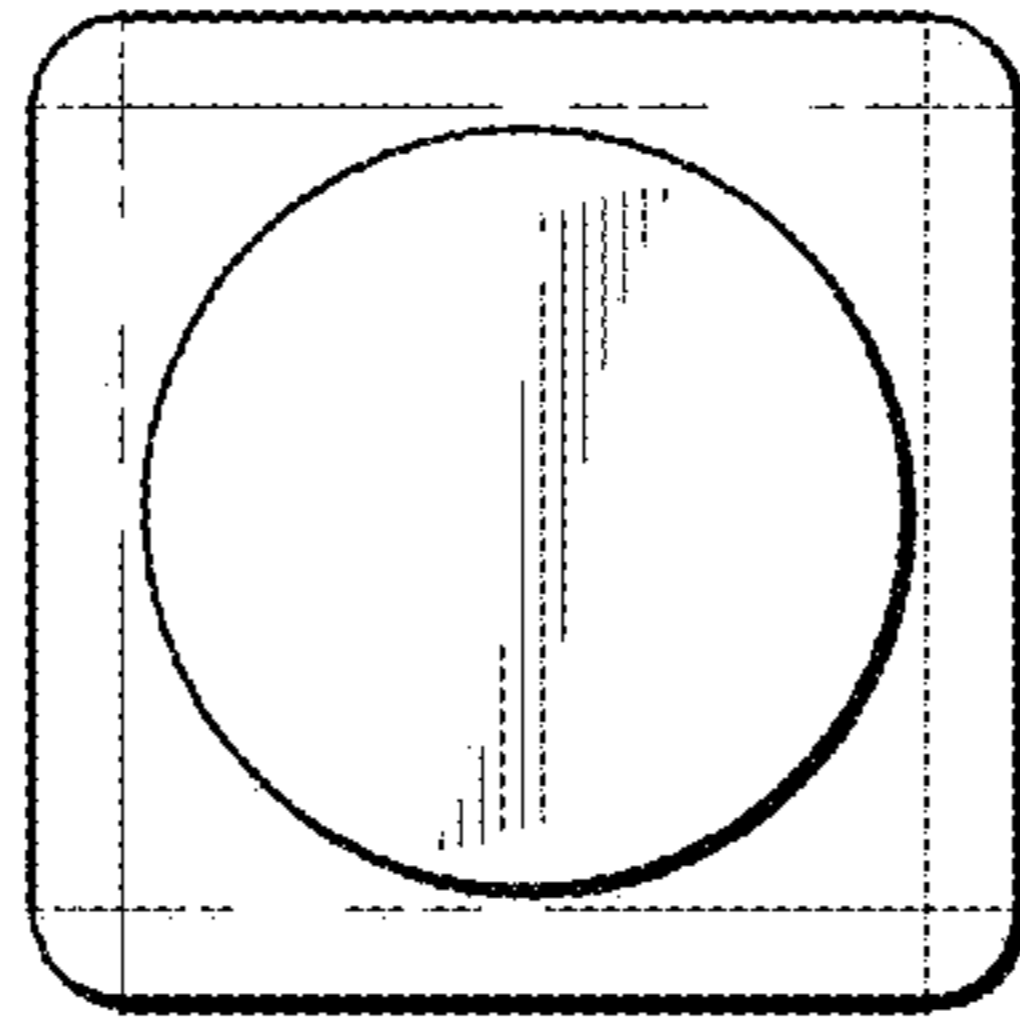


FIG. 16

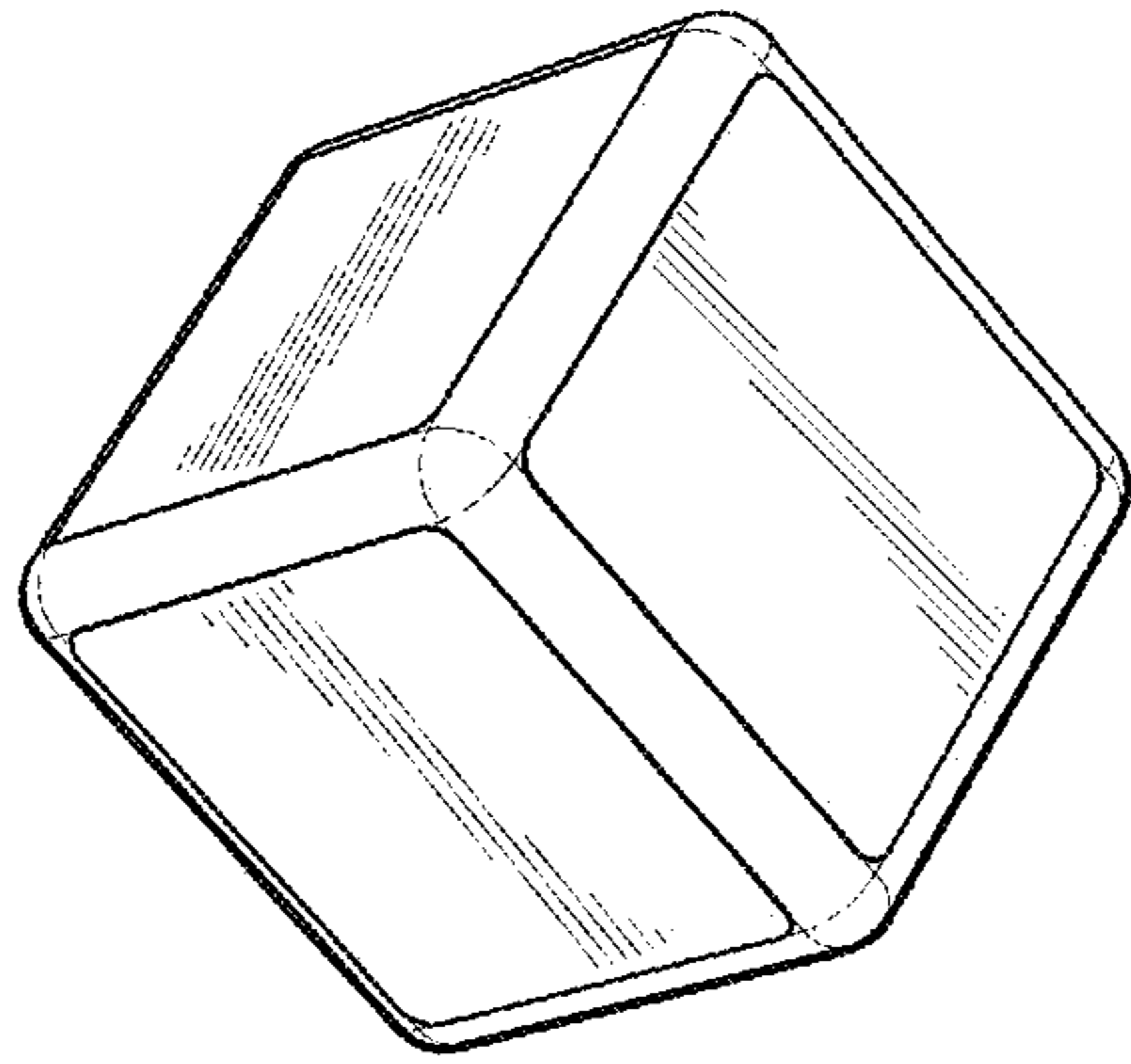


FIG. 17

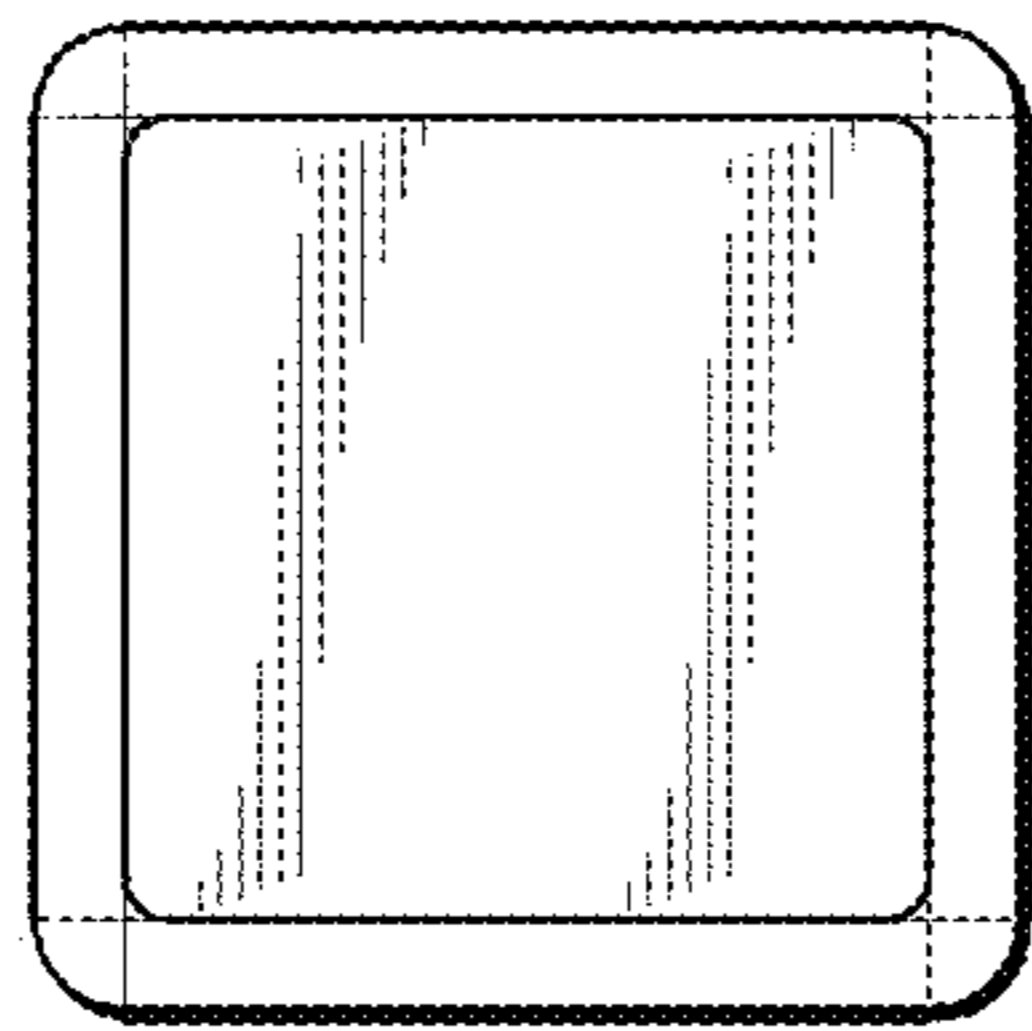


FIG. 18

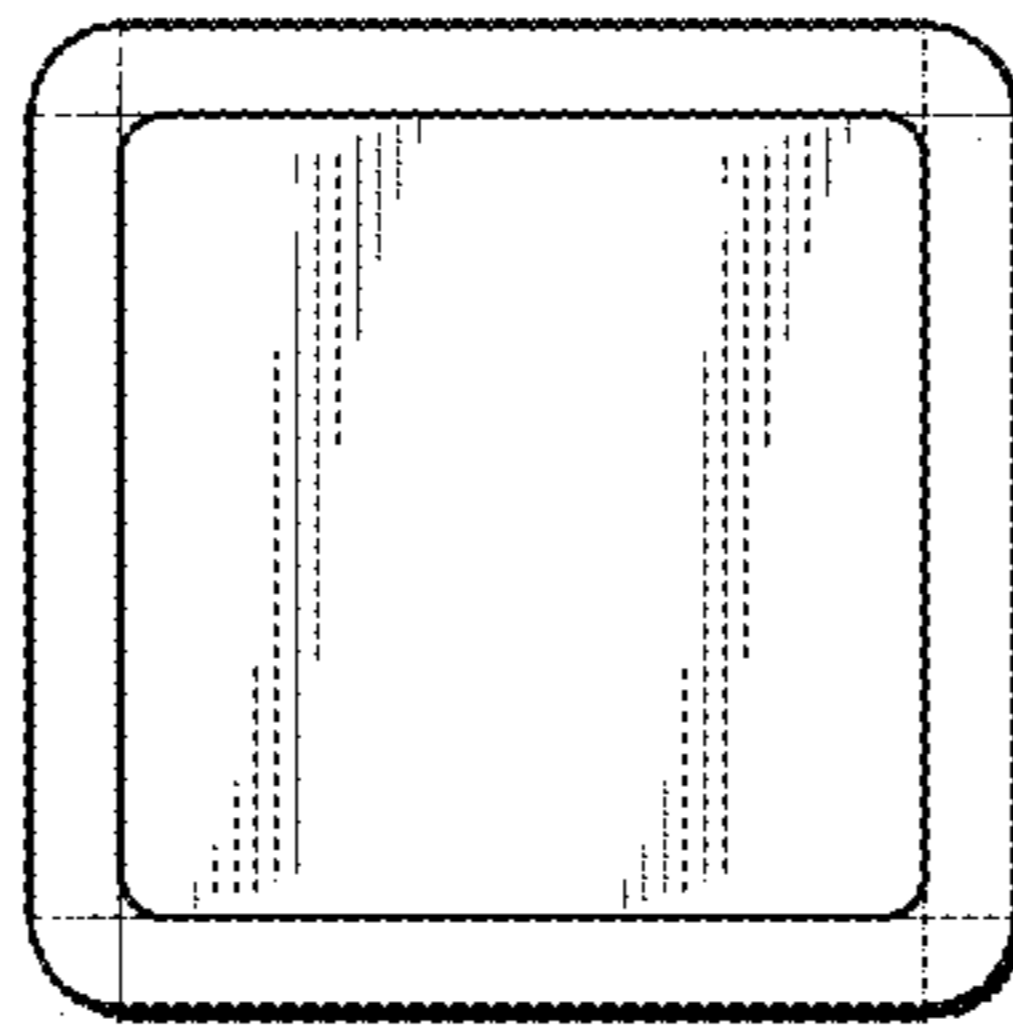


FIG. 19

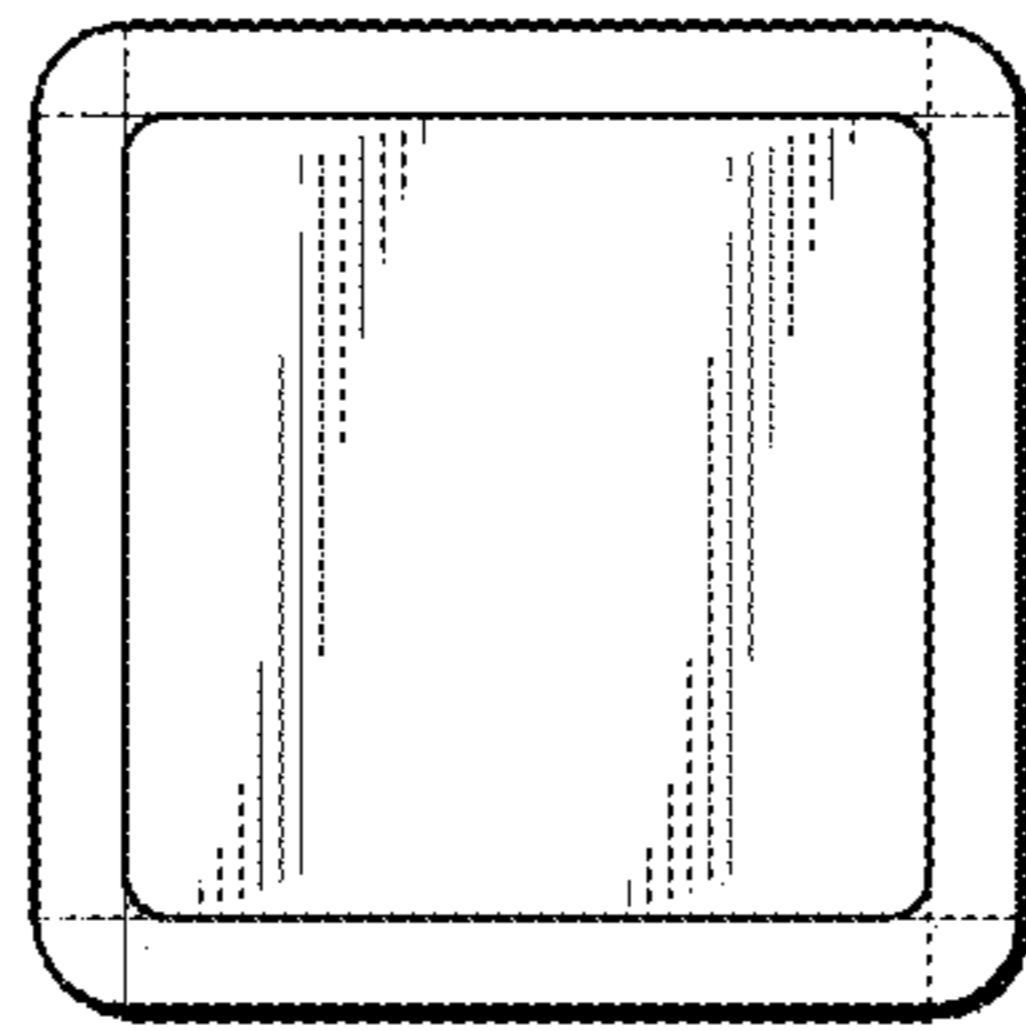


FIG. 20

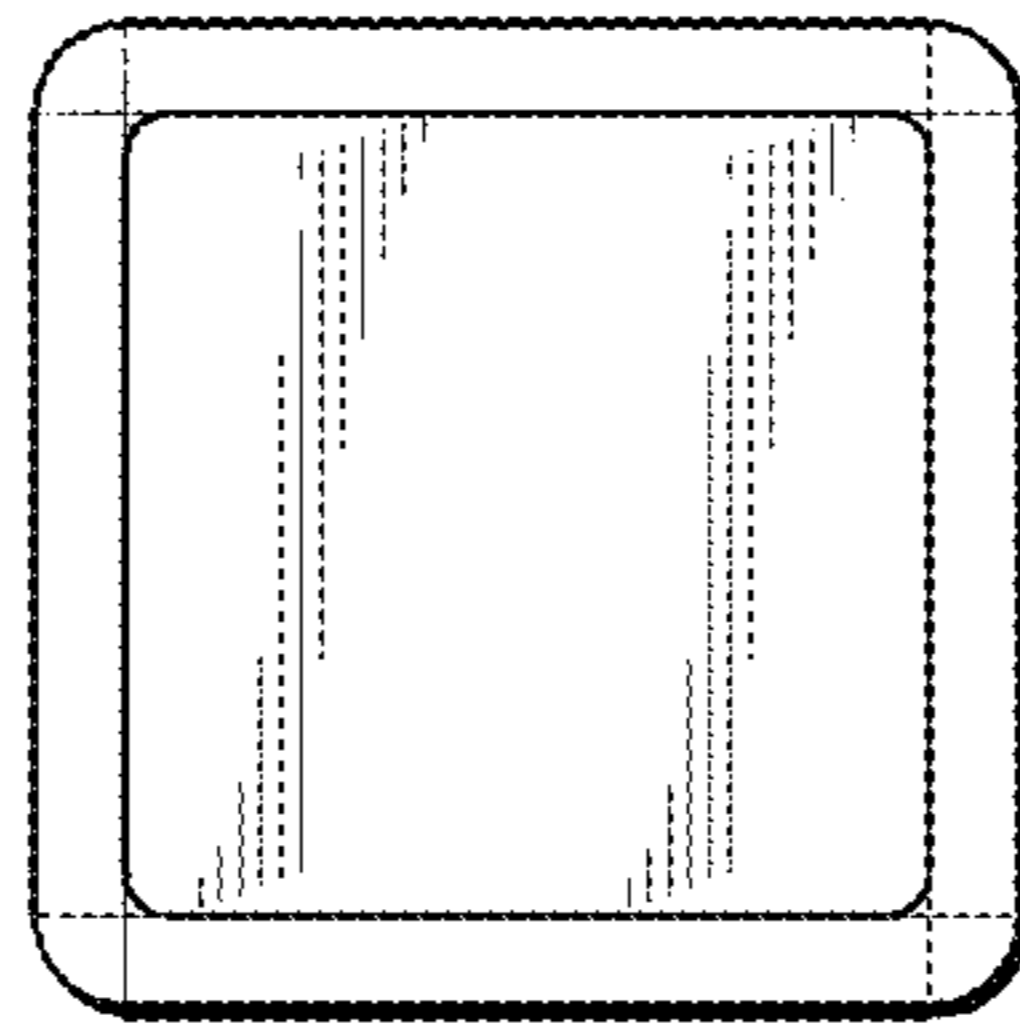


FIG. 21

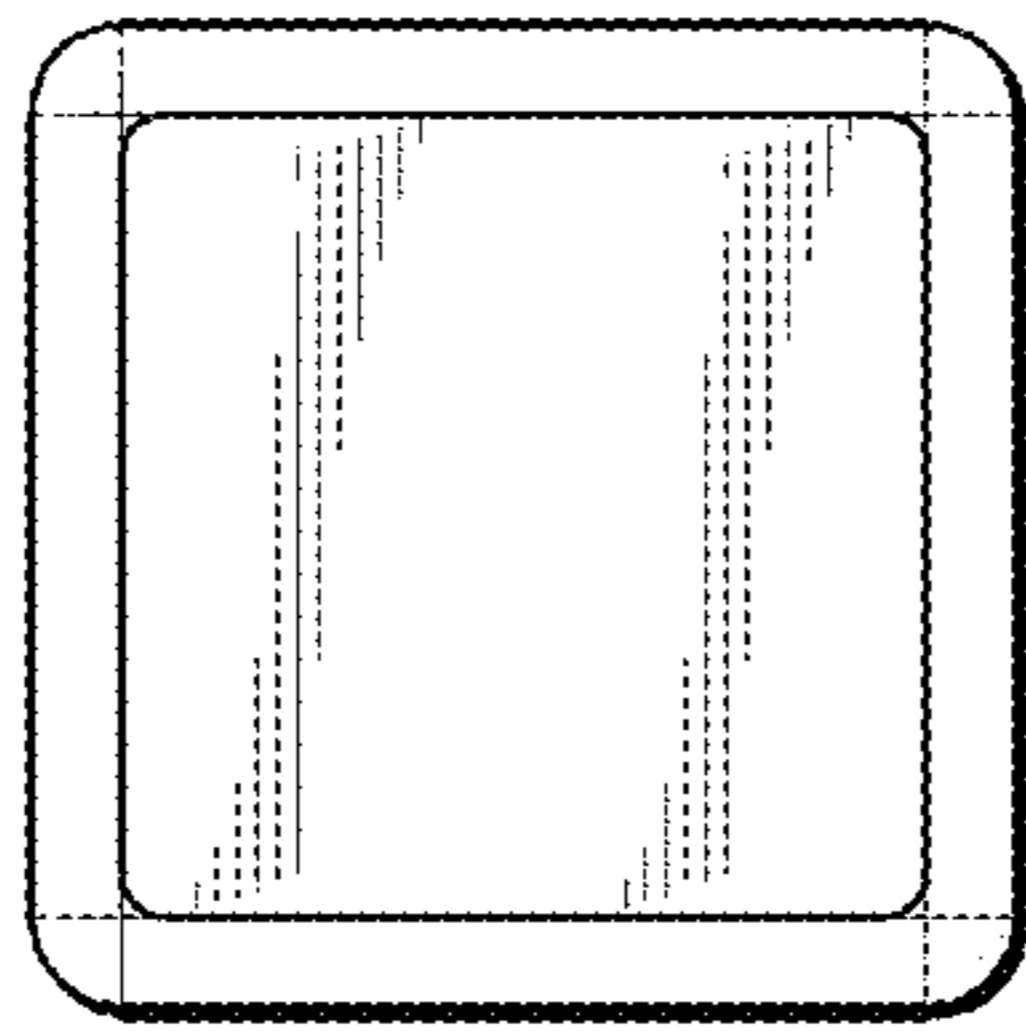


FIG. 22

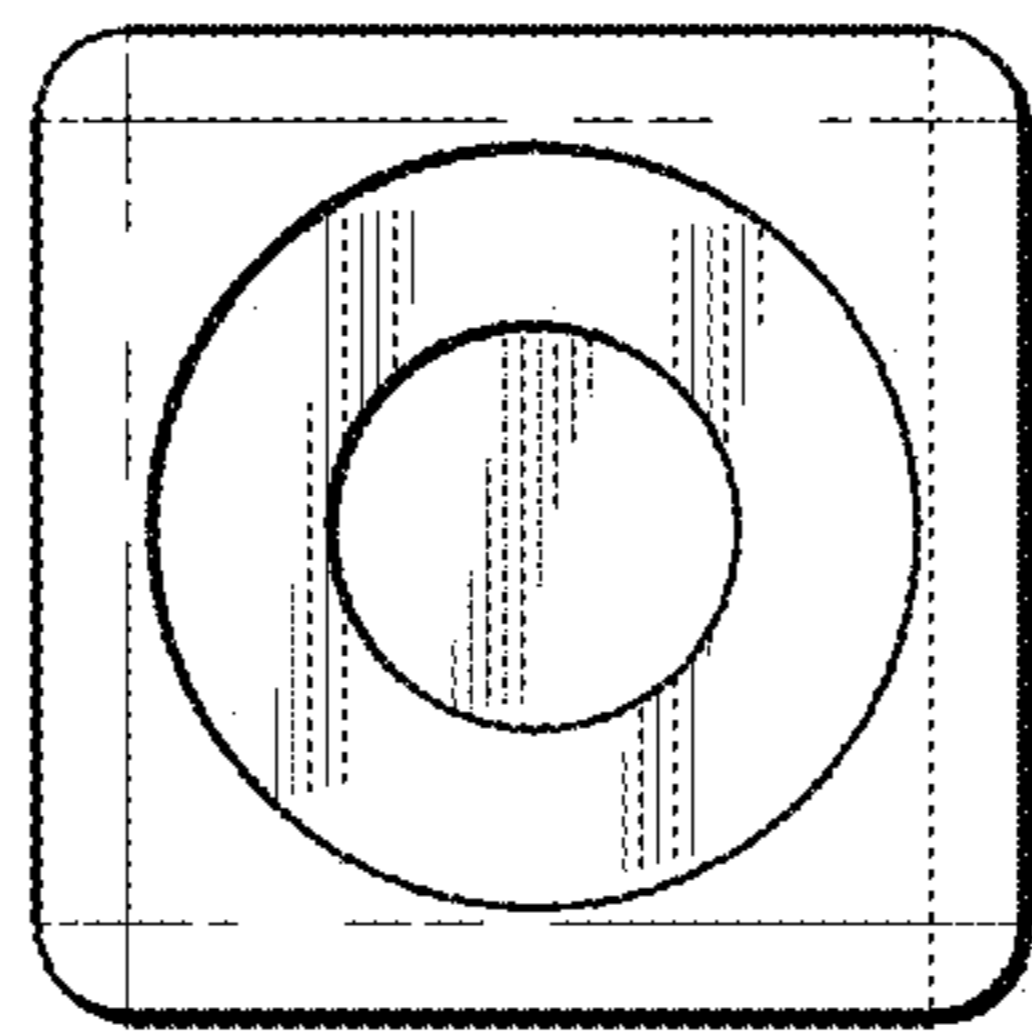


FIG. 23