



US00D689925S

(12) **United States Design Patent**  
**Nagashima et al.**

(10) **Patent No.:** **US D689,925 S**

(45) **Date of Patent:** **\*\* Sep. 17, 2013**

(54) **INK CARTRIDGE**

(71) Applicant: **Seiko Epson Corporation**, Tokyo (JP)

(72) Inventors: **Takumi Nagashima**, Shiojiri (JP);  
**Yoshihiro Koizumi**, Shiojiri (JP); **Ryota Takahashi**, Matsumoto (JP)

(73) Assignee: **Seiko Epson Corporation** (JP)

(\*\*) Term: **14 Years**

(21) Appl. No.: **29/441,977**

(22) Filed: **Jan. 11, 2013**

(30) **Foreign Application Priority Data**

Aug. 30, 2012 (JP) ..... 2012-020841

(51) **LOC (9) Cl.** ..... **14-02**

(52) **U.S. Cl.**  
USPC ..... **D18/56**

(58) **Field of Classification Search**  
USPC ..... D18/40, 43, 56; 347/86-87  
See application file for complete search history.

(56) **References Cited**

**U.S. PATENT DOCUMENTS**

D409,236 S \* 5/1999 Fujii et al. .... D18/56  
D448,797 S \* 10/2001 Carrese et al. .... D18/56

6,814,433 B2 \* 11/2004 Putman et al. .... 347/86  
7,040,744 B2 \* 5/2006 Shinada ..... 347/86  
8,162,457 B2 \* 4/2012 Nakamura et al. .... 347/86  
D680,583 S \* 4/2013 Harada ..... D18/56

\* cited by examiner

*Primary Examiner* — Cathy A MacCormac

(74) *Attorney, Agent, or Firm* — Harness, Dickey & Pierce,  
P.L.C.

(57) **CLAIM**

The ornamental design for an ink cartridge, as shown and described.

**DESCRIPTION**

FIG. 1 is a perspective view of an ink cartridge, as viewed from the top, front and right side, embodying our new design; FIG. 2 is a perspective view thereof, as viewed from the bottom, rear and left side;

FIG. 3 is a front view thereof;

FIG. 4 is a rear view thereof;

FIG. 5 is a left side view thereof;

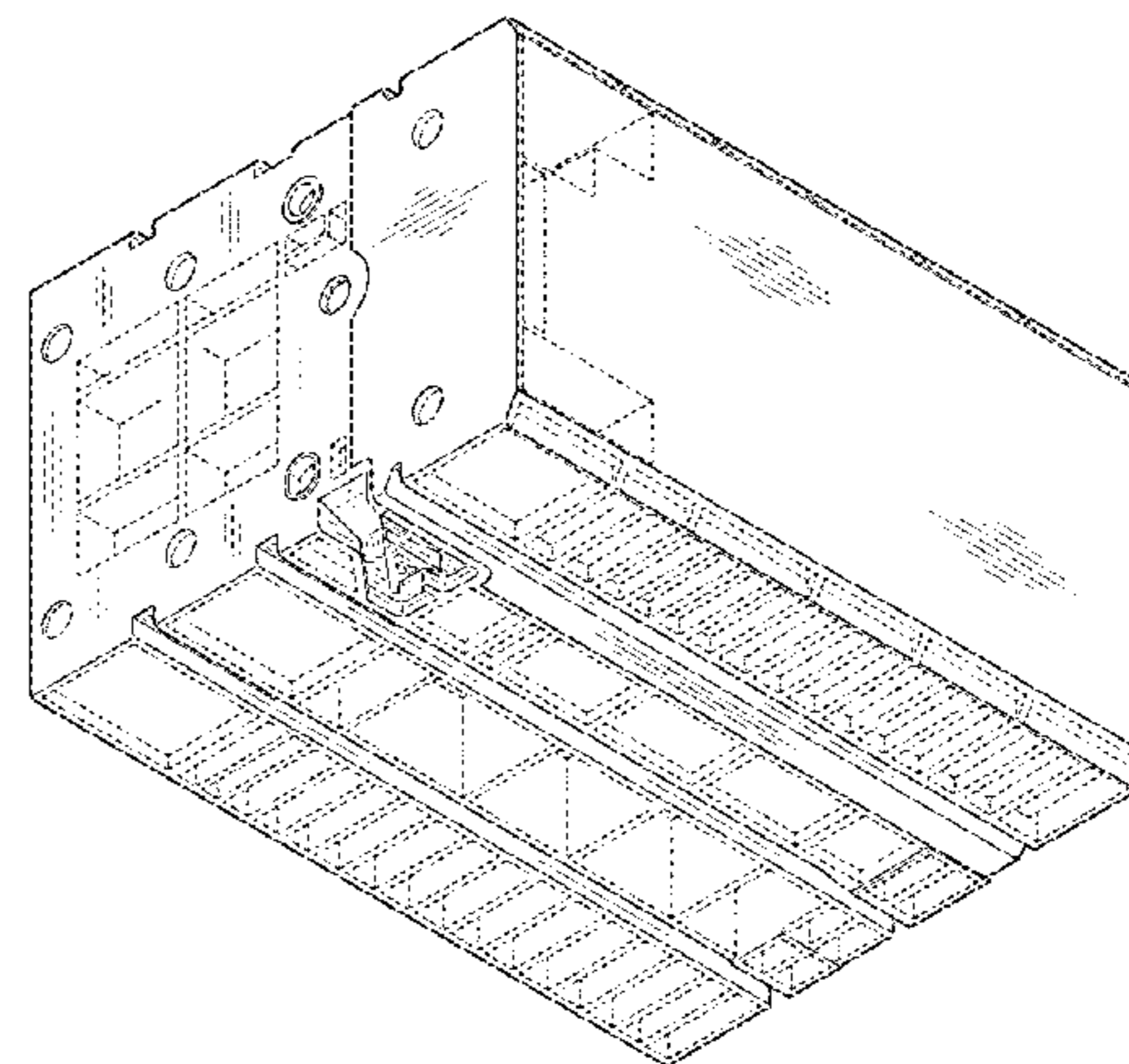
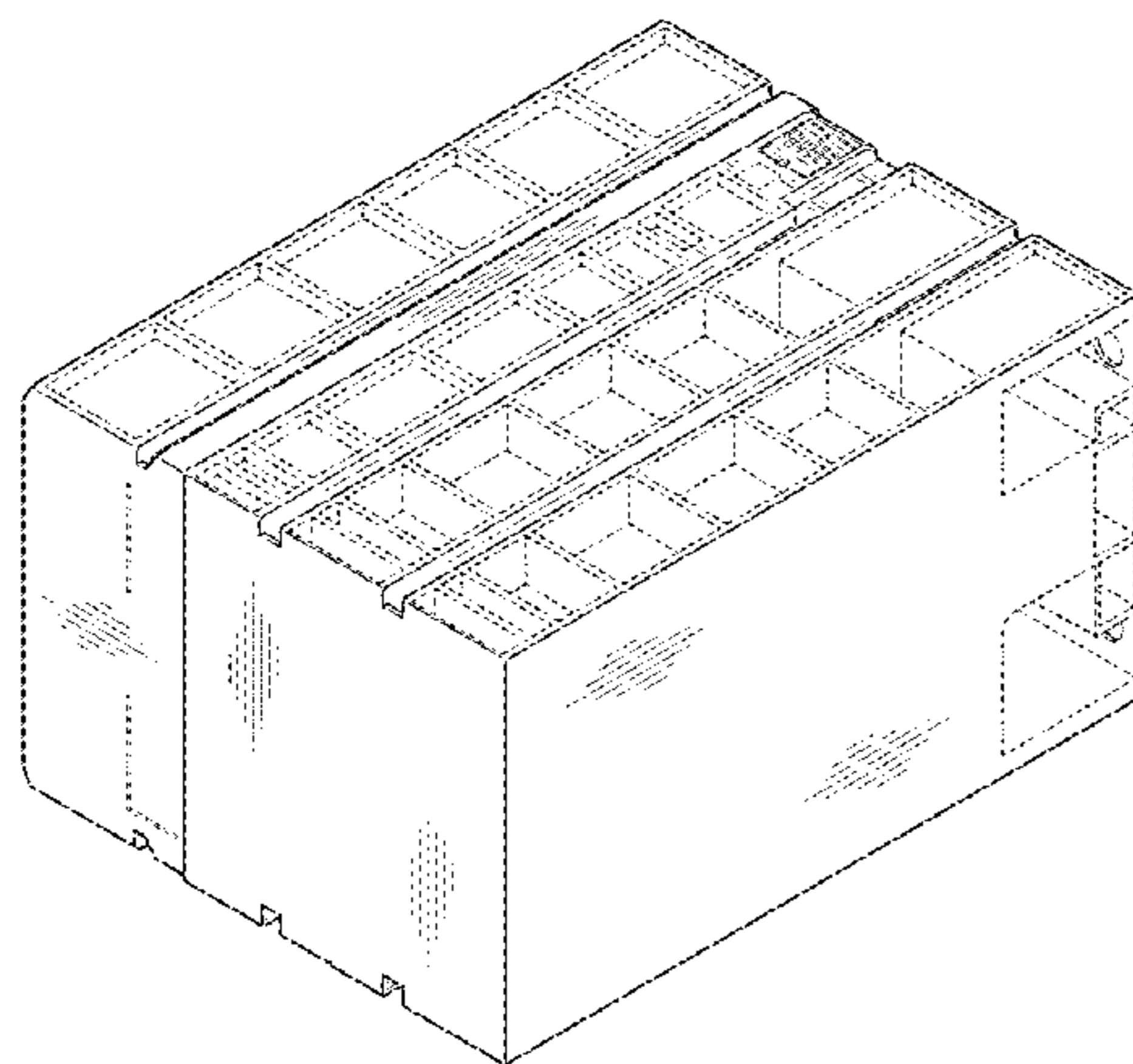
FIG. 6 is a right side view thereof;

FIG. 7 is a top view thereof; and,

FIG. 8 is a bottom view thereof.

The broken lines are for illustrative purposes only and form no part of the claimed invention.

**1 Claim, 4 Drawing Sheets**



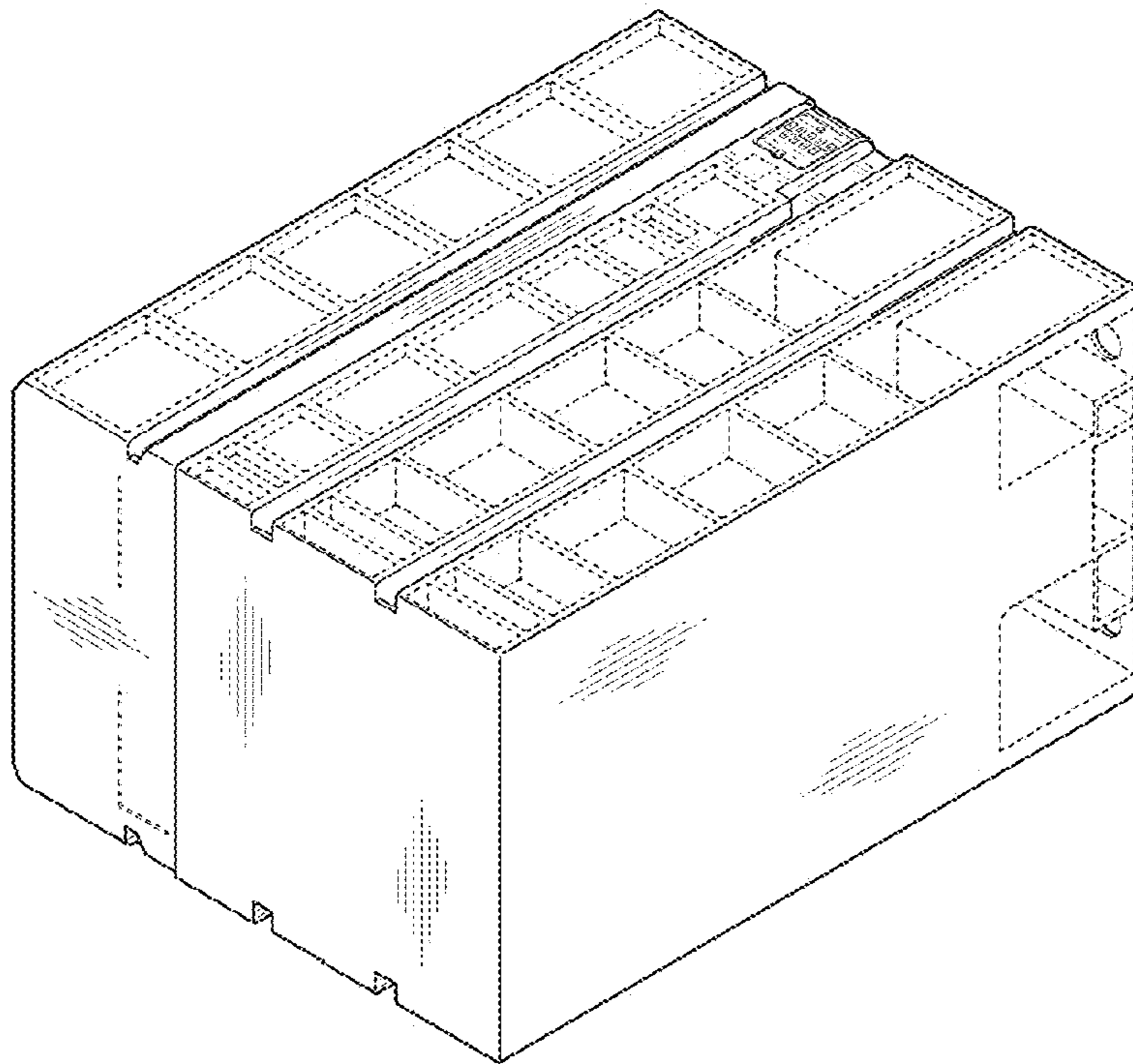


FIG. 1

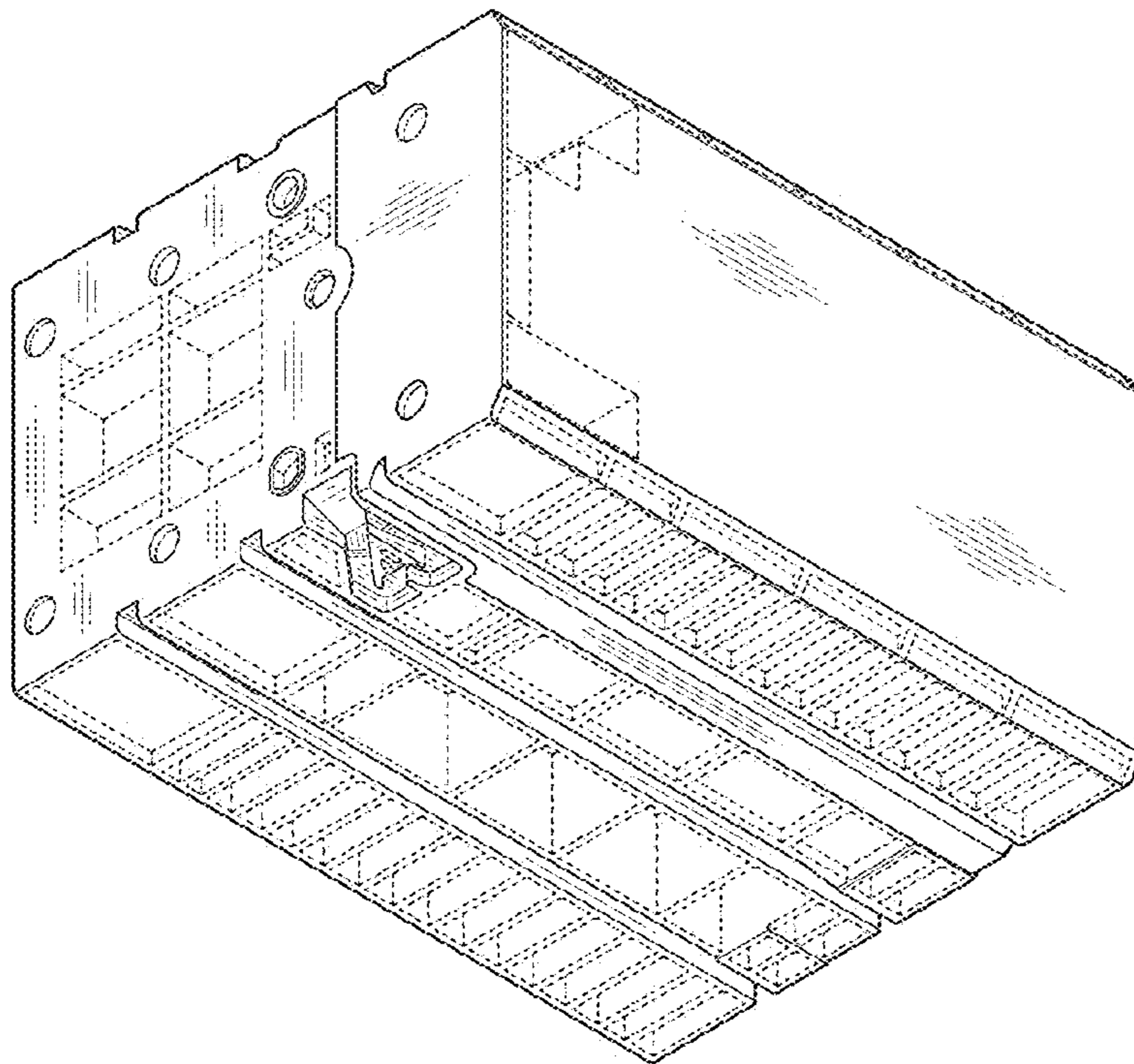


FIG. 2

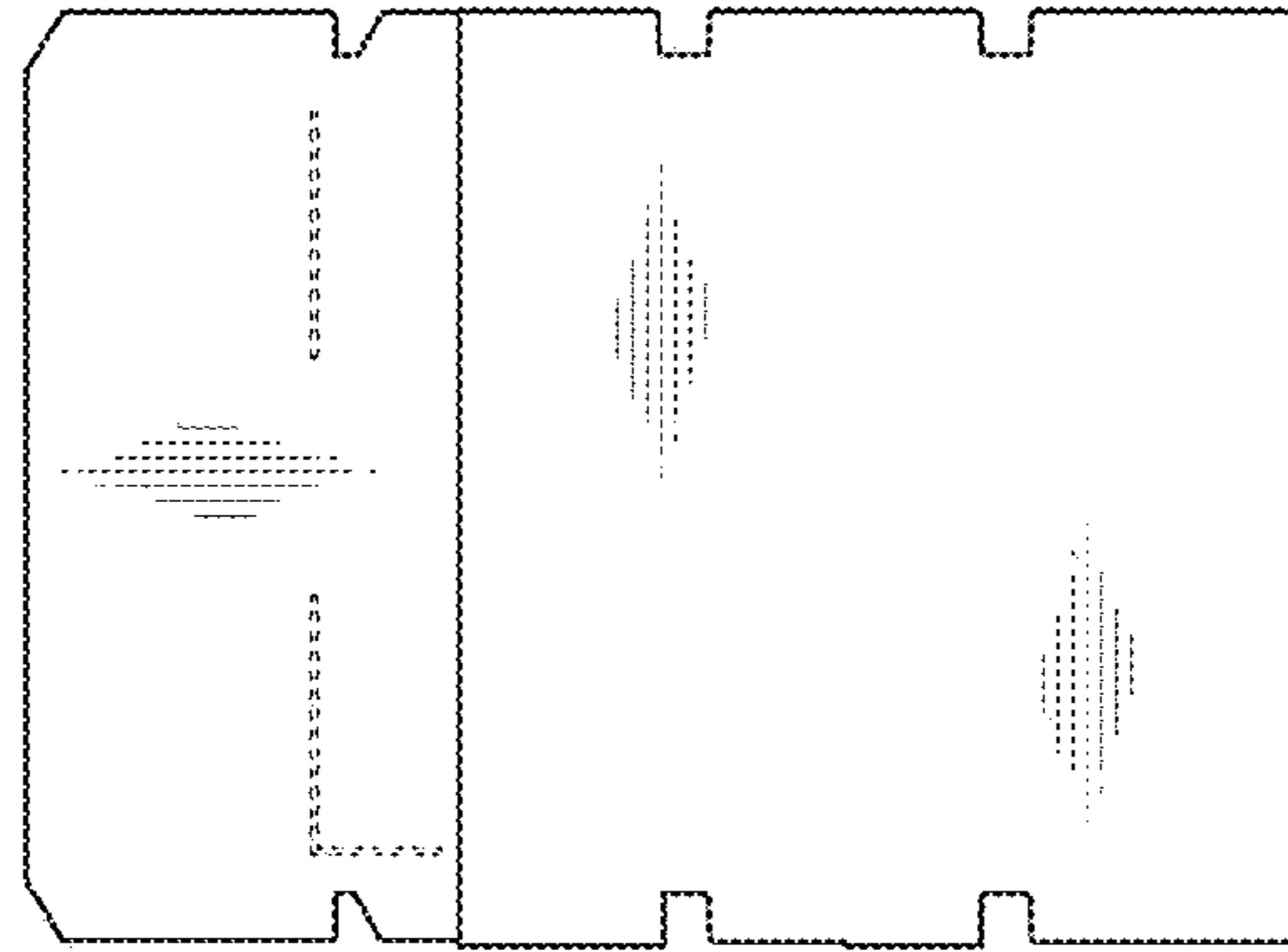


FIG. 3

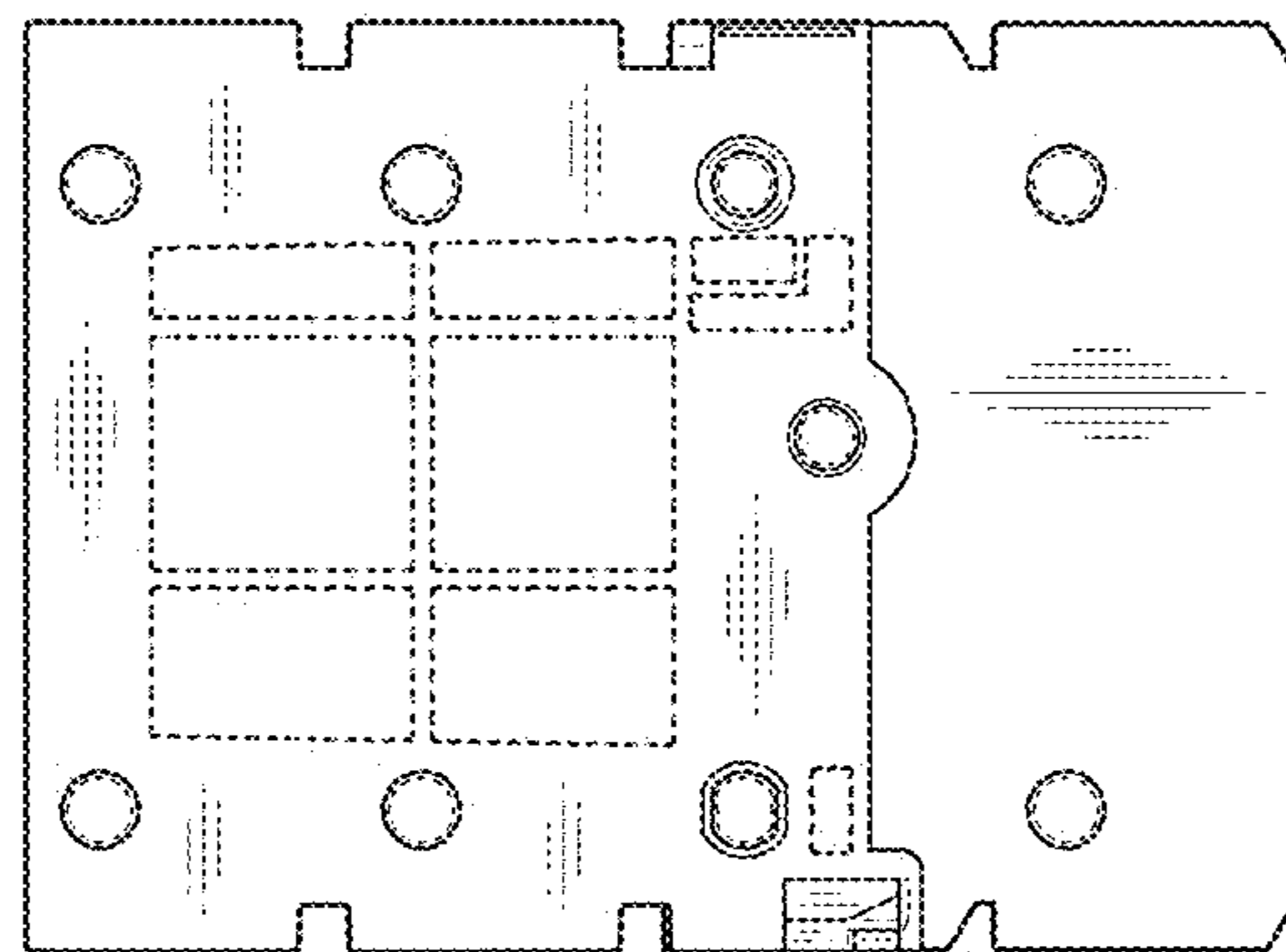


FIG. 4

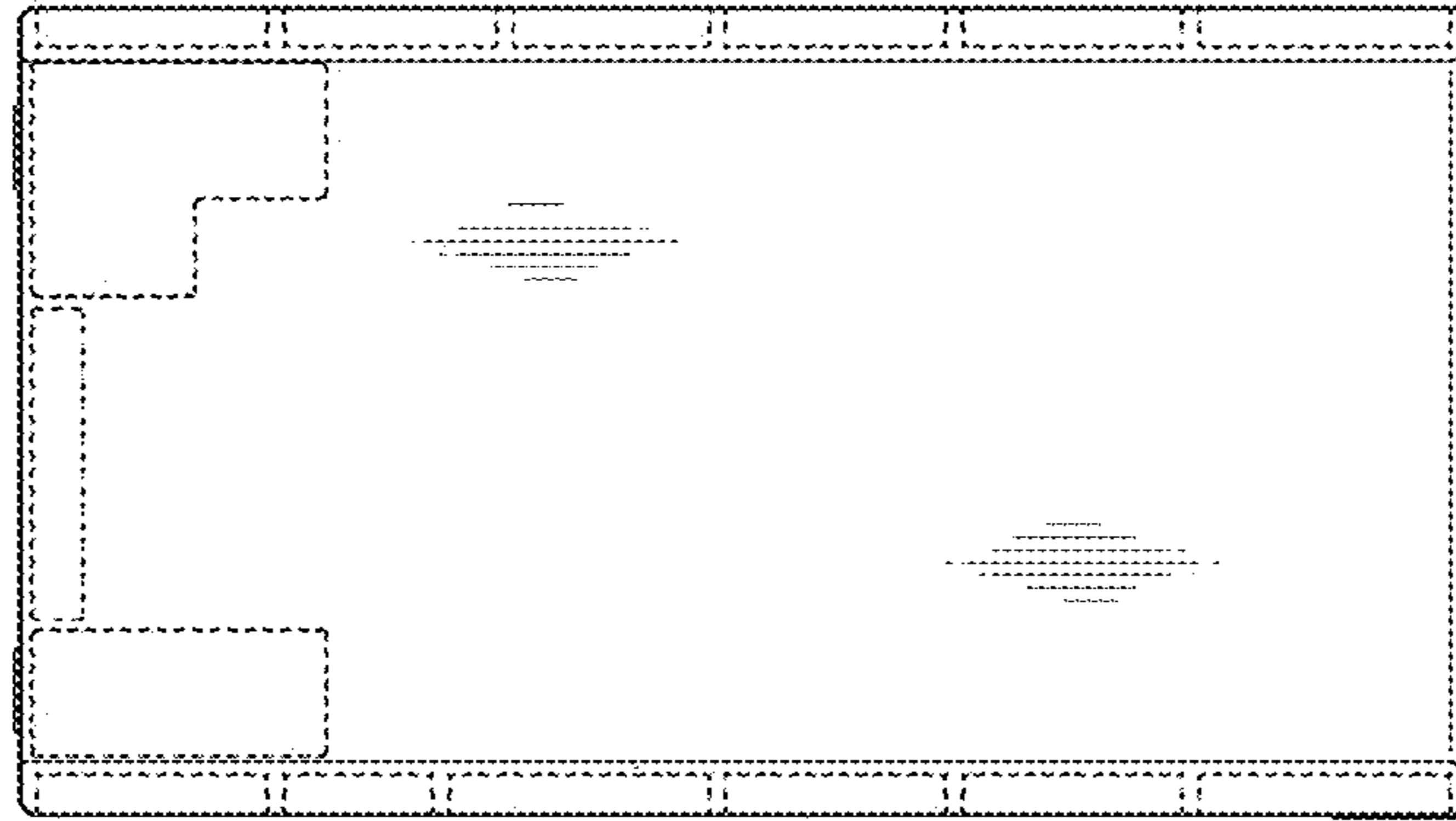


FIG. 5

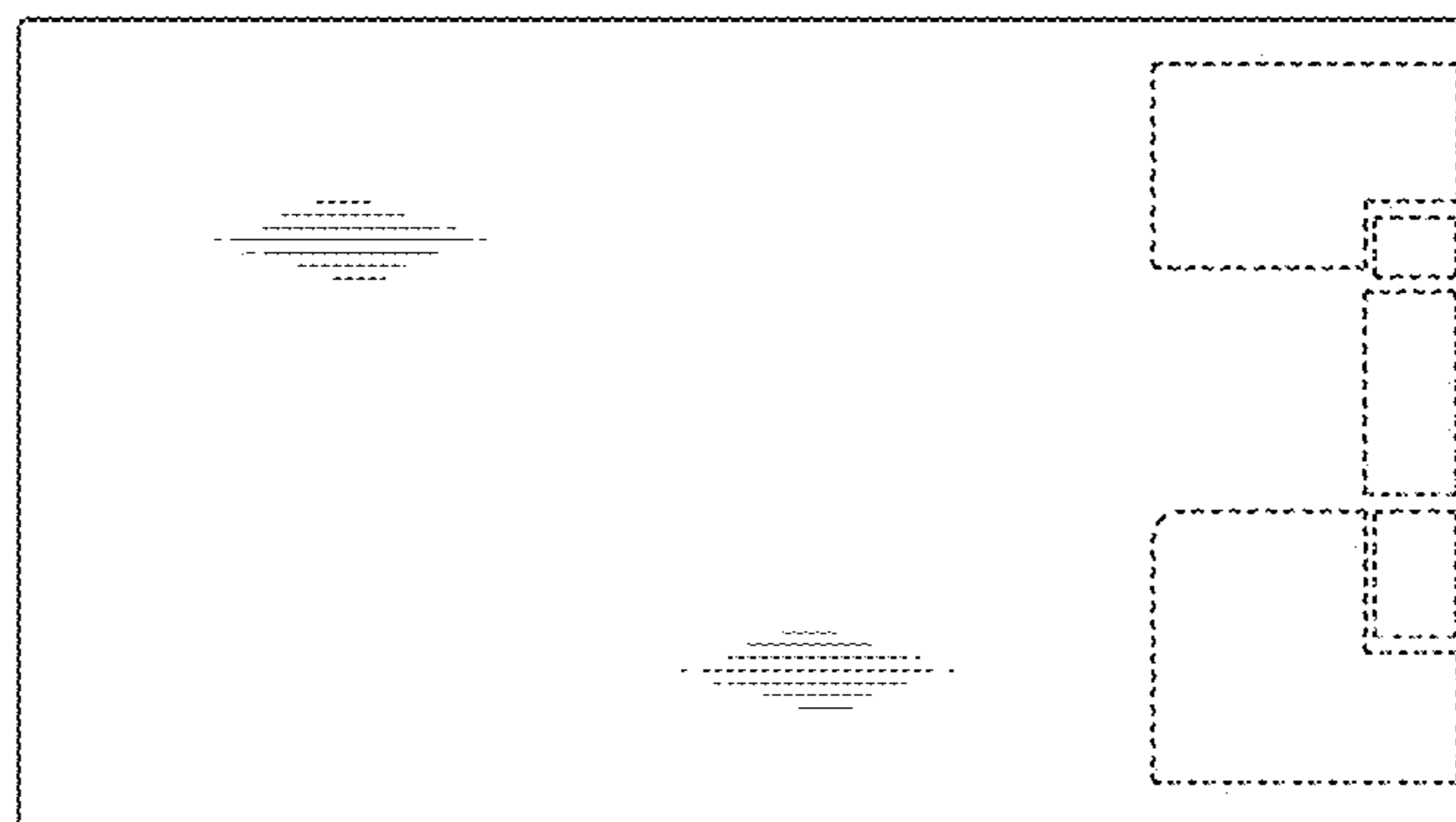


FIG. 6

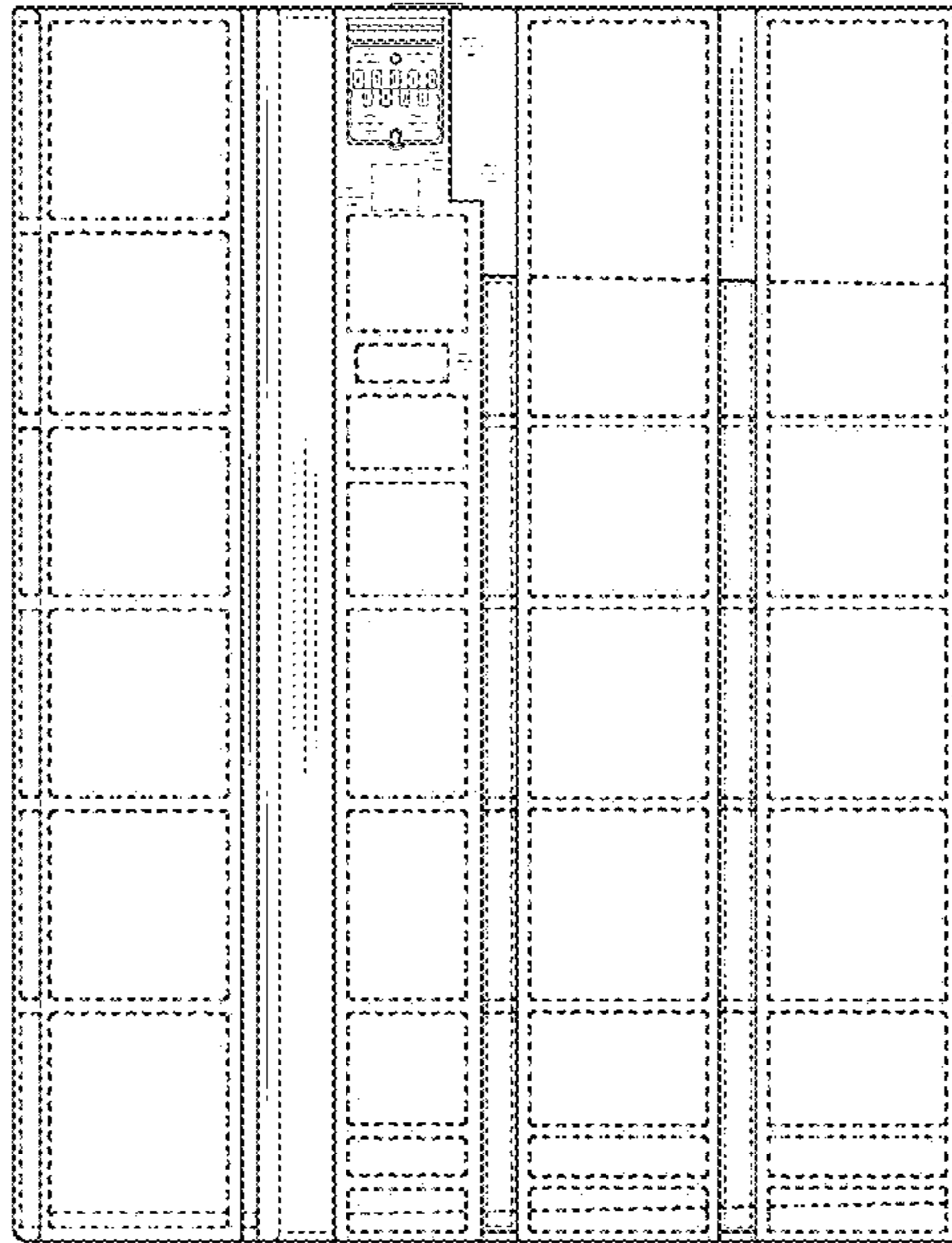


FIG. 7

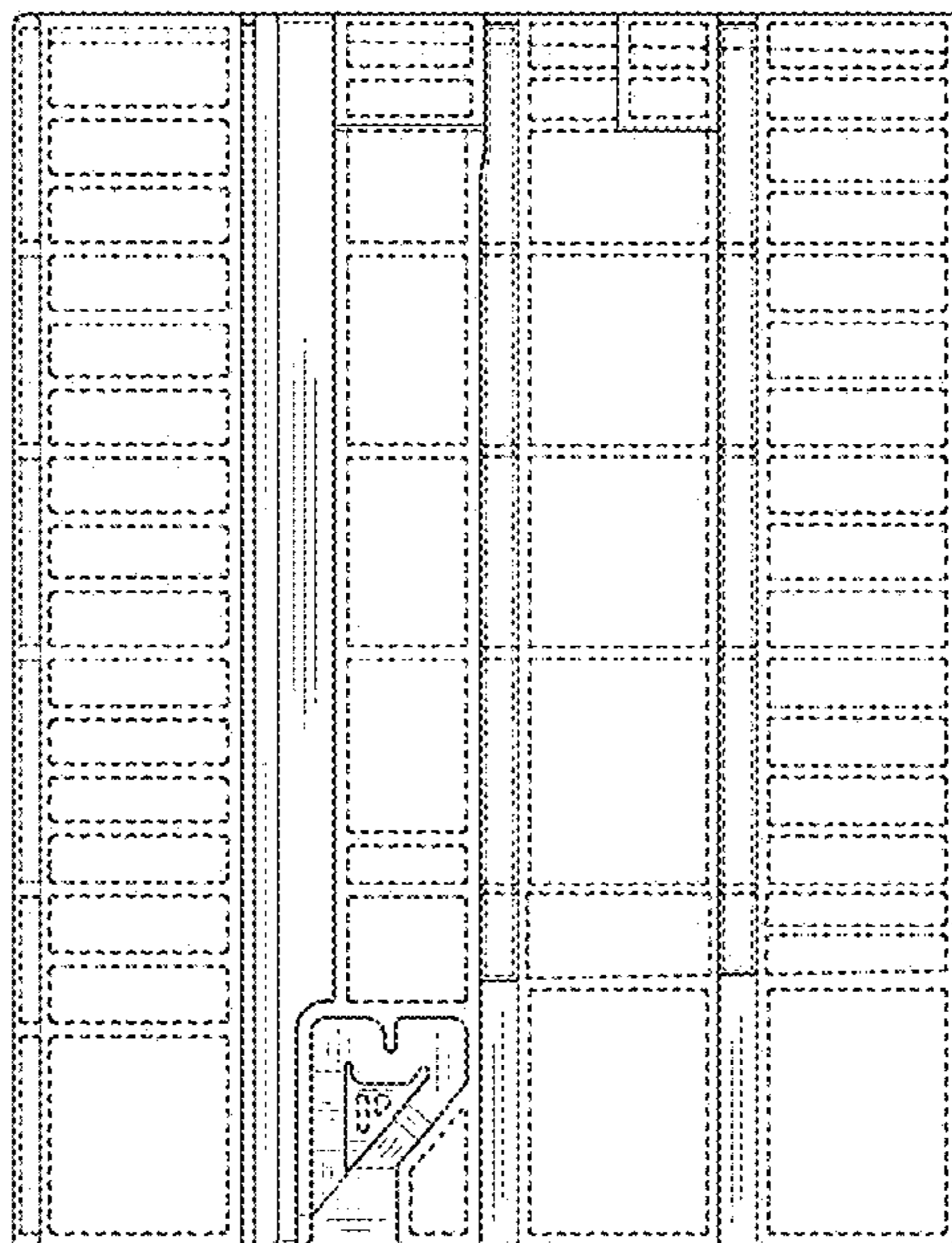


FIG. 8