



US00D689921S

(12) **United States Design Patent**  
**Branck et al.**

(10) **Patent No.:** **US D689,921 S**

(45) **Date of Patent:** **\*\* Sep. 17, 2013**

(54) **POINT OF SALE DISPLAY**

(75) Inventors: **James David Branck**, Frankfort, NY (US); **Bernard Wesley Baker, Jr.**, Herkimer, NY (US); **Brian D. Johnson**, Utica, NY (US); **William J. Williams**, Hartford, NY (US)

(73) Assignee: **Par Technology Corporation**, New Hartford, NY (US)

(\*\*) Term: **14 Years**

(21) Appl. No.: **29/429,788**

(22) Filed: **Aug. 16, 2012**

(51) **LOC (9) Cl.** ..... **18-01**

(52) **U.S. Cl.**  
USPC ..... **D18/4.6**

(58) **Field of Classification Search**  
USPC ..... D14/336, 371–376, 387; D18/3.1–3.3, D18/4.1–4.6, 12.1–12.3; D21/324, 325, D21/332; D99/28, 34–36, 43; 235/1 E, 2, 235/7 R, 12, 22, 33, 51, 52; 705/12, 15–18, 705/43

See application file for complete search history.

(56) **References Cited**

**U.S. PATENT DOCUMENTS**

D362,427 S \* 9/1995 Mizusugi et al. .... D18/4.4  
D385,903 S \* 11/1997 Kim ..... D18/4.4

D385,904 S \* 11/1997 Kim ..... D18/4.4  
D389,813 S \* 1/1998 Itoh ..... D18/4.5  
D451,535 S \* 12/2001 Lee ..... D18/4.6  
D507,592 S \* 7/2005 Mizusugi et al. .... D18/4.1  
D535,335 S \* 1/2007 Mandel ..... D18/2  
D573,593 S \* 7/2008 Sasaki et al. .... D14/307  
D640,252 S \* 6/2011 Kuroda et al. .... D18/4.5

\* cited by examiner

*Primary Examiner* — Garth Rademaker

(74) *Attorney, Agent, or Firm* — George R. McGuire; Bond Schoeneck & King, PLLC

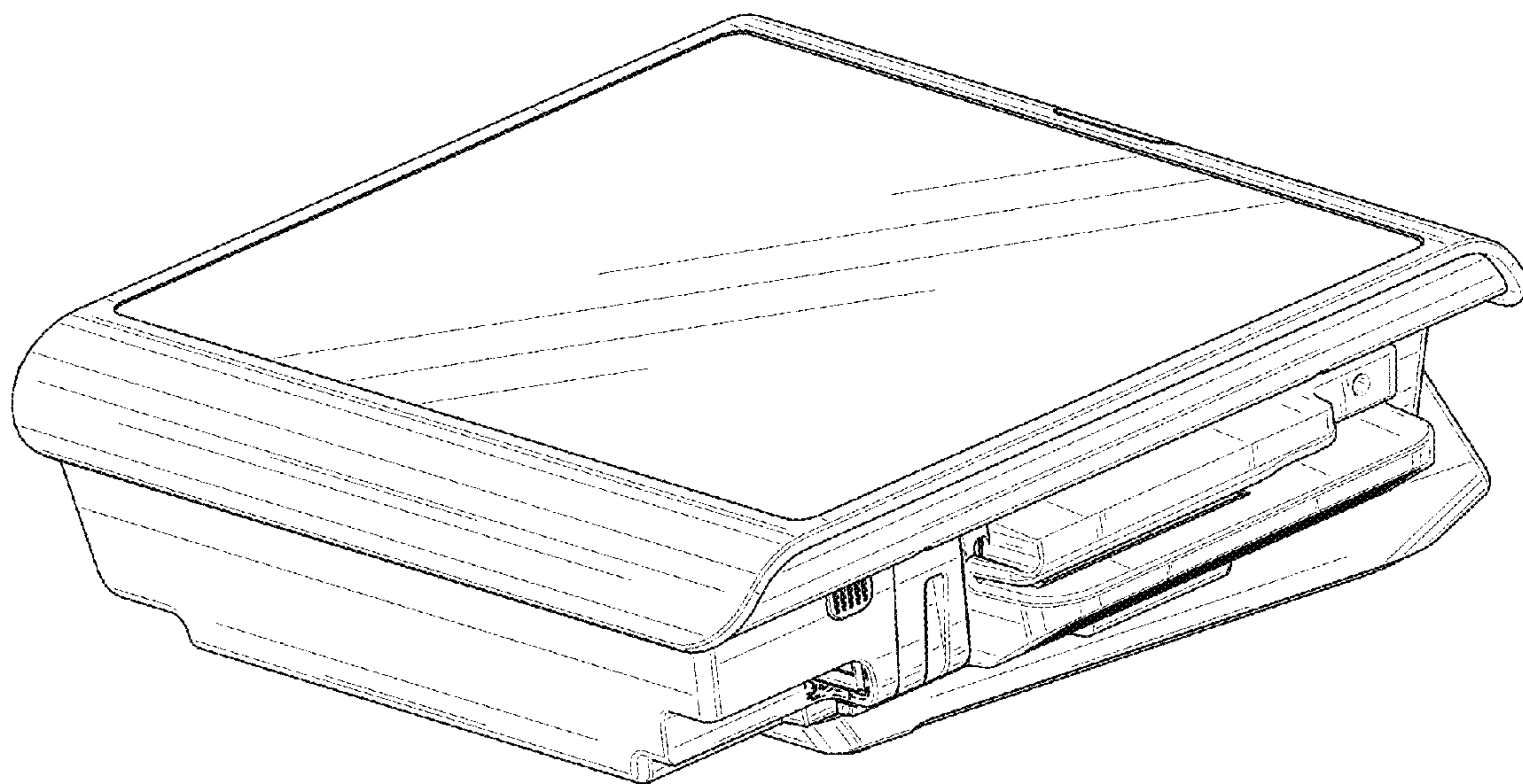
(57) **CLAIM**

The ornamental design for a point of sale display, as shown and described.

**DESCRIPTION**

FIG. 1 is a perspective view of a point of sale display; FIG. 2 is a front elevation view thereof; FIG. 3 is a rear elevation view thereof; FIG. 4 is a side elevation view thereof; FIG. 5 is an opposite side elevation view thereof; FIG. 6 is a top plan view thereof; and, FIG. 7 is a bottom plan view thereof. The broken lines included in the drawings illustrate environmental subject matter which forms no part of the claimed design.

**1 Claim, 7 Drawing Sheets**



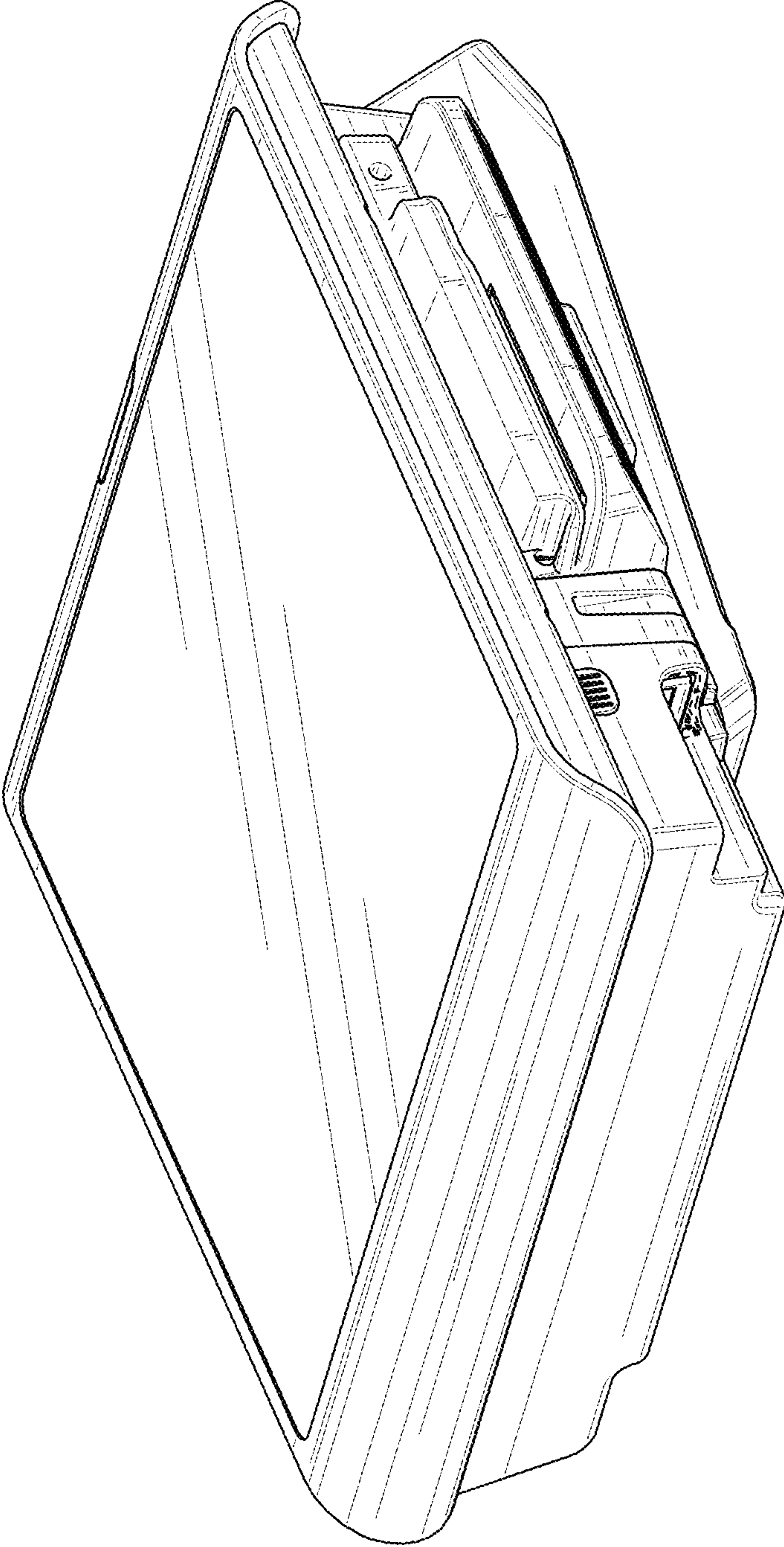


FIG. 1

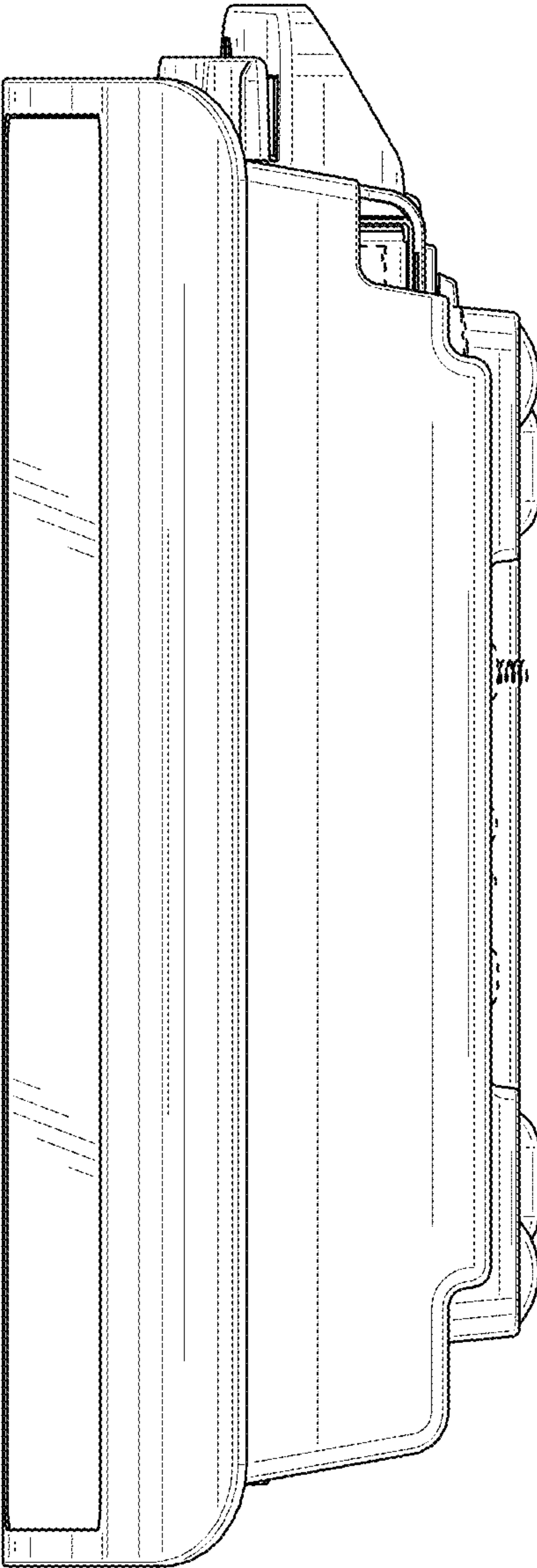


FIG. 2

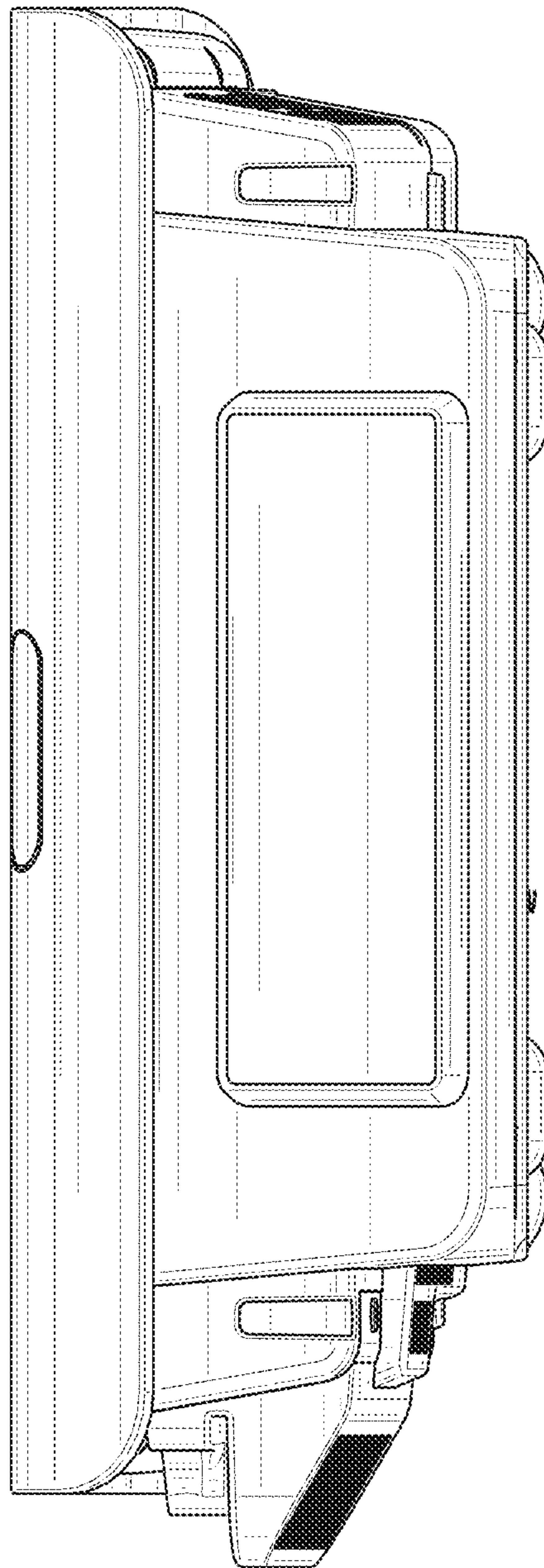


FIG. 3



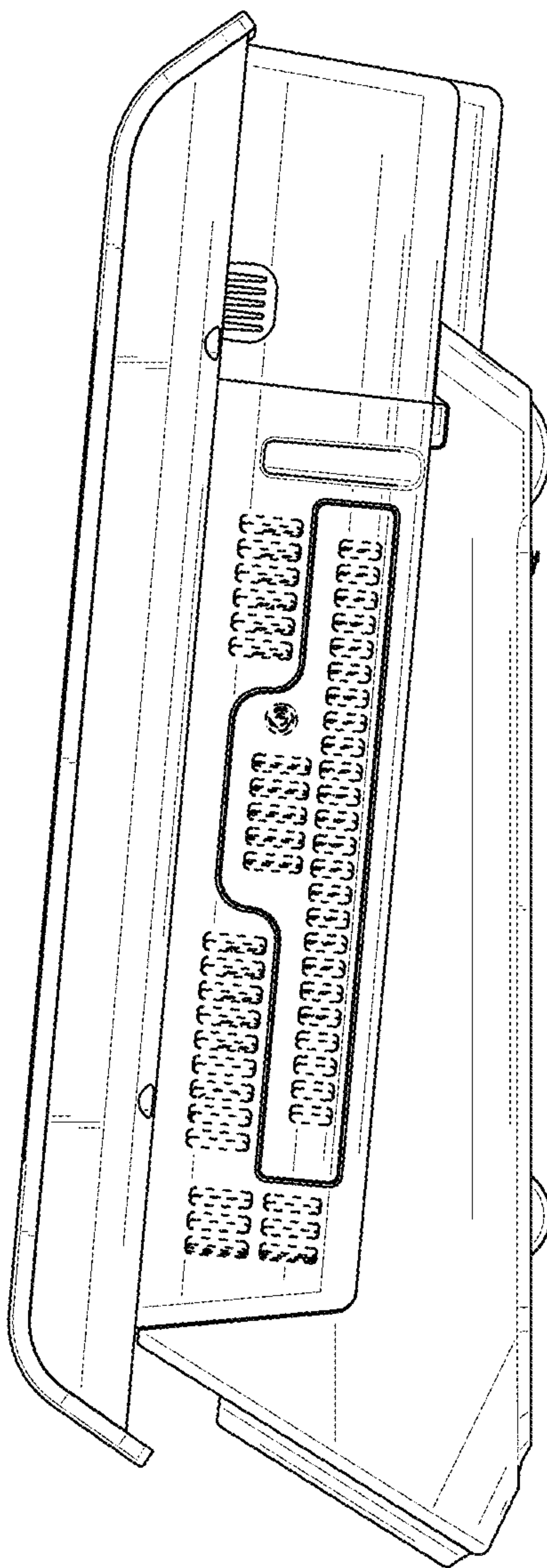


FIG. 4

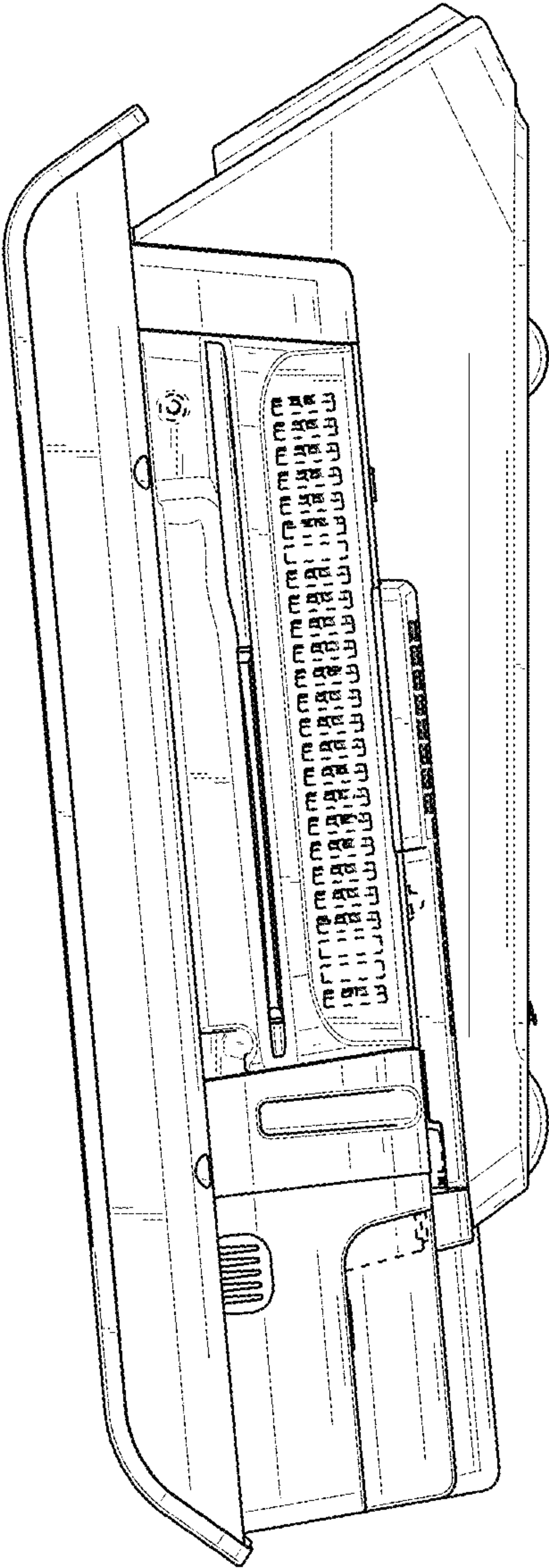


FIG. 5

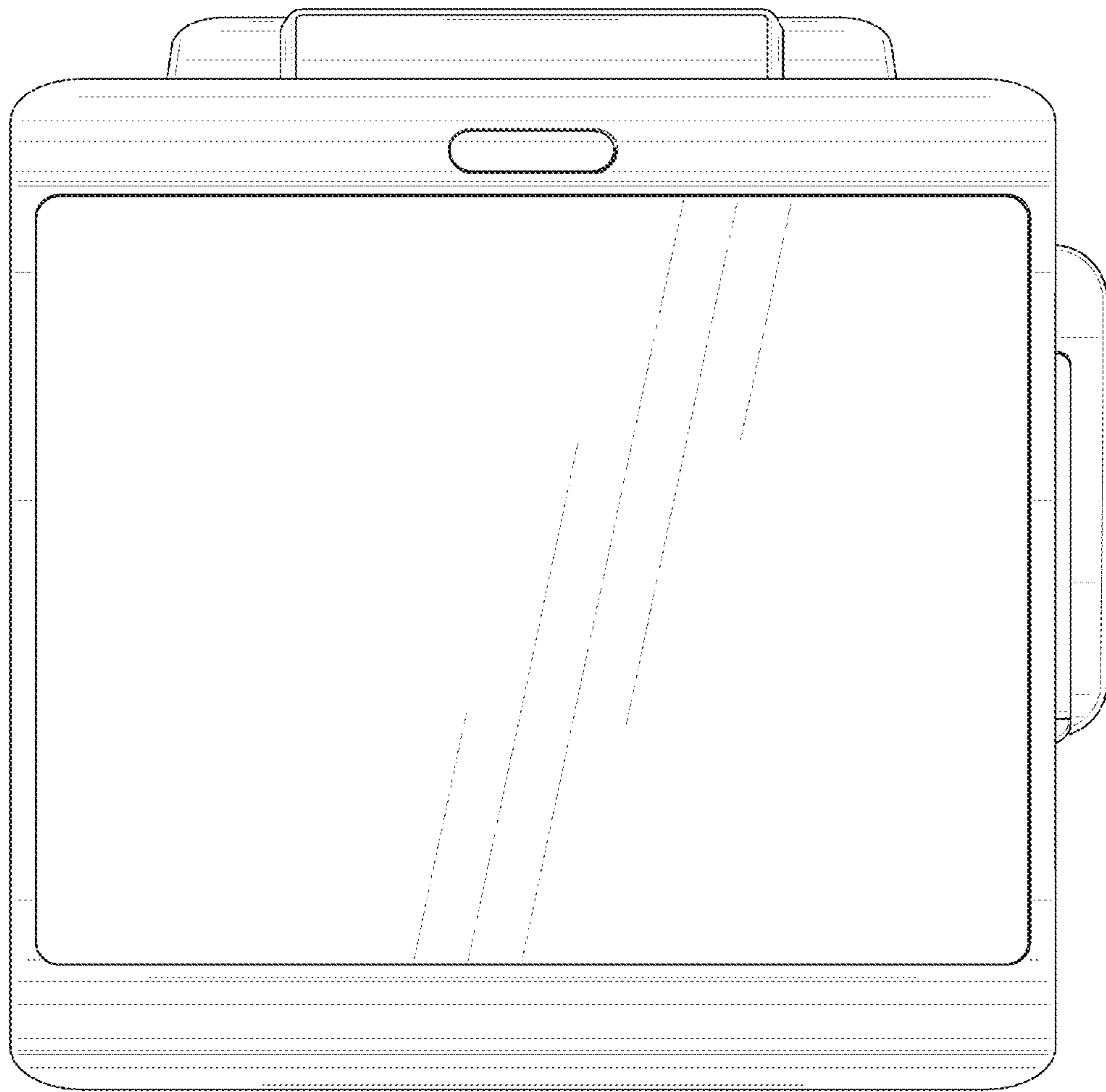


FIG. 6

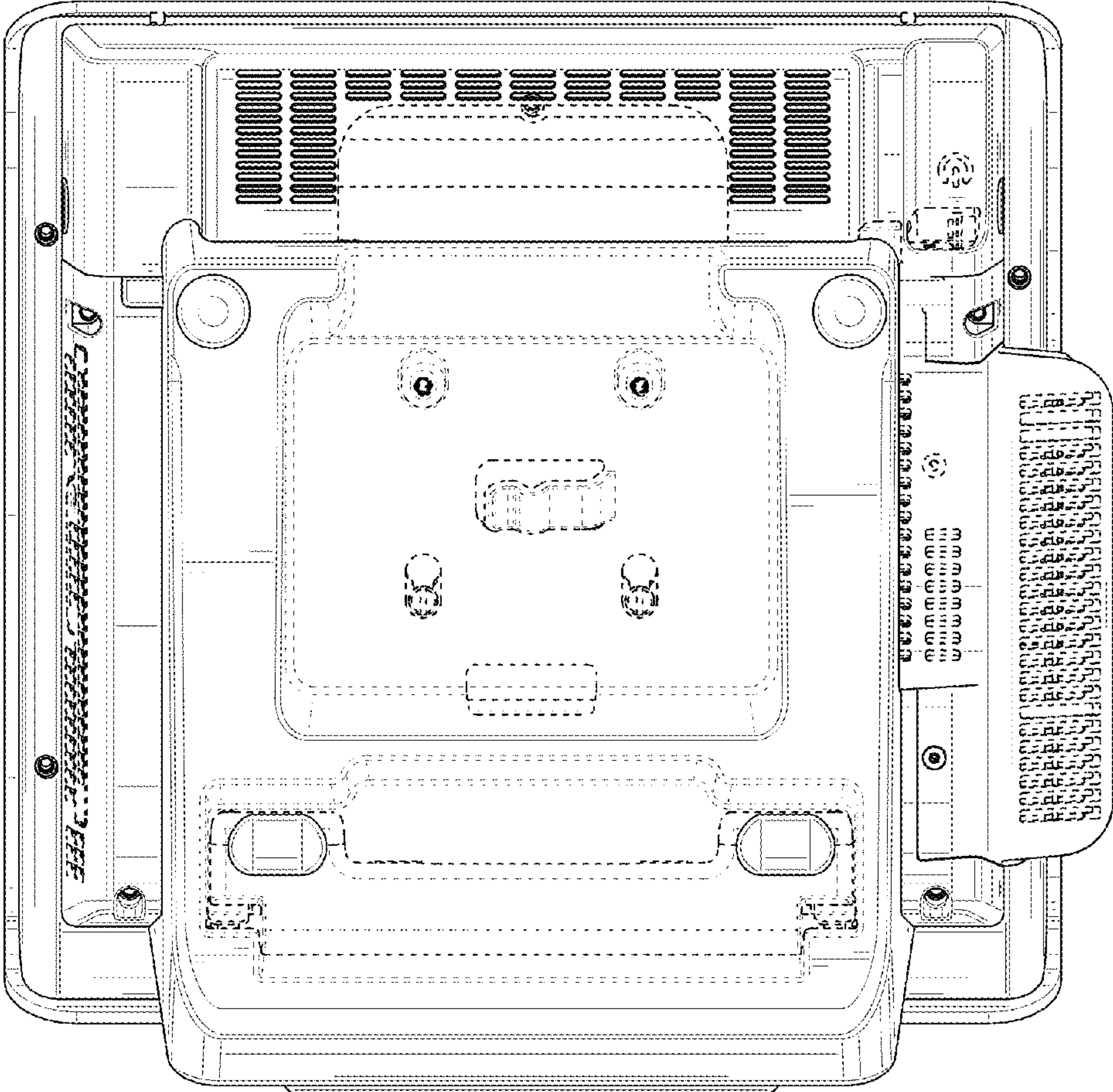


FIG. 7