



US00D689920S

(12) **United States Design Patent**
Harmon

(10) **Patent No.:** **US D689,920 S**

(45) **Date of Patent:** **** Sep. 17, 2013**

(54) **GUITAR BODY**

(76) Inventor: **Thomas Henry Harmon**, Vancouver, WA (US)

(**) Term: **14 Years**

(21) Appl. No.: **29/374,341**

(22) Filed: **Aug. 1, 2011**

(51) **LOC (9) Cl.** **17-03**

(52) **U.S. Cl.**
USPC **D17/20**

(58) **Field of Classification Search**
USPC D17/14, 18; 84/267, 290-292
See application file for complete search history.

(56) **References Cited**

U.S. PATENT DOCUMENTS

3,072,007	A *	1/1963	Burke	84/267
D299,453	S *	1/1989	Brunet	D17/20
6,233,825	B1 *	5/2001	DeGroot	29/896.22
6,646,189	B2 *	11/2003	Minakuchi	84/291
6,667,431	B1 *	12/2003	Norman	84/290
6,855,879	B2 *	2/2005	Minakuchi et al.	84/327
D518,504	S *	4/2006	Sawhney et al.	D17/14
D527,409	S *	8/2006	Harrington	D17/20
D539,835	S *	4/2007	Brugal	D17/20
D636,431	S *	4/2011	Harmon	D17/14
8,207,432	B2 *	6/2012	Fodera	84/267
2008/0202309	A1 *	8/2008	Wiswell	84/291

* cited by examiner

Primary Examiner — Ian Simmons
Assistant Examiner — Carissa C Fitts

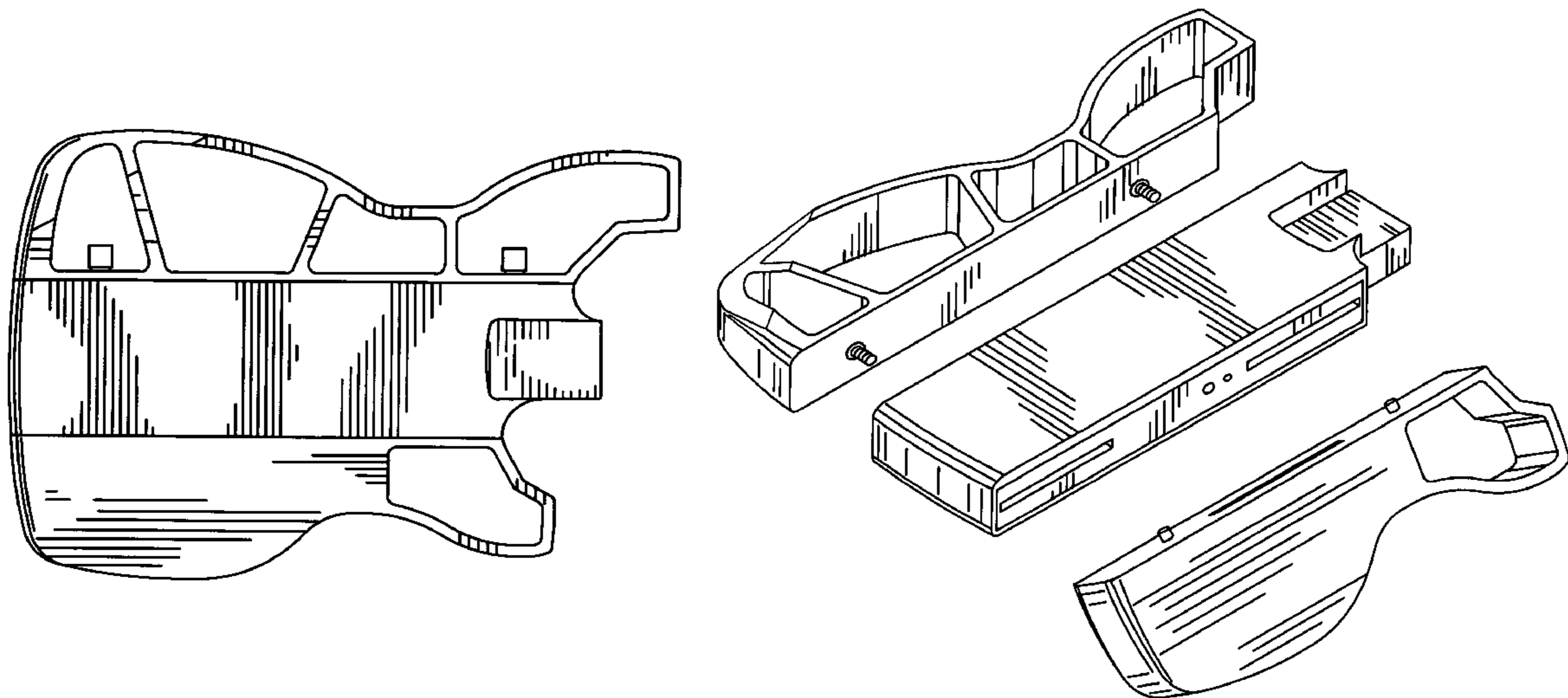
(57) **CLAIM**

The ornamental design for a guitar body, as shown and described.

DESCRIPTION

FIG. 1 is a front elevation view of the guitar body in its assembled state showing my new design;
FIG. 2 is the back view thereof;
FIG. 3 is a left side view of FIG. 1;
FIG. 4 is a right side view thereof;
FIG. 5 is a bottom plan view thereof;
FIG. 6 is a top plan view thereof;
FIG. 7 is an exploded view of FIG. 1; showing the guitar body unassembled;
FIG. 8 is a front view thereof, with the right side section of the guitar body shown in an alternate position; and,
FIG. 9 is a front view thereof, with the right side section of the guitar body shown in an alternate position.
The broken line showing is for environmental purposes only and forms no part of the claimed design.

1 Claim, 4 Drawing Sheets



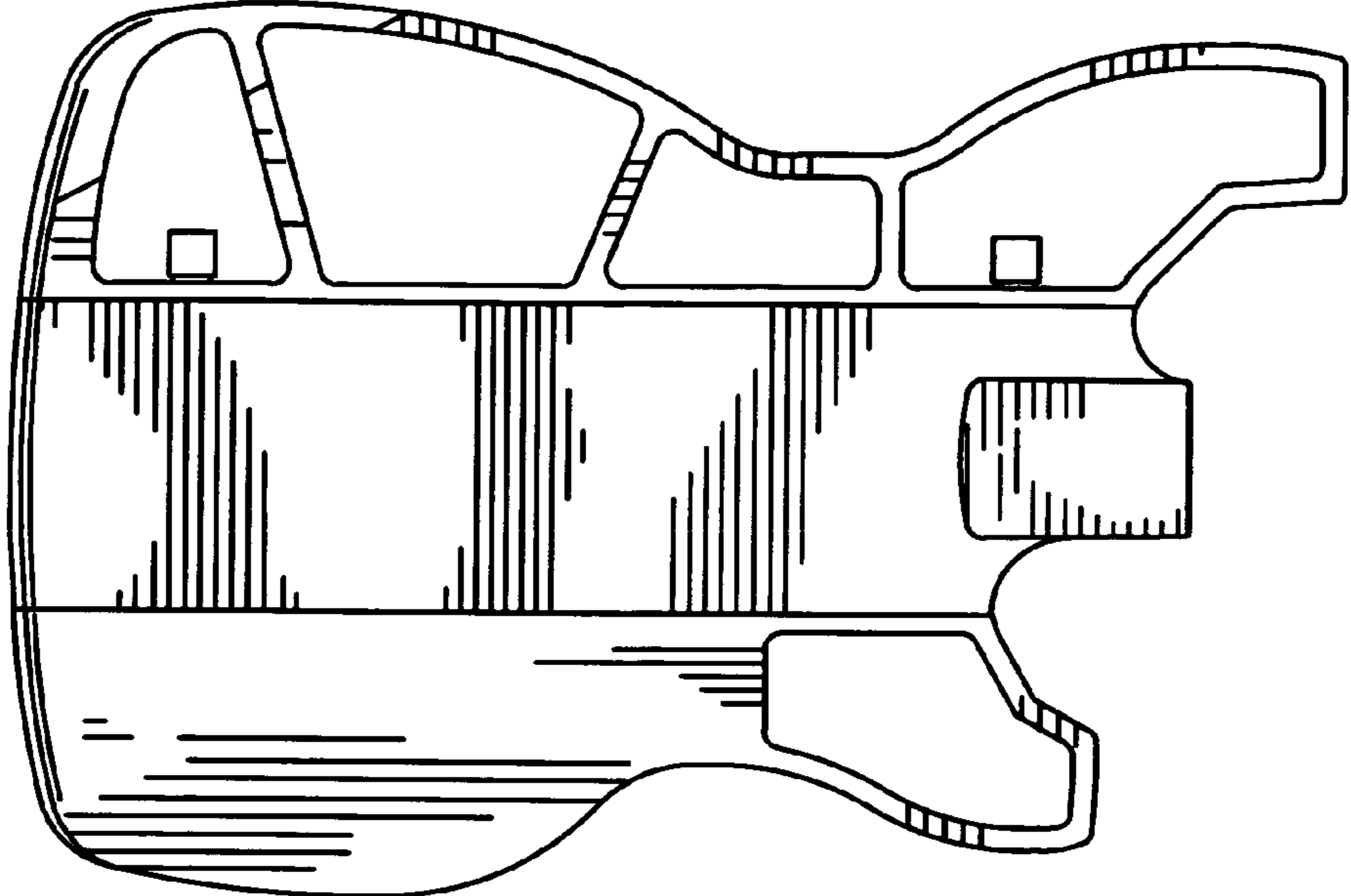


FIG. 1

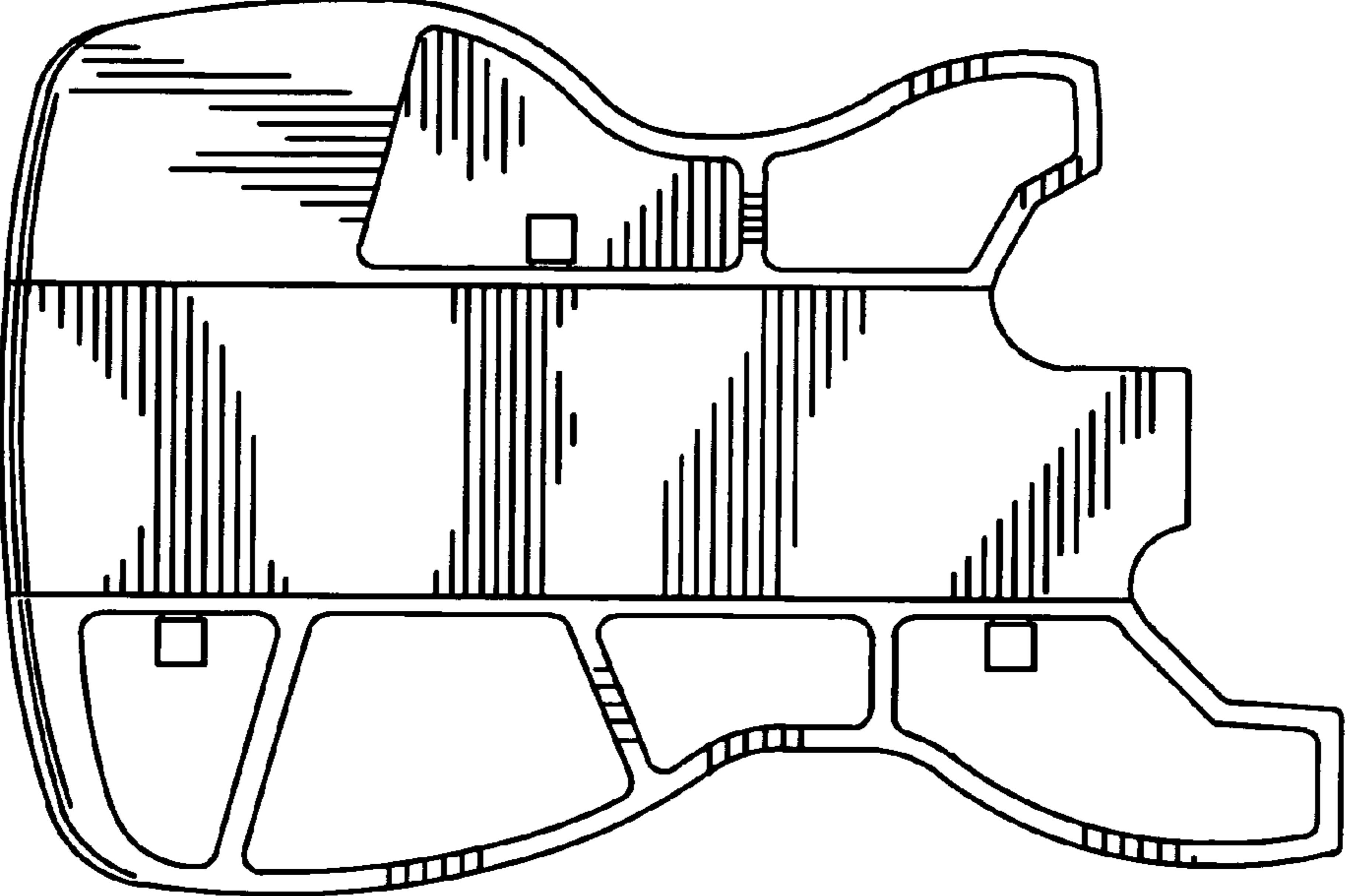


FIG. 2



FIG. 3

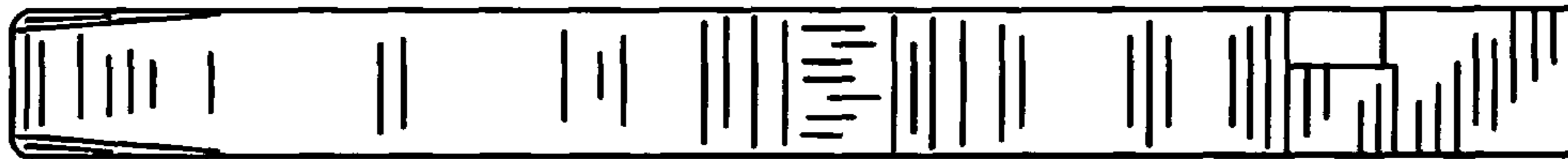


FIG. 4

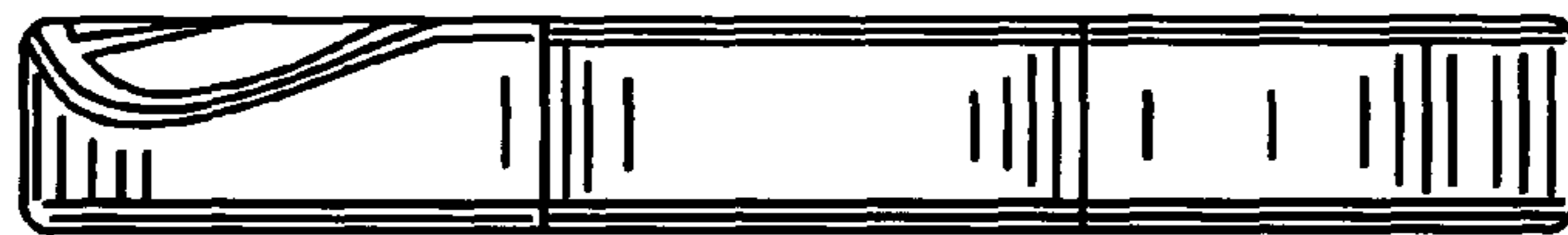


FIG. 5

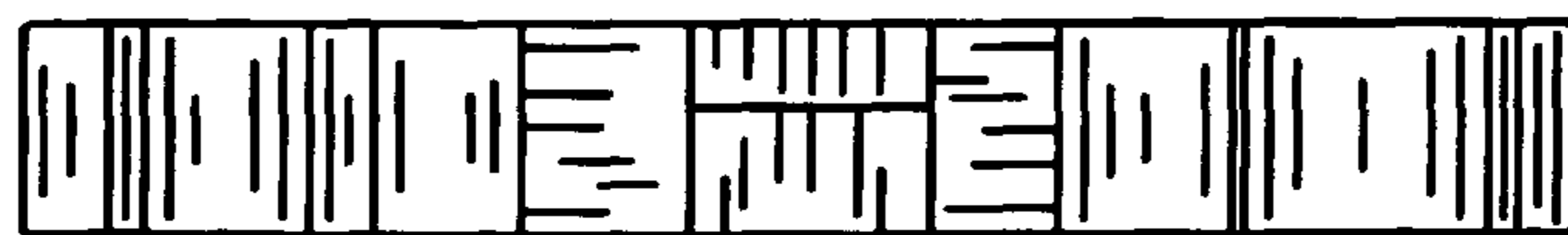
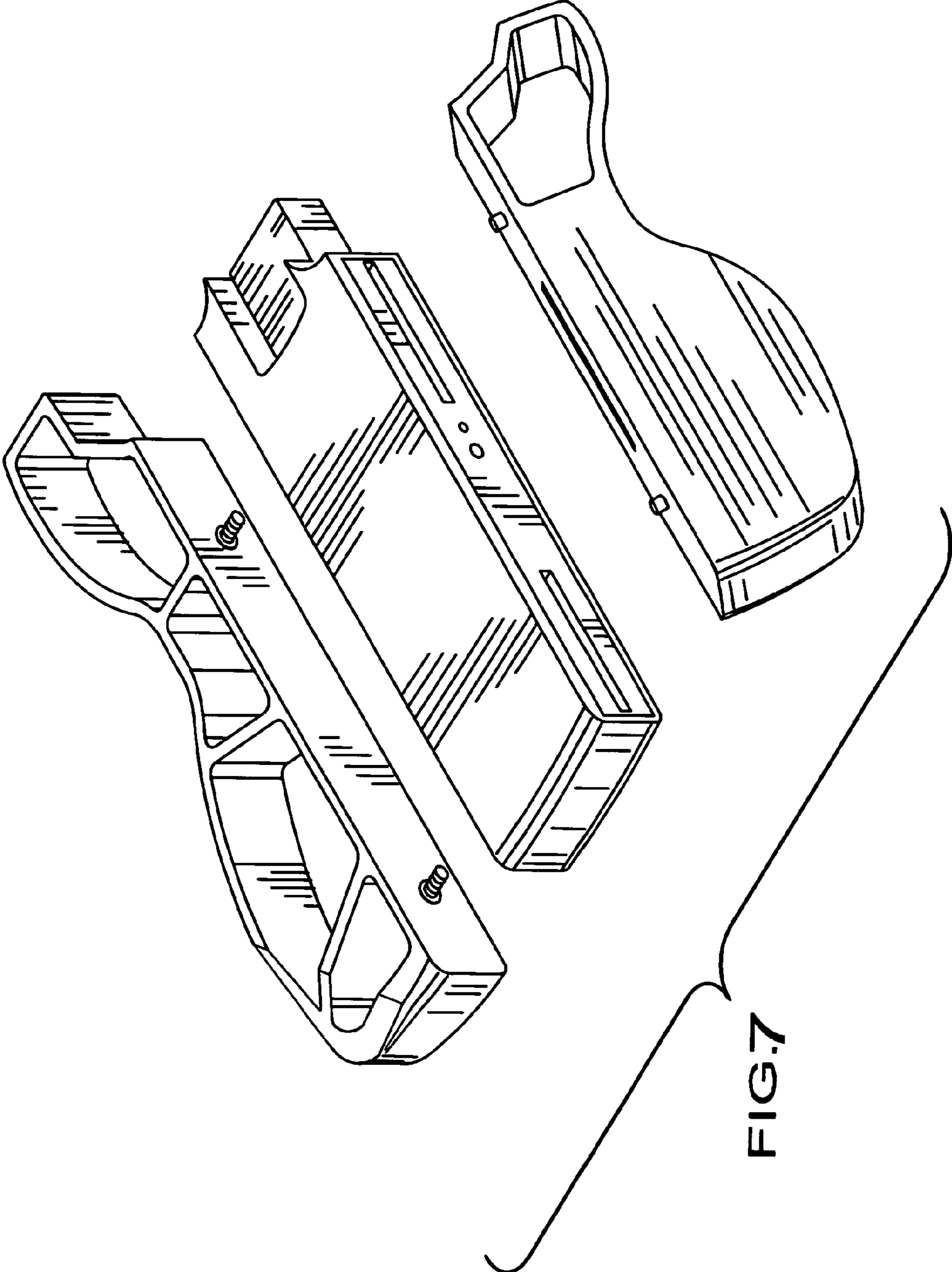


FIG. 6



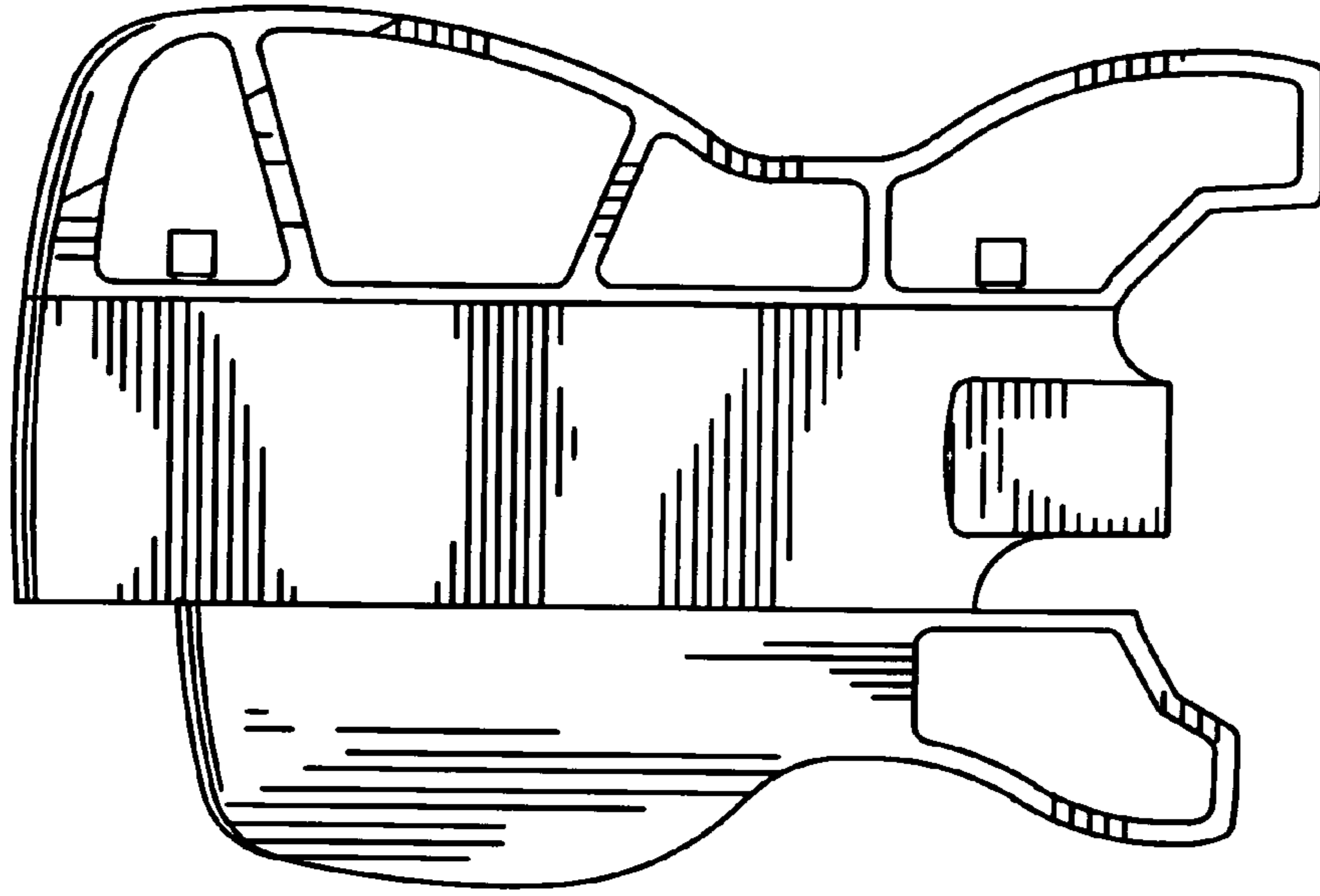


FIG. 8

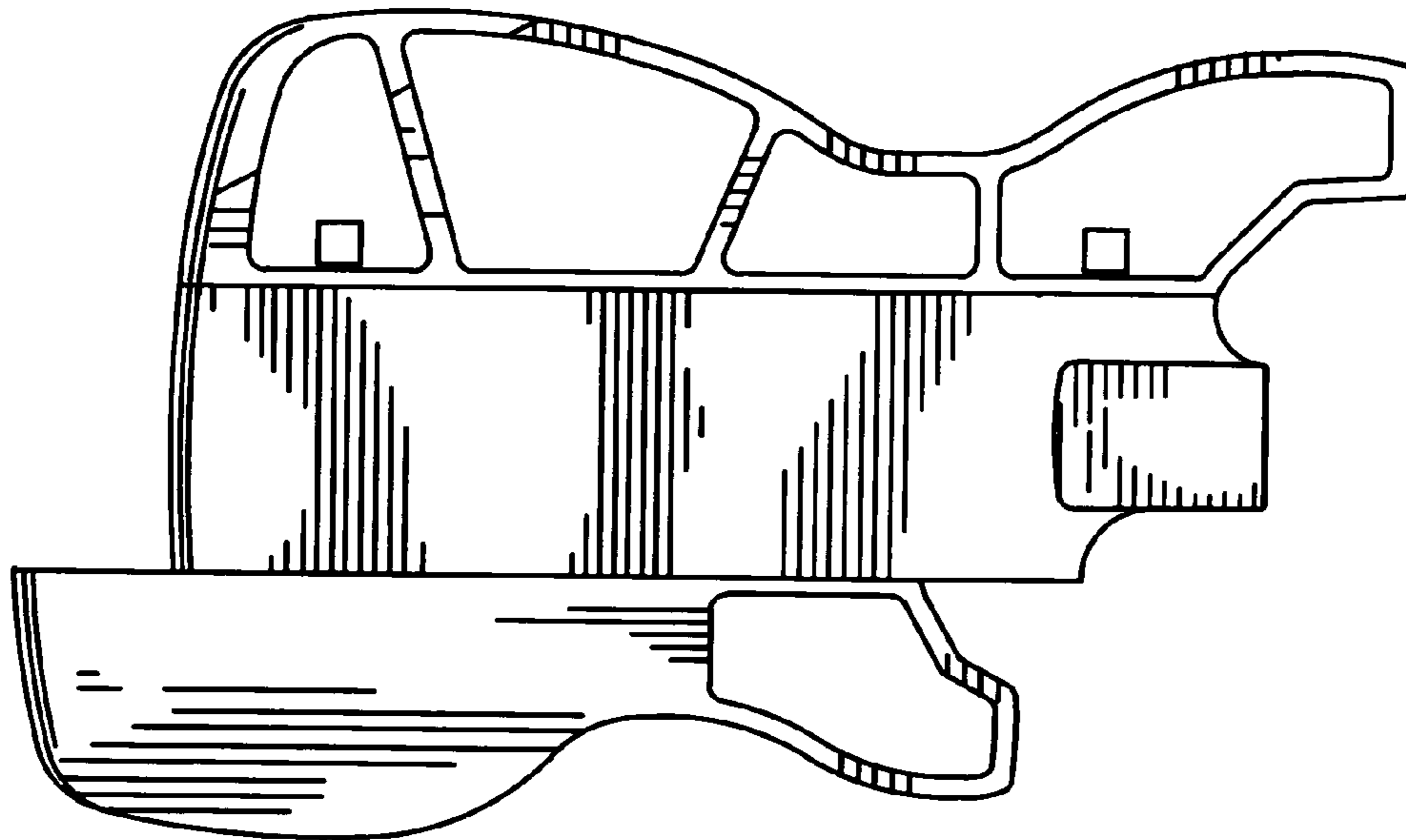


FIG. 9