



US00D689919S

(12) **United States Design Patent**
Takami et al.

(10) **Patent No.:** **US D689,919 S**
(45) **Date of Patent:** **** Sep. 17, 2013**

(54) **EYEGLASSES**

(71) Applicant: **Panasonic Corporation**, Osaka (JP)
(72) Inventors: **Mitsuru Takami**, Osaka (JP); **Takanori Kawano**, Osaka (JP)
(73) Assignee: **Panasonic Corporation**, Osaka (JP)
(**) Term: **14 Years**

(21) Appl. No.: **29/440,068**
(22) Filed: **Dec. 19, 2012**
(51) **LOC (9) Cl.** **16-06**
(52) **U.S. Cl.**
USPC **D16/325**
(58) **Field of Classification Search**
USPC D16/101, 300-342, 900; D29/109-110;
351/41, 44, 51-52, 62, 158, 92, 103-123,
351/140-153, 45-46; 2/426-432, 447-449,
2/441, 434-437, 13, 15; D21/483, 659-661;
D14/372

See application file for complete search history.

(56) **References Cited**

U.S. PATENT DOCUMENTS

D634,348 S * 3/2011 Suzuki D16/309
D680,575 S * 4/2013 Takami et al. D16/309
D681,092 S * 4/2013 Sogabe et al. D16/309

FOREIGN PATENT DOCUMENTS

JP D1426511 11/2011
JP D1426632 11/2011

* cited by examiner

Primary Examiner — Raphael Barkai

(74) *Attorney, Agent, or Firm* — Panasonic Patent Center

(57) **CLAIM**

We claim the ornamental design for eyeglasses, as shown and described.

DESCRIPTION

FIG. 1 is a front perspective view of eyeglasses of the present invention;
FIG. 2 is a front view thereof;
FIG. 3 is a rear view thereof;
FIG. 4 is a first side view thereof;
FIG. 5 is a second side view thereof;
FIG. 6 is a top view thereof;
FIG. 7 is a bottom view thereof; and,
FIG. 8 is an enlarged sectional view taken along the line 8-8 of FIG. 2.

1 Claim, 8 Drawing Sheets

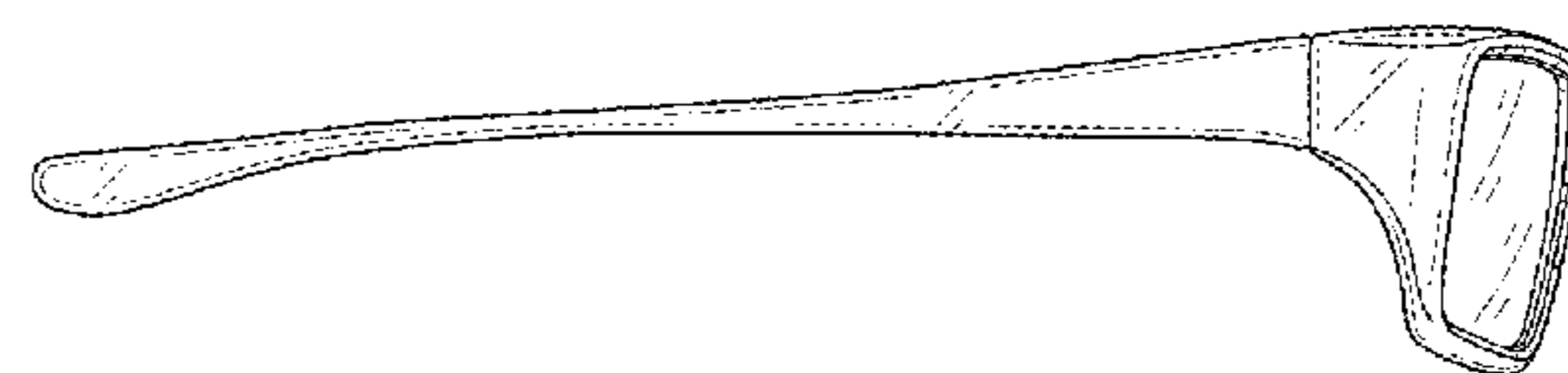
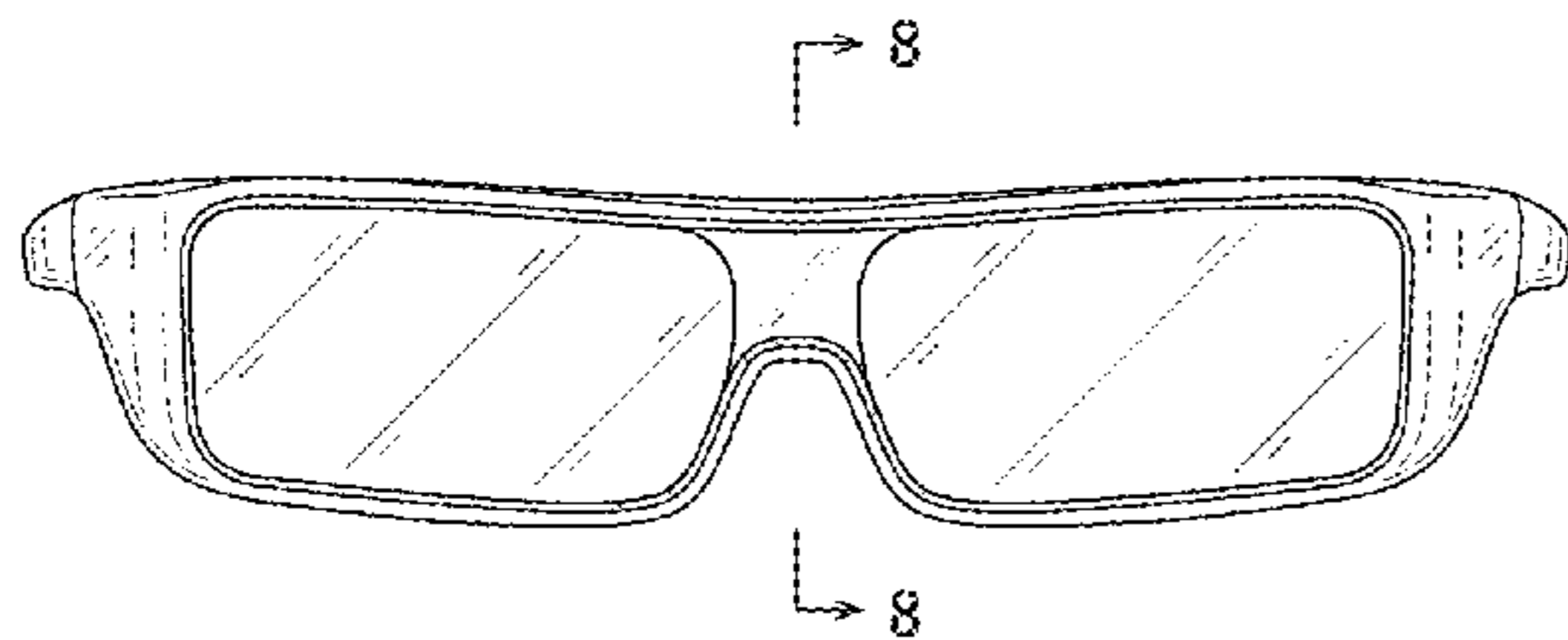


FIG. 1

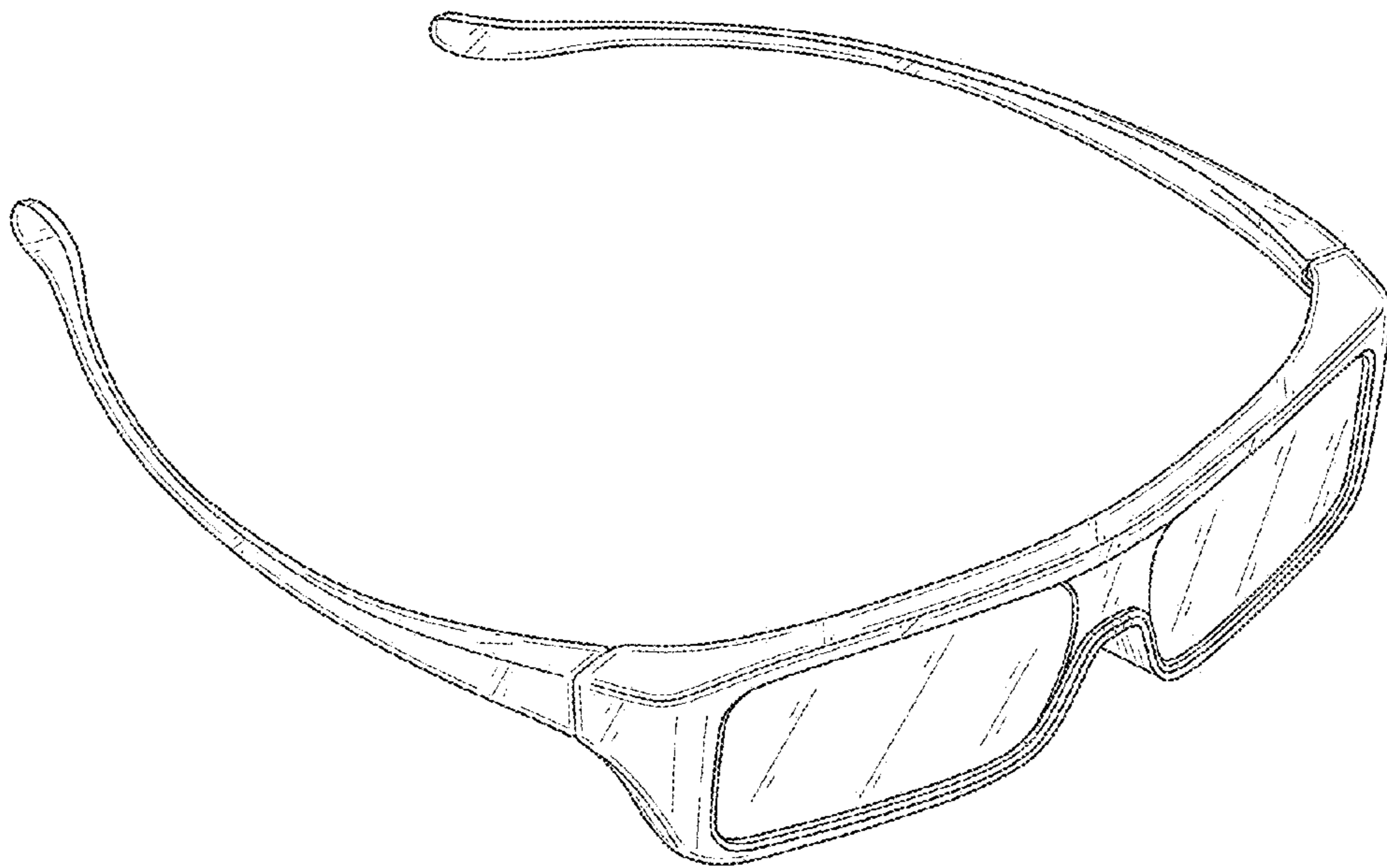


FIG. 2

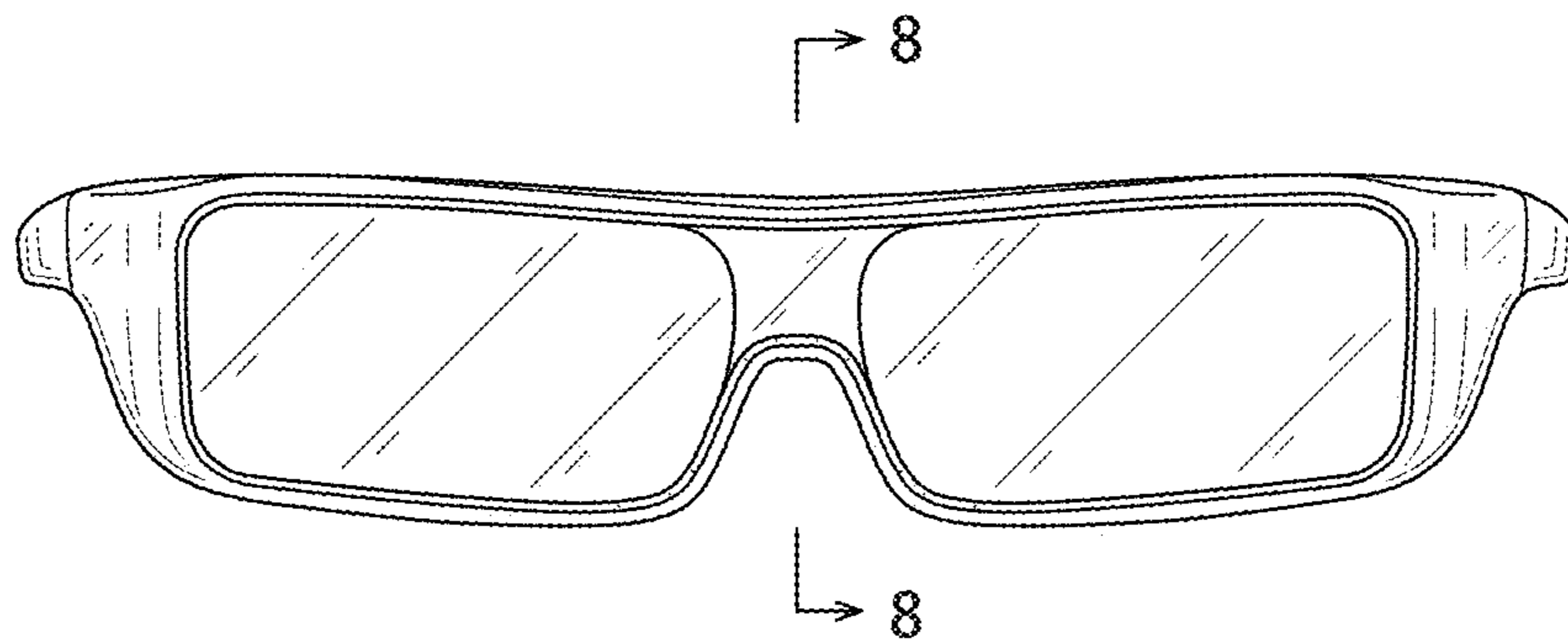


FIG. 3

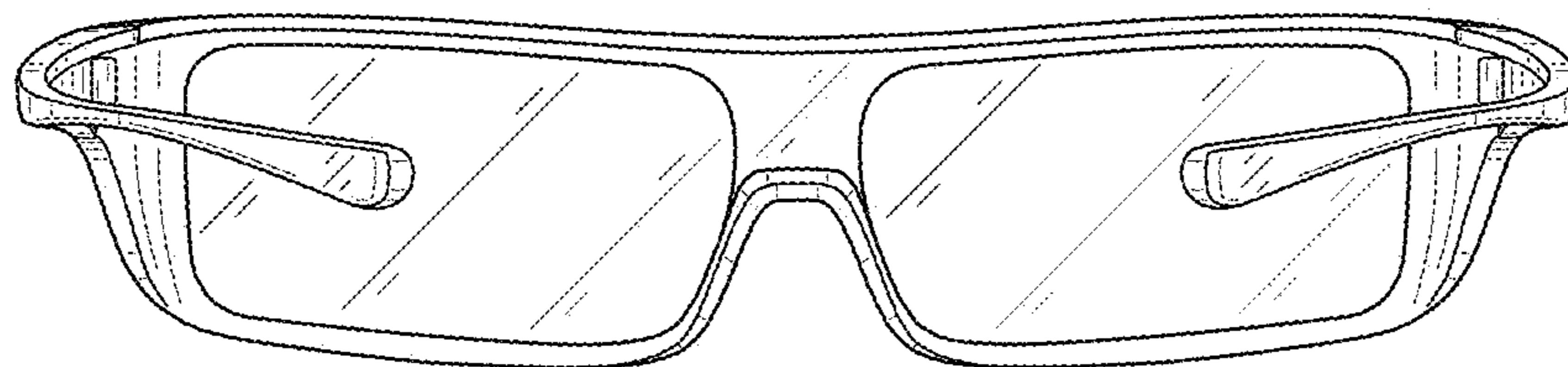


FIG. 4

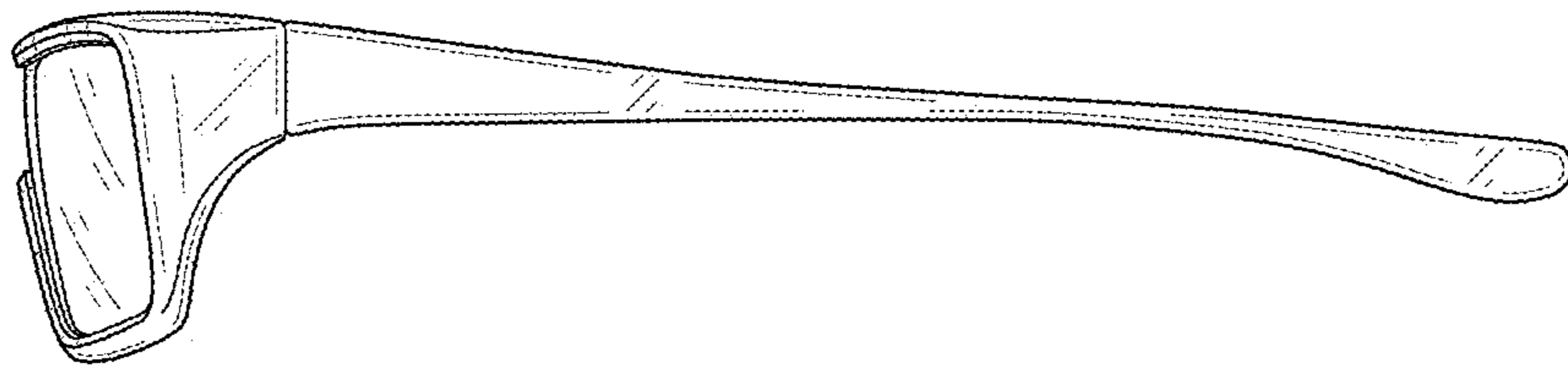


FIG. 5

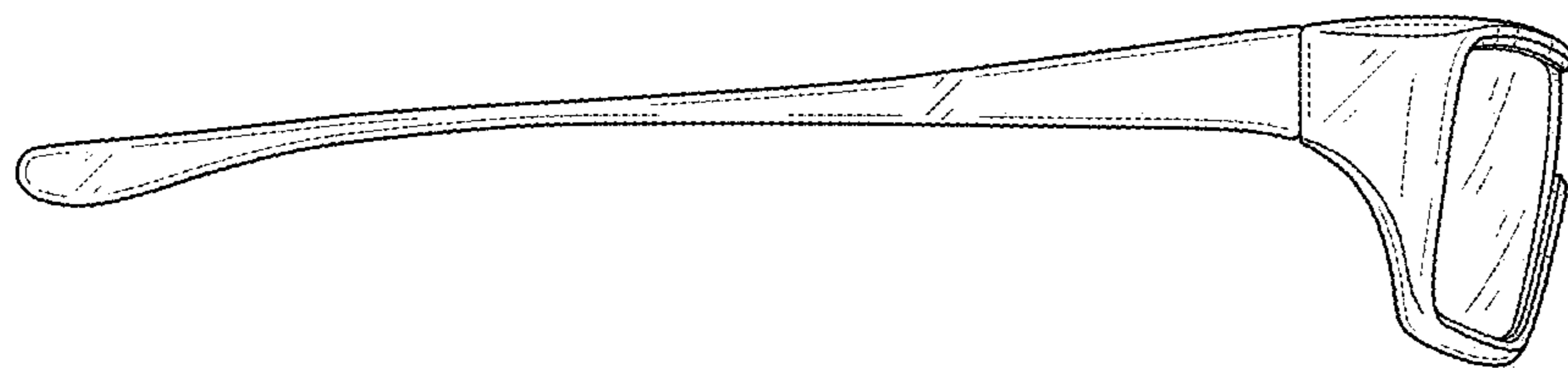


FIG. 6

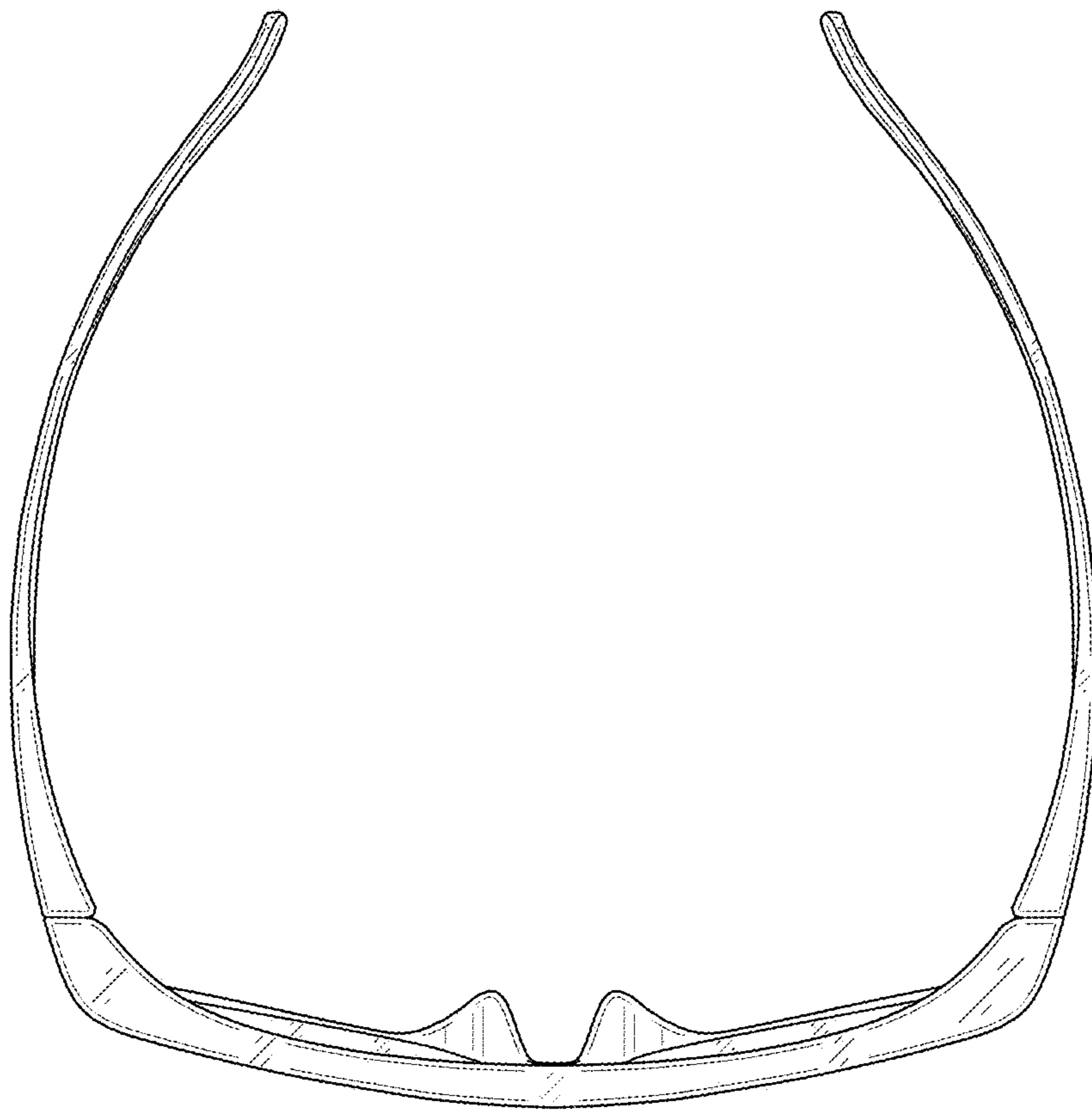


FIG. 7

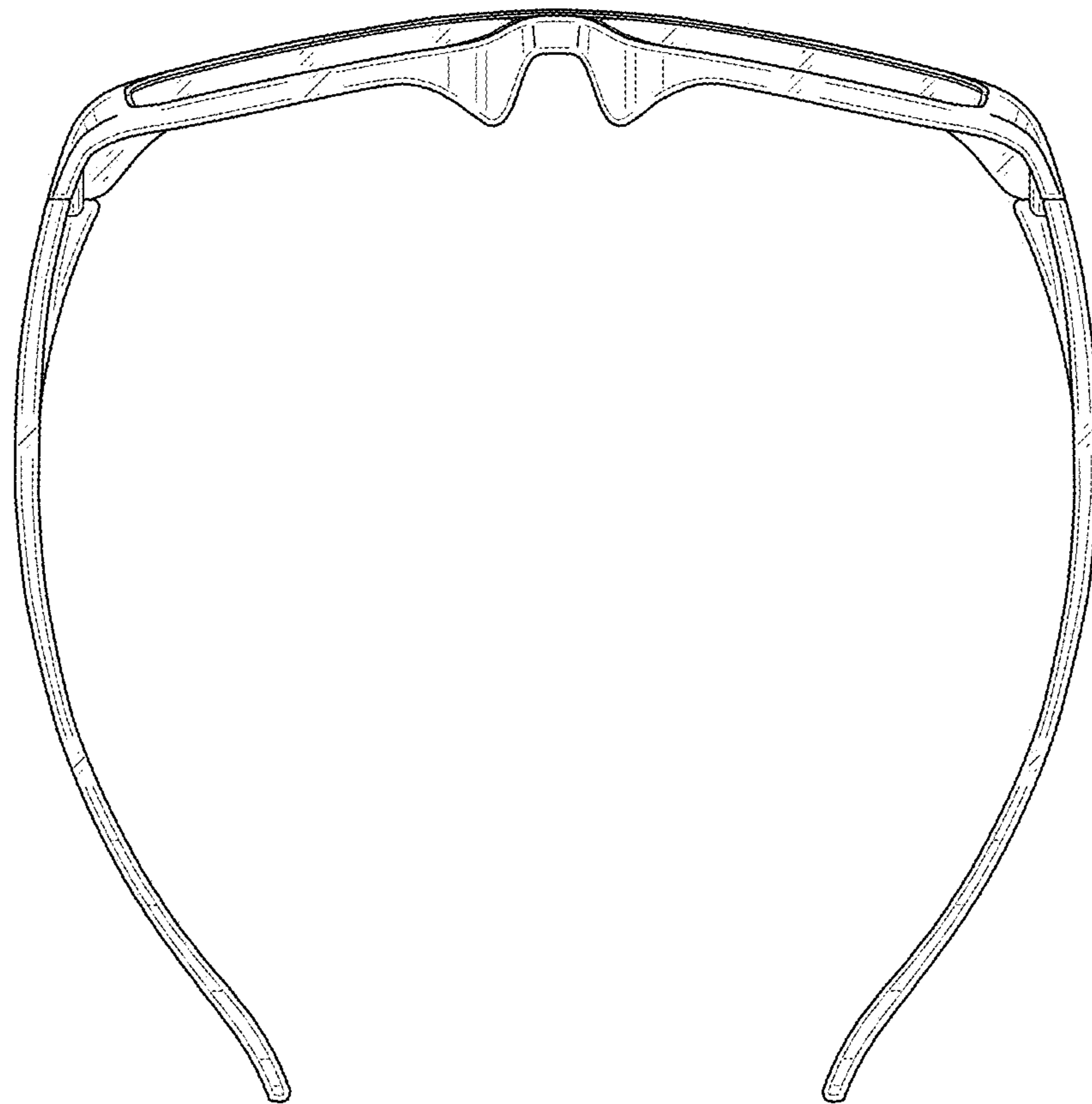


FIG. 8

