



US00D689916S

(12) **United States Design Patent**  
**Tateno**

(10) **Patent No.:** **US D689,916 S**  
(45) **Date of Patent:** **\*\* Sep. 17, 2013**

(54) **LAMP UNIT FOR PROJECTOR**

(71) Applicant: **Seiko Epson Corporation**, Tokyo (JP)

(72) Inventor: **Yasushi Tateno**, Shiojiri (JP)

(73) Assignee: **Seiko Epson Corporation**, Tokyo (JP)

(\*\*) Term: **14 Years**

(21) Appl. No.: **29/437,717**

(22) Filed: **Nov. 20, 2012**

(30) **Foreign Application Priority Data**

Sep. 19, 2012 (JP) ..... 2012-022560

(51) **LOC (9) Cl.** ..... **16-02**

(52) **U.S. Cl.**  
USPC ..... **D16/235**

(58) **Field of Classification Search**

USPC ..... D16/235, 221, 225, 237; D26/1,  
D26/24, 28, 36; 352/198, 203; 353/52, 72,  
353/85, 97-98, 100, 119; 362/227, 294

See application file for complete search history.

(56) **References Cited**

U.S. PATENT DOCUMENTS

D584,328	S	*	1/2009	Sasaki	.....	D16/235
D616,482	S	*	5/2010	Nishi et al.	.....	D16/235
D616,912	S	*	6/2010	Sasaki	.....	D16/235
D645,892	S	*	9/2011	Nishi	.....	D16/235
D673,202	S	*	12/2012	Takizawa	.....	D16/235
2010/0103382	A1	*	4/2010	Onodera et al.	.....	353/52
2011/0216285	A1	*	9/2011	Saito et al.	.....	353/52

\* cited by examiner

*Primary Examiner* — Wan Laymon

(74) *Attorney, Agent, or Firm* — Oliff & Berridge, PLC

(57) **CLAIM**

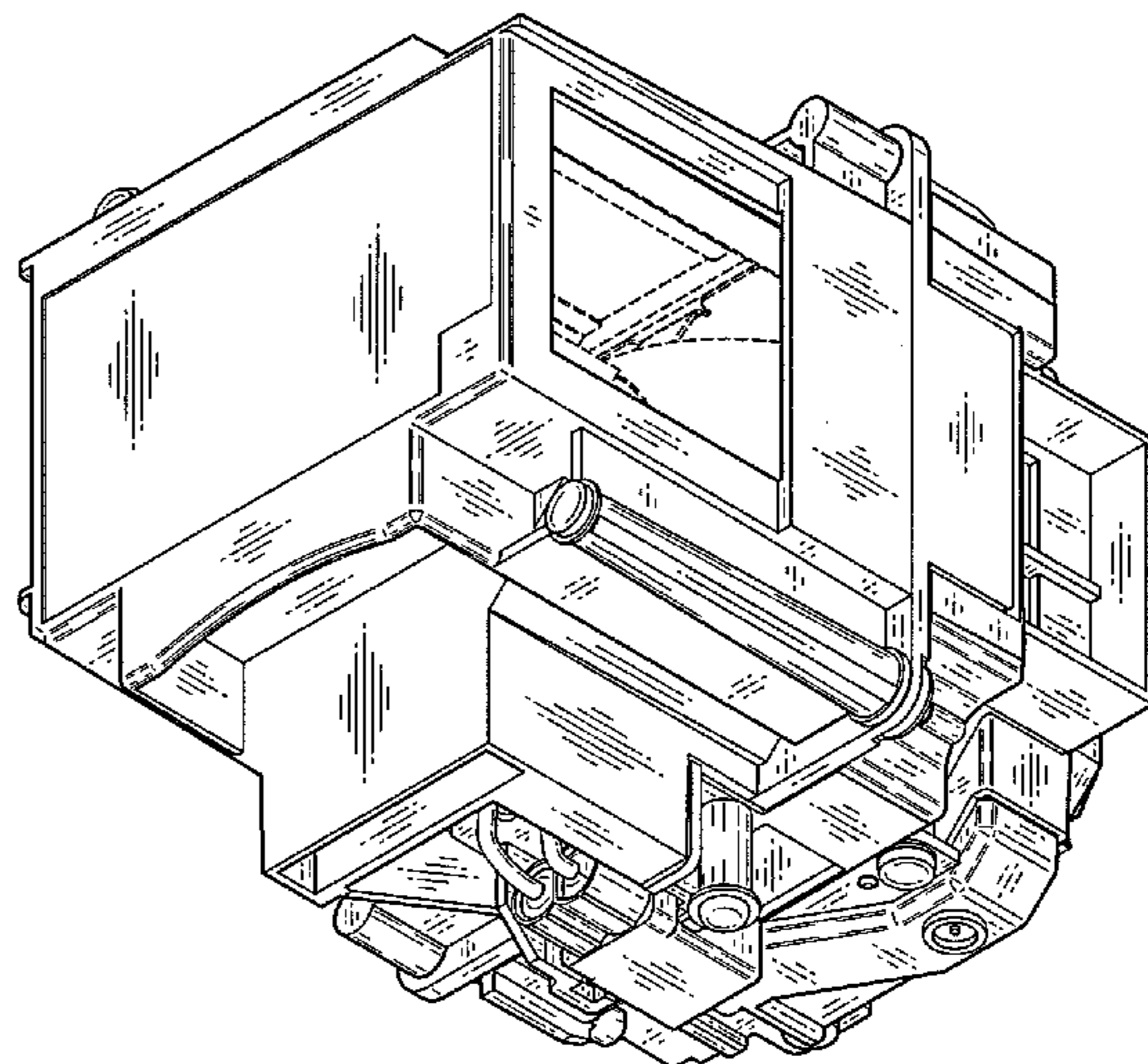
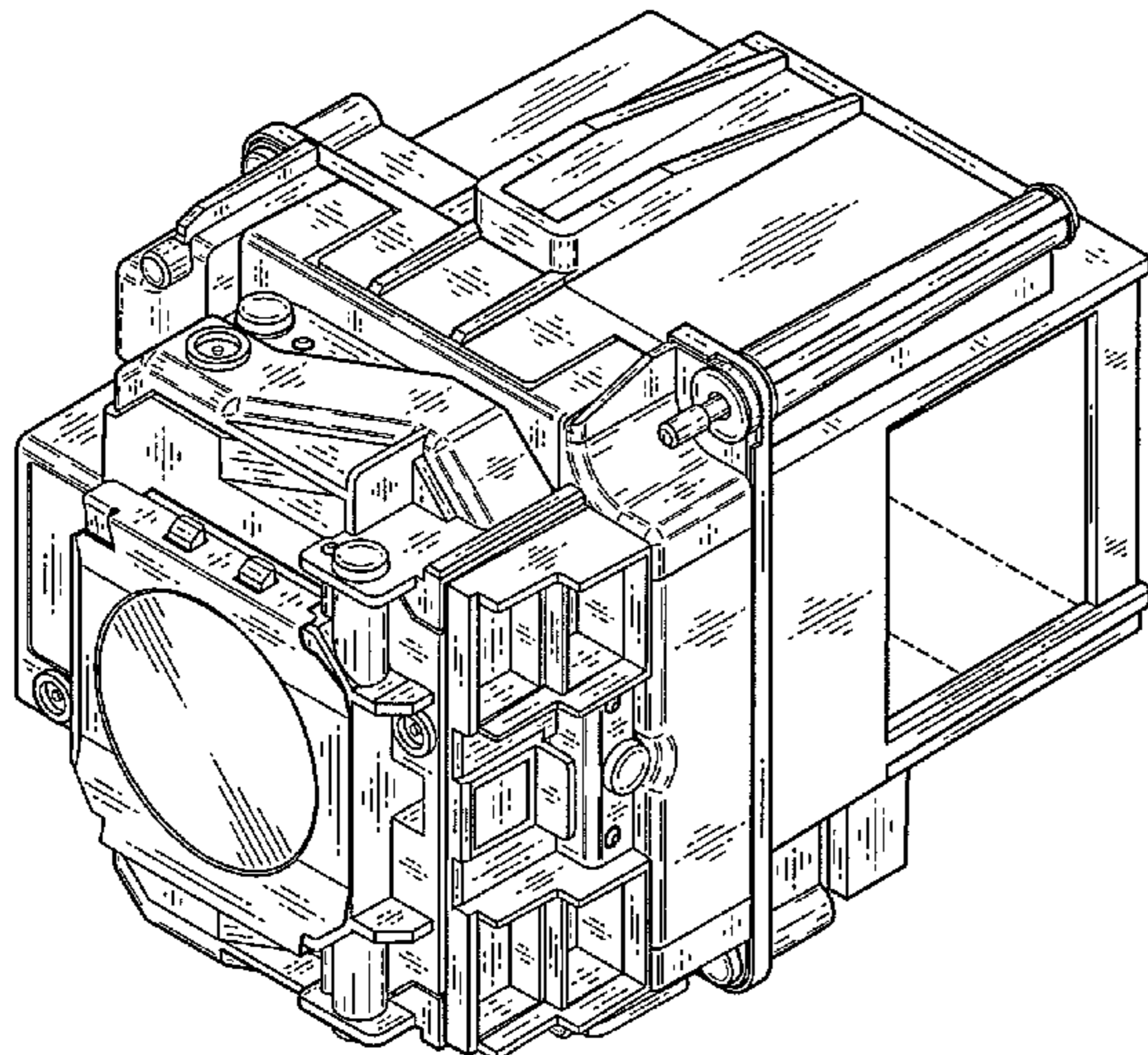
The ornamental design for a lamp unit for projector, as shown and described.

**DESCRIPTION**

FIG. 1 is a top, front, right-side perspective view of a lamp unit for projector;  
FIG. 2 is a bottom, rear, left-side perspective view thereof;  
FIG. 3 is a front view thereof;  
FIG. 4 is a rear view thereof;  
FIG. 5 is a left-side view thereof;  
FIG. 6 is a right-side view thereof;  
FIG. 7 is a top view thereof; and,  
FIG. 8 is a bottom view thereof.

The broken lines depict unclaimed subject matter only and form no part of the claimed design.

**1 Claim, 4 Drawing Sheets**



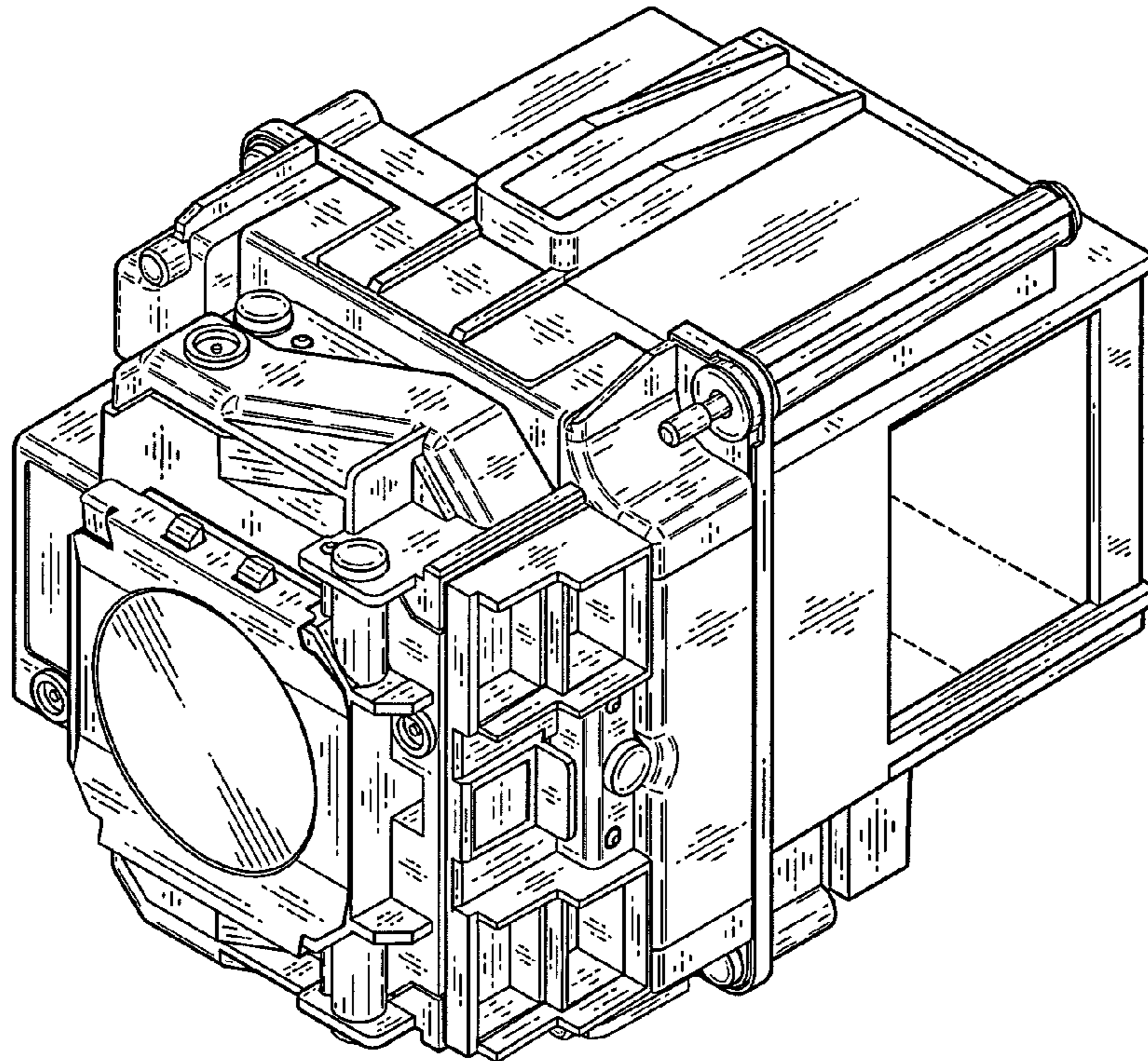


FIG. 1

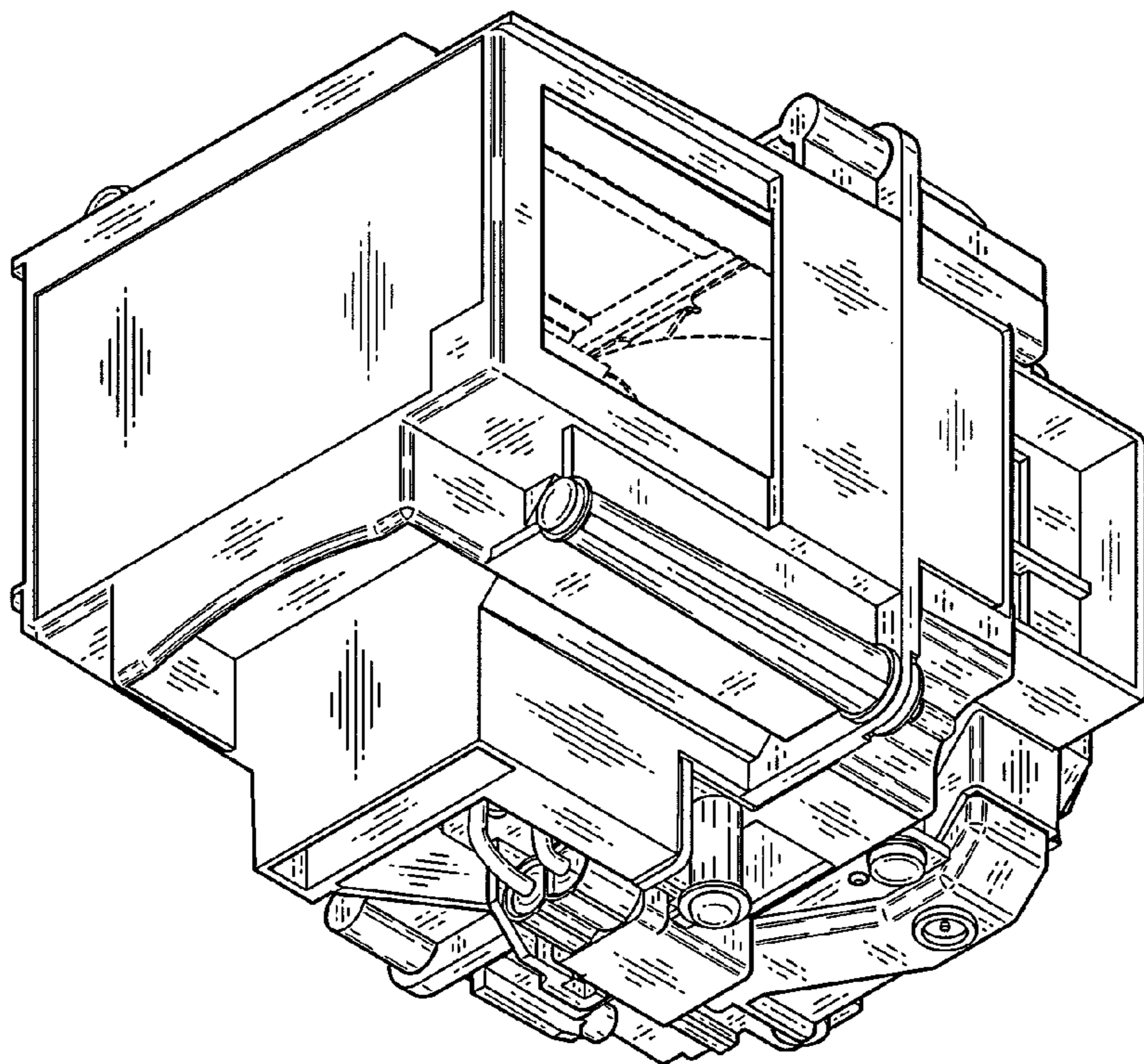


FIG. 2

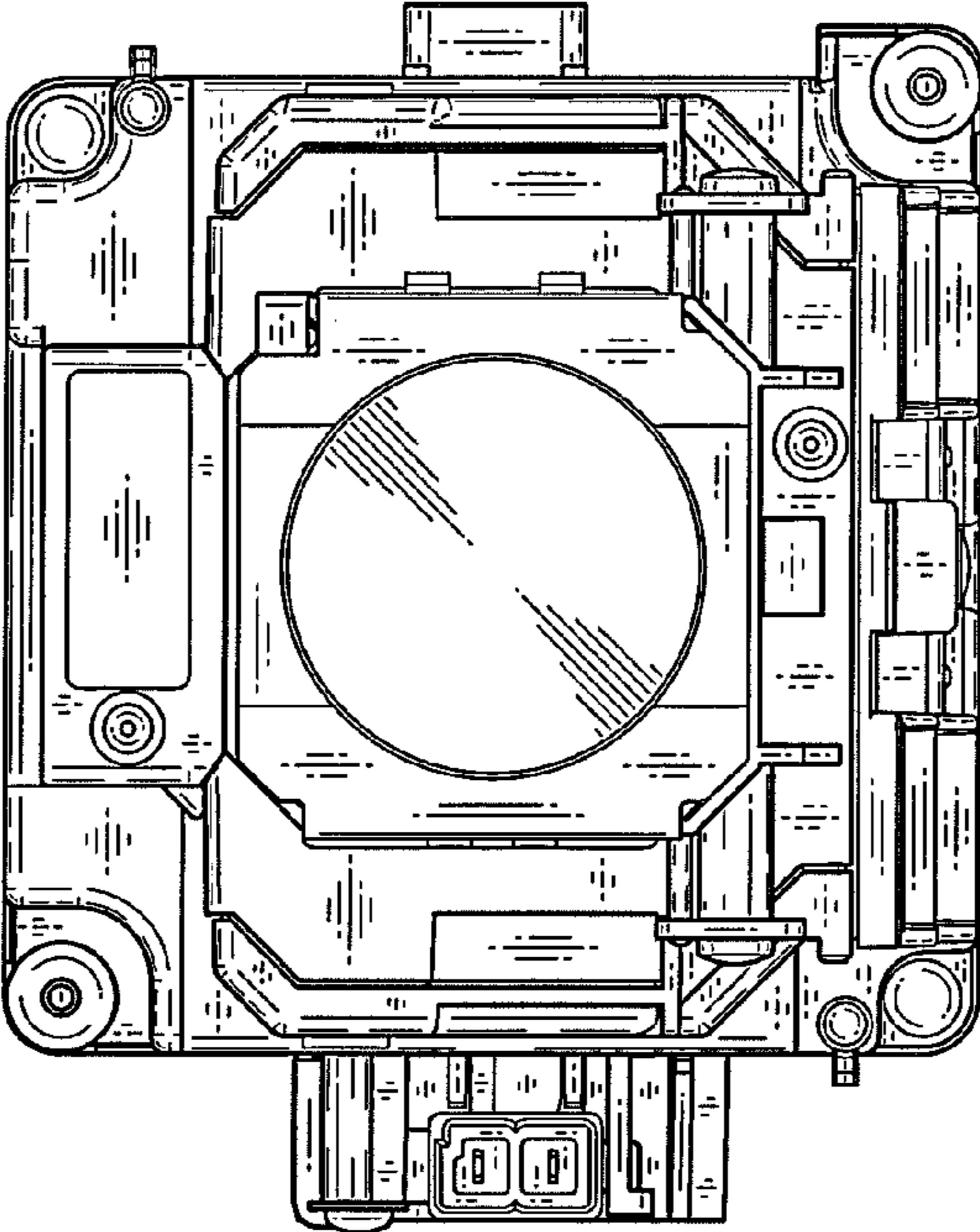


FIG. 3

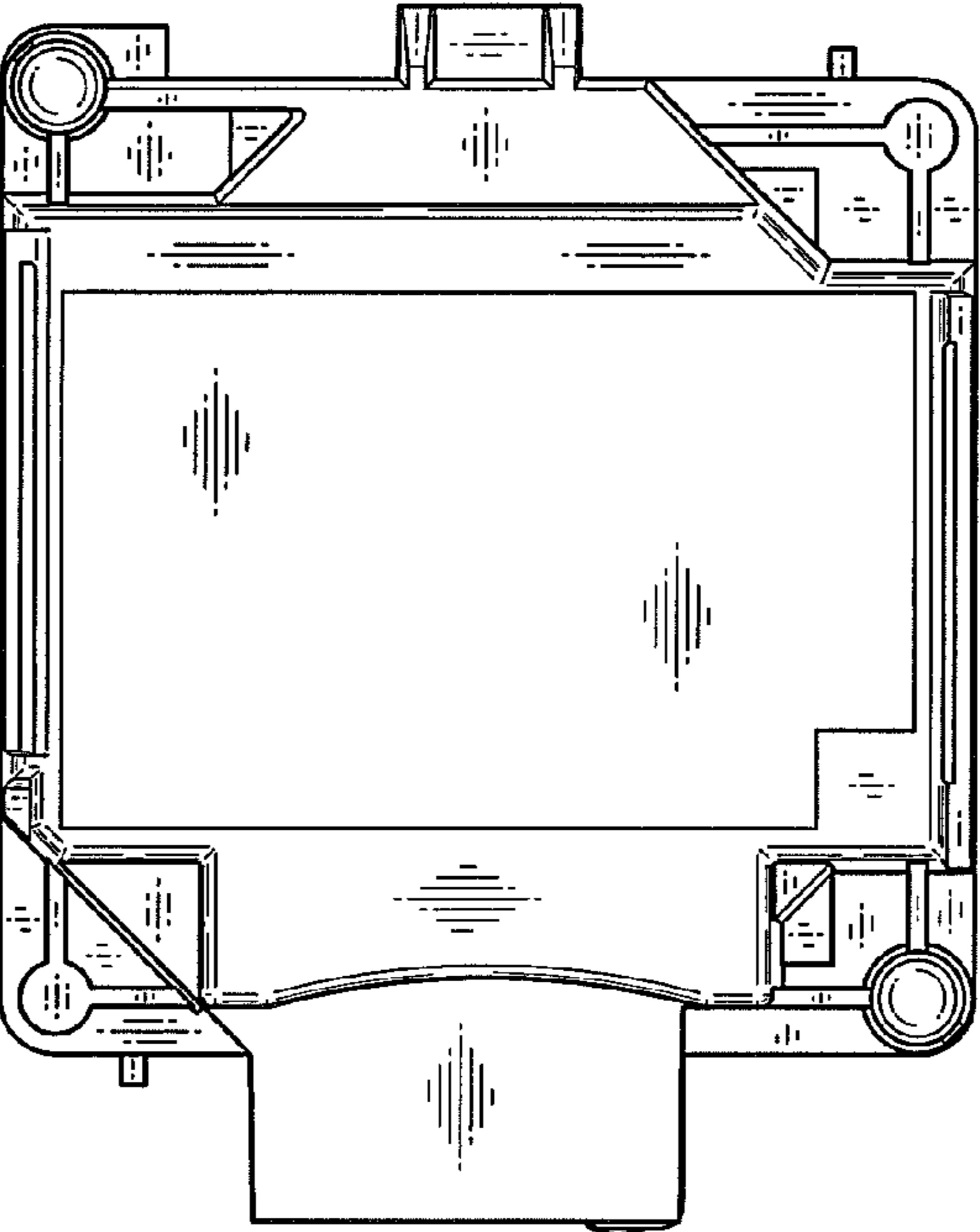


FIG. 4

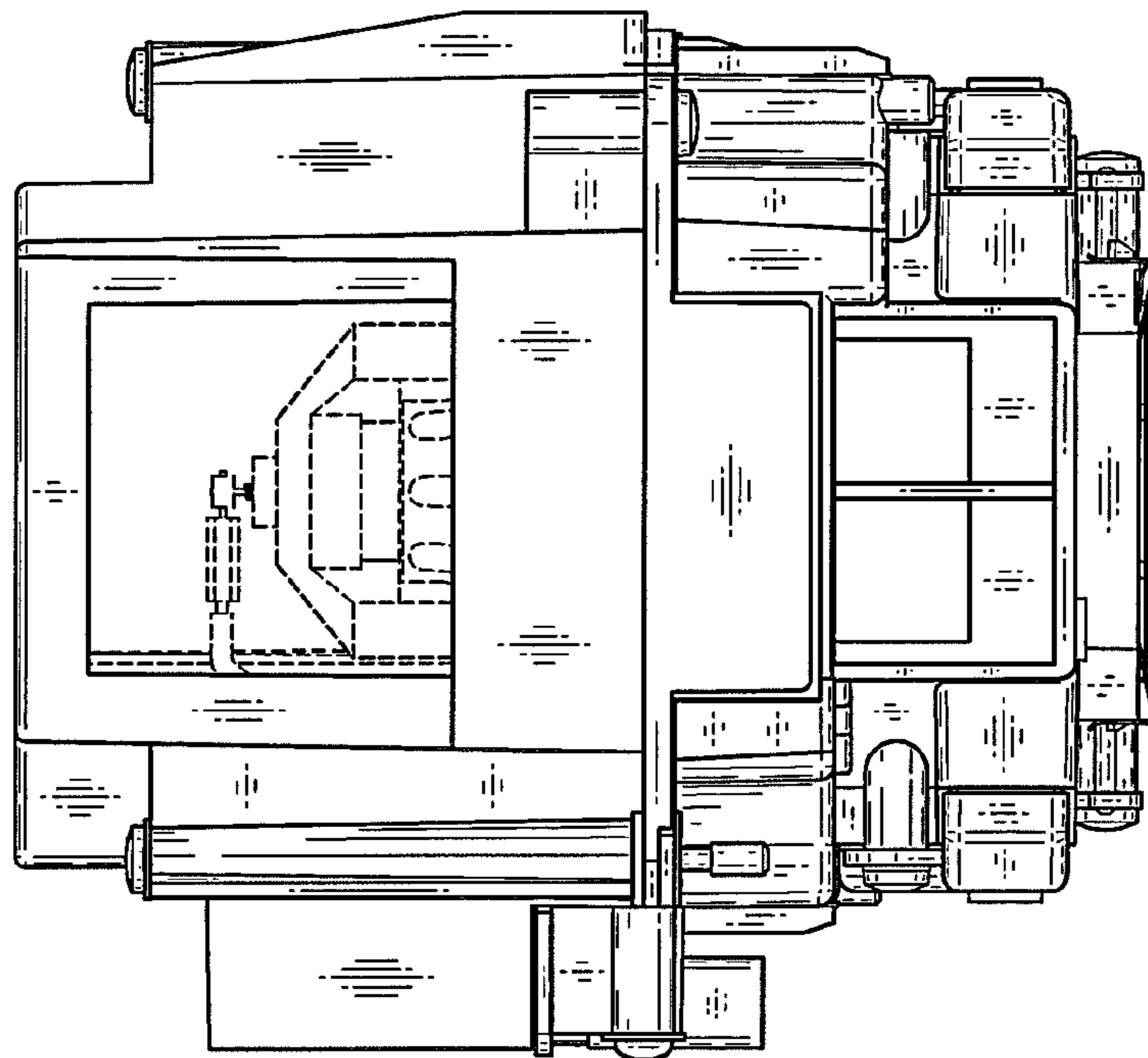


FIG. 5

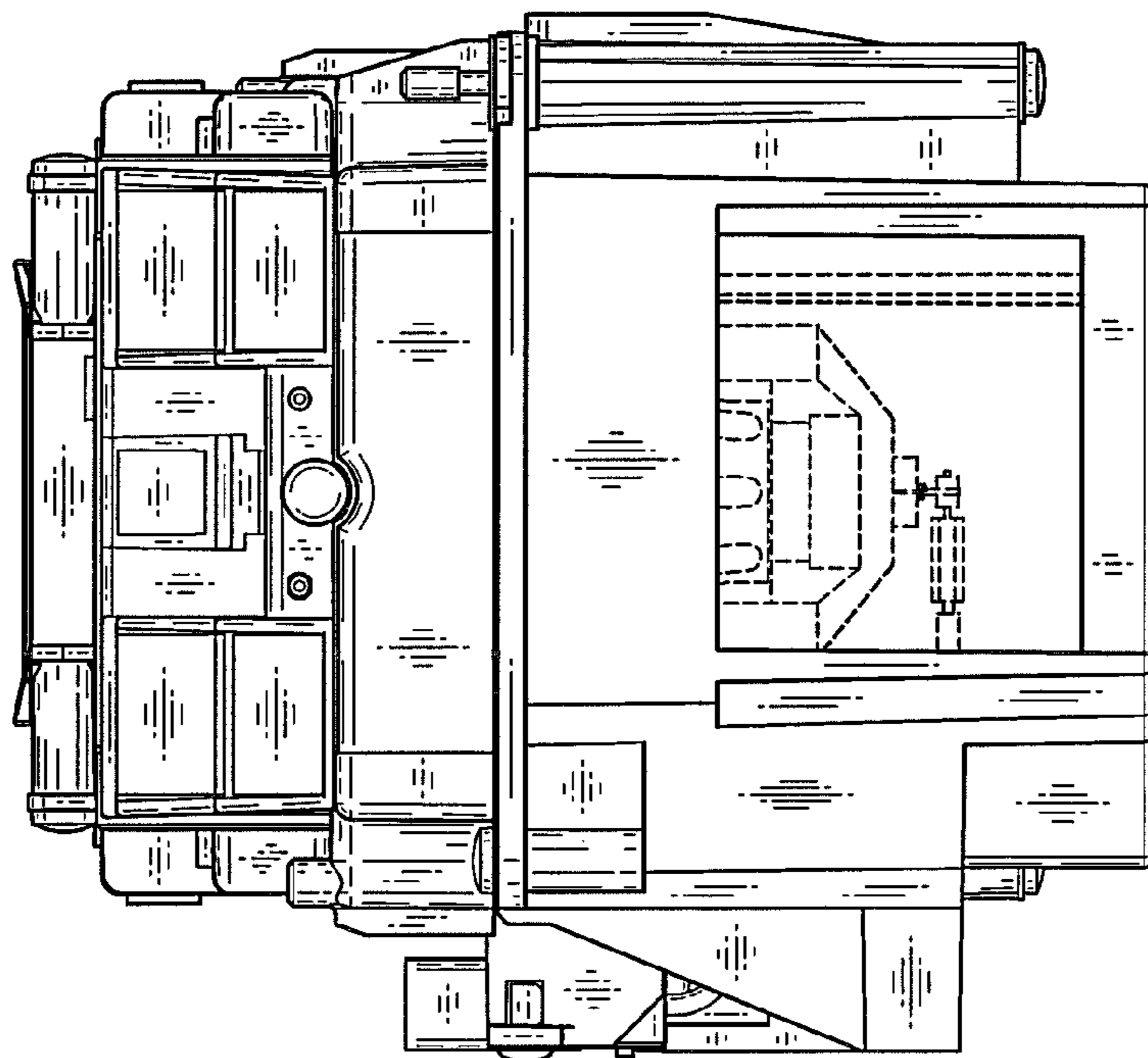


FIG. 6

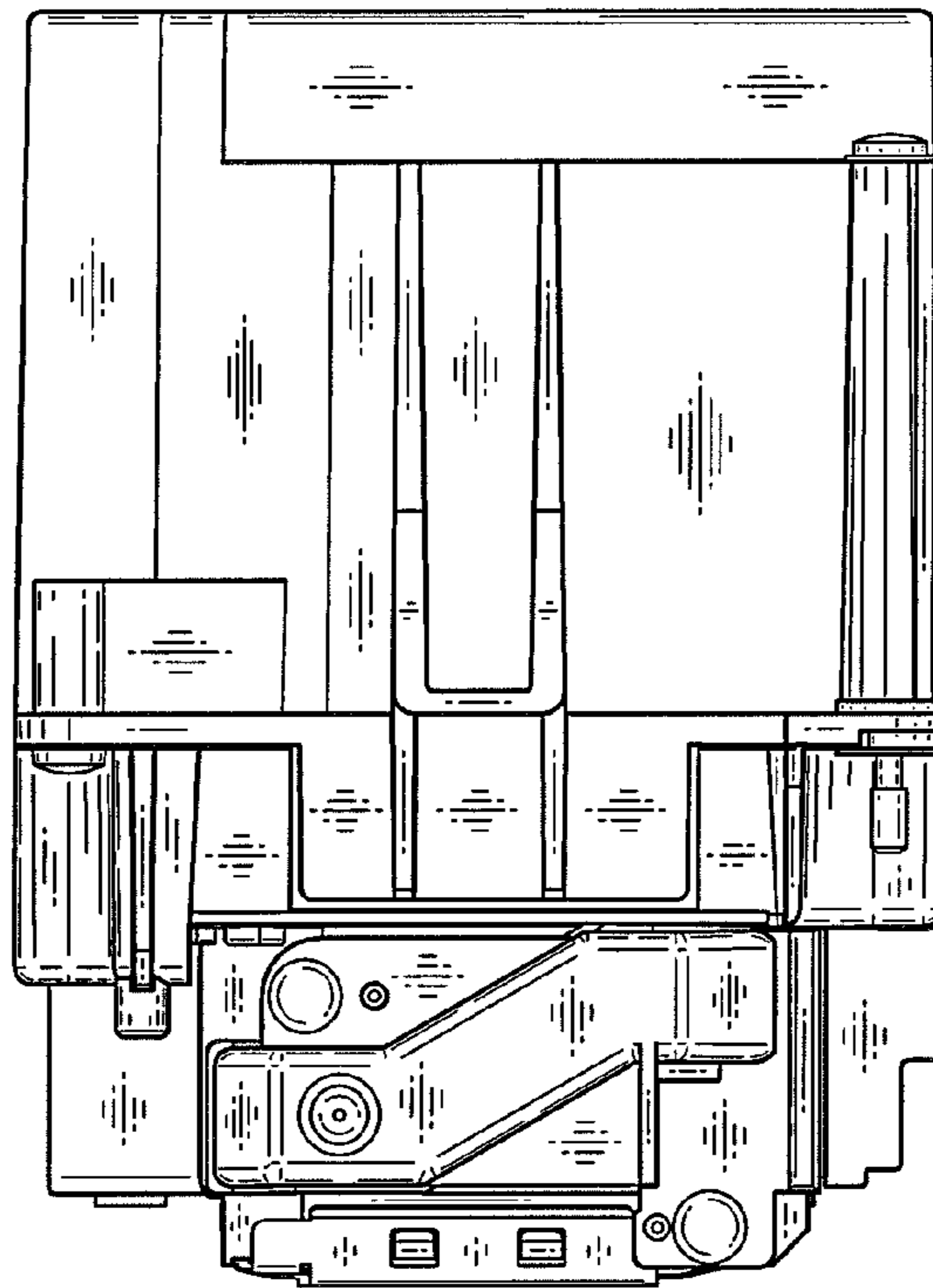


FIG. 7

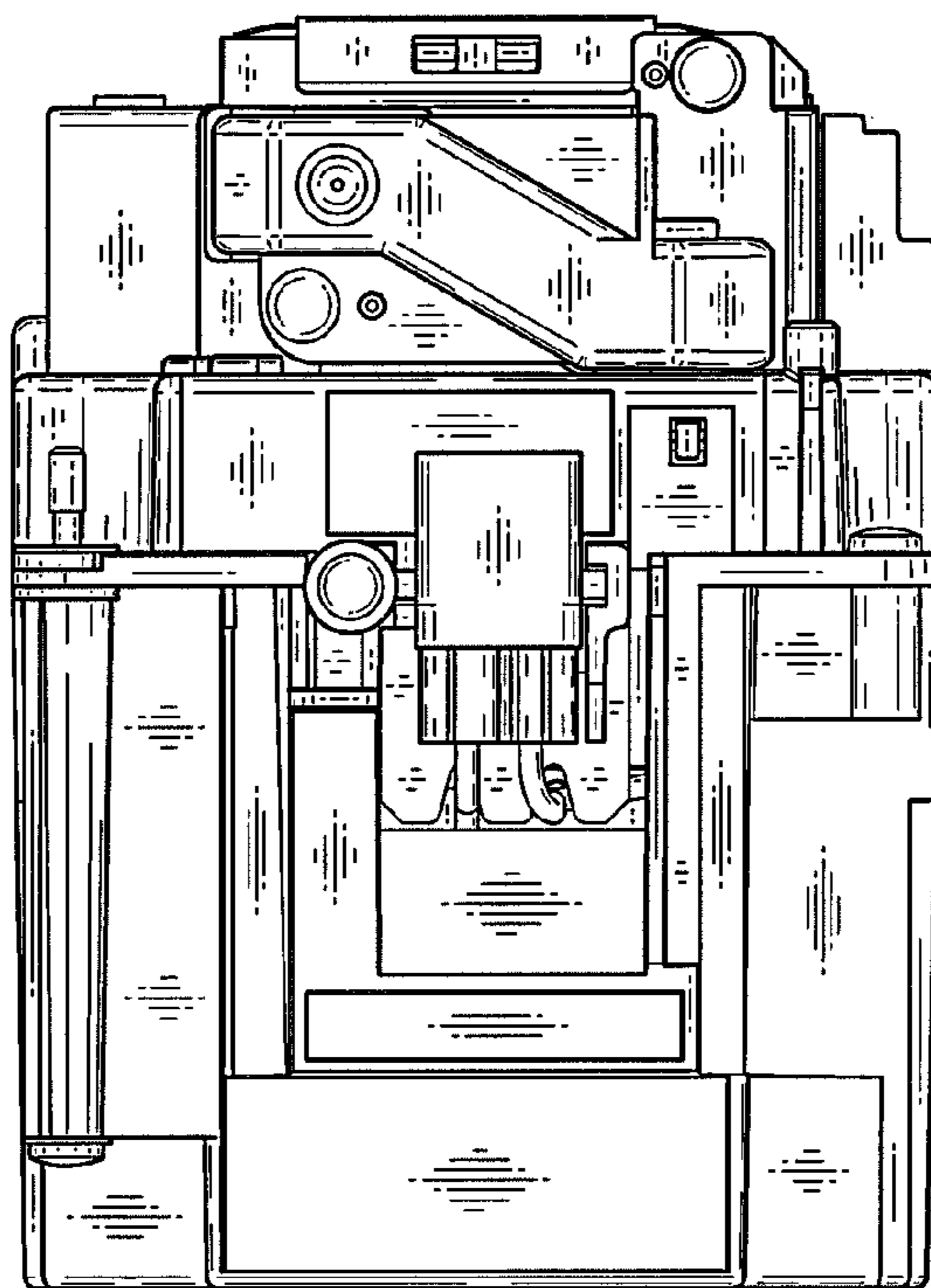


FIG. 8