



US00D689910S

(12) **United States Design Patent**
Hanson et al.

(10) **Patent No.:** **US D689,910 S**

(45) **Date of Patent:** **** Sep. 17, 2013**

(54) **ROCKER SWITCH**

(75) Inventors: **Eric J. Hanson**, Valparaiso, IN (US);
Robert B. Riggs, Canton, MI (US)

(73) Assignee: **Caterpillar Inc.**, Peoria, IL (US)

(**) Term: **14 Years**

(21) Appl. No.: **29/381,465**

(22) Filed: **Dec. 20, 2010**

(51) **LOC (9) Cl.** **15-03**

(52) **U.S. Cl.**
USPC **D15/28**

(58) **Field of Classification Search**
USPC D15/17, 28; D12/192, 415; D10/46,
D10/98, 102-103; 180/190; 280/750-752;
296/190.01-190.09, 70

See application file for complete search history.

(56) **References Cited**

U.S. PATENT DOCUMENTS

D206,322 S *	11/1966	Ornas, Jr. et al.	D12/192
3,974,347 A	8/1976	Lockard	
D285,915 S	9/1986	Luthe et al.	
4,654,487 A	3/1987	Sawada	
D290,086 S	6/1987	Fong	
4,697,053 A	9/1987	Lockard	
D297,727 S	9/1988	Saito	
D297,728 S	9/1988	Saito	
4,904,833 A	2/1990	Sato et al.	
D319,812 S	9/1991	Tisten et al.	
5,095,181 A	3/1992	Osika et al.	
D336,459 S *	6/1993	Tisten et al.	D12/192
D339,786 S	9/1993	Allendorph et al.	
D369,143 S	4/1996	Sorenson	
D375,071 S *	10/1996	Darley	D12/192
D378,585 S	3/1997	Duguid et al.	
D382,528 S	8/1997	Hellhake et al.	
D387,024 S	12/1997	Hellhake et al.	
D397,977 S	9/1998	Hellhake et al.	

5,810,109 A	9/1998	Chu	
5,833,048 A	11/1998	Dilly	
D403,641 S *	1/1999	Sacco et al.	D12/192
D409,543 S	5/1999	Sutton et al.	
D409,965 S	5/1999	Mueller et al.	
D410,608 S *	6/1999	Kraus	D12/192
D413,095 S	8/1999	Abalos et al.	
D419,936 S *	2/2000	Sacco et al.	D12/192
D427,613 S *	7/2000	Altmann et al.	D15/28

(Continued)

FOREIGN PATENT DOCUMENTS

KR 10-2005-00262 30 3/2005

OTHER PUBLICATIONS

APEM Catalog, KR Series Power Rocker Switches, available at least as early as Jul. 2010 from the APEM.com website.

(Continued)

Primary Examiner — Mark Goodwin

(74) *Attorney, Agent, or Firm* — Finnegan, Henderson, Farabow, Garrett & Dunner LLP

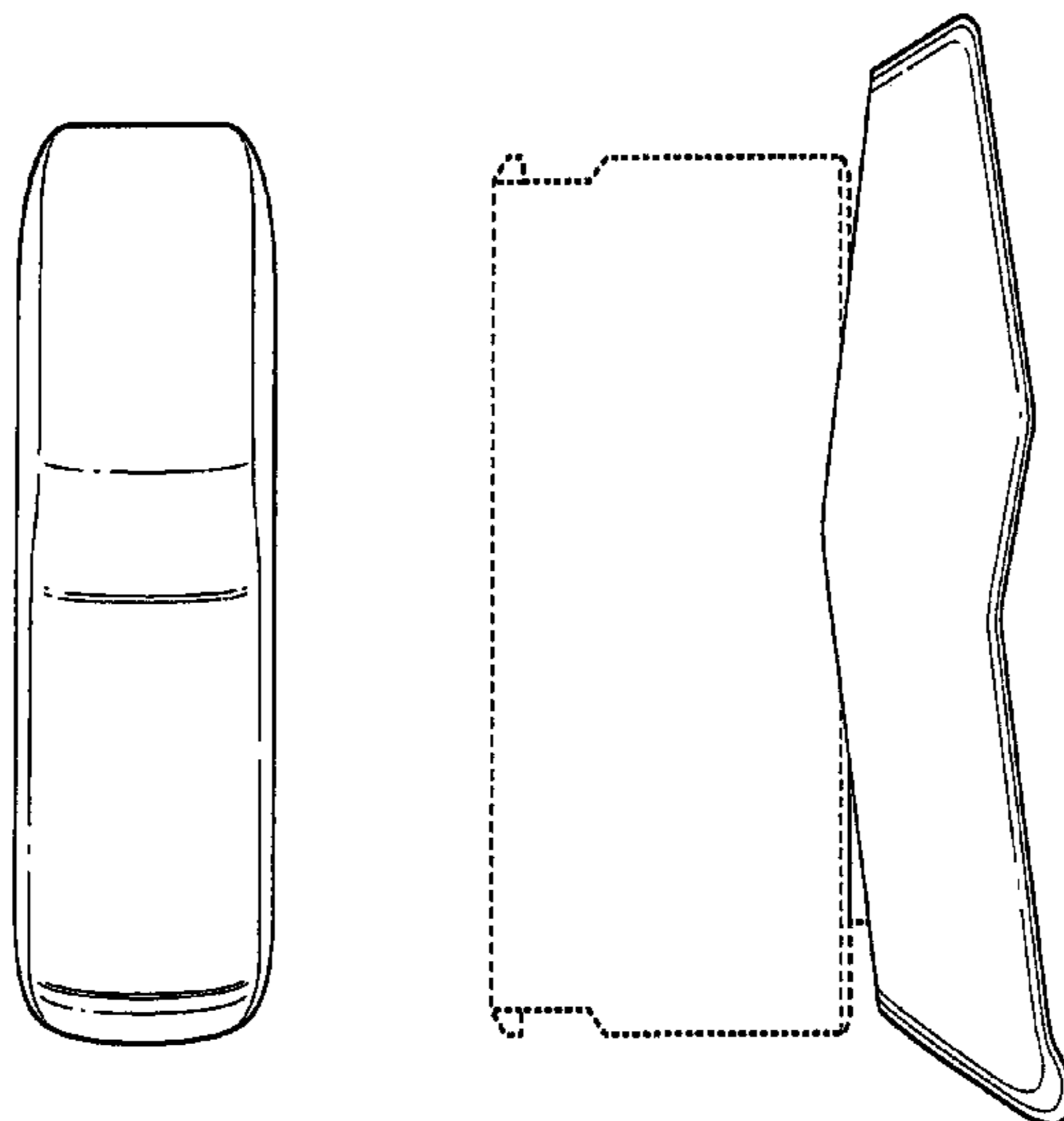
(57) **CLAIM**

The ornamental design of an a rocker switch, as shown and described.

DESCRIPTION

FIG. 1 is a front elevation view of a finger-facing surface of a rocker switch showing our new design; FIG. 2 is a left side view thereof, the right side view being a mirror image thereof; FIG. 3 is a top plan view thereof; and, FIG. 4 is a bottom plan view thereof. The broken lines of the figures are included for the purposes of illustrating claimed design. The rear view of the rocker switch is not visible during ordinary use and is no part of the claimed design.

1 Claim, 4 Drawing Sheets



(56)

References Cited

U.S. PATENT DOCUMENTS

D428,022 S * 7/2000 Altmann et al. D15/28
 D432,474 S 10/2000 Sacco et al.
 D434,425 S * 11/2000 Rossow et al. D15/28
 D436,604 S * 1/2001 Rossow et al. D15/28
 D439,257 S * 3/2001 Rossow et al. D15/28
 D439,556 S 3/2001 Beigel
 6,274,826 B1 8/2001 Serizawa et al.
 D468,246 S 1/2003 Wyszogrod et al.
 D470,807 S 2/2003 Wyszogrod et al.
 6,576,855 B2 6/2003 Levendis et al.
 D489,660 S 5/2004 Okumura et al.
 D493,395 S * 7/2004 Hill et al. D12/192
 D493,399 S 7/2004 Schowalter et al.
 D495,641 S 9/2004 Nakajima et al.
 D497,337 S 10/2004 Takagi et al.
 D499,998 S 12/2004 Tanaka et al.
 D507,471 S 7/2005 Schowalter et al.
 D514,995 S 2/2006 Acton et al.
 D518,794 S 4/2006 Hedderich et al.
 D519,469 S 4/2006 Sorenson
 7,026,565 B1 4/2006 Lee
 D525,933 S 8/2006 Lee et al.
 7,105,762 B1 9/2006 Lee
 D532,755 S 11/2006 Hori et al.
 D534,468 S 1/2007 Colburn et al.
 D536,650 S 2/2007 Young et al.
 7,208,693 B1 4/2007 Yu
 D543,558 S * 5/2007 Dolesh et al. D15/28

D551,144 S * 9/2007 Shinoda et al. D12/192
 D554,572 S * 11/2007 Iguchi D12/192
 D562,265 S 2/2008 Winkler
 D577,644 S 9/2008 Wyszogrod et al.
 7,425,891 B2 * 9/2008 Colburn et al. 340/438
 D587,980 S 3/2009 Rosenbohm
 D608,265 S 1/2010 Collins et al.
 D616,346 S * 5/2010 Jimenez D12/192
 D619,947 S * 7/2010 Tirey et al. D12/192
 D621,760 S * 8/2010 Wiedeman et al. D12/192
 7,823,952 B2 * 11/2010 Utsugi et al. 296/70
 2001/0019013 A1 9/2001 Weber et al.
 2007/0181414 A1 8/2007 Belanger
 2010/0258418 A1 10/2010 Yu

OTHER PUBLICATIONS

Carling Technologies Catalog, V-Series Contura Rocker Switches, available at least as early as Jul. 2010 from www.carlingtech.com website.
 International Search Report and Written Opinion for related International Application No. PCT/US2011/060552; report dated Mar. 28, 2012.
 Bennett Marine Brochure, EIC5000 Electronic Indicator Control Installation and Operation Instructions, Available at least as early as Jul. 2010 from the www.bennettrimtabs.com website.
 U.S. Appl. No. 12/947,387, filed Dec. 16, 2010.
 Office Action issued Nov. 9, 2012 in U.S. Appl. No. 12/947,387.

* cited by examiner

FIG. 1

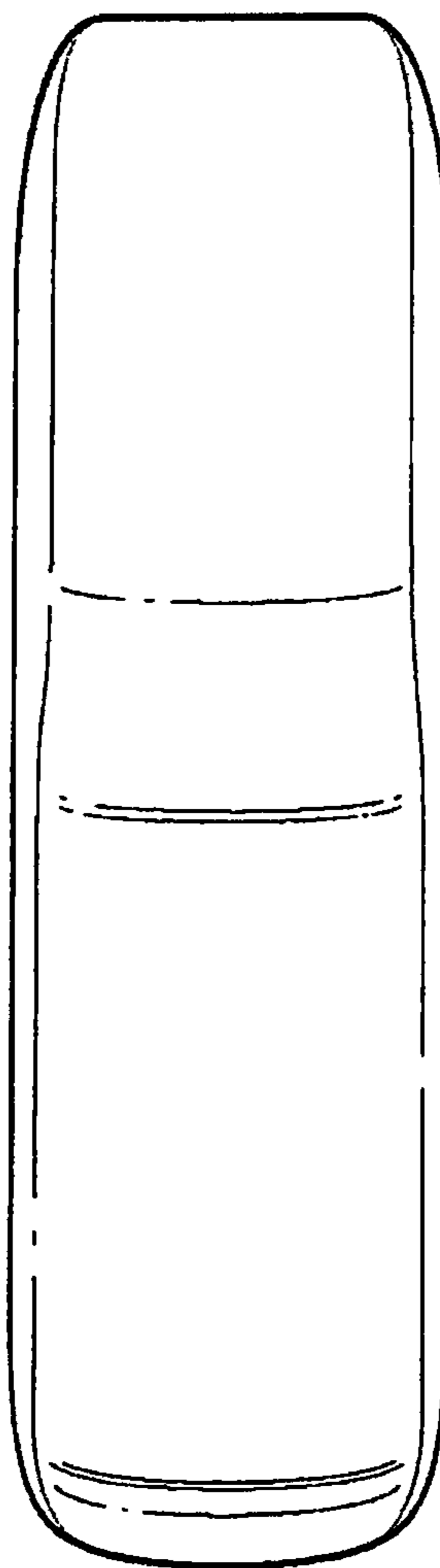


FIG. 2

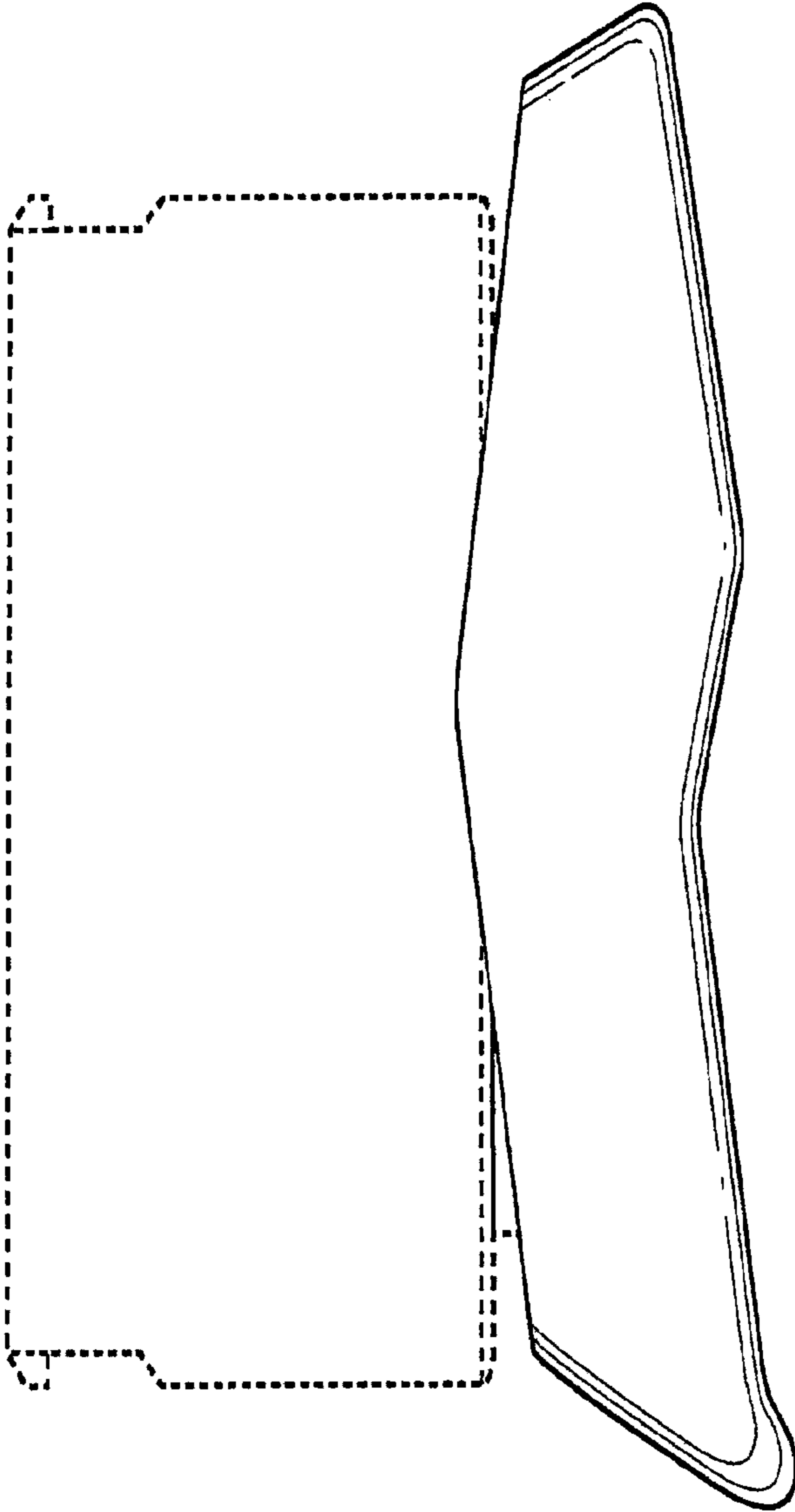


FIG. 3

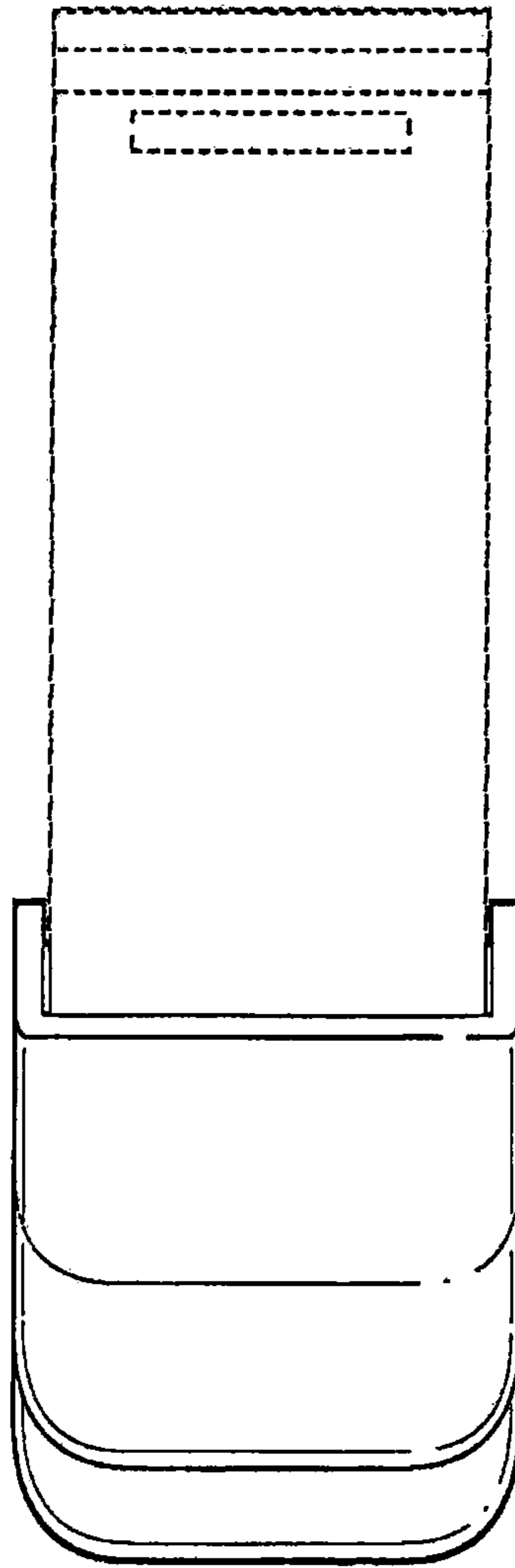


FIG. 4

