



US00D689908S

(12) **United States Design Patent**
Rogers

(10) **Patent No.:** **US D689,908 S**
(45) **Date of Patent:** **** Sep. 17, 2013**

(54) **PUMP**

(71) Applicant: **Thomas W. Rogers**, Brentwood, TN
(US)

(72) Inventor: **Thomas W. Rogers**, Brentwood, TN
(US)

(**) Term: **14 Years**

(21) Appl. No.: **29/439,475**

(22) Filed: **Dec. 11, 2012**

(51) **LOC (9) Cl.** **D15-02**

(52) **U.S. Cl.**
USPC **D15/7**

(58) **Field of Classification Search**
USPC D15/7-9; D23/231, 232, 225; 417/60,
417/235, 265, 321, 355, 358, 363, 359, 410.1,
417/415-416, 405, 900, 43, 554; 60/408,
60/412; 184/26-37; 415/140-147; 123/495,
123/509; 166/105.1, 105.2, 311; 604/73;
D24/109

See application file for complete search history.

(56) **References Cited**

U.S. PATENT DOCUMENTS

D329,650 S *	9/1992	Whitley, II	D15/7
D339,143 S *	9/1993	Whitley, II	D15/7
D395,317 S *	6/1998	Karlsson et al.	D15/7
D466,527 S *	12/2002	Graber et al.	D15/9
D498,480 S *	11/2004	Tsai	D15/7
D505,681 S *	5/2005	Rossman et al.	D15/7
D507,580 S *	7/2005	Rossman et al.	D15/7
D510,363 S *	10/2005	Leone et al.	D15/7
D540,350 S *	4/2007	Hulks	D15/9
D558,233 S *	12/2007	Itani et al.	D15/7
D678,338 S *	3/2013	O'Shea	D15/7

OTHER PUBLICATIONS

Co-pending U.S. Appl. No. 29/439,474, filed Dec. 11, 2012.

* cited by examiner

Primary Examiner — Ralf Seifert

(74) *Attorney, Agent, or Firm* — Waddey & Patterson, PC;
Matthew C. Cox

(57) **CLAIM**

What is claimed is the ornamental design for a pump, as shown and described.

DESCRIPTION

FIG. 1 is a right side upper perspective view showing the pump of Applicant's invention.

FIG. 2 is a left side upper perspective view of the pump of Applicant's invention.

FIG. 3 is a right side lower perspective view of the pump of Applicant's invention.

FIG. 4 is a left side lower perspective view of the pump of Applicant's invention.

FIG. 5 is a front elevation view of the pump of Applicant's invention.

FIG. 6 is a back elevation view of the pump of Applicant's invention.

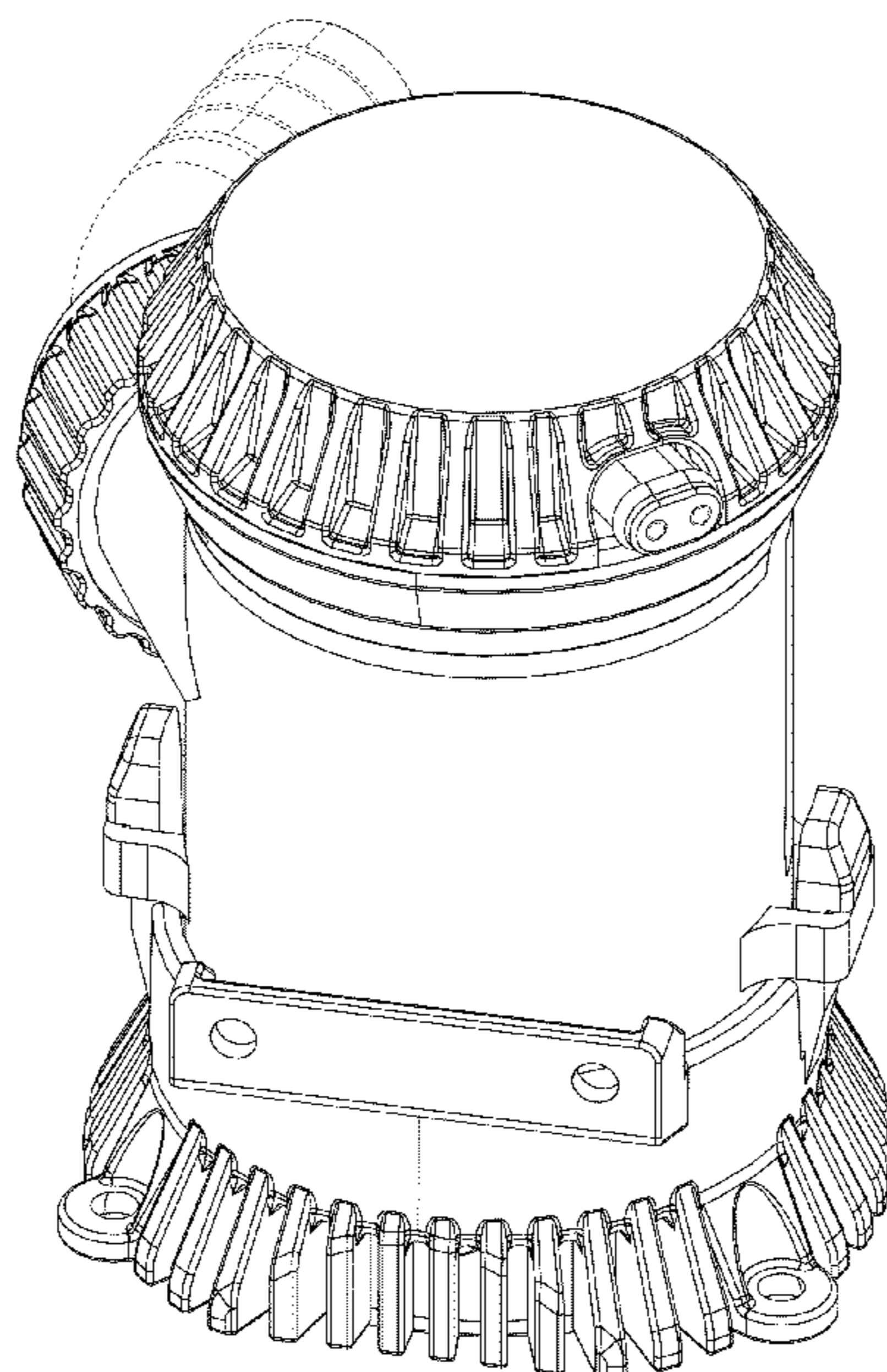
FIG. 7 is a right side elevation view of the pump of Applicant's invention.

FIG. 8 is a left side elevation view of the pump of Applicant's invention.

FIG. 9 is a top view of the pump of Applicant's invention; and, FIG. 10 is a bottom view of the pump of Applicant's invention.

The dashed lines in the Figures represent an exemplary embodiment of environmental structure and form no part of the claimed design.

1 Claim, 10 Drawing Sheets



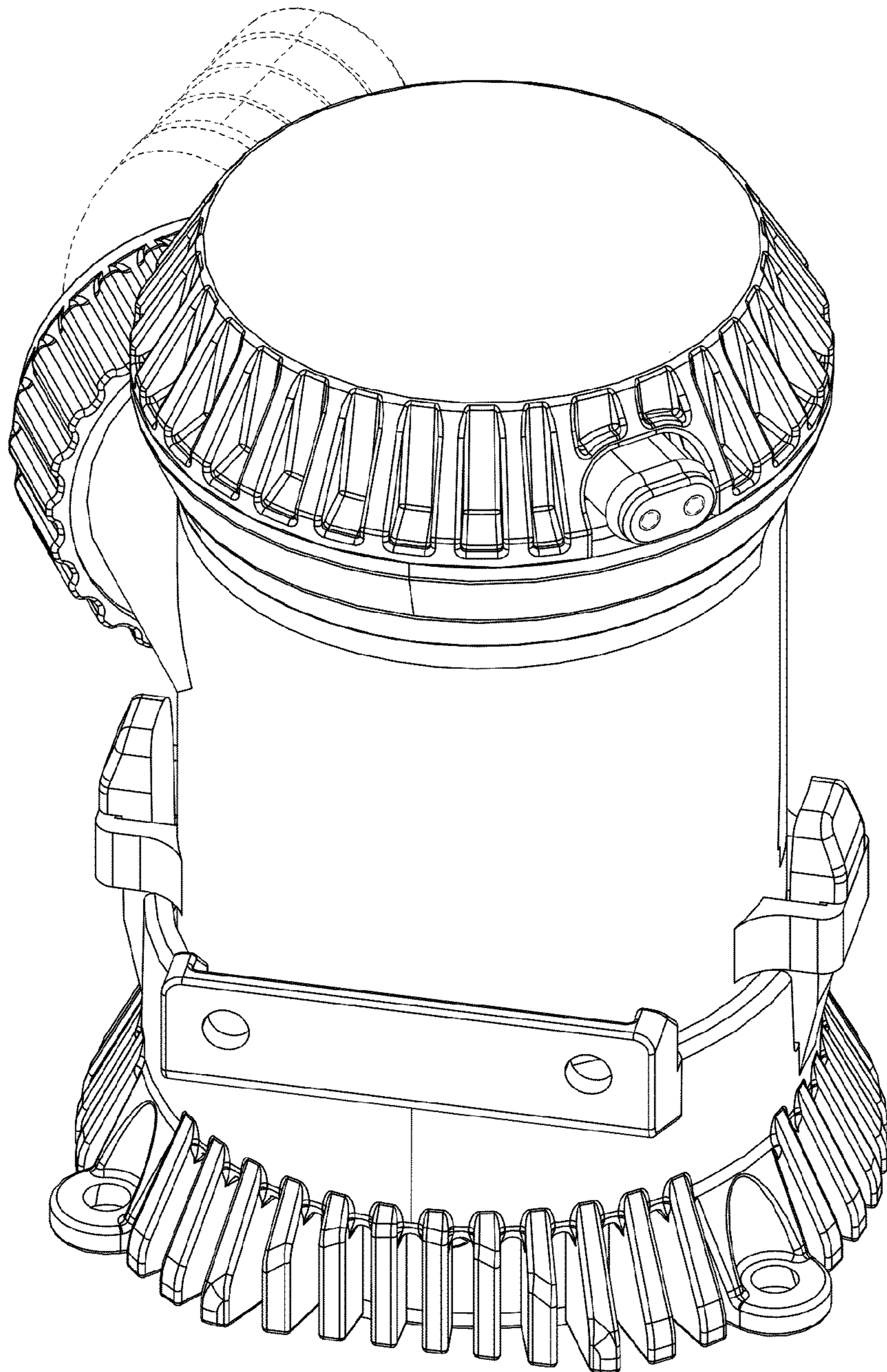


FIG. 1

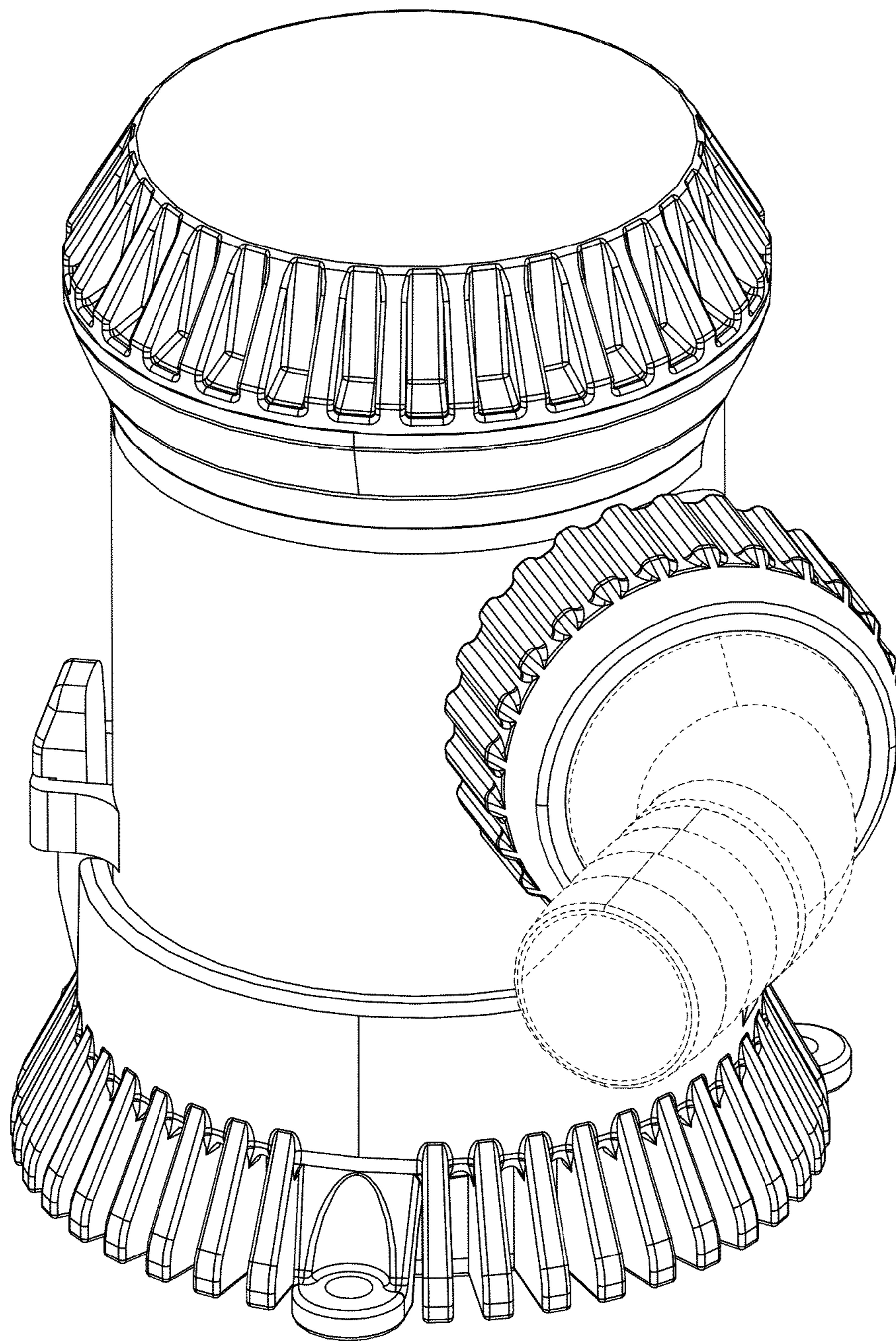


FIG. 2

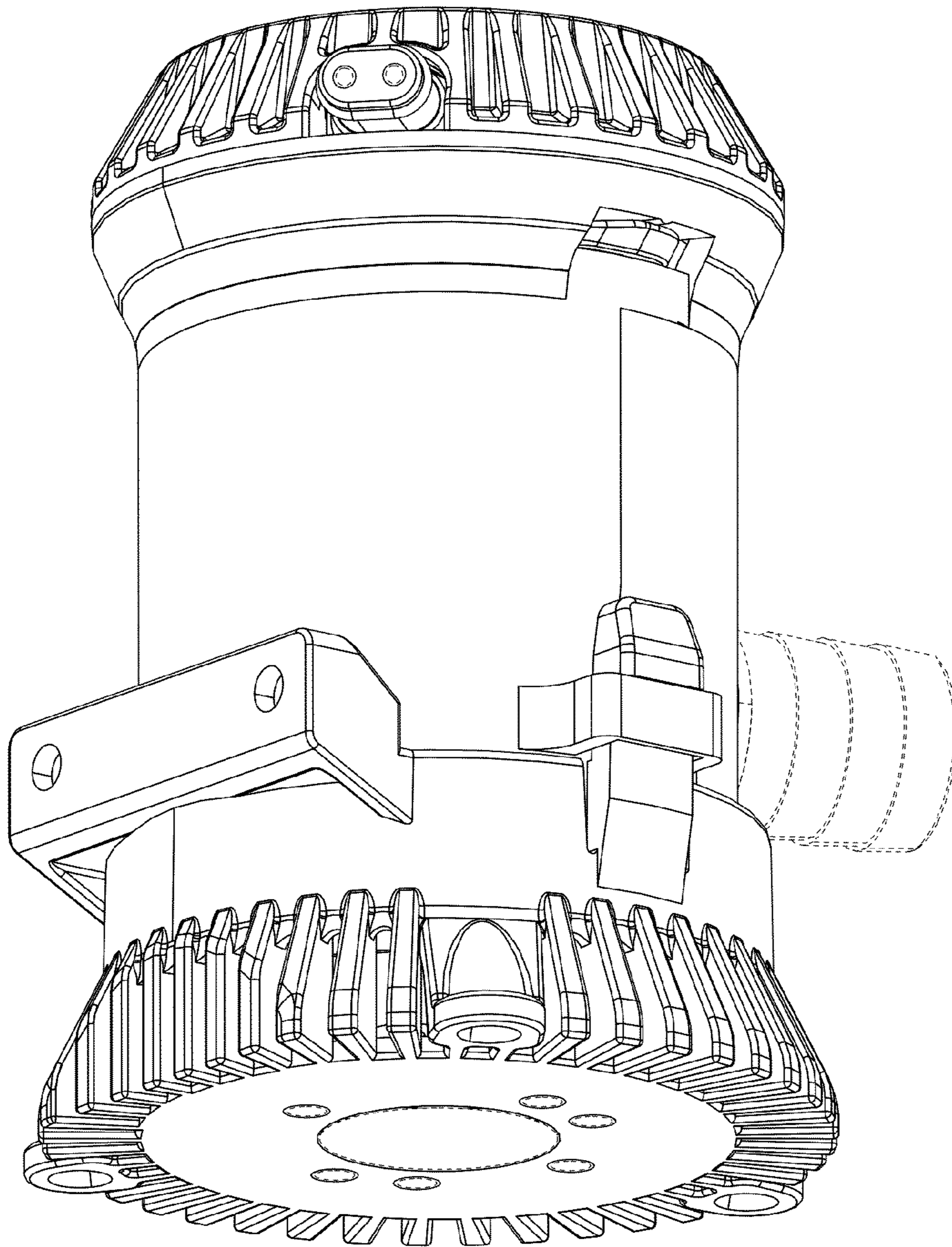


FIG. 3

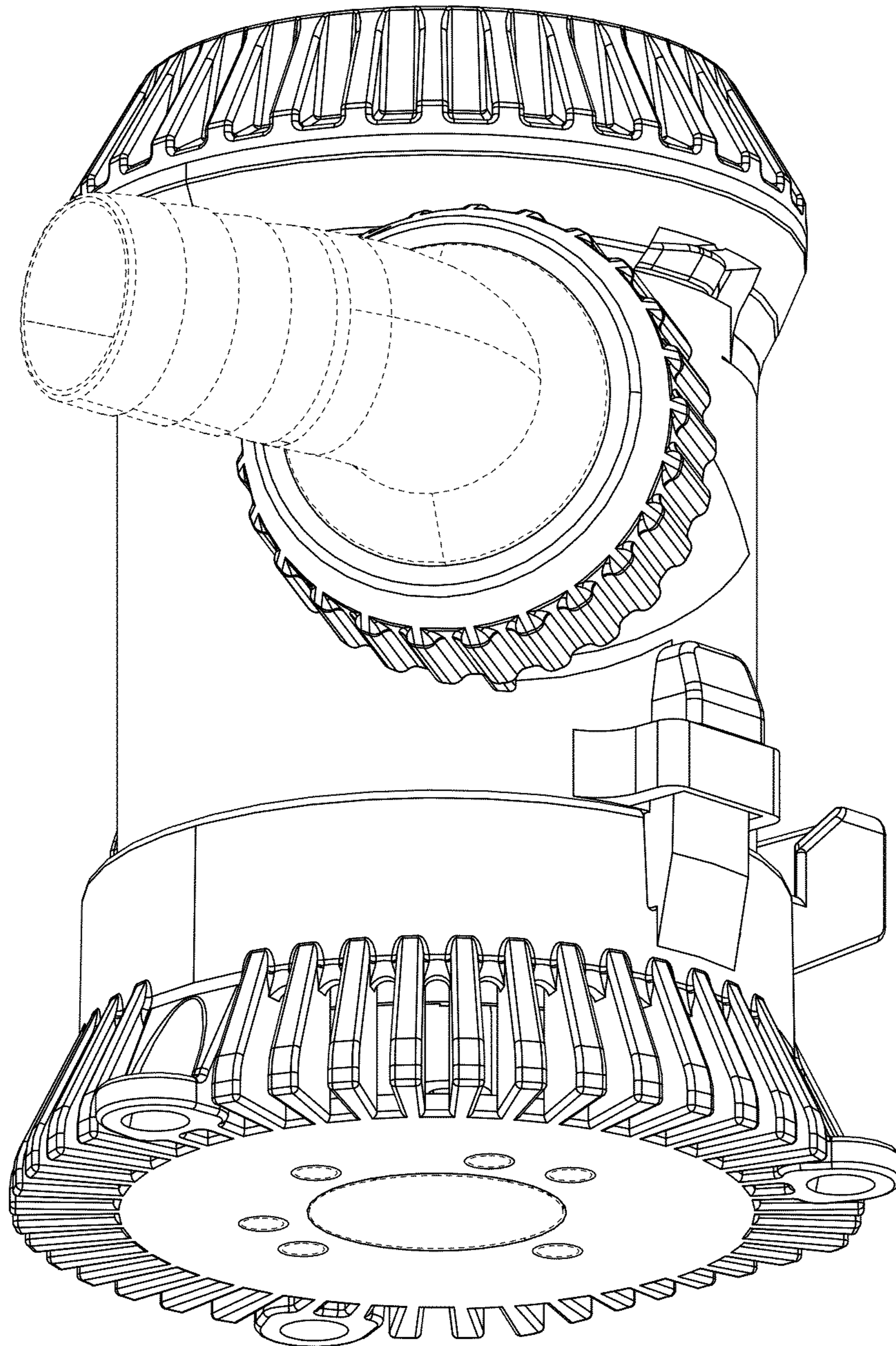


FIG. 4

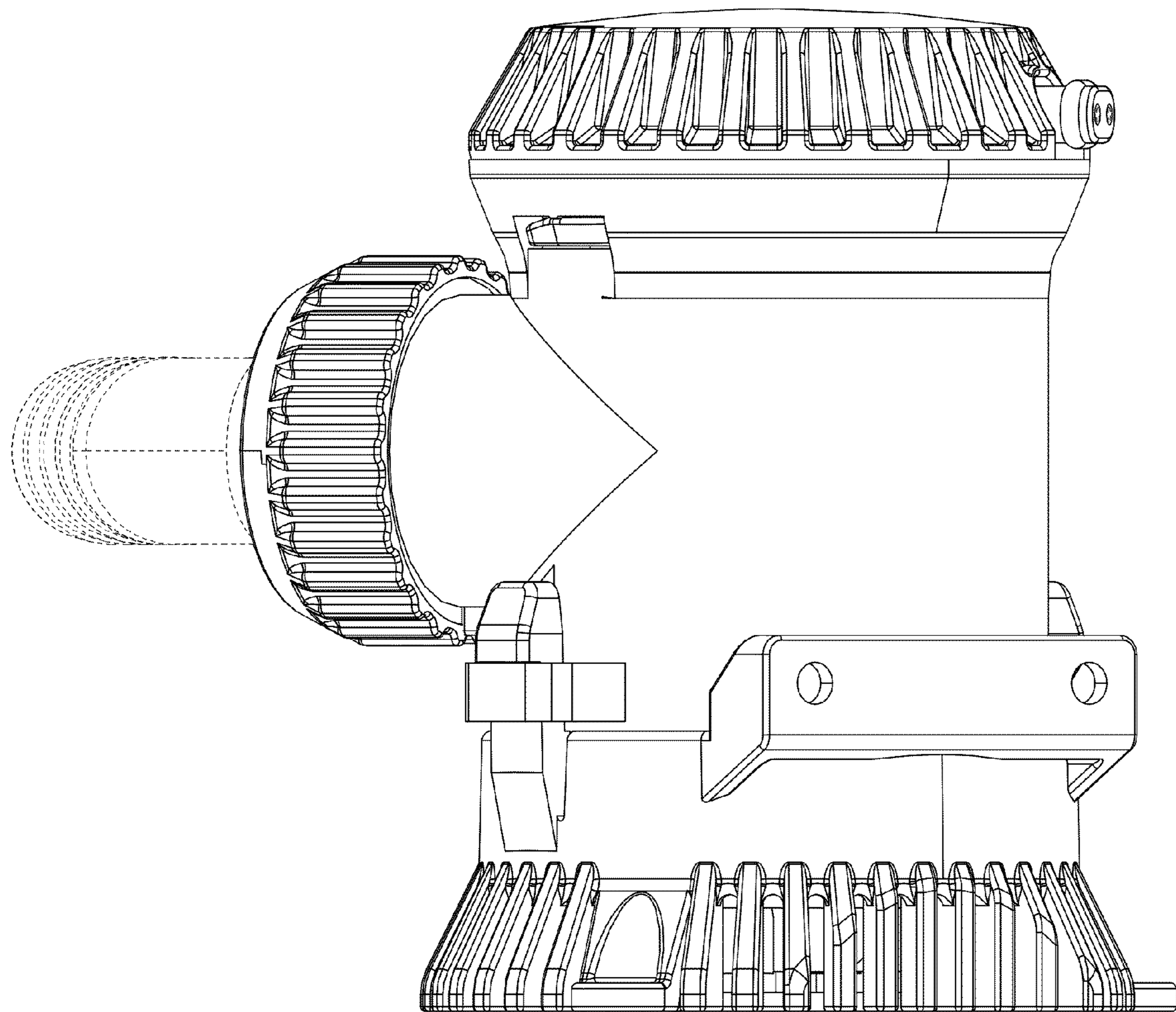


FIG. 5

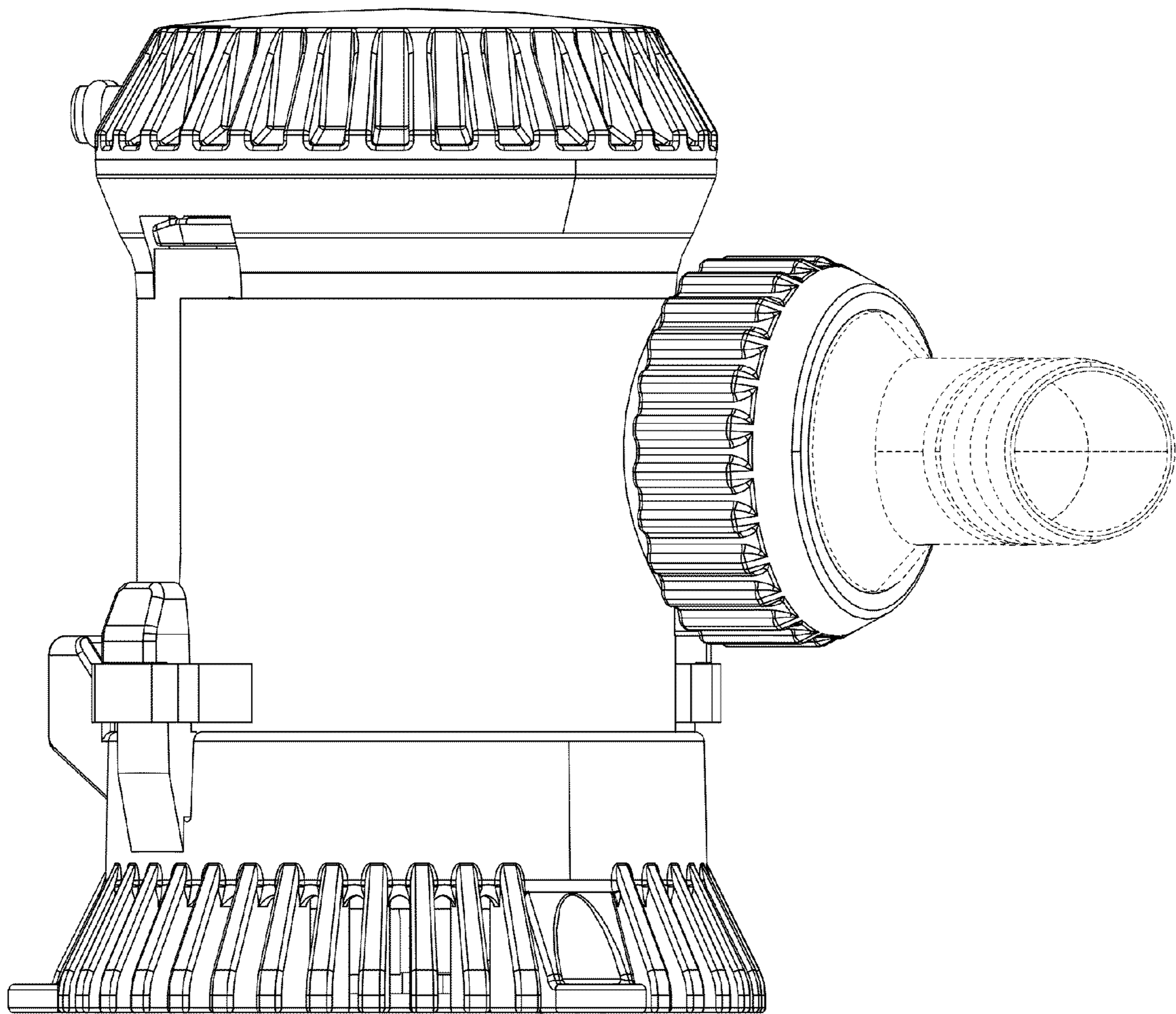


FIG. 6

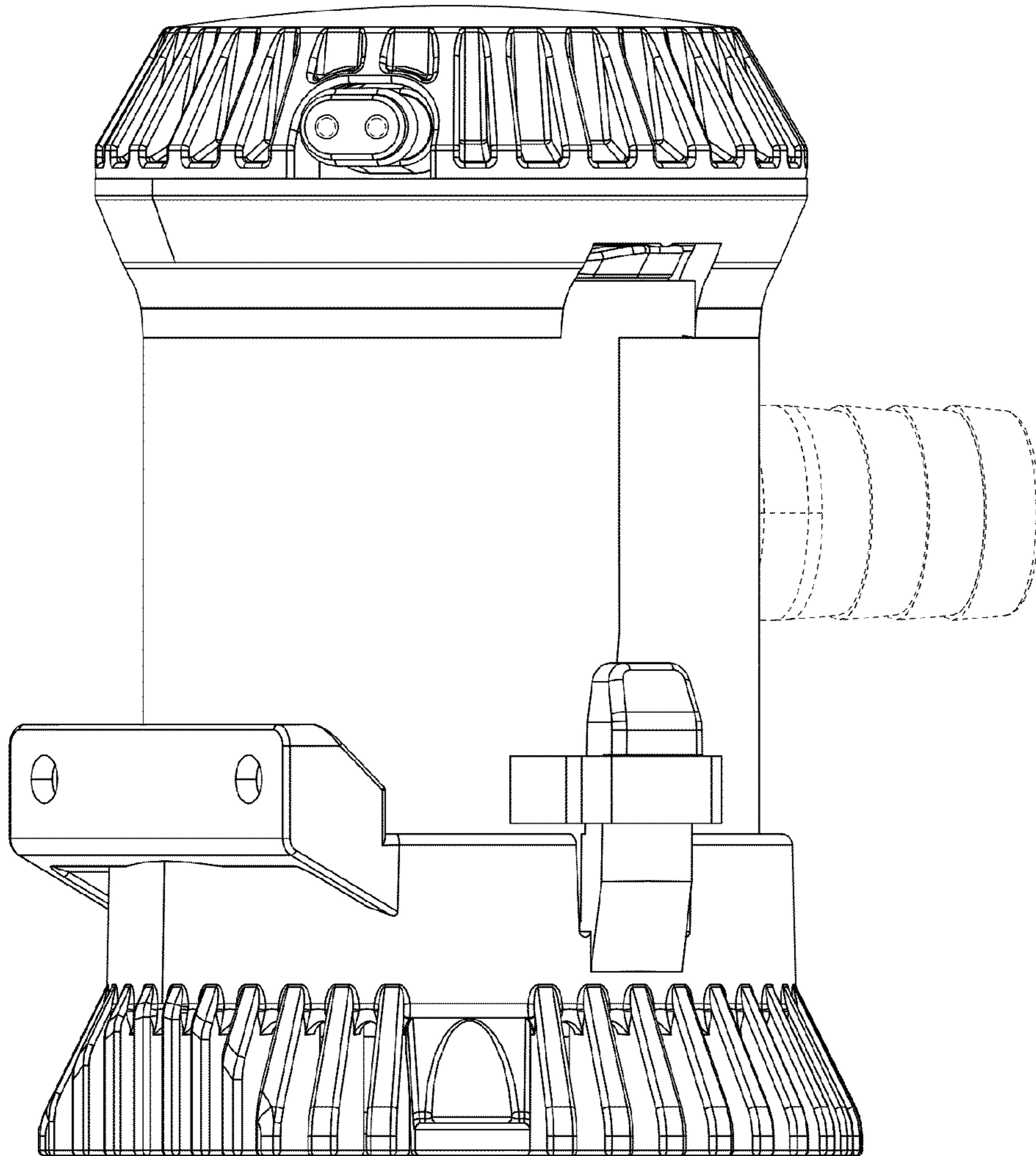


FIG. 7

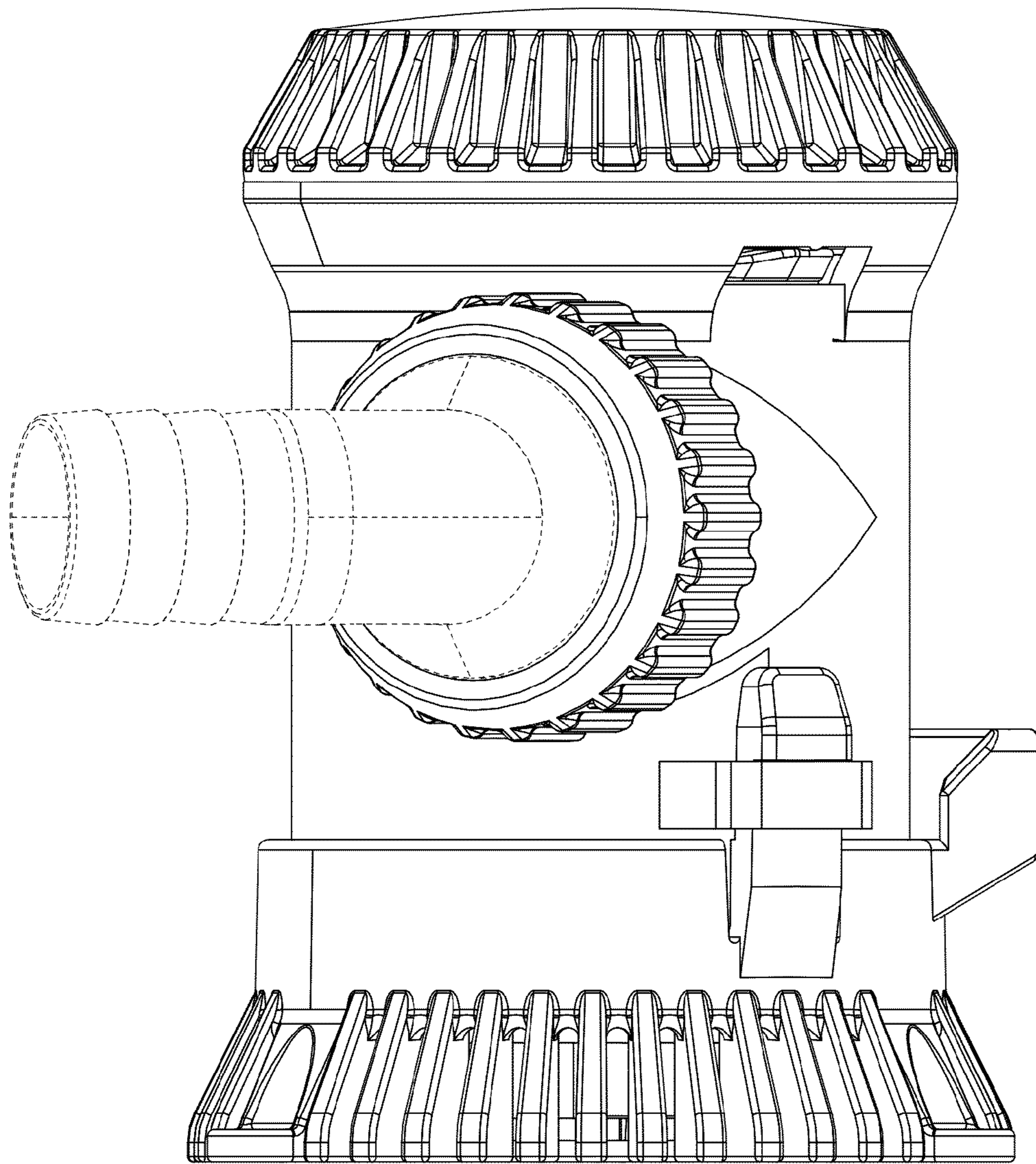


FIG. 8

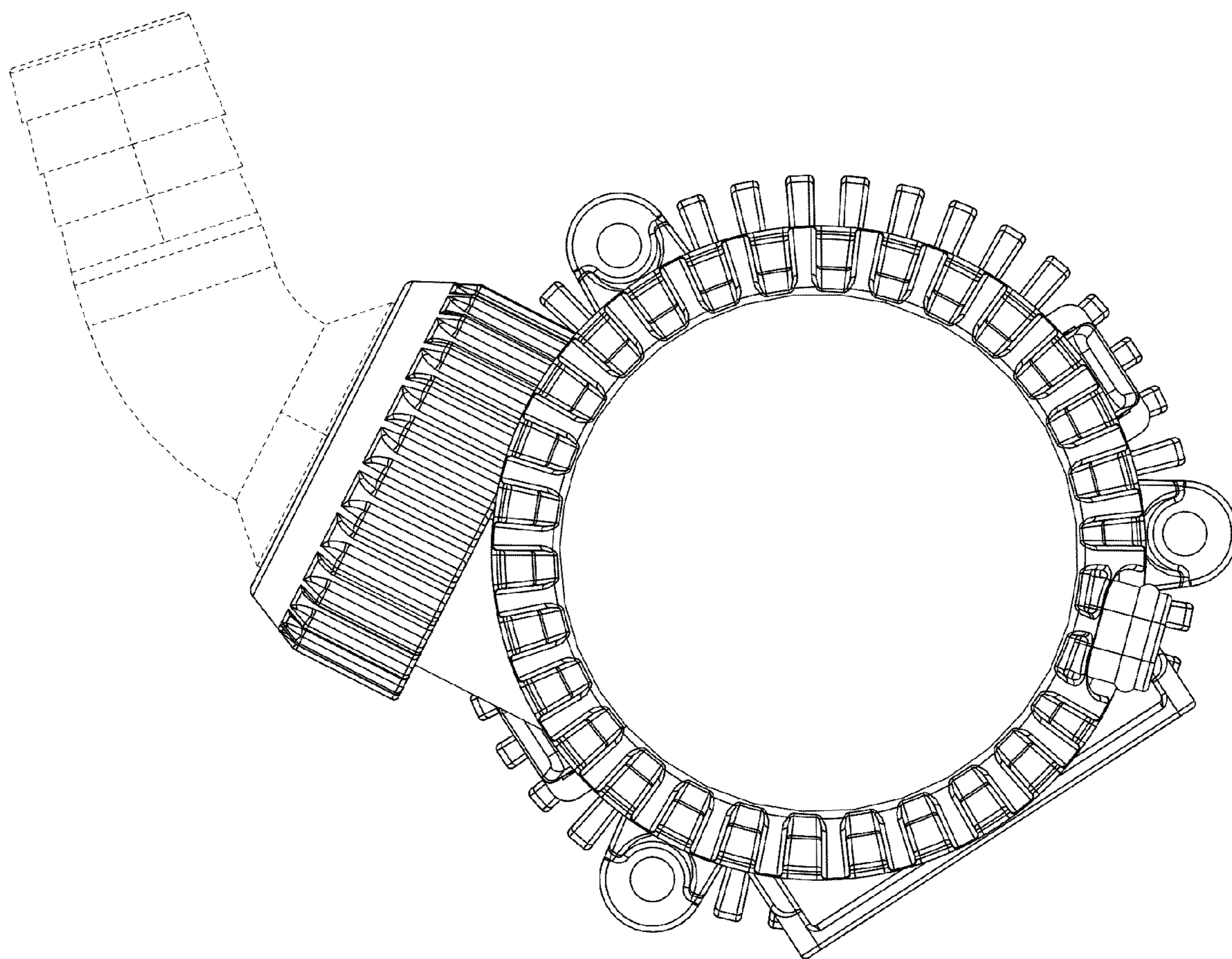


FIG. 9

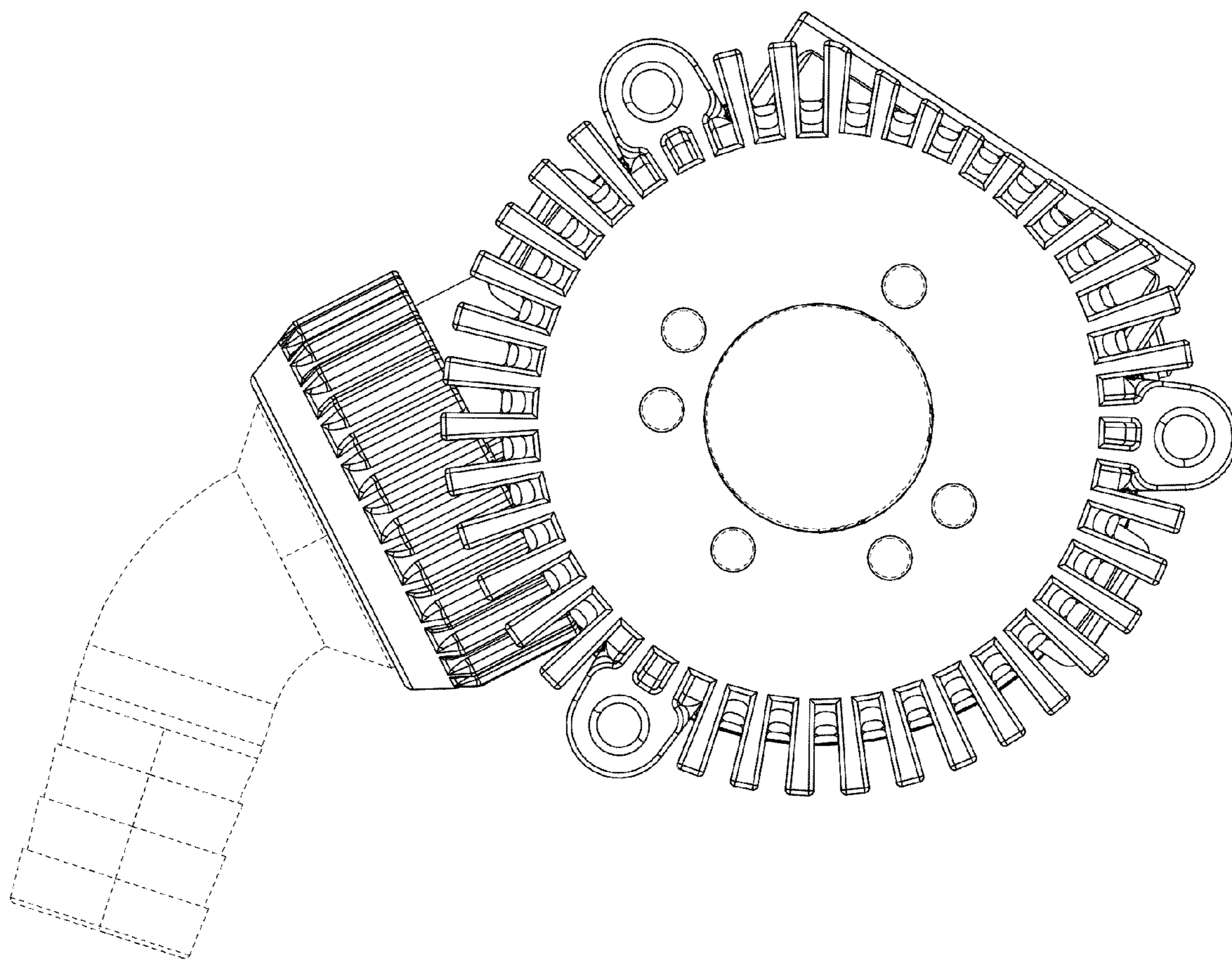


FIG. 10