



US00D689906S

(12) **United States Design Patent**
Yokoyama

(10) **Patent No.:** **US D689,906 S**
(45) **Date of Patent:** **** Sep. 17, 2013**

- (54) **DISC PLAYER**
- (75) Inventor: **Hiroaki Yokoyama**, Tokyo (JP)
- (73) Assignee: **Sony Corporation**, Tokyo (JP)
- (**) Term: **14 Years**
- (21) Appl. No.: **29/421,524**
- (22) Filed: **Aug. 8, 2012**

Related U.S. Application Data

- (60) Division of application No. 29/371,411, filed on Feb. 17, 2011, now Pat. No. Des. 666,216, which is a continuation-in-part of application No. 29/347,690, filed on Apr. 12, 2010, now Pat. No. Des. 666,215, which is a continuation of application No. 29/311,571, filed on Apr. 22, 2009, now Pat. No. Des. 613,764.

Foreign Application Priority Data

- Jan. 15, 2009 (CN) 2009 3 0003567
- Jan. 15, 2009 (CN) 2009 3 0003568
- Jul. 30, 2010 (CN) 2010 3 0273896
- Jul. 30, 2010 (CN) 2010 3 0273900

- (51) **LOC (9) Cl.** **14-03**
- (52) **U.S. Cl.**
USPC **D14/511; D14/157; D14/258**
- (58) **Field of Classification Search**
USPC D14/135, 157, 168, 188, 197-198,
D14/257, 258, 348, 356, 363, 365, 367, 368,
D14/498-511; 360/99.02, 99.07; 369/75.11,
369/75.21, 77.11, 77.21; 455/344, 347-351
See application file for complete search history.

(56) **References Cited**

U.S. PATENT DOCUMENTS

- D400,529 S 11/1998 Kakizaki
- D409,192 S 5/1999 Miyazaki

- D411,996 S 7/1999 Yamazaki
- D423,500 S 4/2000 Miyazaki
- D425,892 S 5/2000 Ito et al.
- D430,132 S 8/2000 Yamazaki
- D437,841 S 2/2001 Kakizaki et al.
- D438,520 S 3/2001 Nose et al.
- D450,692 S 11/2001 Hakoda
- D483,732 S * 12/2003 Yoshihara D14/157
- D483,733 S * 12/2003 Yoshihara D14/157
- D486,134 S 2/2004 Hori et al.
- D534,887 S 1/2007 Endo et al.
- D537,433 S 2/2007 Shimizu
- D538,776 S 3/2007 Suzuki
- D538,778 S 3/2007 Shiono
- D543,964 S 6/2007 Shiono
- D548,209 S 8/2007 Shiono
- D563,922 S 3/2008 Shiono
- D568,847 S 5/2008 Shiono
- D571,326 S 6/2008 Ogura

(Continued)

Primary Examiner — Keli L Hill

(74) *Attorney, Agent, or Firm* — Rader, Fishman & Grauer PLLC

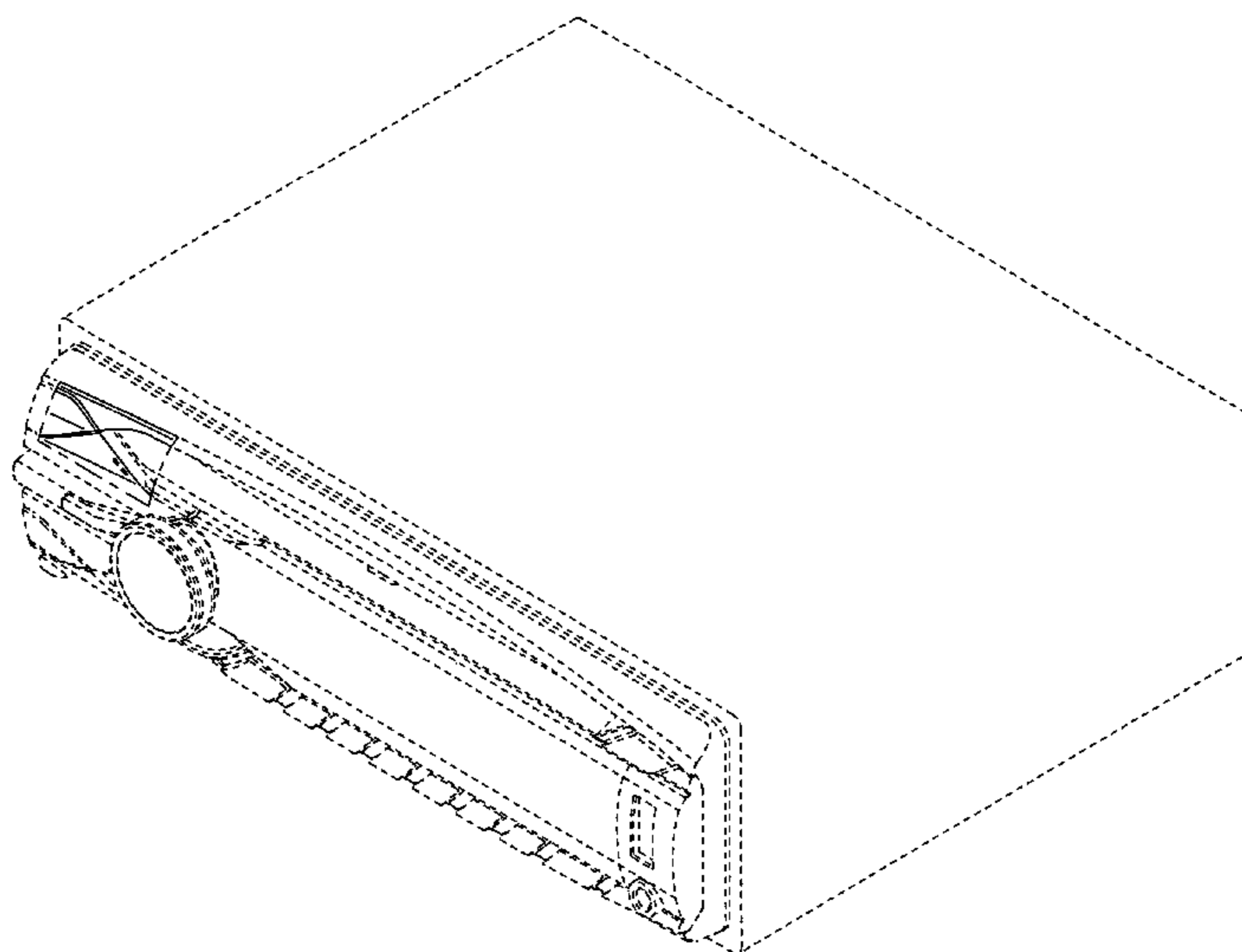
(57) **CLAIM**

The ornamental design for a disc player, as shown and described.

DESCRIPTION

FIG. 1 is a perspective view of a disc player showing my new design;
 FIG. 2 is a front elevational view thereof;
 FIG. 3 is a left side elevational view thereof; and,
 FIG. 4 is a top plan view thereof.
 The broken lines immediately adjacent the shaded areas represent the bounds of the claimed design while all other broken lines are included for the purpose of illustrating the unclaimed portions of the disc player; the broken lines form no part of the claimed design.

1 Claim, 4 Drawing Sheets



(56)

References Cited

U.S. PATENT DOCUMENTS

D571,347 S 6/2008 Masui
D571,348 S * 6/2008 Uehara et al. D14/157
D583,371 S * 12/2008 Yamamoto D14/258
D585,403 S 1/2009 Wada
D585,420 S * 1/2009 Suzuki D14/157

D587,674 S * 3/2009 Uehara et al. D14/157
D613,733 S * 4/2010 Iwamoto D14/258
D613,764 S 4/2010 Yokoyama et al.
D625,701 S * 10/2010 Miyawaki D14/157
D637,993 S * 5/2011 Yamamoto D14/157
D645,464 S * 9/2011 Kimura D14/257

* cited by examiner

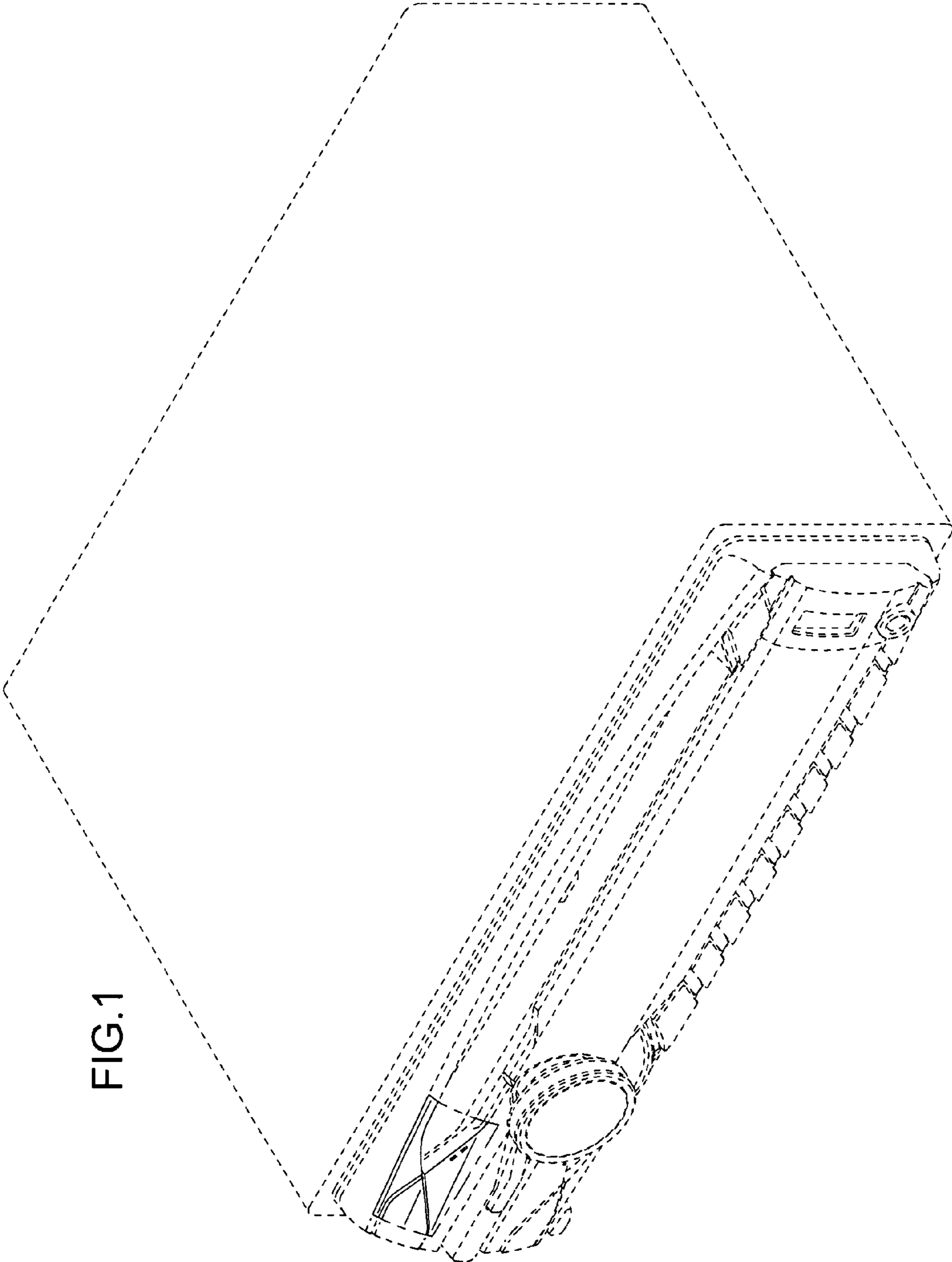
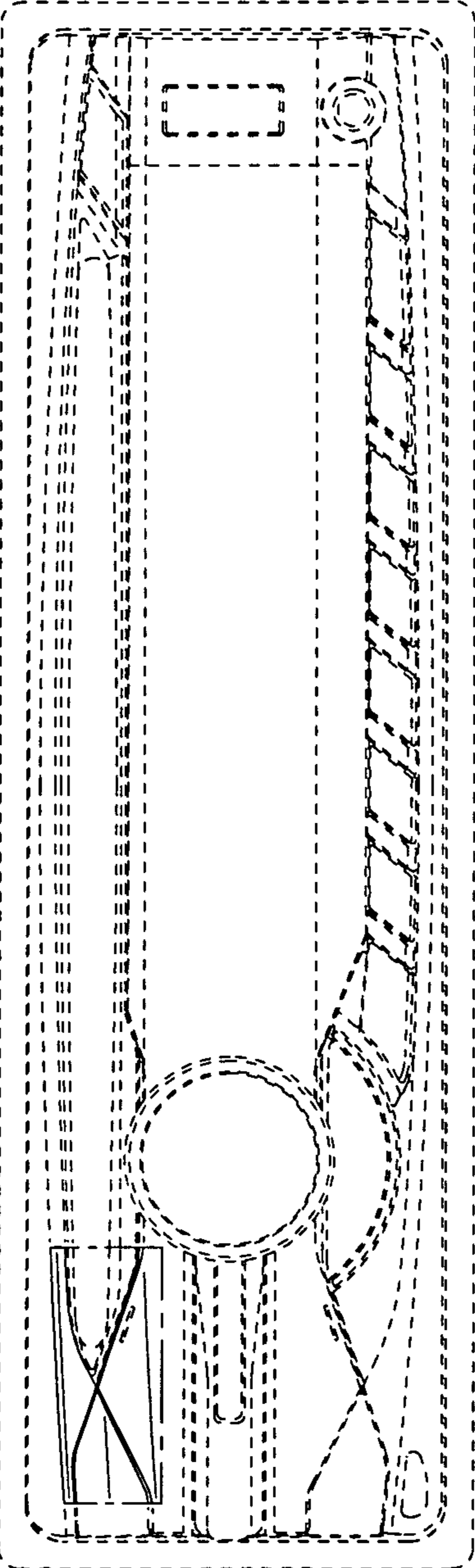


FIG. 1

FIG.2



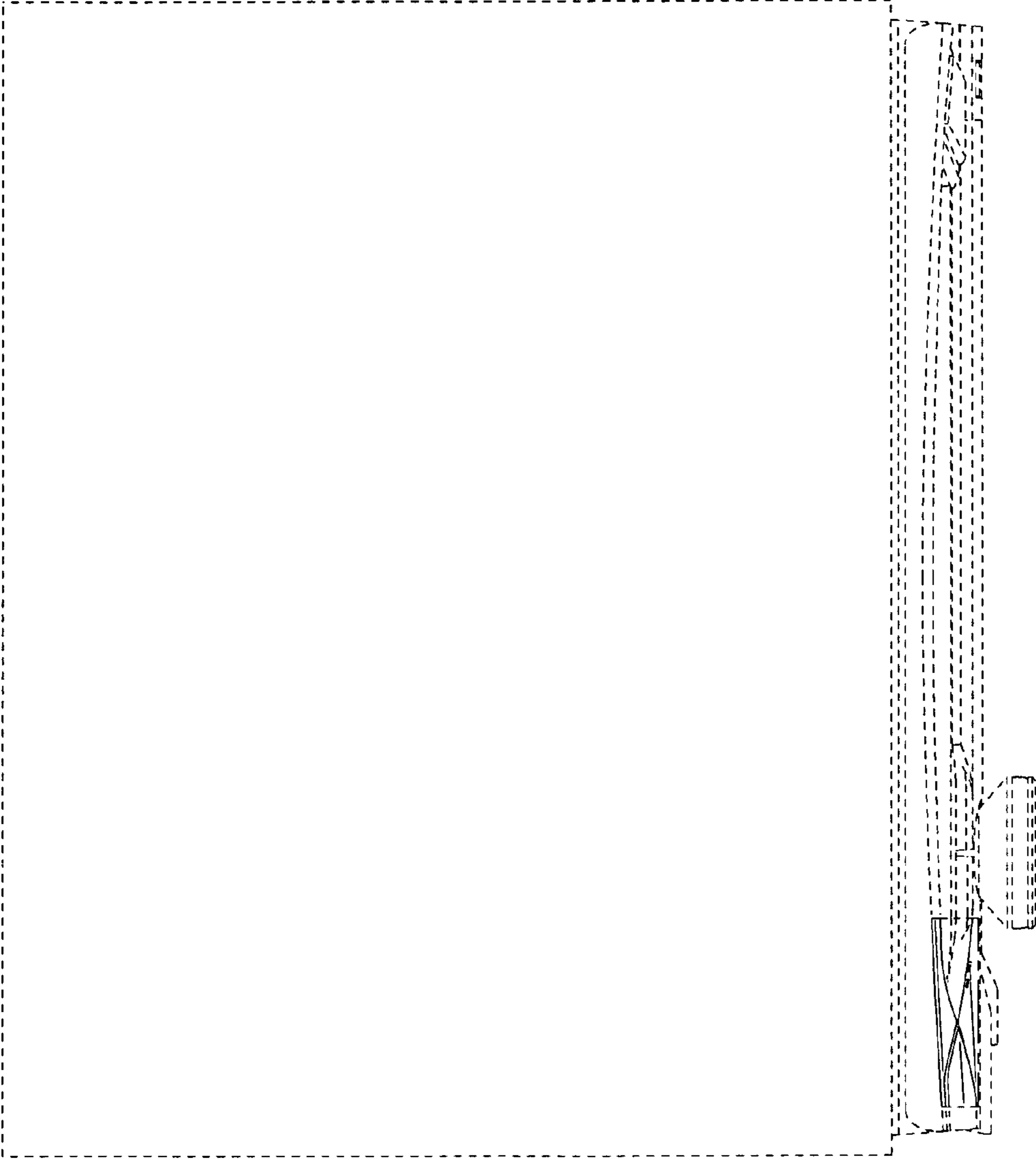
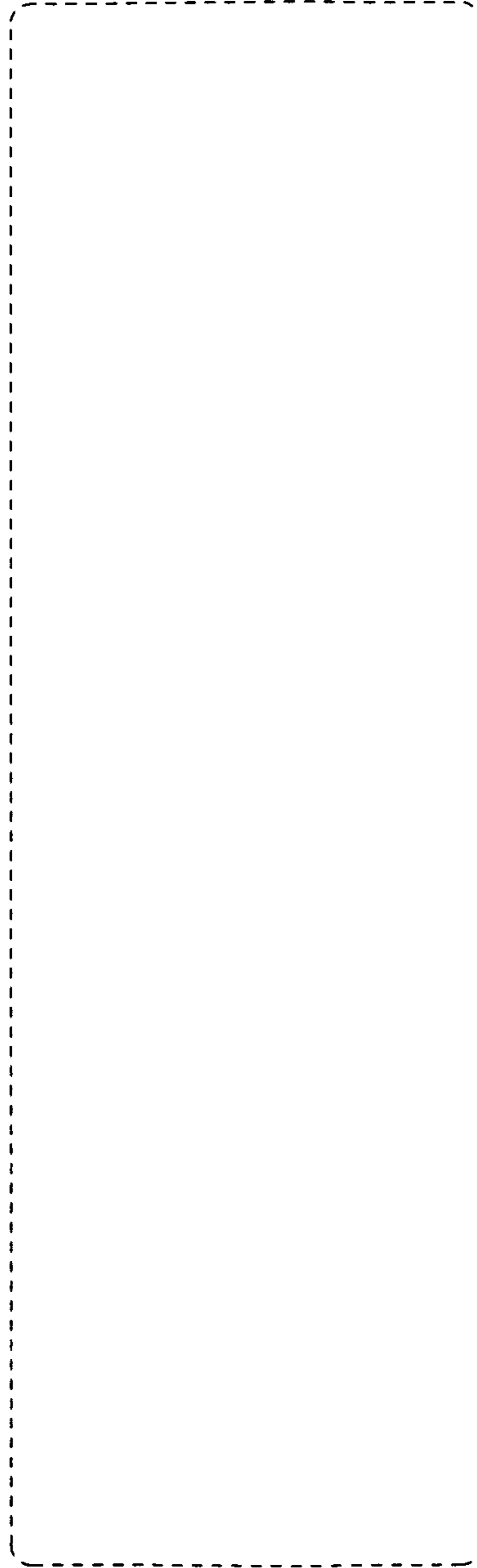


FIG.3

FIG.4



UNITED STATES PATENT AND TRADEMARK OFFICE
CERTIFICATE OF CORRECTION

PATENT NO. : D689,906 S
APPLICATION NO. : 29/421524
DATED : September 17, 2013
INVENTOR(S) : Hiroaki Yokoyama

Page 1 of 5

It is certified that error appears in the above-identified patent and that said Letters Patent is hereby corrected as shown below:

Delete the title page showing an illustrative figure, and substitute the attached title page therefor.

In the Drawings

Delete drawing sheets 1-4 and substitute the attached drawing sheet 1-3 showing figures 1-4 therefor.

Signed and Sealed this
Second Day of September, 2014



Michelle K. Lee
Deputy Director of the United States Patent and Trademark Office

(12) **United States Design Patent**
Yokoyama

(10) **Patent No.:** **US D689,906 S**
(45) **Date of Patent:** **** Sep. 17, 2013**

- (54) **DISC PLAYER**
- (75) **Inventor:** **Hiroaki Yokoyama, Tokyo (JP)**
- (73) **Assignee:** **Sony Corporation, Tokyo (JP)**
- (**) **Term:** **14 Years**
- (21) **Appl. No.:** **29/421,524**
- (22) **Filed:** **Aug. 8, 2012**

Related U.S. Application Data

- (60) Division of application No. 29/371,411, filed on Feb. 17, 2011, now Pat. No. Des. 666,216, which is a continuation-in-part of application No. 29/347,690, filed on Apr. 12, 2010, now Pat. No. Des. 666,215, which is a continuation of application No. 29/311,571, filed on Apr. 22, 2009, now Pat. No. Des. 613,764.

(30) **Foreign Application Priority Data**

- Jan. 15, 2009 (CN) 2009 3 0003567
- Jan. 15, 2009 (CN) 2009 3 0003568
- Jul. 30, 2010 (CN) 2010 3 0273896
- Jul. 30, 2010 (CN) 2010 3 0273900

- (51) **LOC (9) Cl.** **14-03**
- (52) **U.S. Cl.**
USPC **D14/511; D14/157; D14/258**
- (58) **Field of Classification Search**
USPC **D14/135, 157, 168, 188, 197-198, D14/257, 258, 348, 356, 363, 365, 367, 368, D14/498-511; 360/99.02, 99.07; 369/75.11, 369/75.21, 77.11, 77.21; 455/344, 347-351**
See application file for complete search history.

(56) **References Cited**

U.S. PATENT DOCUMENTS

- D400,529 S 11/1998 Kakizaki
- D409,192 S 5/1999 Miyazaki

- D411,996 S 7/1999 Yamazaki
- D423,500 S 4/2000 Miyazaki
- D425,892 S 5/2000 Ito et al.
- D430,132 S 8/2000 Yamazaki
- D437,841 S 2/2001 Kakizaki et al.
- D438,520 S 3/2001 Nose et al.
- D450,692 S 11/2001 Hakoda
- D483,732 S * 12/2003 Yoshihara D14/157
- D483,733 S * 12/2003 Yoshihara D14/157
- D486,134 S 2/2004 Hori et al.
- D534,887 S 1/2007 Endo et al.
- D537,433 S 2/2007 Shimizu
- D538,776 S 3/2007 Suzuki
- D538,778 S 3/2007 Shiono
- D543,964 S 6/2007 Shiono
- D548,209 S 8/2007 Shiono
- D563,922 S 3/2008 Shiono
- D568,847 S 5/2008 Shiono
- D571,326 S 6/2008 Ogura

(Continued)

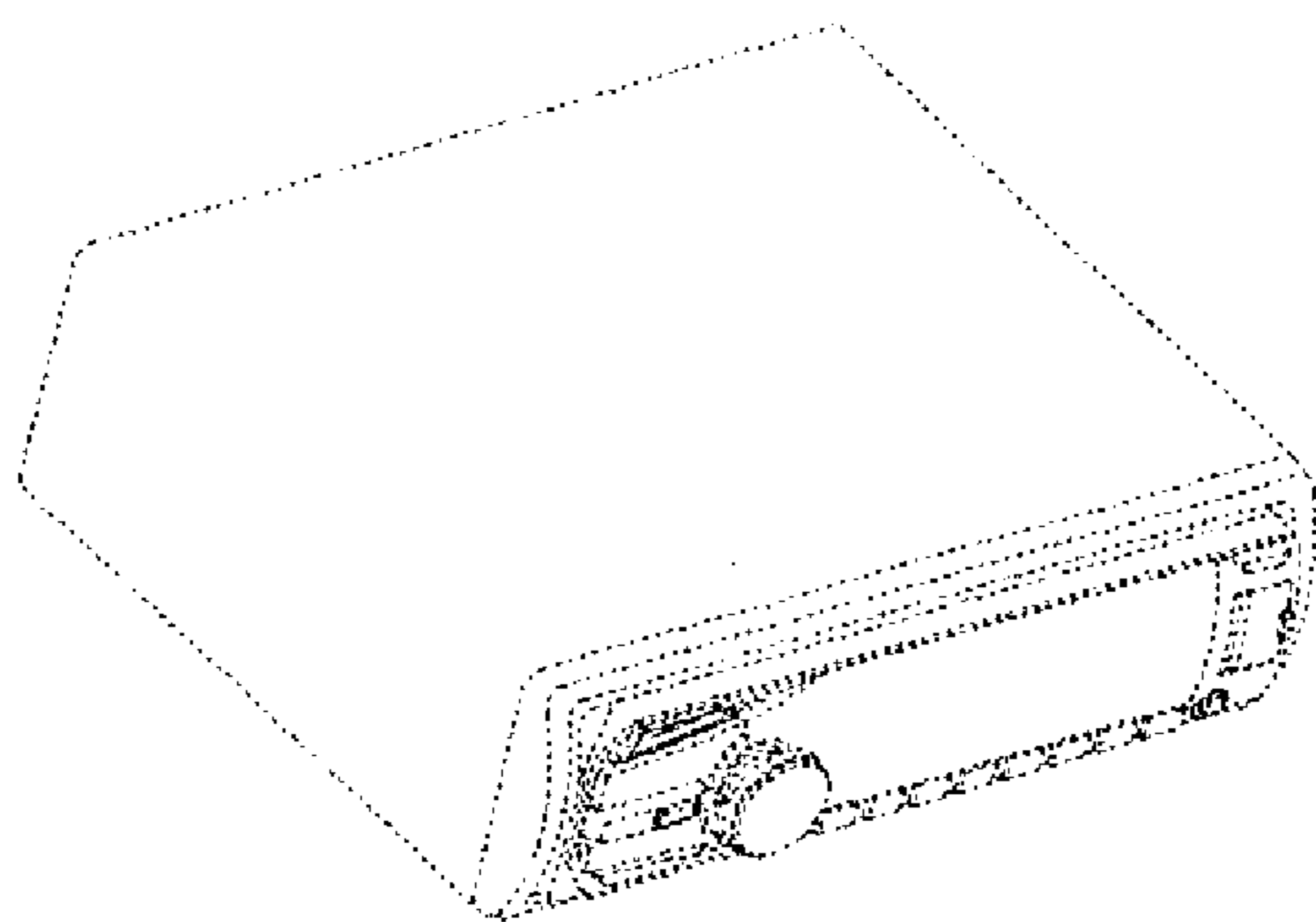
Primary Examiner — Keli L Hill
(74) *Attorney, Agent, or Firm* — Rader, Fishman & Grauer PLLC

(57) **CLAIM**
The ornamental design for a disc player, as shown and described.

DESCRIPTION

FIG. 1 is a perspective view of a disc player showing my new design;
FIG. 2 is a front elevational view thereof;
FIG. 3 is a left side elevational view thereof; and,
FIG. 4 is a top plan view thereof.
The broken lines immediately adjacent the shaded areas represent the bounds of the claimed design while all other broken lines are included for the purpose of illustrating the unclaimed portions of the disc player; the broken lines form no part of the claimed design.

1 Claim, 3 Drawing Sheets



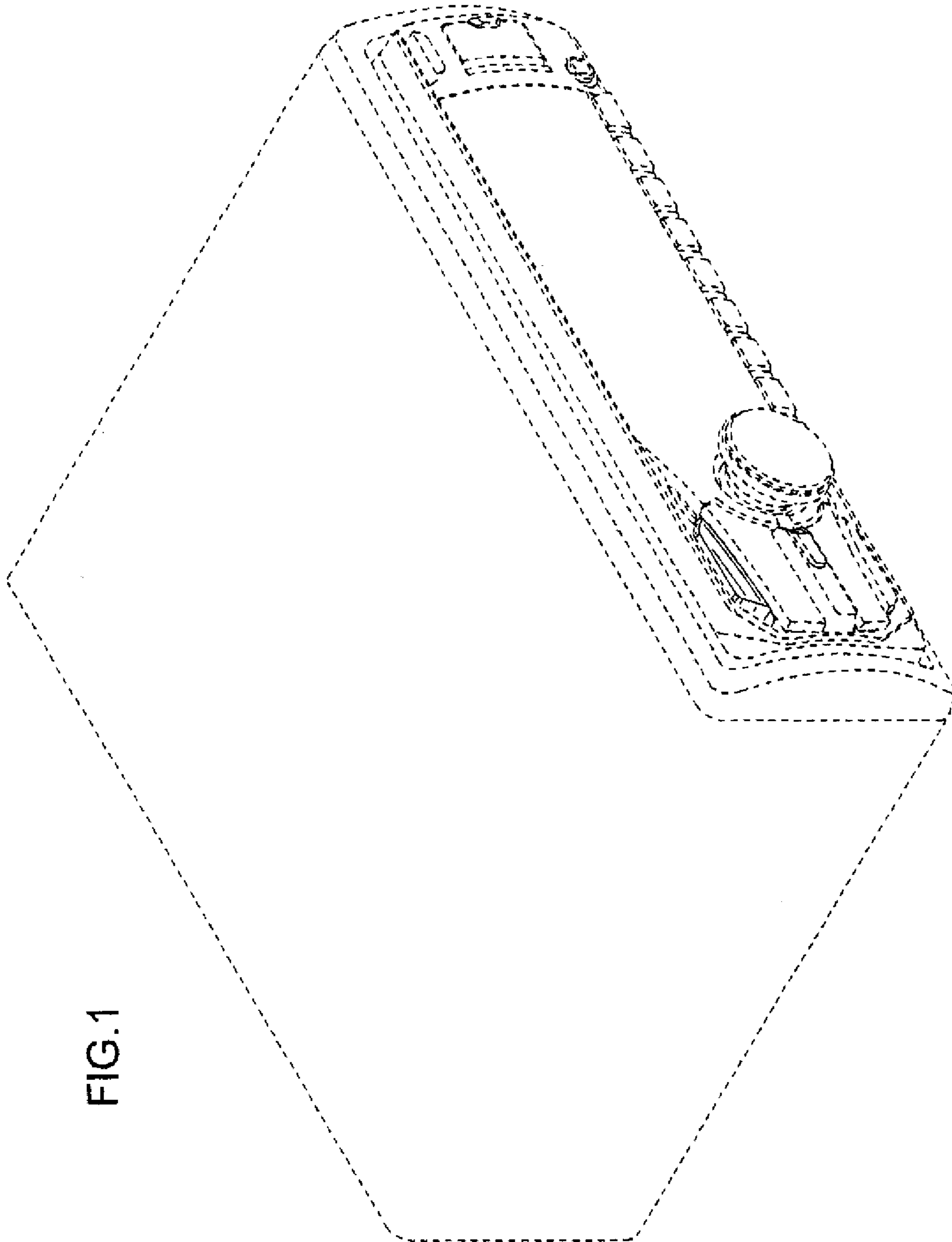


FIG. 1

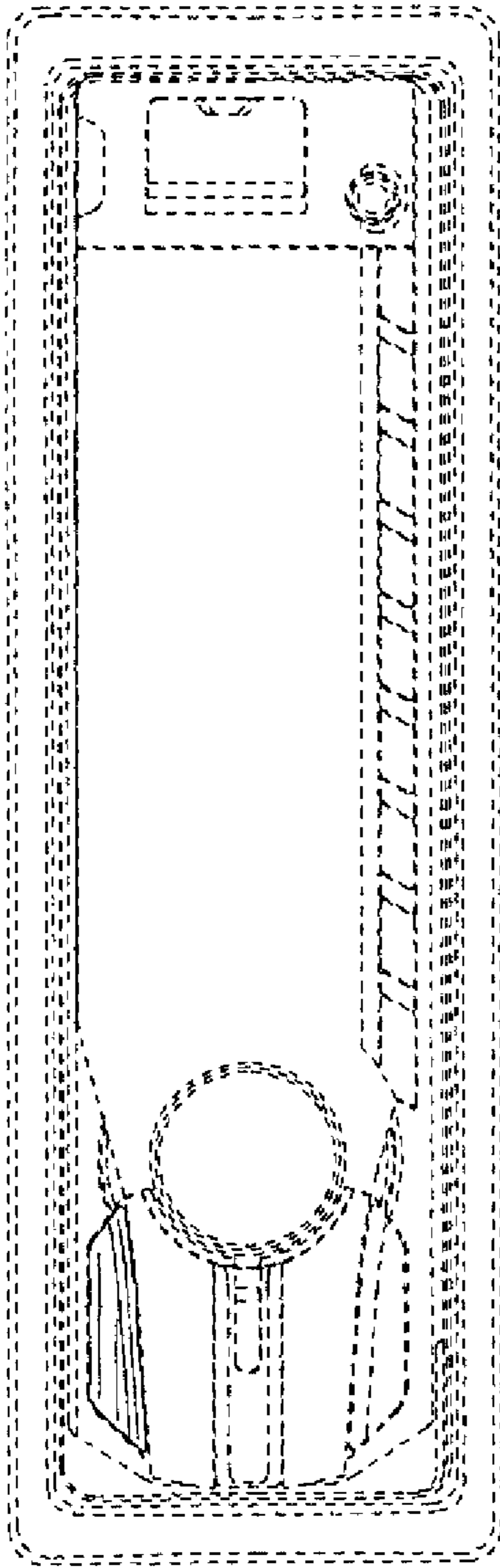


FIG. 2

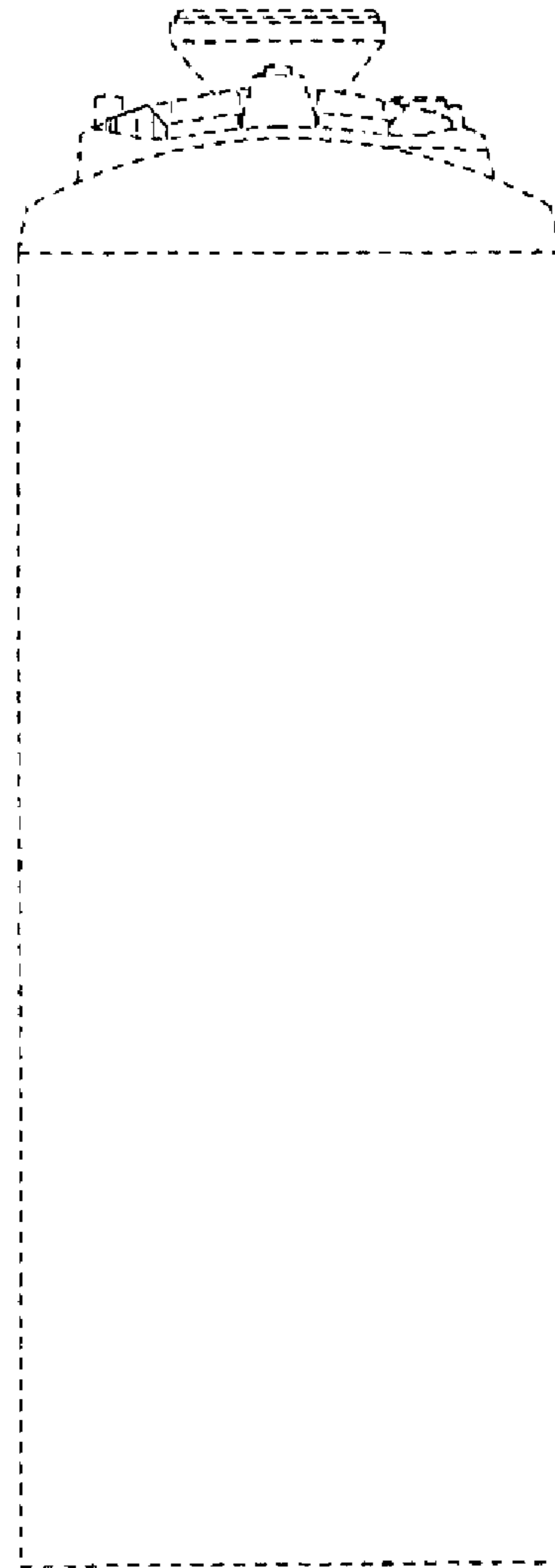


FIG. 3

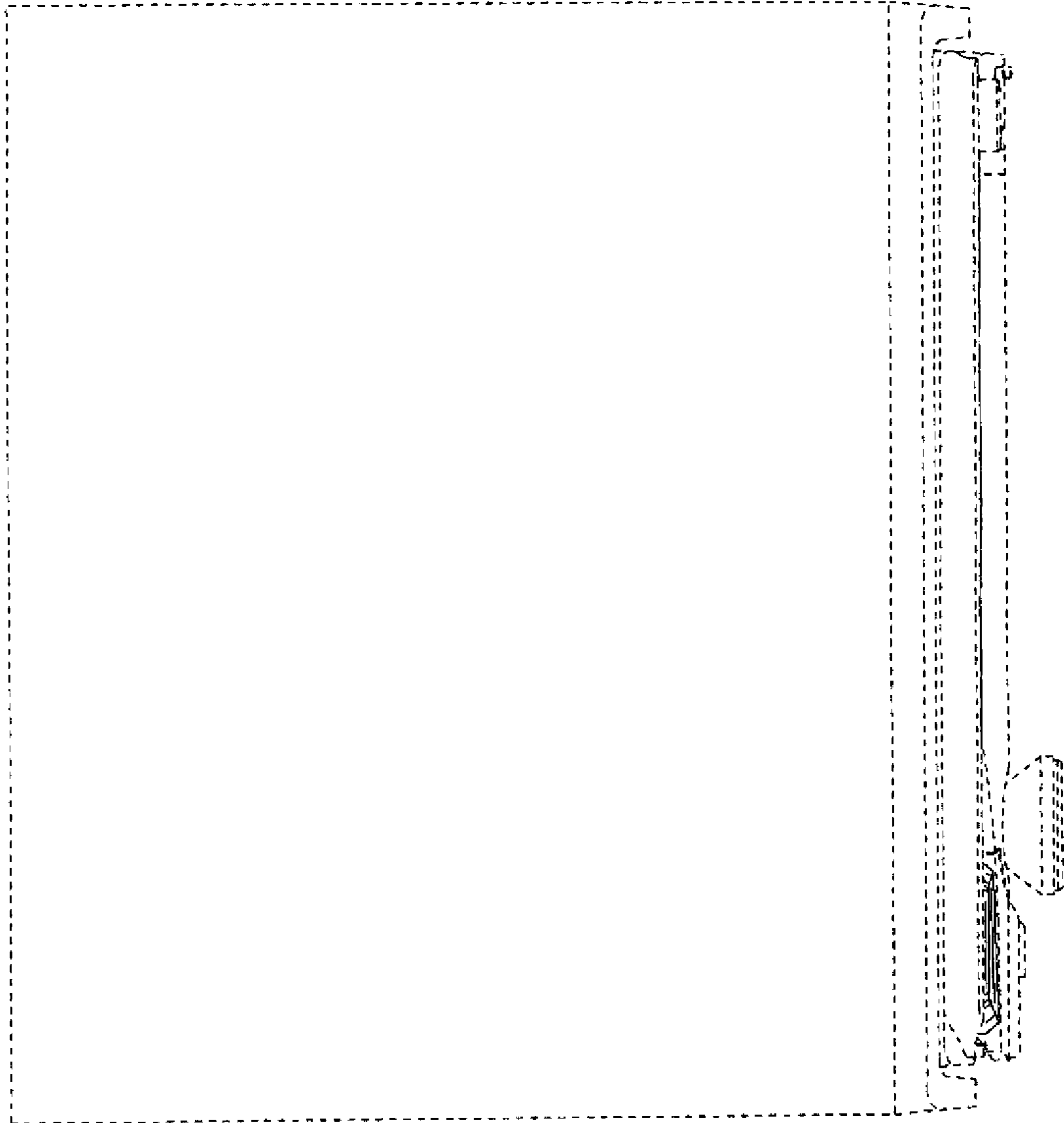


FIG.4